

United States Patent [19]
Pudwill

[11] **Patent Number: Des. 313,391**
[45] **Date of Patent: ** Jan. 1, 1991**

[54] **BATTERY PACK**
[75] **Inventor: Horst Pudwill, Kowloon, Hong Kong**
[73] **Assignee: International Consumer Brands, Inc., Trumbell, Conn.**
[**] **Term: 14 Years**
[21] **Appl. No.: 284,865**
[22] **Filed: Dec. 13, 1988**
[52] **U.S. Cl. D13/103**
[58] **Field of Search D13/8, 10, 4, 103, 119; 310/50; 320/27; 429/48, 54, 96, 97, 99, 121, 122, 160, 163, 176, 178, 187**

3,999,110 12/1976 Ramstrom et al. 310/50 X
4,751,452 6/1988 Kilmer et al. 310/50 X

Primary Examiner—Susan J. Lucas
Assistant Examiner—Joel Sincavage
Attorney, Agent, or Firm—Blum Kaplan

[57] **CLAIM**

The ornamental design for a battery pack, as shown and described.

DESCRIPTION

FIG. 1 is a perspective view of a battery pack showing my new design;
FIG. 2 is a left side elevational view thereof;
FIG. 3 is a right side elevational view thereof;
FIG. 4 is a back elevational view thereof;
FIG. 5 is a front elevational view thereof;
FIG. 6 is a top plan view thereof;
FIG. 7 is a bottom plan view thereof.

[56] **References Cited**
U.S. PATENT DOCUMENTS
D. 265,985 8/1982 House, II D13/4

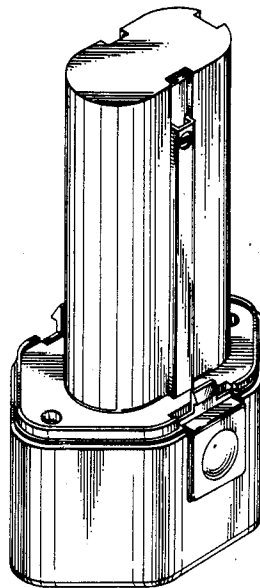
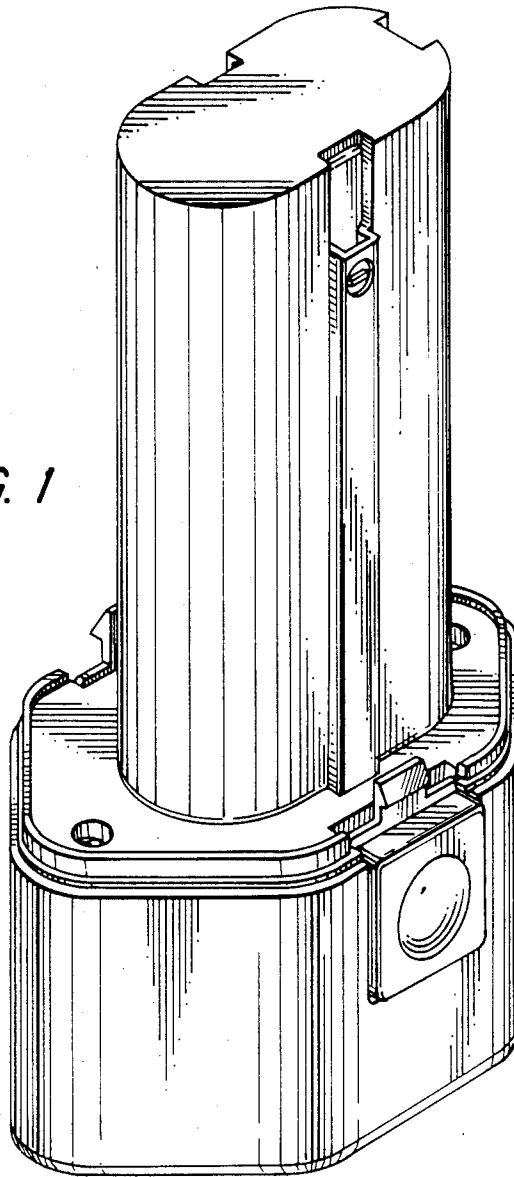


FIG. 1



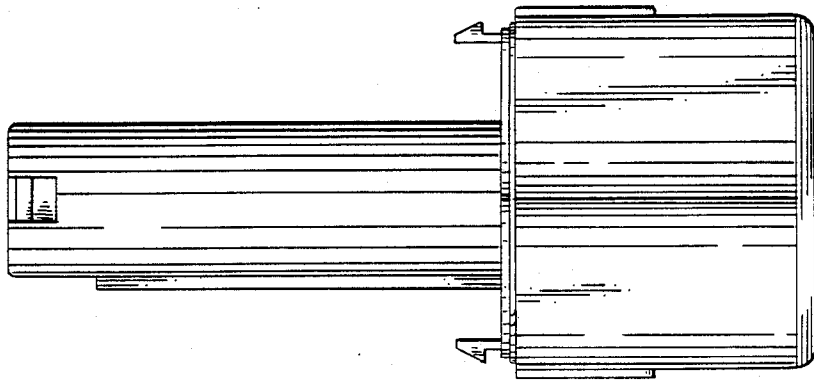


FIG. 4

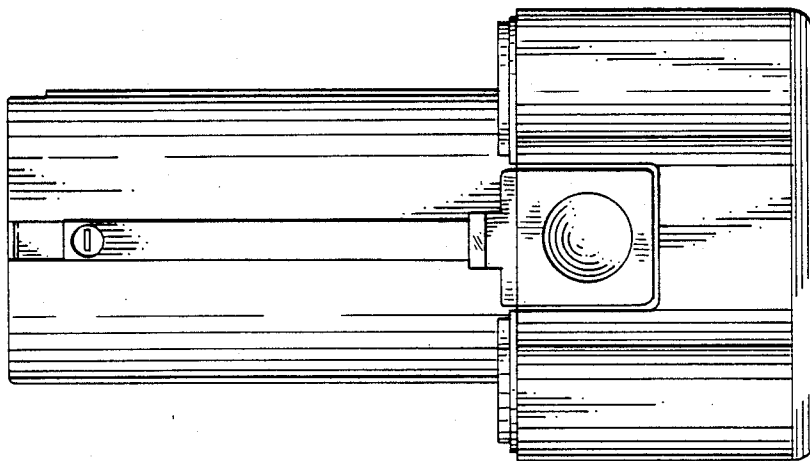


FIG. 3

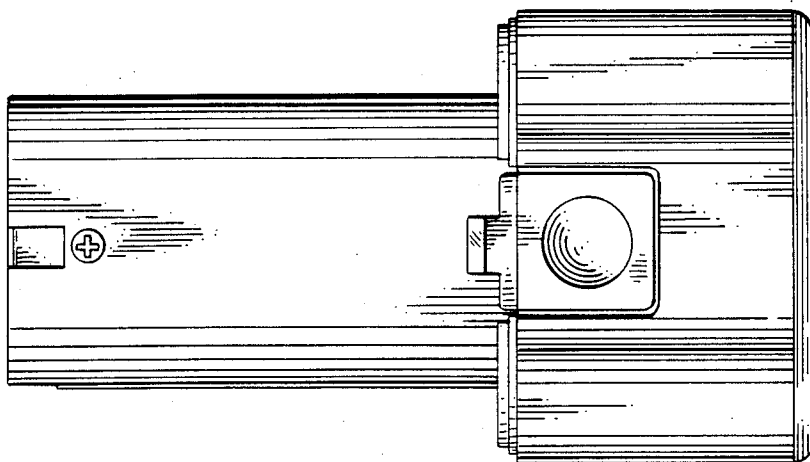


FIG. 2

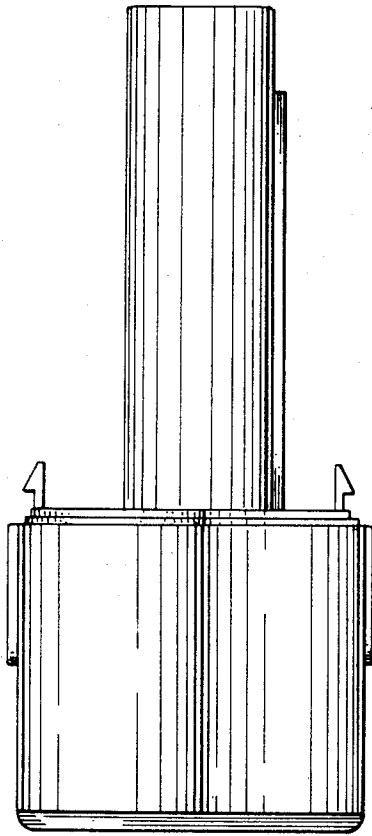


FIG. 5

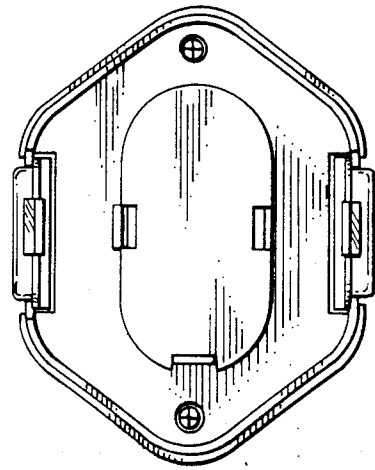


FIG. 6

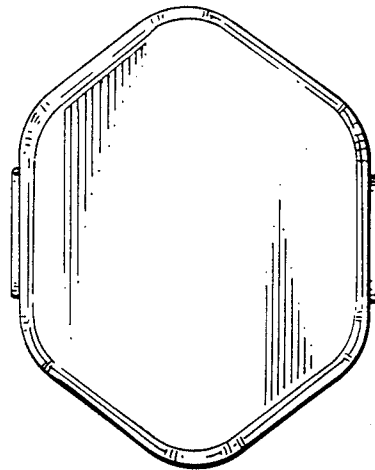


FIG. 7