



US00D660645S

(12) **United States Design Patent**  
**Zandona**

(10) **Patent No.:** **US D660,645 S**

(45) **Date of Patent:** **\*\* May 29, 2012**

(54) **TEA CAPSULE**

(75) Inventor: **Raffaele Zandona**, Vicenza (IT)

(73) Assignee: **Conopco, Inc.**, Englewood Cliffs, NJ  
(US)

(\*\*) Term: **14 Years**

(21) Appl. No.: **29/389,346**

(22) Filed: **Apr. 11, 2011**

(30) **Foreign Application Priority Data**

Oct. 29, 2010	(EM)	001775081-0001
Oct. 29, 2010	(EM)	001775081-0002
Oct. 29, 2010	(EM)	001775081-0003
Oct. 29, 2010	(EM)	001775081-0004
Oct. 29, 2010	(EM)	001775081-0005

(51) **LOC (9) Cl.** ..... **07-01**

(52) **U.S. Cl.** ..... **D7/400; D7/667**

(58) **Field of Classification Search** ..... D7/400,  
D7/665-668; 99/495, 505-510; 100/113,  
100/116, 213, 110, 127, 248; 210/464, 470-478,  
210/497.1, 498

See application file for complete search history.

(56) **References Cited**

U.S. PATENT DOCUMENTS

D255,751 S	*	7/1980	Daenen	.....	D7/667
D256,079 S	*	7/1980	Moncrief	.....	D7/400
D340,382 S	*	10/1993	Bannigan	.....	D7/400
D391,440 S	*	3/1998	Cousins	.....	D7/360
D513,942 S	*	1/2006	de Groote	.....	D7/665
D560,444 S	*	1/2008	Chan	.....	D7/667
D598,717 S	*	8/2009	Jalet	.....	D7/667
D611,300 S	*	3/2010	Chen et al.	.....	D7/409
D625,772 S	*	10/2010	Olson et al.	.....	D23/207

\* cited by examiner

*Primary Examiner* — Terry Wallace

(74) *Attorney, Agent, or Firm* — Alan A. Bornstein

(57) **CLAIM**

The ornamental design for the tea capsule, as shown and described.

**DESCRIPTION**

FIG. 1 is a perspective view of a tea capsule showing my new design.

FIG. 2 is a side view thereof.

FIG. 3 is an opposite side view thereof.

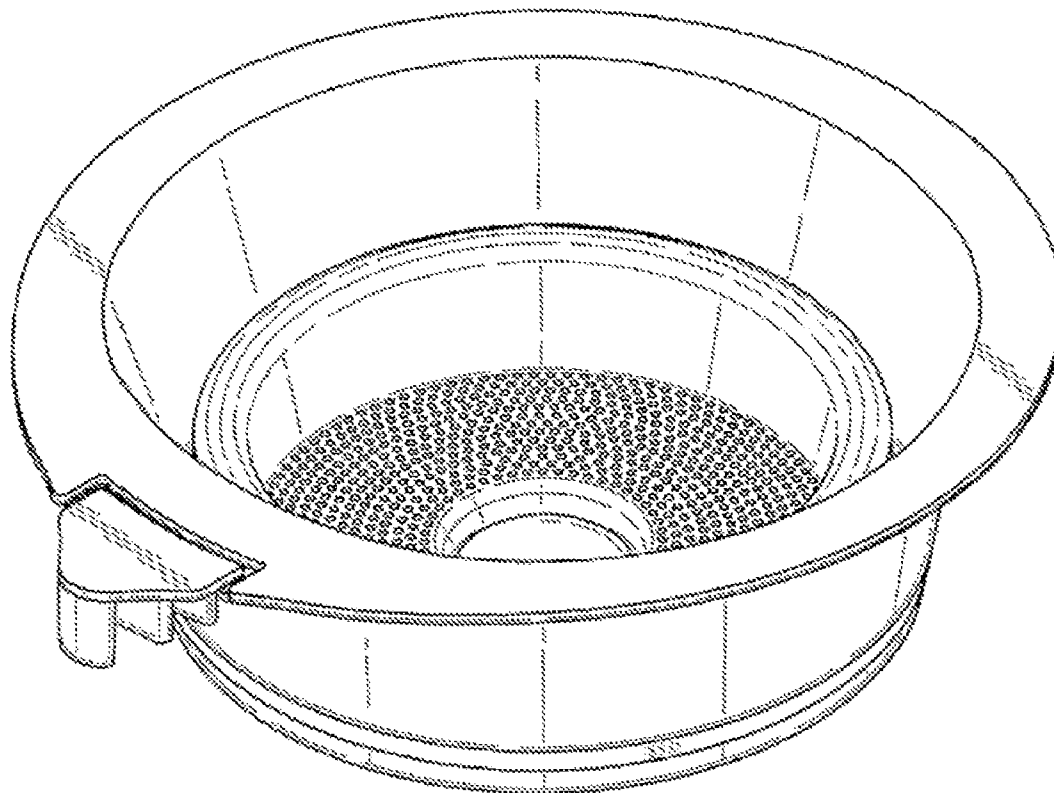
FIG. 4 is a front view thereof.

FIG. 5 is a rear view thereof.

FIG. 6 is a top plan view thereof; and,

FIG. 7 is a bottom plan view thereof.

**1 Claim, 4 Drawing Sheets**



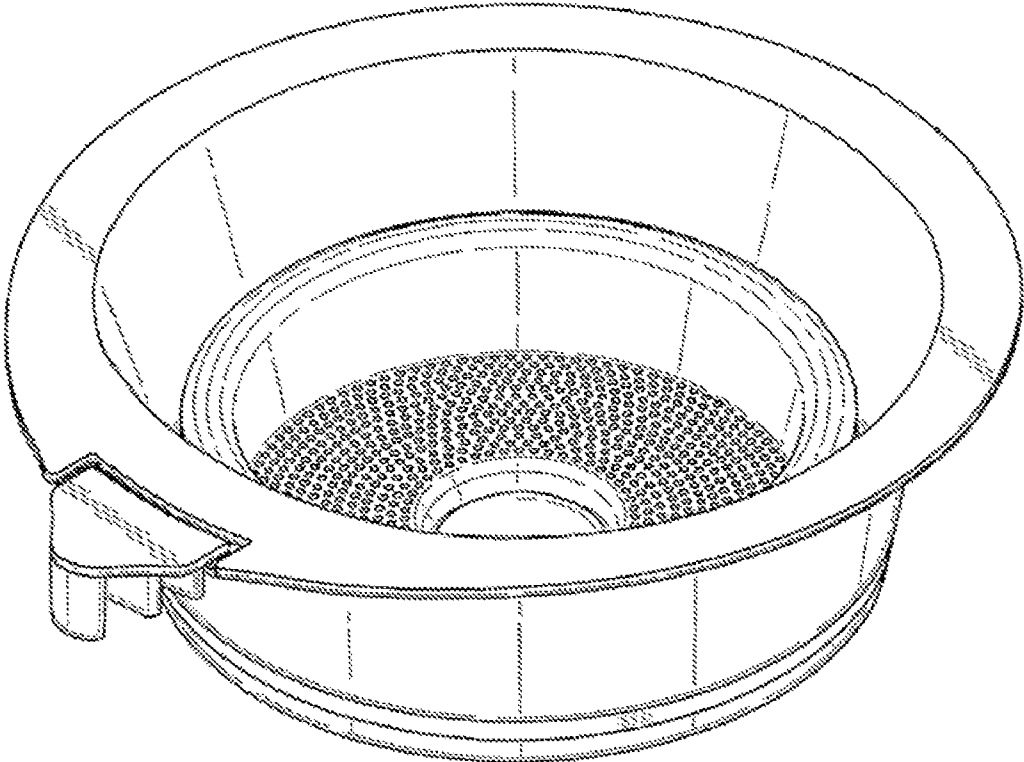


Fig. 1

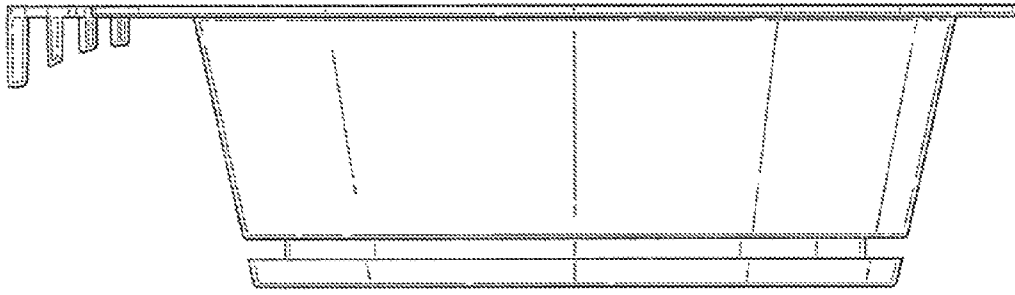


Fig. 2

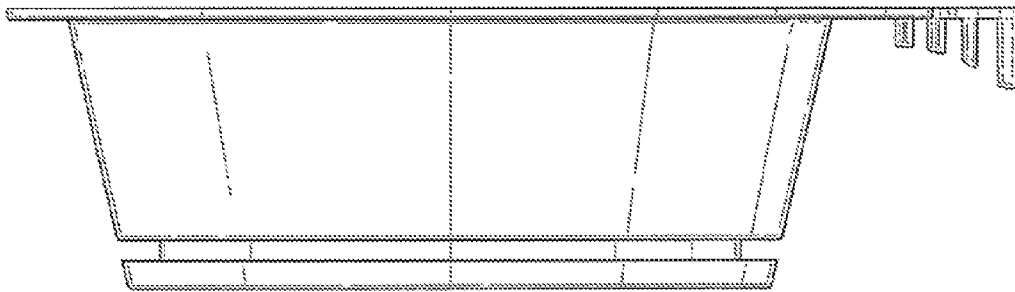


Fig. 3

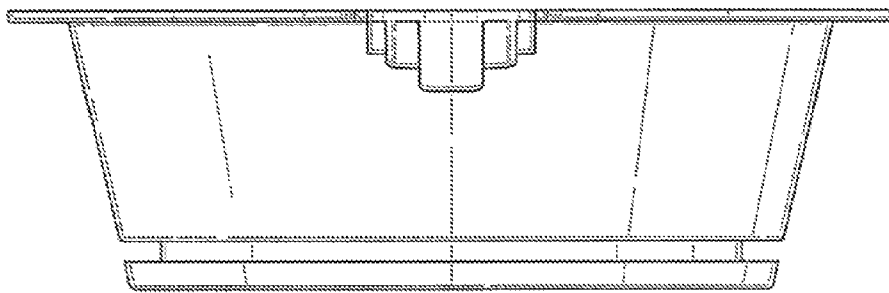


Fig. 4

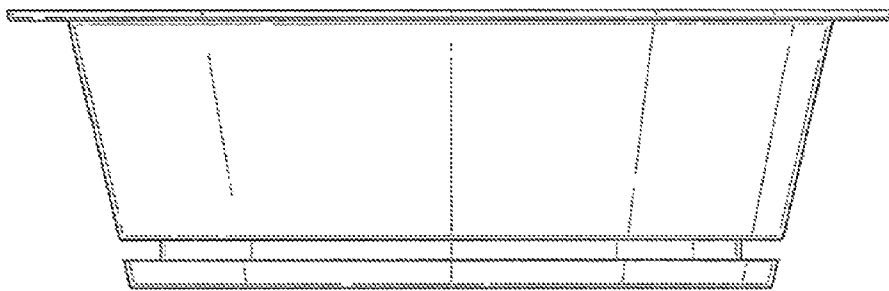


Fig. 5

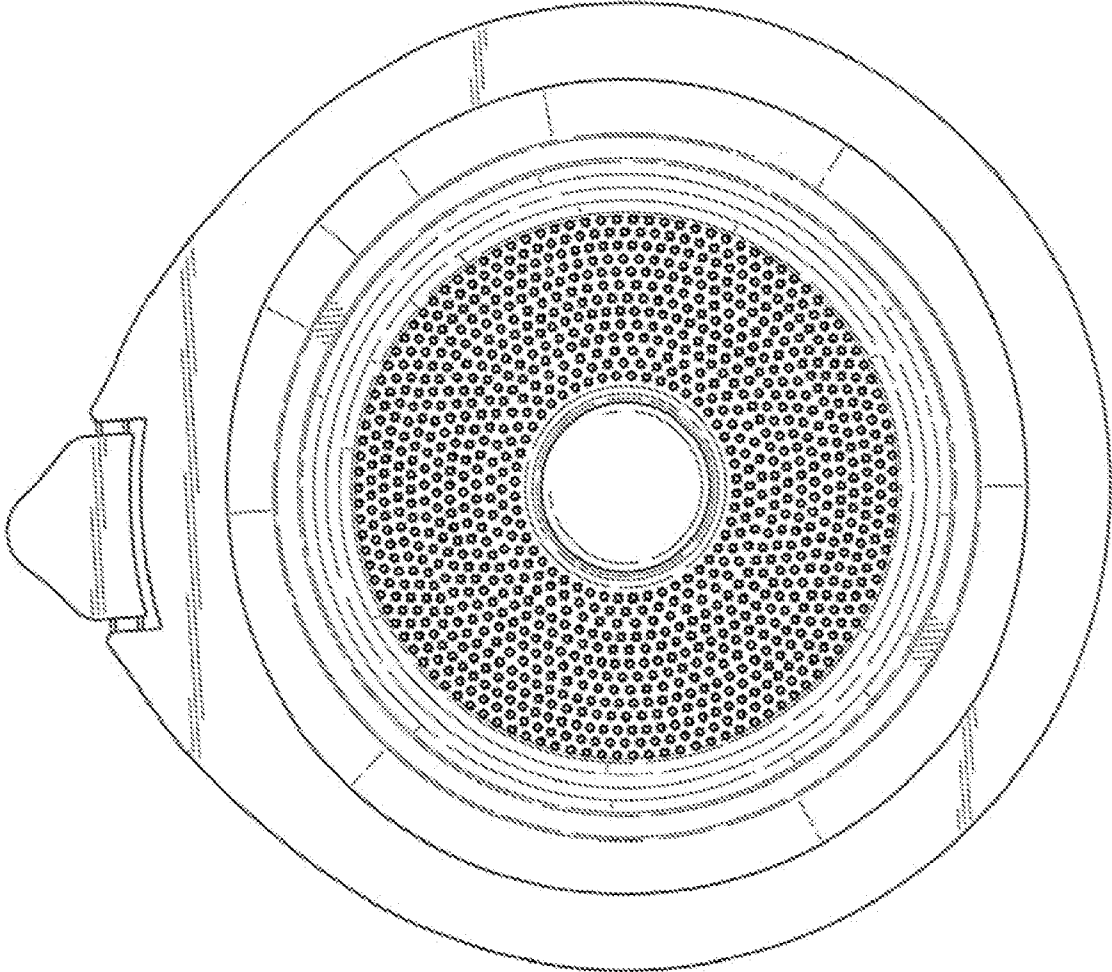


Fig. 6

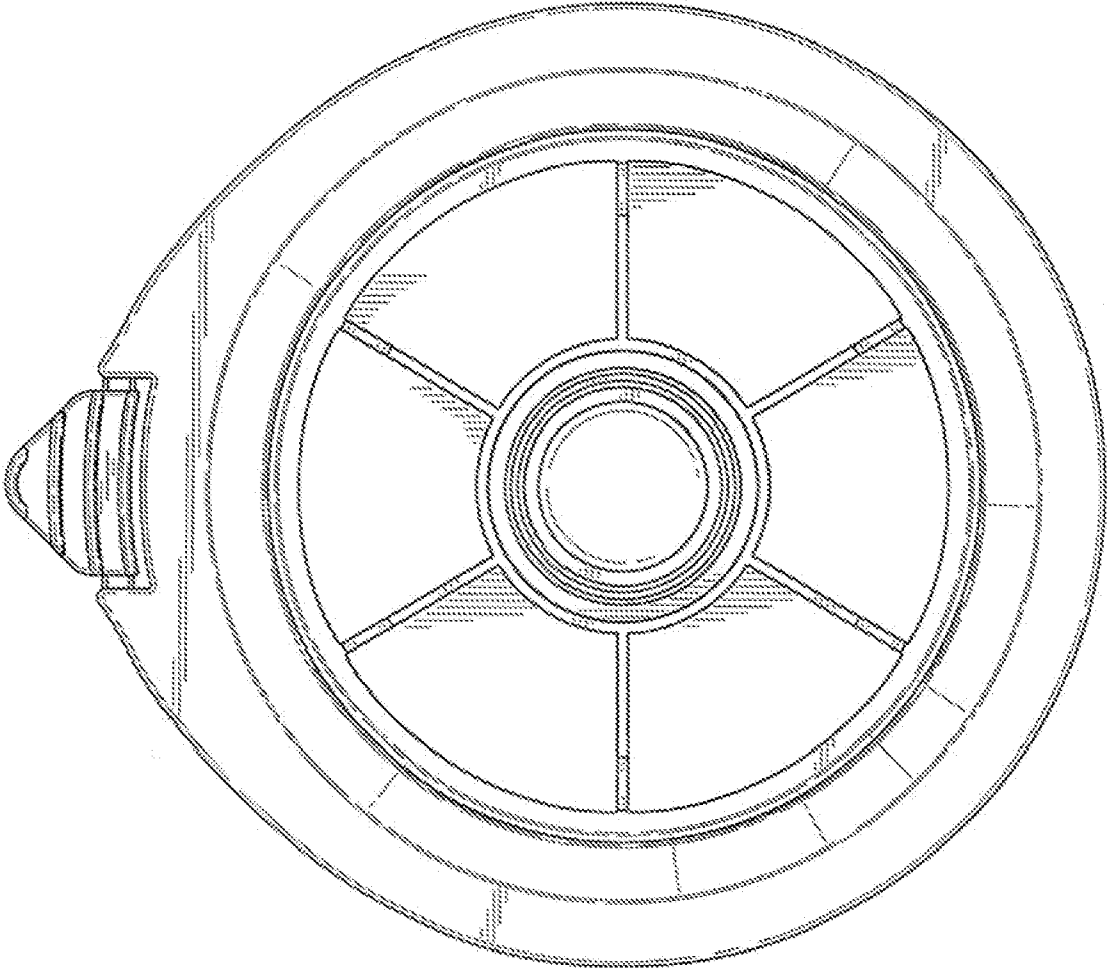


Fig. 7