



US00D811759S

(12) **United States Design Patent**
Woods

(10) **Patent No.:** **US D811,759 S**
(45) **Date of Patent:** **** Mar. 6, 2018**

- (54) **FURNITURE SPINE UNIT WITH BISTRO TABLE**
- (71) Applicant: **Kimball International, Inc.**, Jasper, IN (US)
- (72) Inventor: **Donald Woods**, Celestine, IN (US)
- (73) Assignee: **Kimball International, Inc.**, Jasper, IN (US)
- (**) Term: **15 Years**
- (21) Appl. No.: **29/588,179**
- (22) Filed: **Dec. 19, 2016**
- (51) **LOC (11) Cl.** **06-01**
- (52) **U.S. Cl.**
USPC **D6/342**
- (58) **Field of Classification Search**
USPC D6/329, 332, 334, 335, 336, 338, 342, D6/374, 643, 641, 642, 686, 691.4, 702, D6/713, 714, 716, 716.1, 716.4, 698
CPC A47B 83/02; A47B 83/00; A47B 83/001; A47B 83/003; A47B 83/005; A47B 87/00; A47C 13/00; A47C 13/005; A47C 7/62; A47C 7/70; A47C 7/36; A47C 7/38; A47C 7/40
See application file for complete search history.

6,824,220	B1	11/2004	Davison	
D526,803	S *	8/2006	Lee	D6/381
7,347,493	B2	3/2008	Mulmed	
D566,980	S *	4/2008	Mourgue	D6/381
D567,526	S *	4/2008	Williams	D6/381
D589,283	S	3/2009	Stangdell	
D624,328	S	9/2010	Grandin et al.	
D639,083	S *	6/2011	Martin	D6/381
D644,456	S *	9/2011	Martin	D6/690
8,061,864	B2	11/2011	Metcalf et al.	
8,075,054	B2	12/2011	Smith	
D657,155	S	4/2012	Grandin et al.	
D661,112	S *	6/2012	Grandin	D6/332
8,283,812	B2	10/2012	Azancot et al.	
D675,453	S	2/2013	Blet et al.	
D675,459	S *	2/2013	Martin	D6/381
D677,477	S *	3/2013	Agati	D6/336

(Continued)

FOREIGN PATENT DOCUMENTS

CN	202636171	1/2013
GB	2497773	6/2013
KR	20140120438	10/2014

Primary Examiner — Deanna L Pratt
(74) *Attorney, Agent, or Firm* — Faegre Baker Daniels LLP

(57) **CLAIM**

The ornamental design for a furniture spine unit with bistro table, as shown and described.

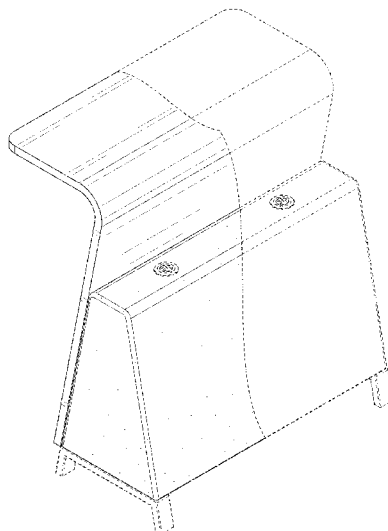
DESCRIPTION

FIG. 1 is a front perspective view of a furniture spine unit with bistro table of my new design;
FIG. 2 is a front view thereof;
FIG. 3 is a rear view thereof;
FIG. 4 is a side view thereof; and,
FIG. 5 is a top view thereof.
Features shown in broken lines form no part of the claimed design.

1 Claim, 5 Drawing Sheets

(56) **References Cited**
U.S. PATENT DOCUMENTS

D92,703	S	7/1934	Crego	
D225,818	S *	1/1973	Torrey	D6/716.4
D264,027	S *	4/1982	Aronowitz	D6/364
4,374,354	A	2/1983	Petrovic et al.	
D360,311	S *	7/1995	Stamberg	D6/334
D430,763	S	9/2000	Scheffer	
D457,359	S	5/2002	Chan	
6,447,067	B1 *	9/2002	Williams	A47C 4/021 297/184.11
D476,819	S *	7/2003	Williams	D6/334



(56)

References Cited

U.S. PATENT DOCUMENTS

D680,762	S *	4/2013	Nagata	D6/335
8,421,407	B2	4/2013	Johnson	
D688,475	S	8/2013	Blet et al.	
D690,118	S *	9/2013	Grandin	D6/332
8,528,972	B2	9/2013	Johnson	
8,536,737	B2	9/2013	Azancot et al.	
8,624,750	B2	1/2014	Azancot et al.	
8,625,255	B2	1/2014	Linnane et al.	
D699,456	S	2/2014	Bosman	
D699,457	S	2/2014	Bosman	
D699,461	S *	2/2014	Bosman	D6/371
8,721,000	B2 *	5/2014	Nguyen	A47C 7/402 297/158.1
8,857,348	B2	10/2014	Gevaert et al.	
D731,216	S *	6/2015	Sorel	D6/690
D739,156	S	9/2015	Webb	
D740,039	S *	10/2015	Bouroullec	D6/335
D743,181	S	11/2015	Cardona	
D743,712	S	11/2015	Behar et al.	
D761,029	S *	7/2016	Behar	D6/336
D761,048	S *	7/2016	Behar	D6/716
D774,339	S *	12/2016	Parshad	D6/714
D787,206	S *	5/2017	Webb	D6/335
D794,344	S *	8/2017	MacAllen	D6/335
2004/0026998	A1	2/2004	Henriott et al.	
2012/0119629	A1	5/2012	Nelson et al.	
2014/0054961	A1	2/2014	Metcalf et al.	
2014/0091638	A1	4/2014	Azancot et al.	
2014/0118892	A1	5/2014	Makwinski et al.	
2015/0091389	A1	4/2015	Byrne et al.	
2015/0091522	A1	4/2015	Byrne et al.	

* cited by examiner

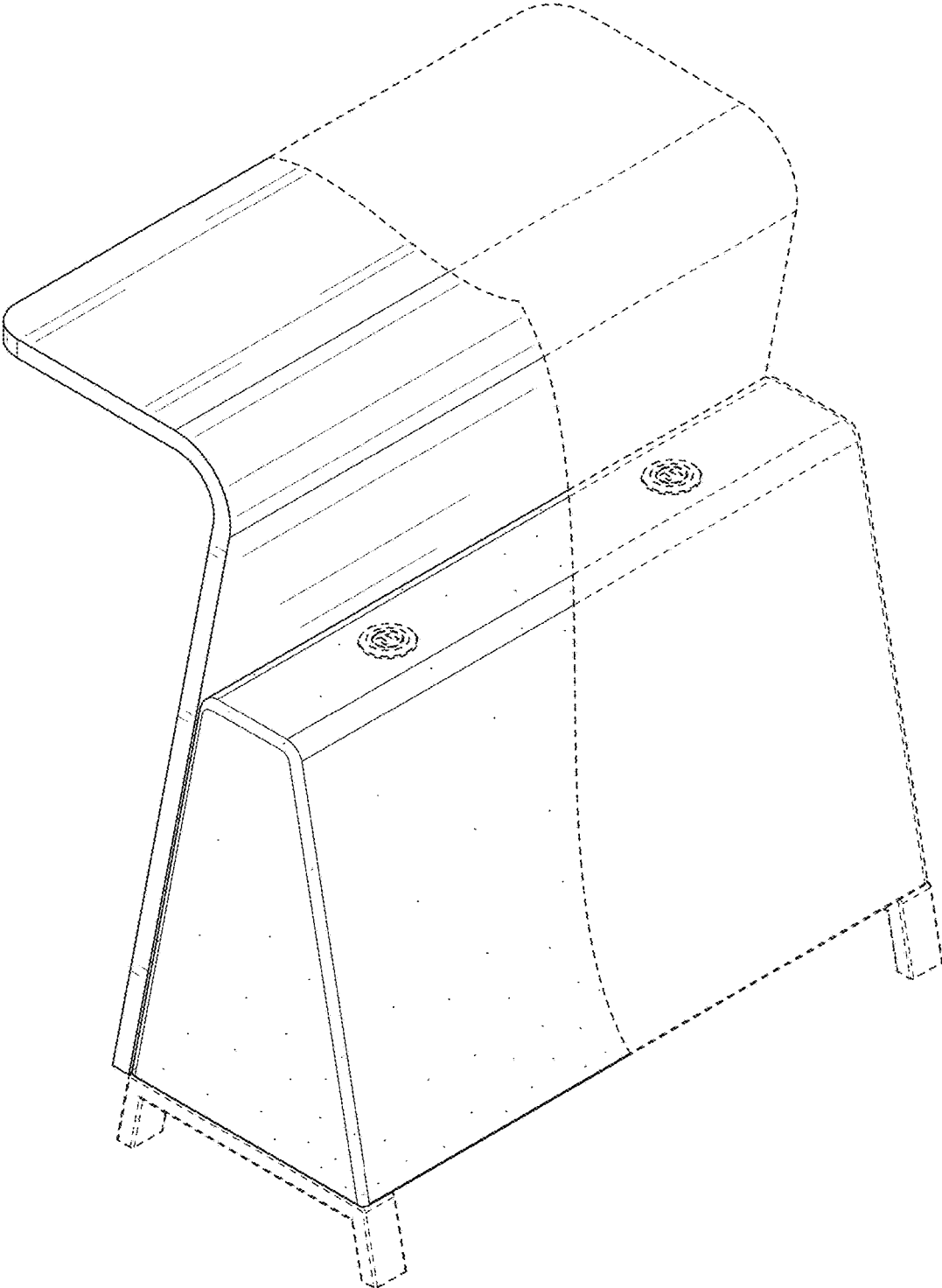


FIG. 1

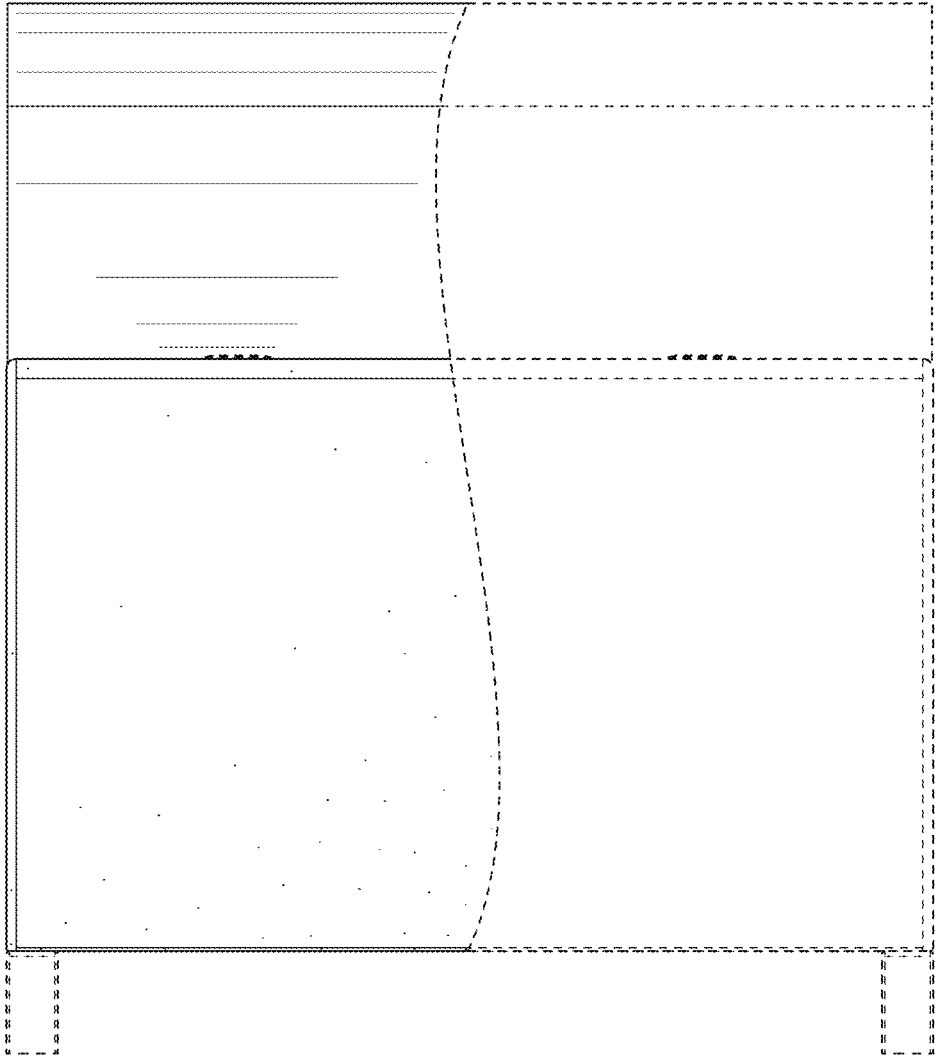


FIG. 2

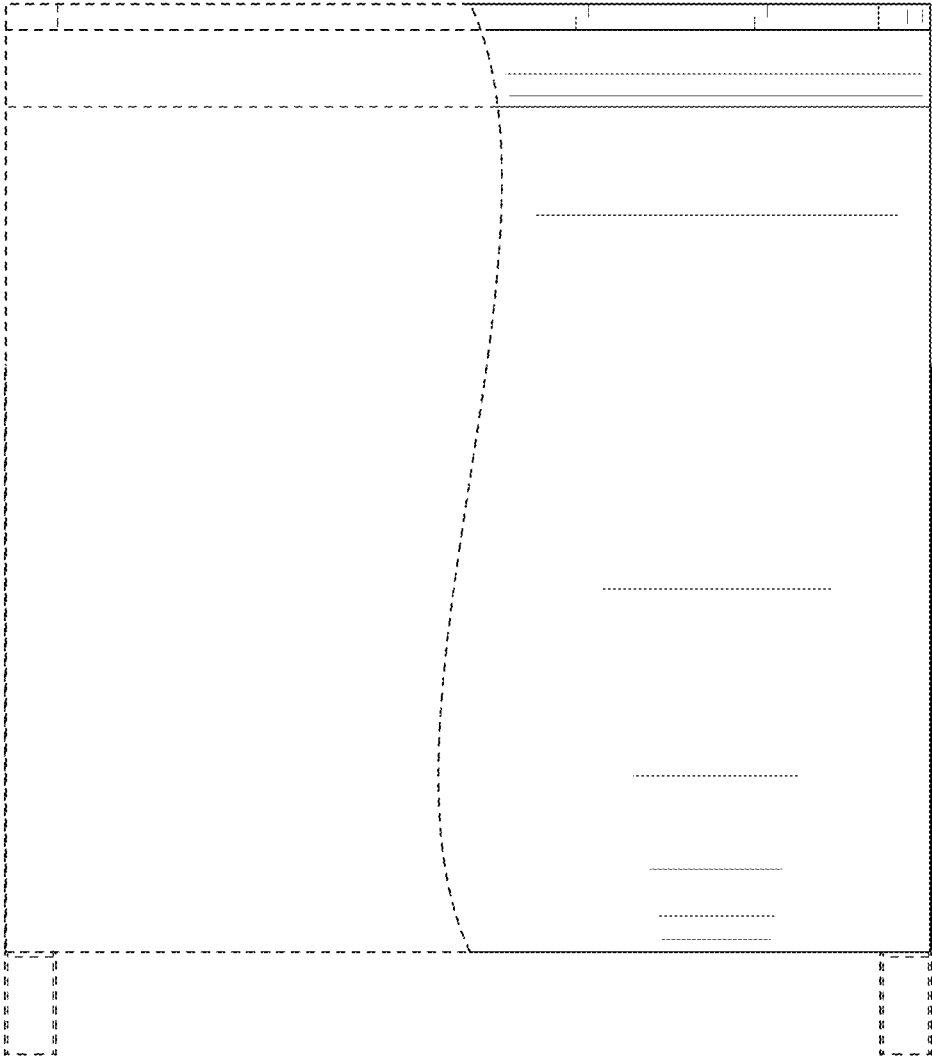


FIG. 3

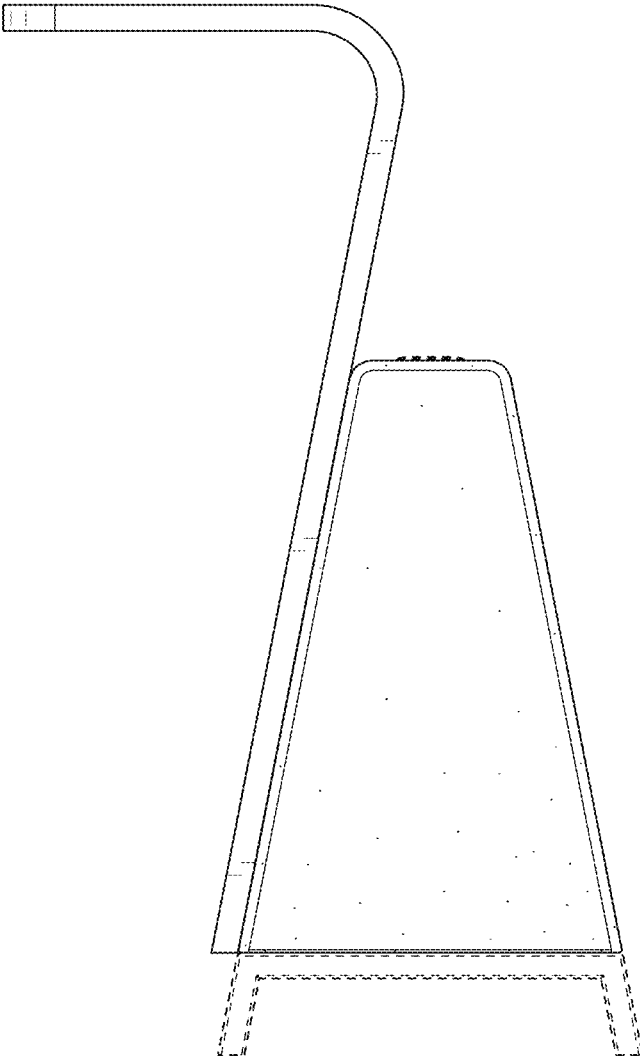


FIG. 4

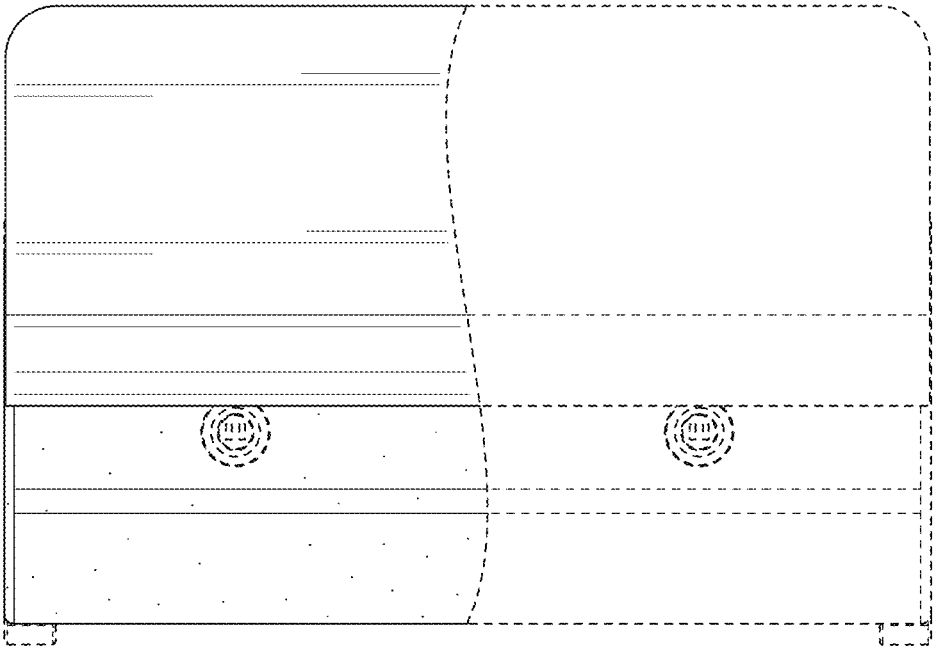


FIG. 5