



US00D915083S

(12) **United States Design Patent**
He

(10) **Patent No.:** **US D915,083 S**

(45) **Date of Patent:** **** Apr. 6, 2021**

(54) **FITTING MIRROR**

(71) Applicant: **Hong Kong LiveMe Corporation Limited**, Hong Kong (CN)

(72) Inventor: **Yandan He**, Beijing (CN)

(73) Assignee: **Hong Kong LiveMe Corporation Limited**, Hong Kong (CN)

(**) Term: **15 Years**

(21) Appl. No.: **29/667,201**

(22) Filed: **Oct. 19, 2018**

(30) **Foreign Application Priority Data**

Apr. 28, 2018 (CN) 201830188973.1

(51) **LOC (13) Cl.** **06-07**

(52) **U.S. Cl.**
USPC **D6/300; D14/307**

(58) **Field of Classification Search**
USPC D6/300, 301, 308, 309, 310, 312;
D14/307

CPC A47F 2007/195
See application file for complete search history.

(56) **References Cited**

U.S. PATENT DOCUMENTS

D524,554 S * 7/2006 Schmitt D6/300
D525,438 S * 7/2006 Schmitt D6/300

D637,595 S * 5/2011 Mizusugi D14/307
D675,609 S * 2/2013 Ono D14/307
D717,785 S * 11/2014 Winston D14/307
D732,015 S * 6/2015 Alekhin D14/307
9,805,131 B2 * 10/2017 Cypher G06F 3/0488
D816,077 S * 4/2018 Benic D14/307
D886,096 S * 6/2020 Mangeot D14/307
2020/0219177 A1 * 7/2020 He H04L 29/06

FOREIGN PATENT DOCUMENTS

WO WO-2018005884 A1 * 1/2018 G06T 11/00

* cited by examiner

Primary Examiner — Deanna L Pratt

(74) *Attorney, Agent, or Firm* — Osha Bergman Watanabe & Burton LLP

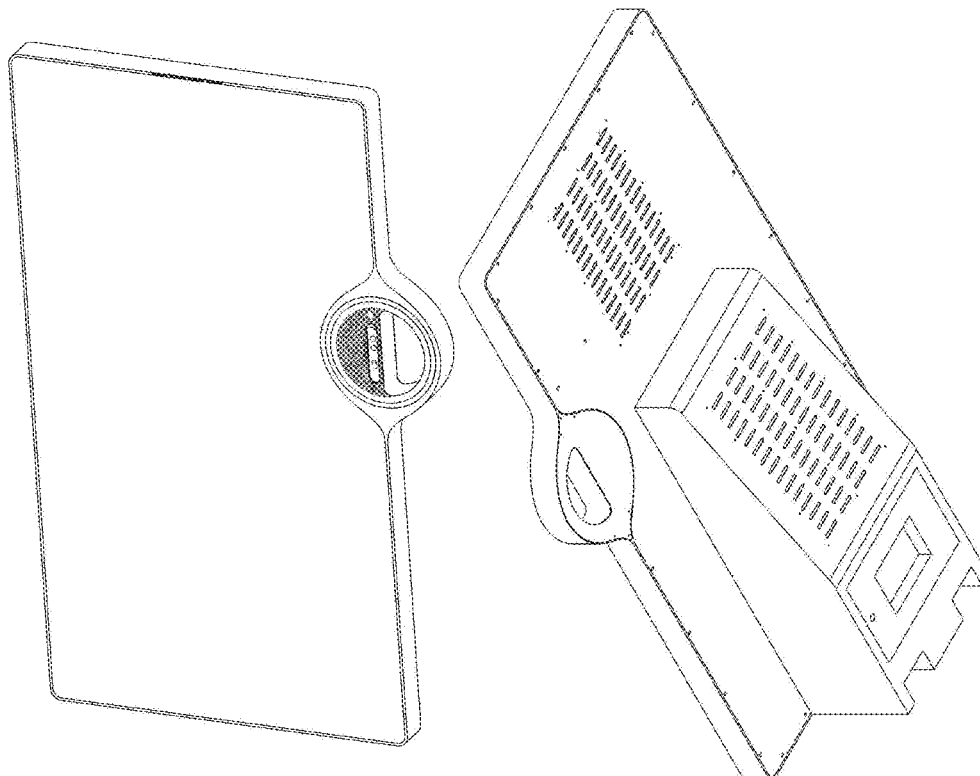
(57) **CLAIM**

The ornamental design for a fitting mirror, as shown and described.

DESCRIPTION

FIG. 1 is a front elevation view of an embodiment of a fitting mirror showing my new design;
FIG. 2 is a rear elevation view thereof;
FIG. 3 is a left side view thereof;
FIG. 4 is a right side view thereof;
FIG. 5 is a top plan view thereof;
FIG. 6 is a bottom plan view thereof;
FIG. 7 is a front perspective view thereof; and,
FIG. 8 is a rear perspective view thereof.

1 Claim, 7 Drawing Sheets



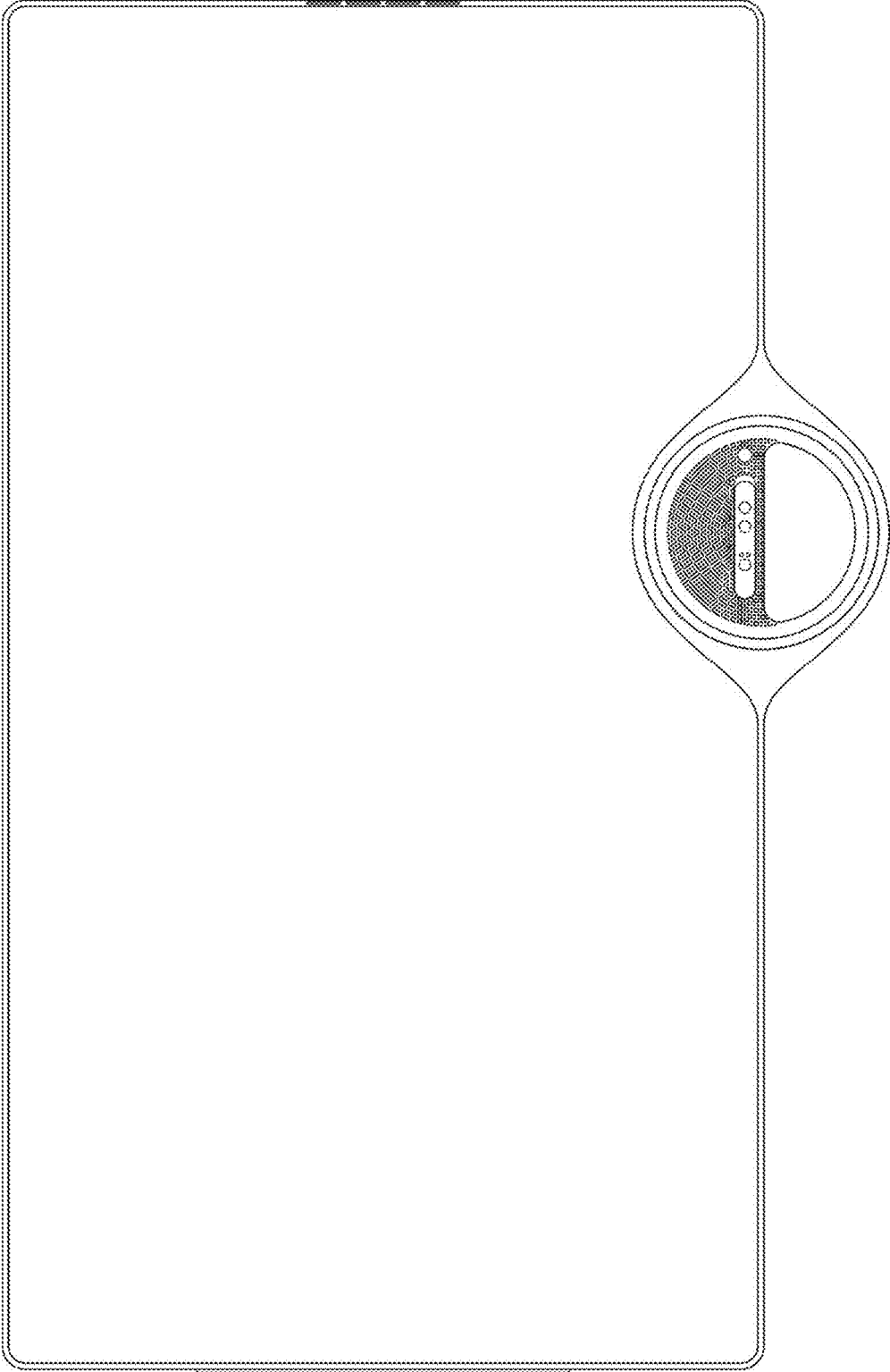


FIG. 1

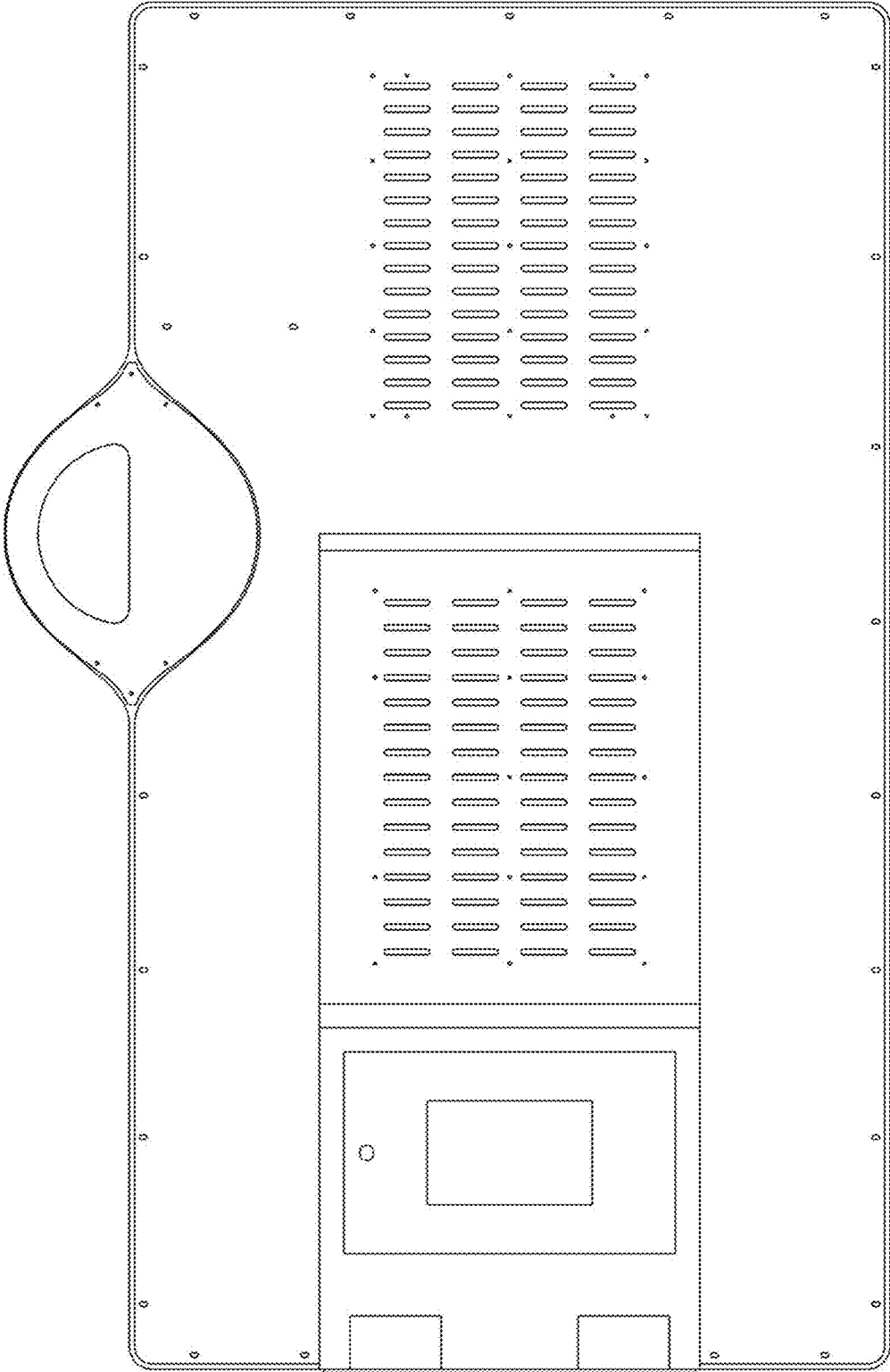


FIG. 2

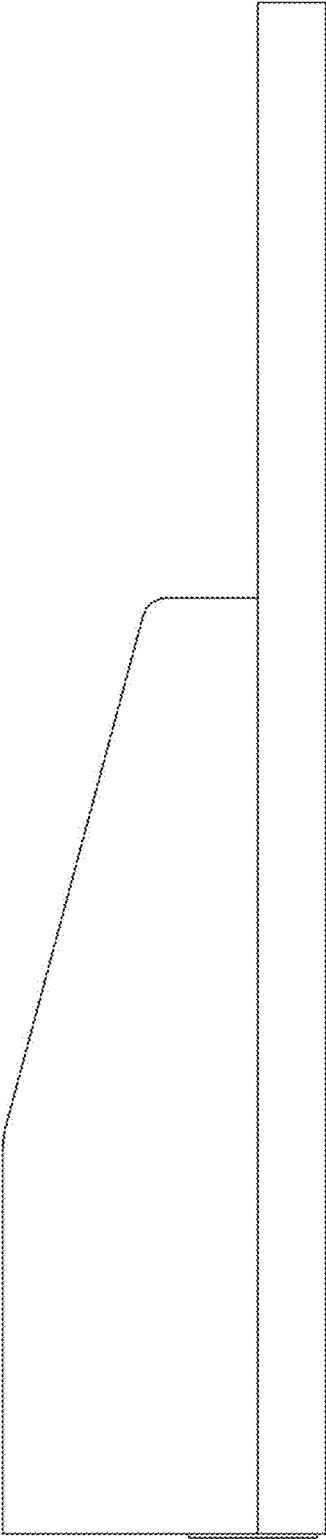


FIG. 3

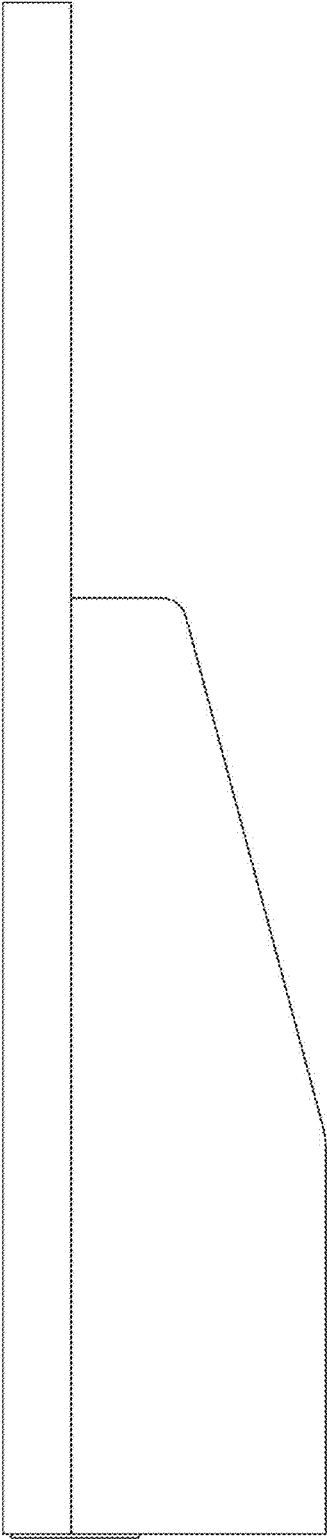


FIG. 4

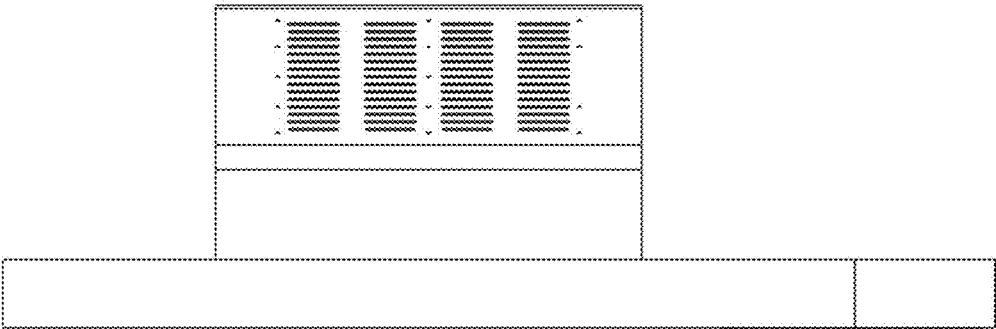


FIG. 5

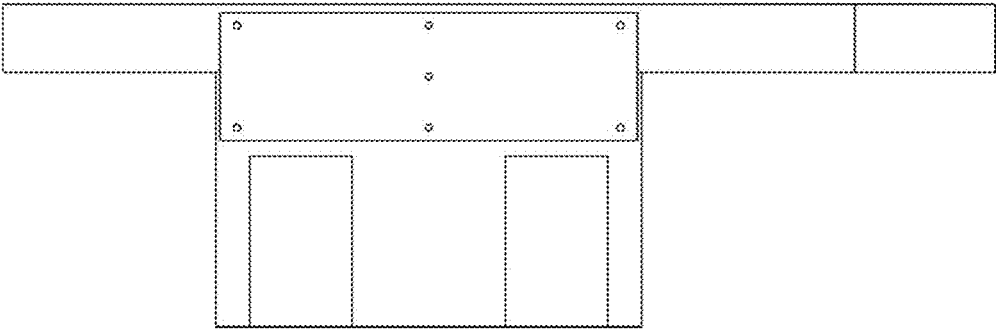


Fig. 6

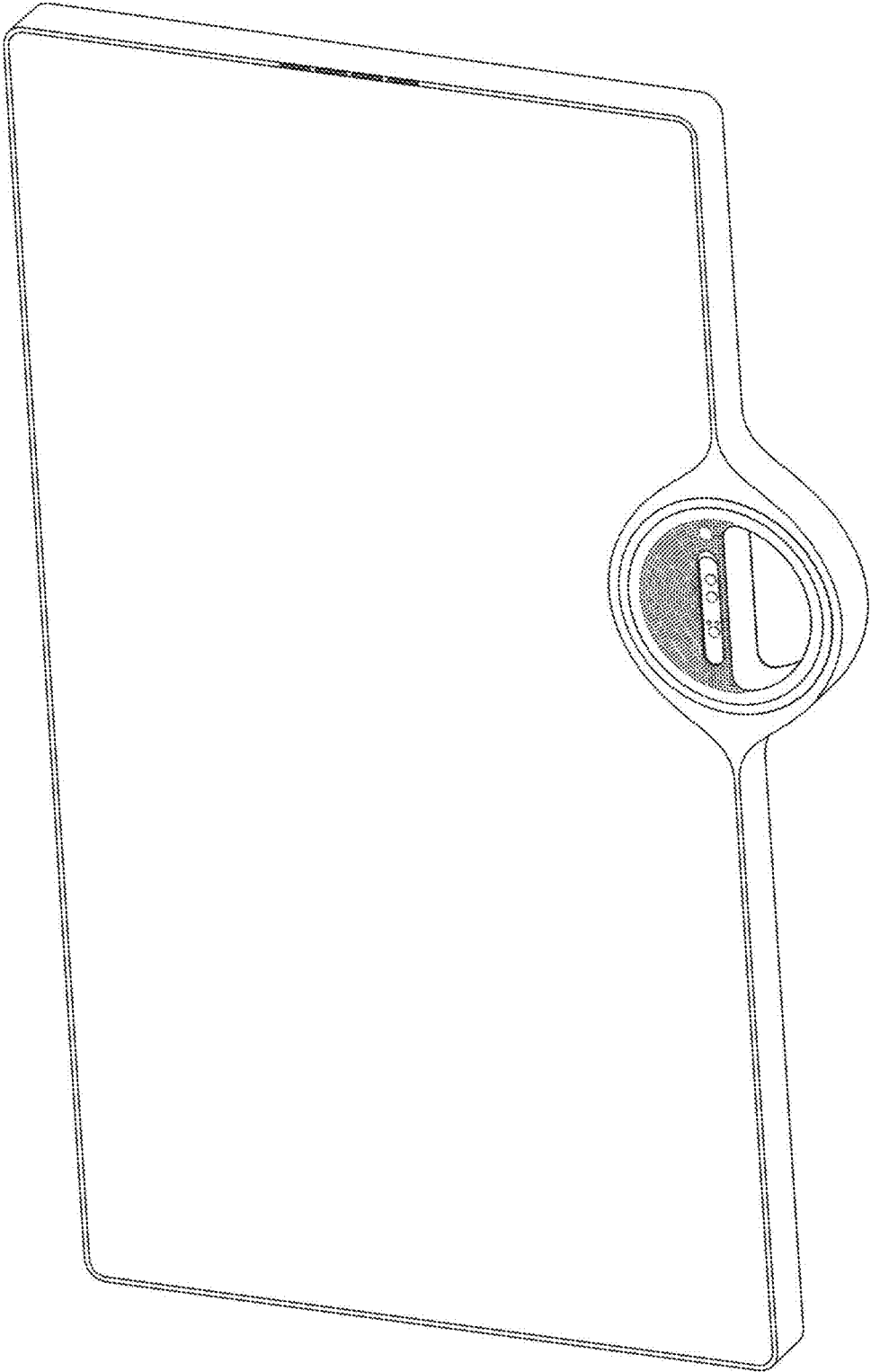


Fig. 7

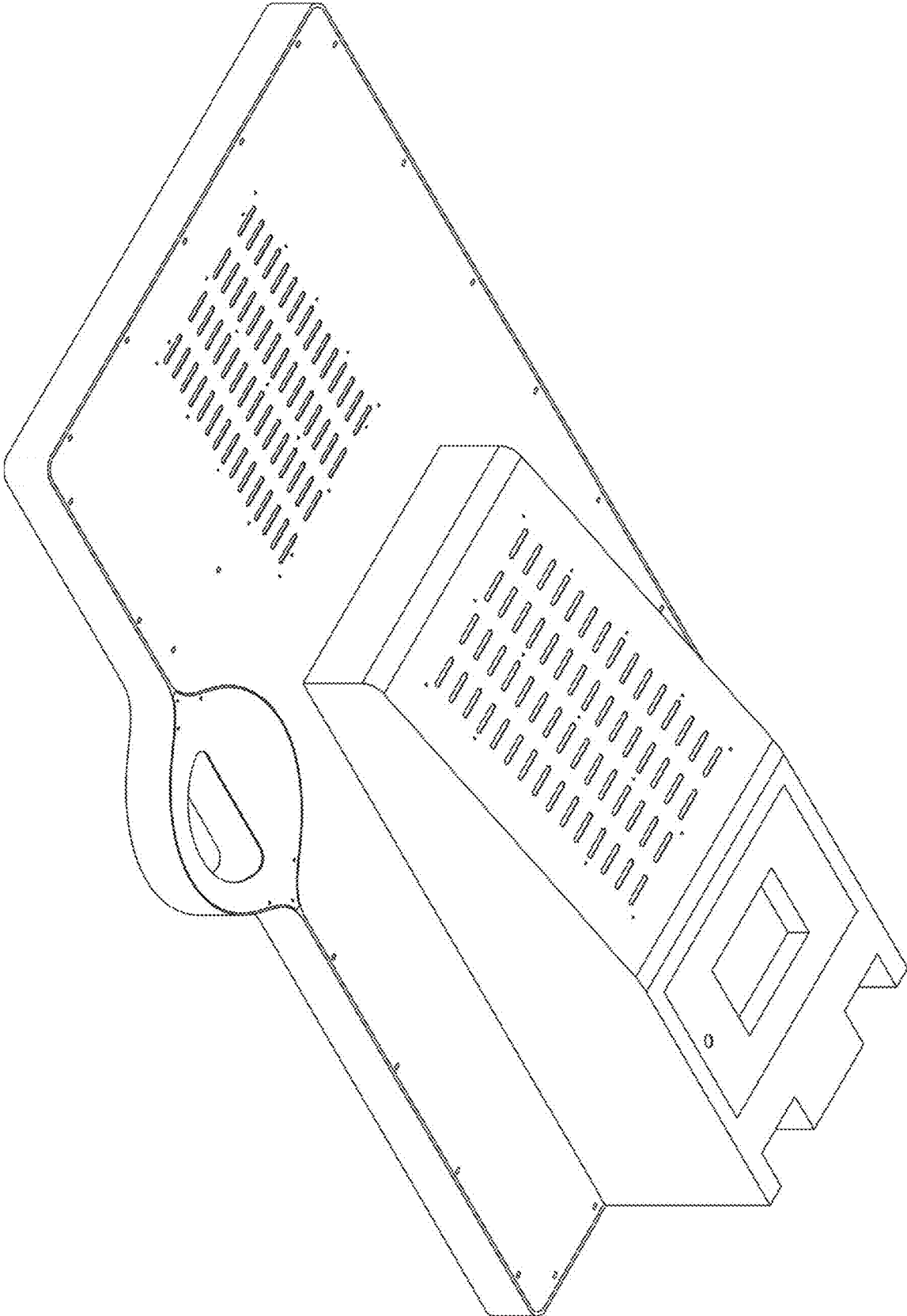


FIG. 8