



US00D824388S

(12) **United States Design Patent**  
**Fawcett et al.**

(10) **Patent No.:** **US D824,388 S**

(45) **Date of Patent:** **\*\* Jul. 31, 2018**

(54) **MAGNETIC CHARGING CABLE FOR A MOBILE DEVICE**

thetechhangout.com/2017/07/13/review-fuse-chicken-titan-plus-rivet-charge/>, retrieved Jun. 6, 2018.\*

(71) Applicant: **FUSE CHICKEN, LLC**, Cuyahoga Falls, OH (US)

*Primary Examiner* — Jeffrey D Asch  
*Assistant Examiner* — Rebekah A Caruso

(72) Inventors: **Jonathan Eric Fawcett**, Stow, OH (US); **Aaron Daniel Marshall**, Uniontown, OH (US); **Cory James Tederous**, Stow, OH (US)

(74) *Attorney, Agent, or Firm* — Christopher C. Dremann, P.C.; Christopher C. Dremann

(73) Assignee: **FUSE CHICKEN, LLC**, Cuyahoga Falls, OH (US)

(57) **CLAIM**

The ornamental design for a magnetic charging cable for a mobile device, as shown and described.

(\*\*) Term: **15 Years**

**DESCRIPTION**

(21) Appl. No.: **29/605,728**

(22) Filed: **May 30, 2017**

FIG. 1 is a perspective view of a first embodiment of a magnetic charging cable for a mobile device according to our design;

(51) **LOC (11) Cl.** ..... **14-02**

FIG. 2 is a front view of the magnetic charging cable of FIG. 1;

(52) **U.S. Cl.**

USPC ..... **D14/433**; D13/147

FIG. 3 is a rear view thereof;

(58) **Field of Classification Search**

USPC .... D14/432-437, 439, 217, 218, 223, 238.1,

D14/240, 242, 253, 356, 358; D13/103,

D13/110, 133, 146, 158, 184, 147, 153

CPC ..... H01R 31/00; H01R 31/06; H01R 31/065;

H01R 27/00; H01R 27/02; H01R 25/00;

H01R 25/003; H01R 25/006; G06F

1/1607; G06F 1/20

FIG. 4 is a right side view thereof;

FIG. 5 is a left side view thereof;

FIG. 6 is a top view thereof;

FIG. 7 is a bottom view thereof;

FIG. 8 is a perspective view of a second embodiment of a magnetic charging cable for a mobile device according to our design;

FIG. 9 is a front view of the magnetic charging cable of FIG. 8;

FIG. 10 is a rear view thereof;

FIG. 11 is a right side view thereof;

FIG. 12 is a left side view thereof;

FIG. 13 is a top view thereof; and,

FIG. 14 is a bottom view thereof.

Features of the magnetic charging cable that are shown in broken lines are for illustrative purposes and form no part of the claimed design.

The magnetic charging cable is shown with a symbolic break in its length. The appearance of any portion of the article between the break lines forms no part of the claimed design.

See application file for complete search history.

(56) **References Cited**

**U.S. PATENT DOCUMENTS**

D381,629 S \* 7/1997 Goto ..... D13/147

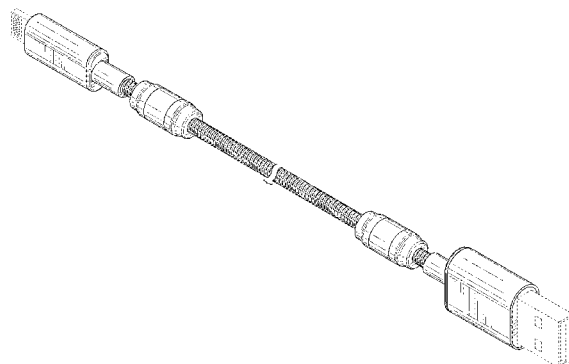
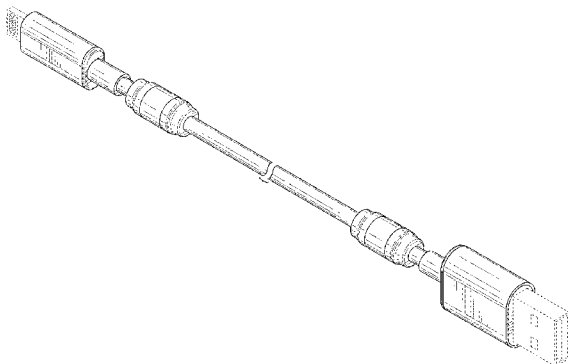
D449,275 S \* 10/2001 Goto ..... D13/147

(Continued)

**OTHER PUBLICATIONS**

Review: Fuse Chicken Titan Plus and Rivet Charge, Rivet Charge pictured therein, online, post date Jul. 13, 2017, <URL: https://

**1 Claim, 8 Drawing Sheets**



(56)

**References Cited**

## U.S. PATENT DOCUMENTS

D451,473	S	*	12/2001	Goto	.....	D13/147
6,461,192	B1	*	10/2002	Kwoka	.....	H01R 31/06 439/505
D549,660	S	*	8/2007	Zenri	.....	D13/147
D585,835	S	*	2/2009	Jaqua	.....	D13/147
D620,482	S	*	7/2010	Chen	.....	D14/225
D636,337	S	*	4/2011	Smith	.....	D13/147
8,043,122	B1	*	10/2011	Cho	.....	H01R 31/005 439/501
D692,390	S	*	10/2013	Smith	.....	D13/133
D738,312	S	*	9/2015	Bress	.....	D13/147
D748,460	S	*	2/2016	Byrne	.....	D8/381
D760,720	S	*	7/2016	Laffon de Mazieres	....	D14/433
D794,567	S	*	8/2017	Fries	.....	D13/133
D795,816	S	*	8/2017	He	.....	D13/153
D798,825	S	*	10/2017	Hahn	.....	D13/153
D800,731	S	*	10/2017	He	.....	D14/433
D804,291	S	*	12/2017	Fawcett	.....	D8/356

\* cited by examiner

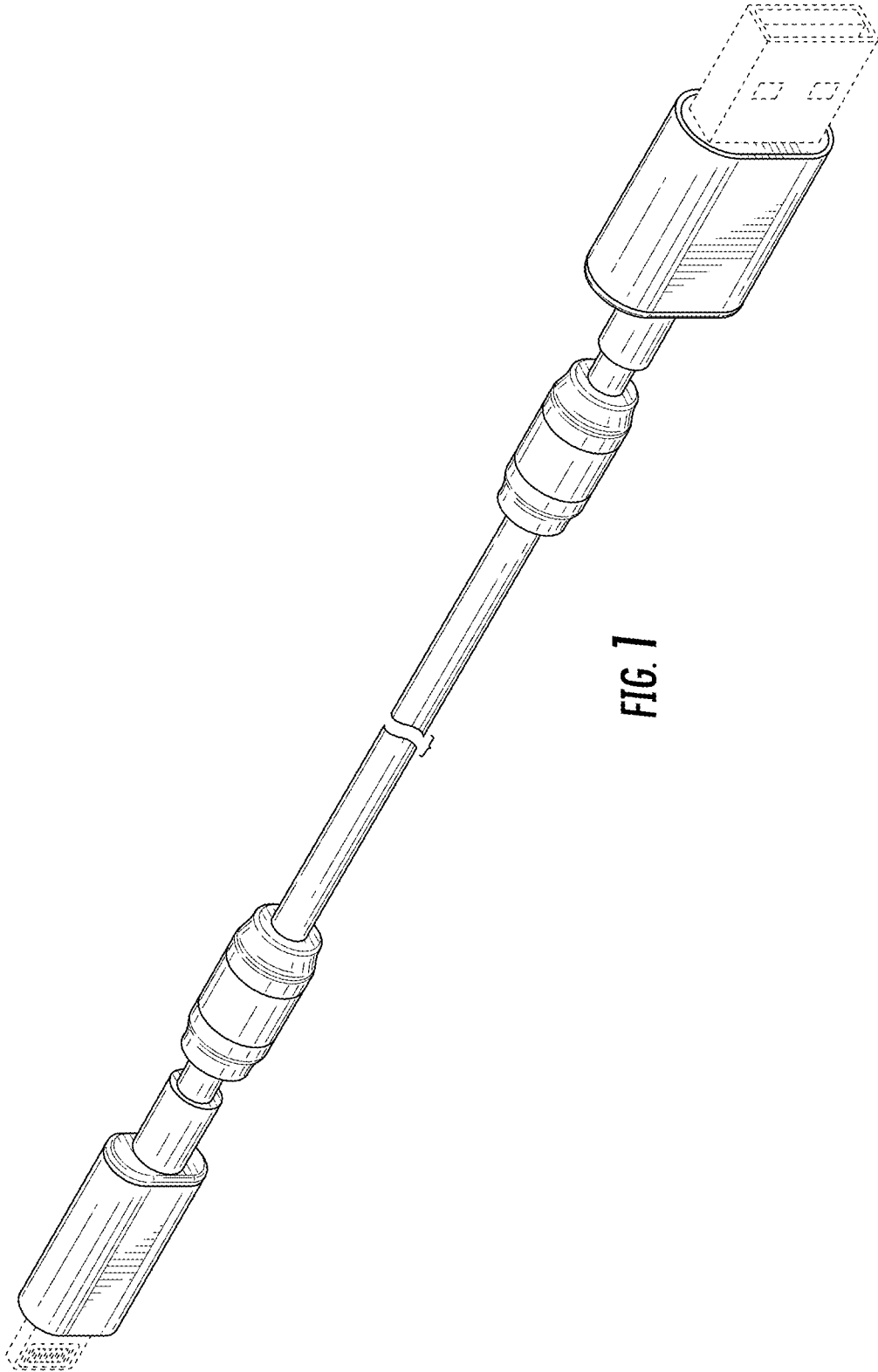


FIG. 1

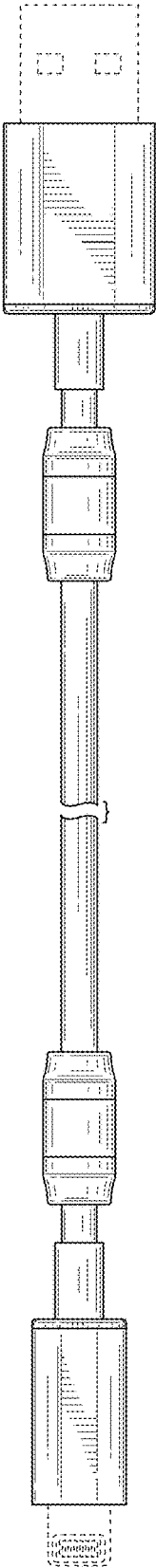


FIG. 2

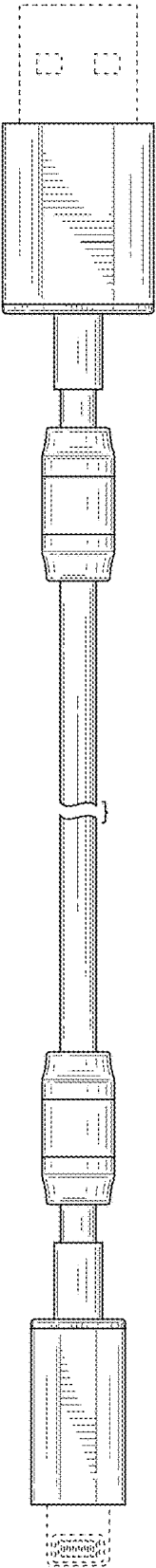


FIG. 3

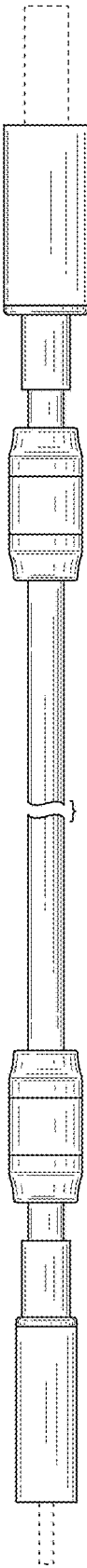


FIG. 4

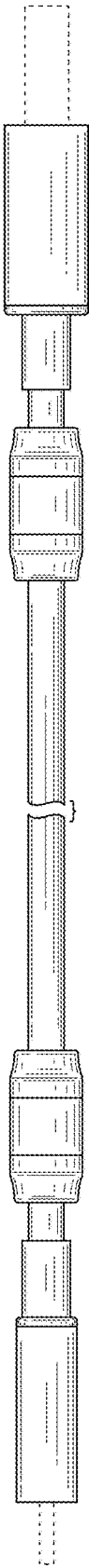
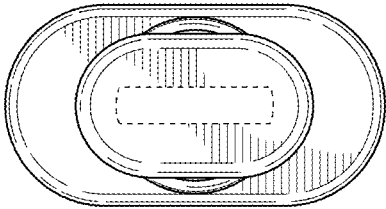
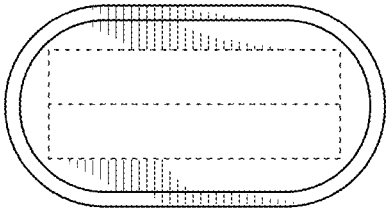


FIG. 5



**FIG. 7**



**FIG. 6**

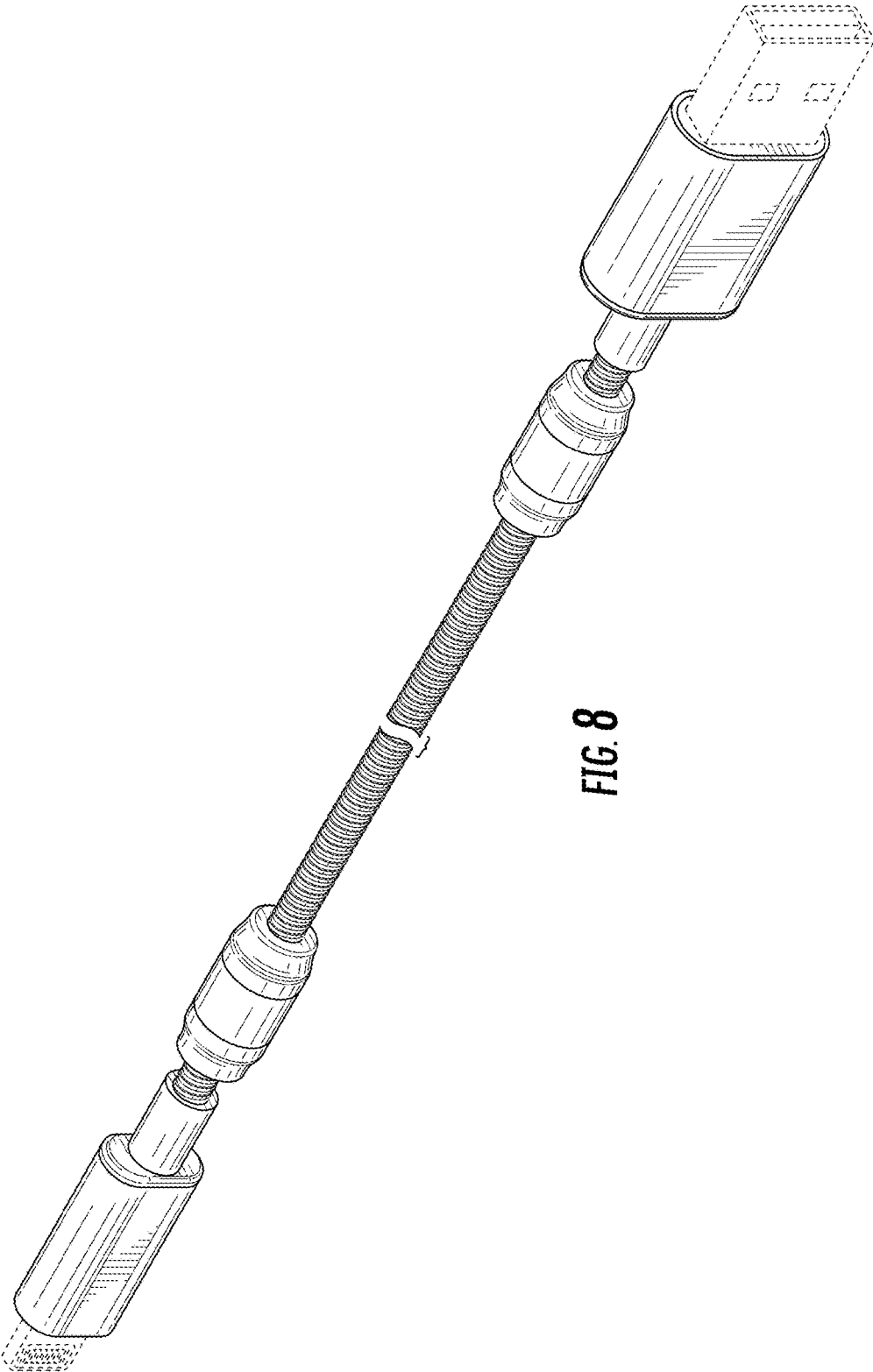


FIG. 8

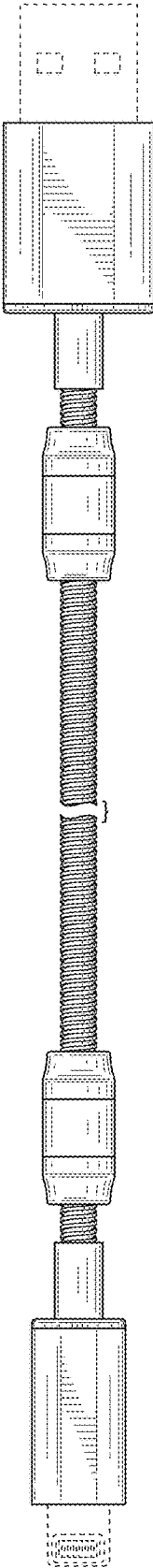


FIG. 9

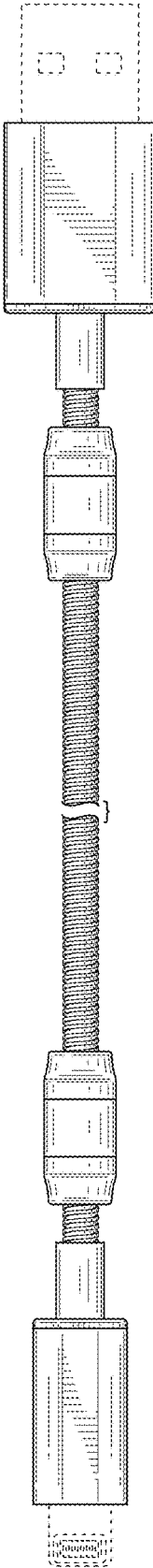


FIG. 10



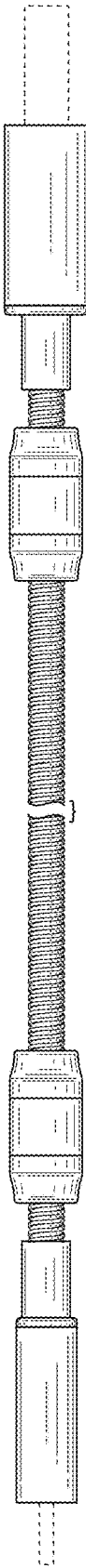


FIG. 11



FIG. 12

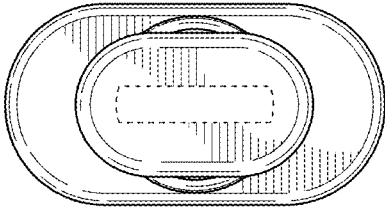


FIG. 14

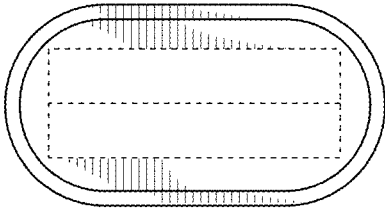


FIG. 13