



US00D711389S

(12) **United States Design Patent**  
**Sun et al.**

(10) **Patent No.:** **US D711,389 S**

(45) **Date of Patent:** **\*\* Aug. 19, 2014**

(54) **DUAL INTERFACE USB FLASH DRIVE**

(71) Applicant: **Biwin Storage Technology Limited,**  
Shenzhen (CN)

(72) Inventors: **Rixin Sun,** Shenzhen (CN); **Wei Lu,**  
Shenzhen (CN); **Zhenhua Li,** Shenzhen  
(CN); **Lin Hu,** Shenzhen (CN); **Yafei**  
**Wang,** Shenzhen (CN); **Zhaofeng Ju,**  
Shenzhen (CN); **Wenxue Zhao,**  
Shenzhen (CN)

(73) Assignee: **Biwin Storage Technology Limited,**  
Shenzhen (CN)

(\*\*) Term: **14 Years**

(21) Appl. No.: **29/457,764**

(22) Filed: **Jun. 12, 2013**

(30) **Foreign Application Priority Data**

Mar. 5, 2013 (CN) ..... 2013 3 0053435

(51) **LOC (10) Cl.** ..... **14-02**

(52) **U.S. Cl.**  
USPC ..... **D14/480.5**

(58) **Field of Classification Search**

CPC ..... H05K 5/0278; G06K 19/07732

USPC ..... D14/411, 433, 435.1, 436, 480.1–480.7,  
D14/484.1, 137, 155, 203.1–203.8, 240,  
D14/242; D13/133, 154

See application file for complete search history.

(56) **References Cited**

**U.S. PATENT DOCUMENTS**

D480,389 S \* 10/2003 Schulz et al. .... D14/240  
D500,302 S \* 12/2004 Deguchi ..... D14/480.4  
D506,471 S \* 6/2005 Iikura et al. .... D14/480.5

7,035,110 B1 \* 4/2006 Wang et al. .... 361/737  
D527,384 S \* 8/2006 Lee et al. .... D14/480.5  
D527,734 S \* 9/2006 Lee et al. .... D14/480.5  
D551,666 S \* 9/2007 Mattes et al. .... D14/480.5  
7,503,780 B1 \* 3/2009 Huang ..... 439/135  
7,679,008 B2 \* 3/2010 Lee ..... 174/560  
7,778,037 B2 \* 8/2010 Huang ..... 361/752  
D624,923 S \* 10/2010 Lu ..... D14/480.5  
2004/0233645 A1 \* 11/2004 Chen ..... 361/737  
2013/0201622 A1 \* 8/2013 LIU et al. .... 361/679.32

**OTHER PUBLICATIONS**

Cotton Candy hands-on preview: A sweet computer on a stick |  
PCWorld, [online] Dec. 17, 2012 [retrieved on Jan. 6, 2014].  
Retrieved from the Internet <URL: <http://www.pcworld.com/article/2020549/cotton-candy-hands-on-preview-a-sweet-computer-on-a-stick.html>>.\*

PQI Connect 203—PQI Group, [online], [retrieved on Jan. 6, 2014].  
Retrieved from the Internet <URL: [http://www.pqigroup.com/prod\\_in.aspx?mnuuid=1286&modid=138&prodid=946](http://www.pqigroup.com/prod_in.aspx?mnuuid=1286&modid=138&prodid=946)>.\*

\* cited by examiner

*Primary Examiner* — Karen E Kearney

(57) **CLAIM**

The ornamental design for a dual interface USB flash drive, as  
shown and described.

**DESCRIPTION**

FIG. 1 is a front view of a dual interface USB flash drive;

FIG. 2 is a left side view thereof;

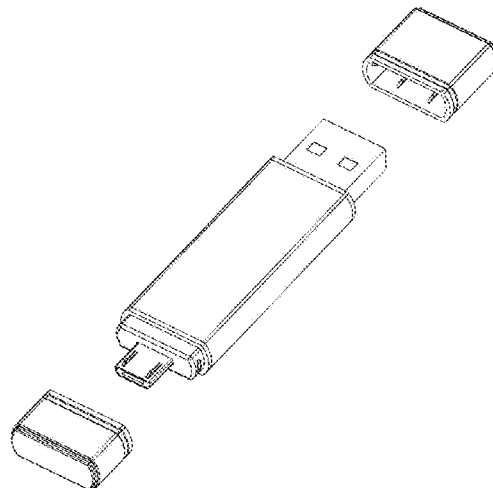
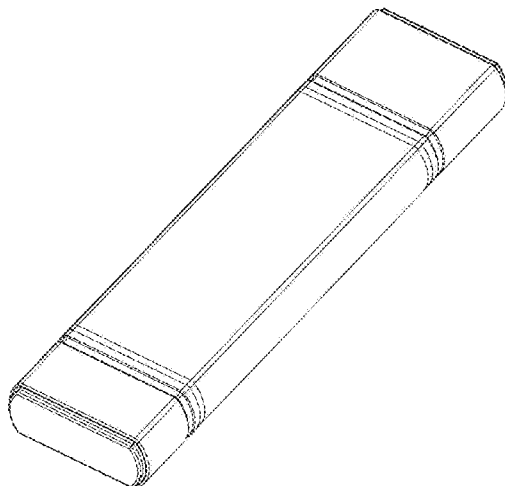
FIG. 3 is a top view thereof;

FIG. 4 is a perspective view thereof; and,

FIG. 5 is a perspective view thereof, showing the caps  
removed.

The rear view is the same as the front view. The right view is  
the same as the left view. The bottom view is the same as the  
top view.

**1 Claim, 5 Drawing Sheets**



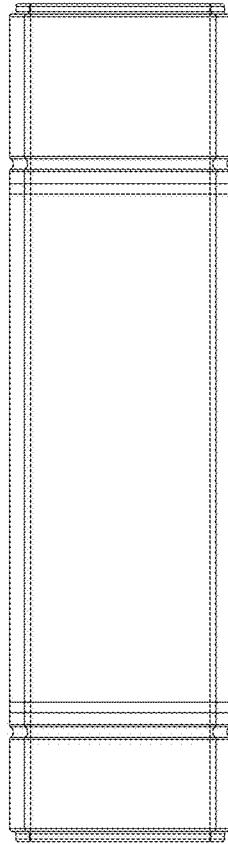


Fig.1



Fig.2



Fig.3

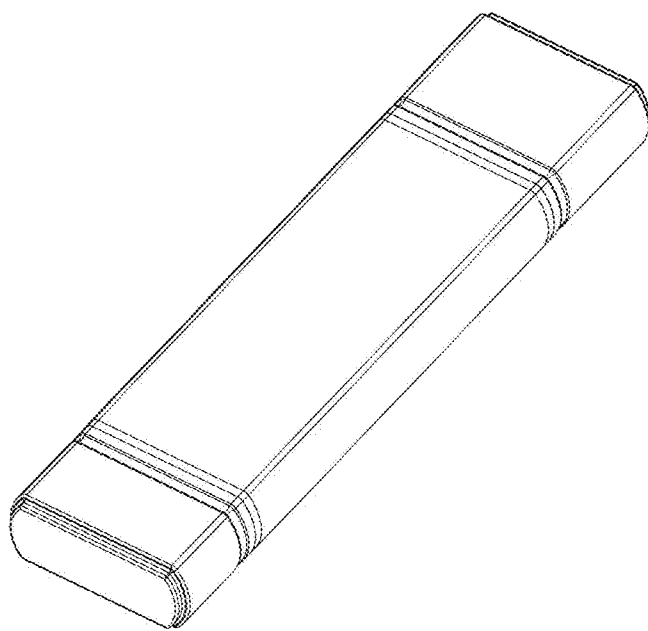


Fig.4

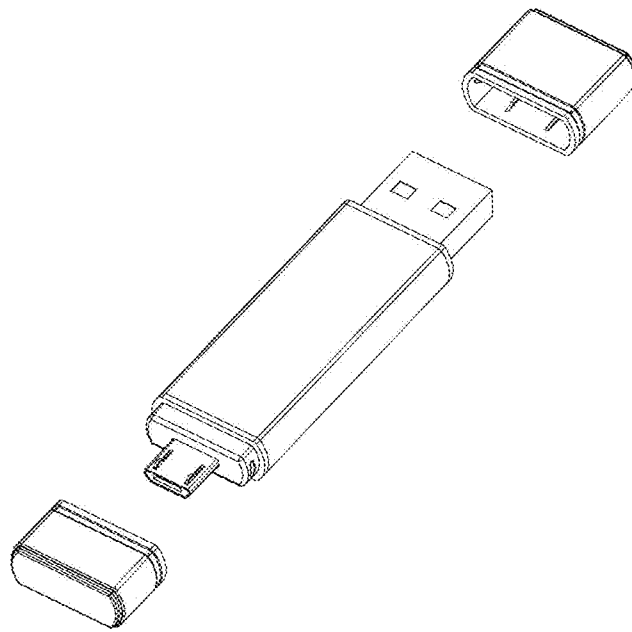


Fig.5