



US00D983803S

(12) **United States Design Patent**
Li

(10) **Patent No.:** **US D983,803 S**

(45) **Date of Patent:** **** Apr. 18, 2023**

- (54) **TABLET CASE**
- (71) Applicant: **SHENZHEN JINCHANNEL INNOVATION TECHNOLOGY CO., LTD.**, Shenzhen (CN)
- (72) Inventor: **Enqun Li**, Shenzhen (CN)
- (73) Assignee: **SHENZHEN JINCHANNEL INNOVATION TECHNOLOGY CO., LLD.**, Shenzhen (CN)
- (**) Term: **15 Years**
- (21) Appl. No.: **29/862,958**
- (22) Filed: **Dec. 14, 2022**
- (51) **LOC (14) Cl.** **14-02**
- (52) **U.S. Cl.**
USPC **D14/440**
- (58) **Field of Classification Search**
USPC D14/440, 447, 250; 206/45.23, 320, 206/45.2; 361/679.55; 294/25; 224/218
CPC G06F 1/1628; G06F 1/1626; A47B 23/044
See application file for complete search history.

- D671,948 S * 12/2012 Akana D14/440
- D672,353 S * 12/2012 Liu D14/440
- D672,781 S * 12/2012 Lu D14/440
- D678,260 S * 3/2013 Bau D14/132
- D679,279 S * 4/2013 Yang D14/440
- D679,715 S * 4/2013 Akana D14/440
- 8,424,830 B2 * 4/2013 Yang A47B 23/044
248/459
- D681,641 S * 5/2013 Van Den Nieuwenhuizen
D14/440
- D682,836 S * 5/2013 Akana D14/440
- D682,838 S * 5/2013 Akana D14/440
- D687,438 S * 8/2013 Lu D14/440
- D690,305 S * 9/2013 Wen D14/440
- D690,702 S * 10/2013 Chung D14/440

(Continued)

Primary Examiner — Cynthia R Underwood
(74) *Attorney, Agent, or Firm* — Daniel M. Cohn;
Howard M. Cohn

(57) **CLAIM**

The ornamental design for a tablet case, as shown and described.

DESCRIPTION

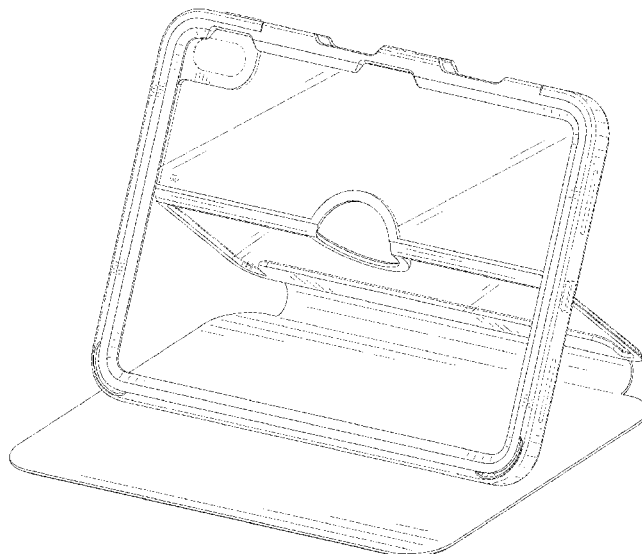
FIG. 1 is a perspective view of a tablet case showing my new design;
FIG. 2 is another perspective view thereof;
FIG. 3 is a front elevational view thereof;
FIG. 4 is a rear elevational view thereof;
FIG. 5 is a left side elevational view thereof;
FIG. 6 is a right side elevational view thereof;
FIG. 7 is a top plan view thereof;
FIG. 8 is a bottom plan view thereof;
FIG. 9 is a perspective view of the tablet case where the tablet case is in a first configuration of use; and,
FIG. 10 is a perspective view of the tablet case where the tablet case is in a second configuration of use.
The broken lines in the drawings depict portions of the tablet case that form no part of the claimed design.

1 Claim, 10 Drawing Sheets

(56) **References Cited**

U.S. PATENT DOCUMENTS

- 7,281,698 B2 * 10/2007 Patterson, Jr. A45C 11/00
248/458
- 7,735,644 B2 * 6/2010 Sirichai A45C 11/00
206/45.24
- D658,187 S * 4/2012 Diebel G06F 1/1628
D14/440
- D658,188 S * 4/2012 Diebel D14/440
- D663,304 S * 7/2012 Akana D14/440
- 8,230,992 B2 * 7/2012 Law G06F 1/1626
248/176.1
- 8,245,843 B1 * 8/2012 Wu H01M 10/465
206/320
- 8,312,991 B2 * 11/2012 Diebel G06F 1/1628
206/45.24



(56)

References Cited

U.S. PATENT DOCUMENTS

D691,142	S *	10/2013	Diebel	G06F 1/1679				
					D14/440				
D692,434	S *	10/2013	Kim	D14/440				
D693,823	S *	11/2013	Chen	D14/440				
D695,296	S *	12/2013	Hsu	D14/440				
D696,256	S *	12/2013	Piedra	D14/440				
D696,669	S *	12/2013	Akana	D14/440				
8,640,864	B2 *	2/2014	Chen	G06F 1/1628				
					206/320				
8,657,112	B2 *	2/2014	Igarashi	H05K 5/03				
					206/320				
D701,205	S *	3/2014	Akana	D14/341				
D702,673	S *	4/2014	Murchison	D14/250				
D704,689	S *	5/2014	Chang	D3/218				
D706,270	S *	6/2014	Akana	D14/440				
D706,783	S *	6/2014	Almodova	D14/440				
D707,229	S *	6/2014	Almodova	D14/440				
8,757,375	B2 *	6/2014	Huang	A47B 23/043				
					206/45.24				
D708,838	S *	7/2014	Lee	D14/440				
D710,859	S *	8/2014	Mecchella	D14/440				
8,797,132	B2 *	8/2014	Childs	A45C 11/00				
					206/320				
D713,847	S *	9/2014	Su	D14/440				
D713,848	S *	9/2014	Akana	D14/440				
9,451,822	B2 *	9/2016	Gu	F16M 11/041				
D864,972	S *	10/2019	Chen	D14/440				
D868,071	S *	11/2019	Liu	D14/440				
D871,415	S *	12/2019	Lin	D14/440				
D874,466	S *	2/2020	Lei	D14/440				
D875,735	S *	2/2020	Buechin	G06F 1/1671				
					D14/440				
D883,986	S *	5/2020	Akana	D14/440				
D885,402	S *	5/2020	Lei	D14/440				
D887,415	S *	6/2020	Claudepierre	D14/440				
D888,718	S *	6/2020	Xu	D14/440				
D889,474	S *	7/2020	Akana	D14/440				
D890,183	S *	7/2020	Zhao	D14/440				
D891,435	S *	7/2020	Cheng					
D892,126	S *	8/2020	Kim	D14/440				
D896,233	S *	9/2020	Chen	D14/440				
D898,746	S *	10/2020	Buechin	A45C 11/00				
					D14/440				
D904,413	S *	12/2020	Feng	D14/440				
D907,044	S *	1/2021	Cheng	D14/440				
D907,046	S *	1/2021	Kao	D14/440				
D907,047	S *	1/2021	Kao	D14/440				
D909,391	S *	2/2021	Cheng	D14/440				
D910,026	S *	2/2021	Li	D14/440				
D910,642	S *	2/2021	Li	D14/440				
D910,643	S *	2/2021	Li	D14/440				
D912,059	S *	3/2021	Zhao	D14/440				
D912,060	S *	3/2021	Zhu	D14/440				
D912,063	S *	3/2021	Yan	D14/440				
D913,293	S *	3/2021	Feng	D14/440				
D920,335	S *	5/2021	Akana	D14/440				
D921,637	S *	6/2021	Cheng	D14/440				
D922,390	S *	6/2021	Cheng	D14/440				
D922,391	S *	6/2021	Cheng	D14/440				
D923,011	S *	6/2021	Cheng	D14/440				
D924,244	S *	7/2021	Akana	D14/440				
D924,880	S *	7/2021	Akana	D14/440				
D928,788	S *	8/2021	Kang	D14/440				
D932,493	S *	10/2021	Xiong					
D941,824	S *	1/2022	Kim	D14/440				
2003/0034263	A1 *	2/2003	D'Hoste	A45C 9/00				
					206/320				
2008/0302687	A1 *	12/2008	Sirichai	A45C 11/00				
					206/320				
2009/0159763	A1 *	6/2009	Kim	A47B 23/044				
					248/176.1				
2011/0266194	A1 *	11/2011	Bau	H04B 1/3888				
					206/736				
2011/0290687	A1 *	12/2011	Han	A45C 13/002				
					206/320				
2012/0211377	A1 *	8/2012	Sajid	G06F 1/1628				
					206/216				
2012/0211613	A1 *	8/2012	Yang	A45C 13/34				
					248/174				
2012/0308981	A1 *	12/2012	Libin	G09B 7/00				
					434/362				
2013/0015088	A1 *	1/2013	Wu	A45C 11/00				
					206/320				
2013/0020216	A1 *	1/2013	Chiou	G06F 1/1626				
					206/320				
2013/0140203	A1 *	6/2013	Chiang	G06F 1/1628				
					206/320				
2013/0213838	A1 *	8/2013	Tsai	G06F 1/1633				
					206/320				
2013/0214661	A1 *	8/2013	McBroom	G06F 1/166				
					312/325				
2013/0241381	A1 *	9/2013	Hynecek	H05K 5/03				
					312/240				
2013/0264459	A1 *	10/2013	McCosh	F16M 11/105				
					248/688				

* cited by examiner

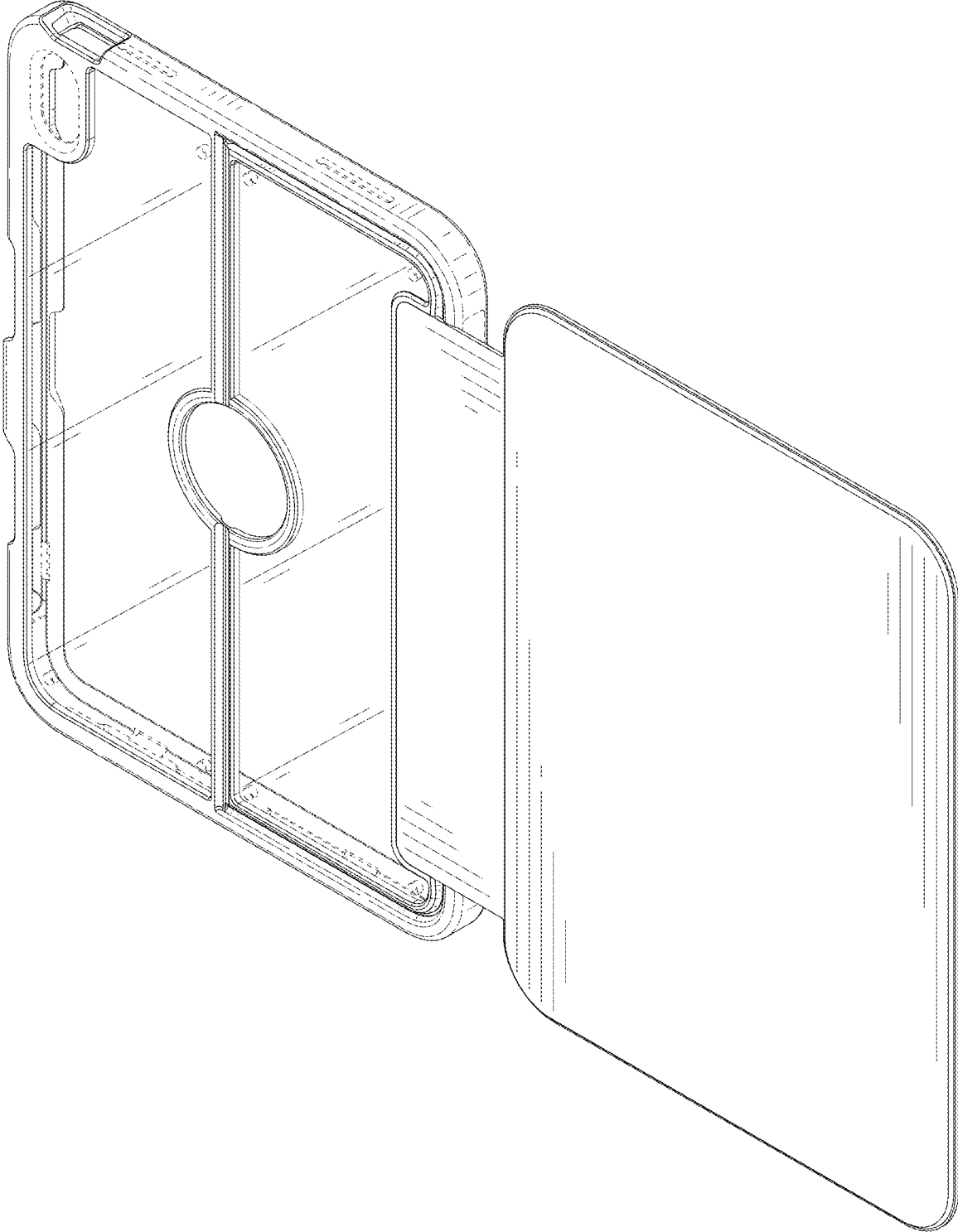


FIG. 1

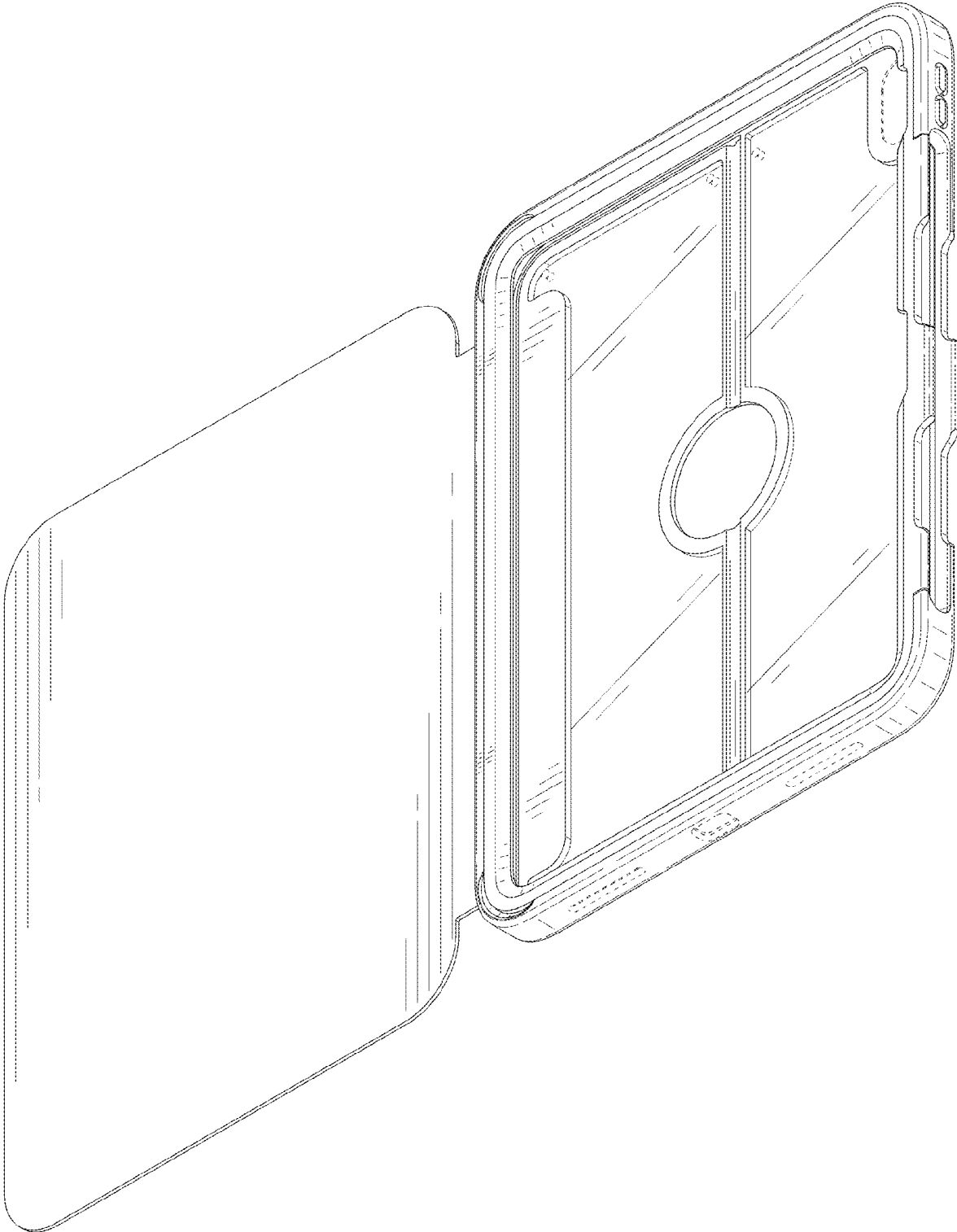


FIG. 2

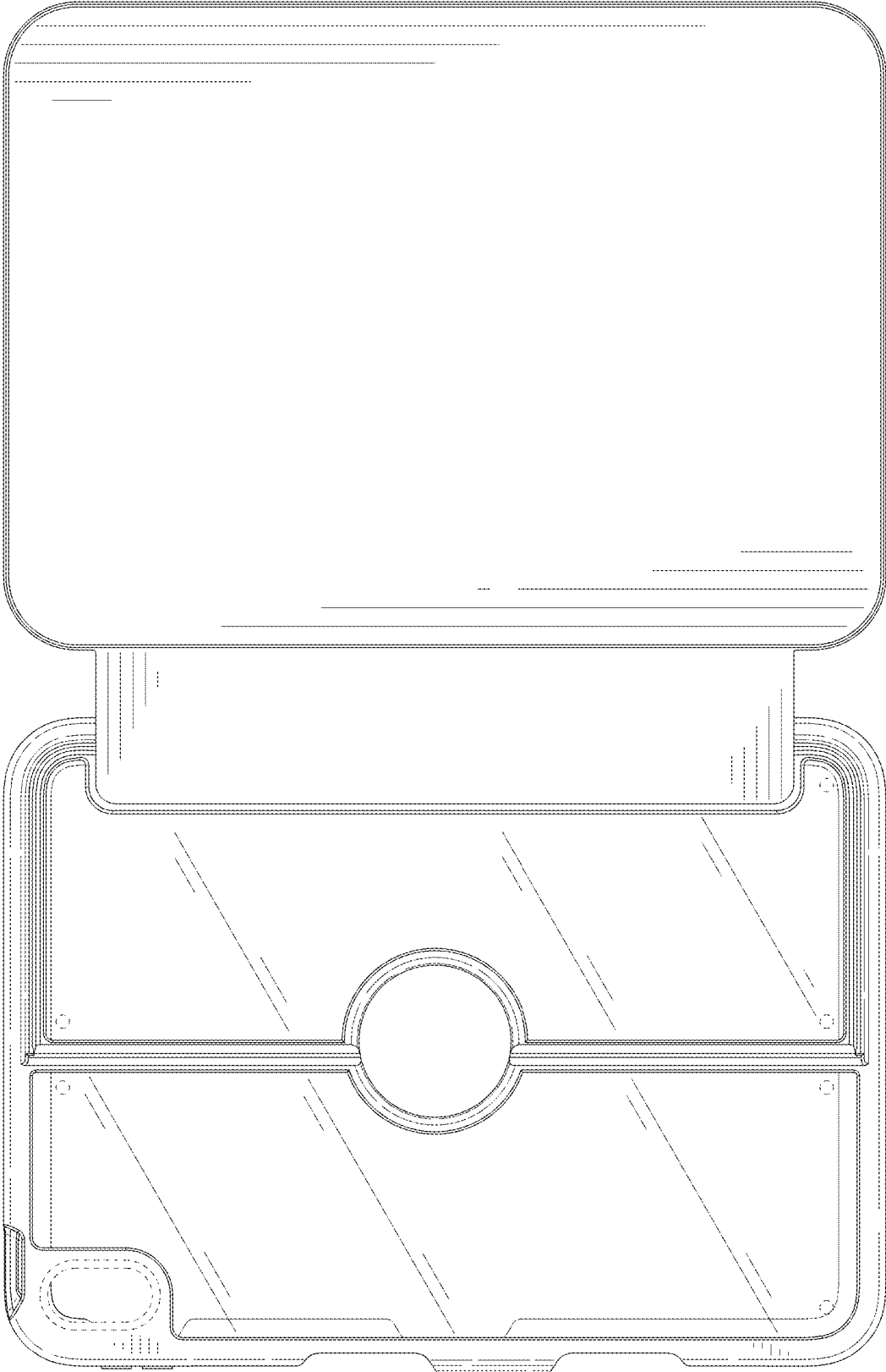


FIG. 3

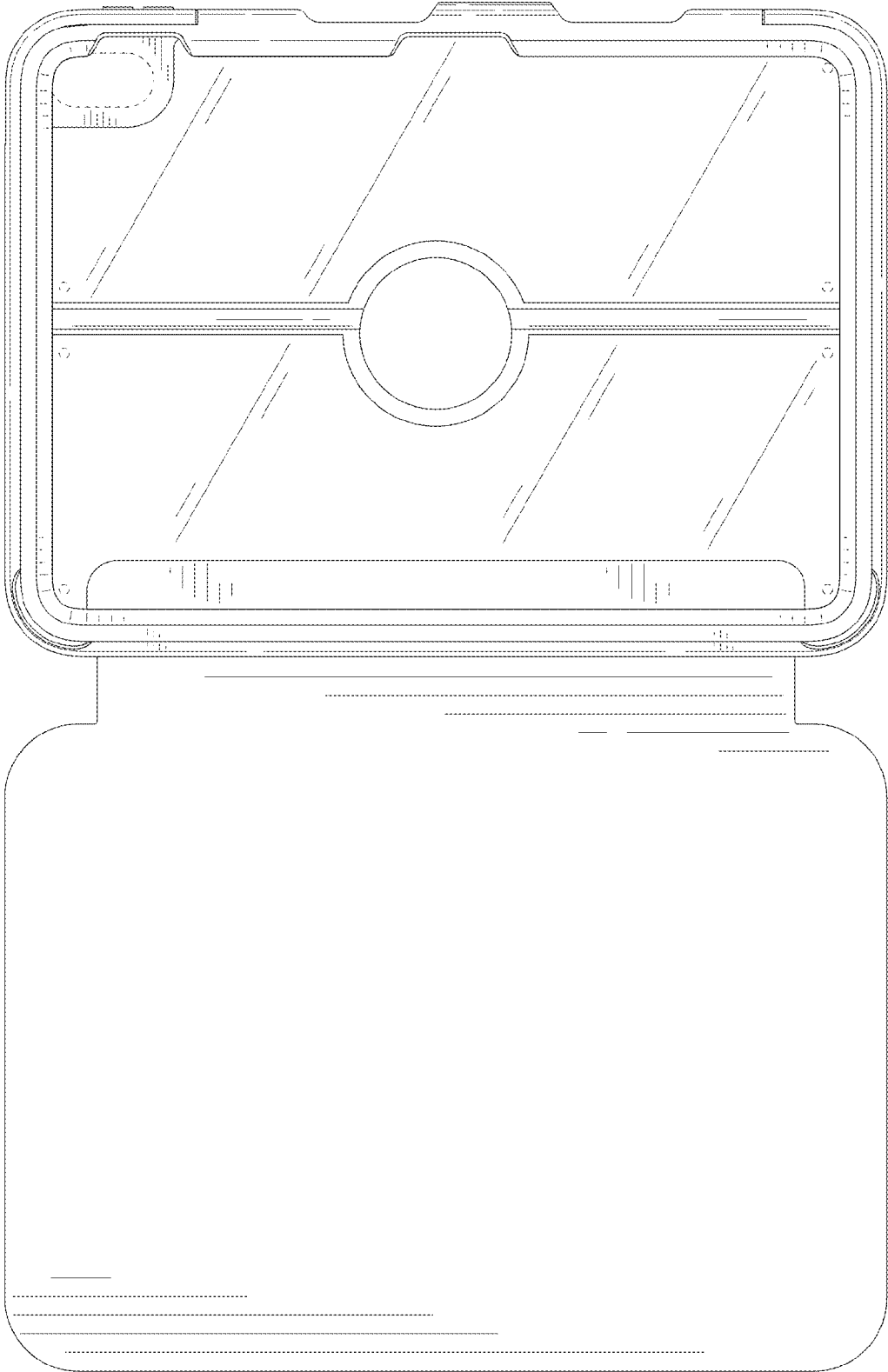


FIG. 4



FIG. 5

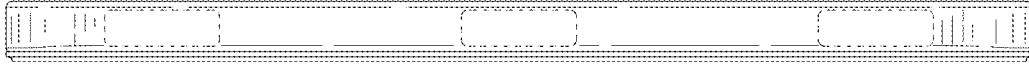


FIG. 6



FIG. 7



FIG. 8

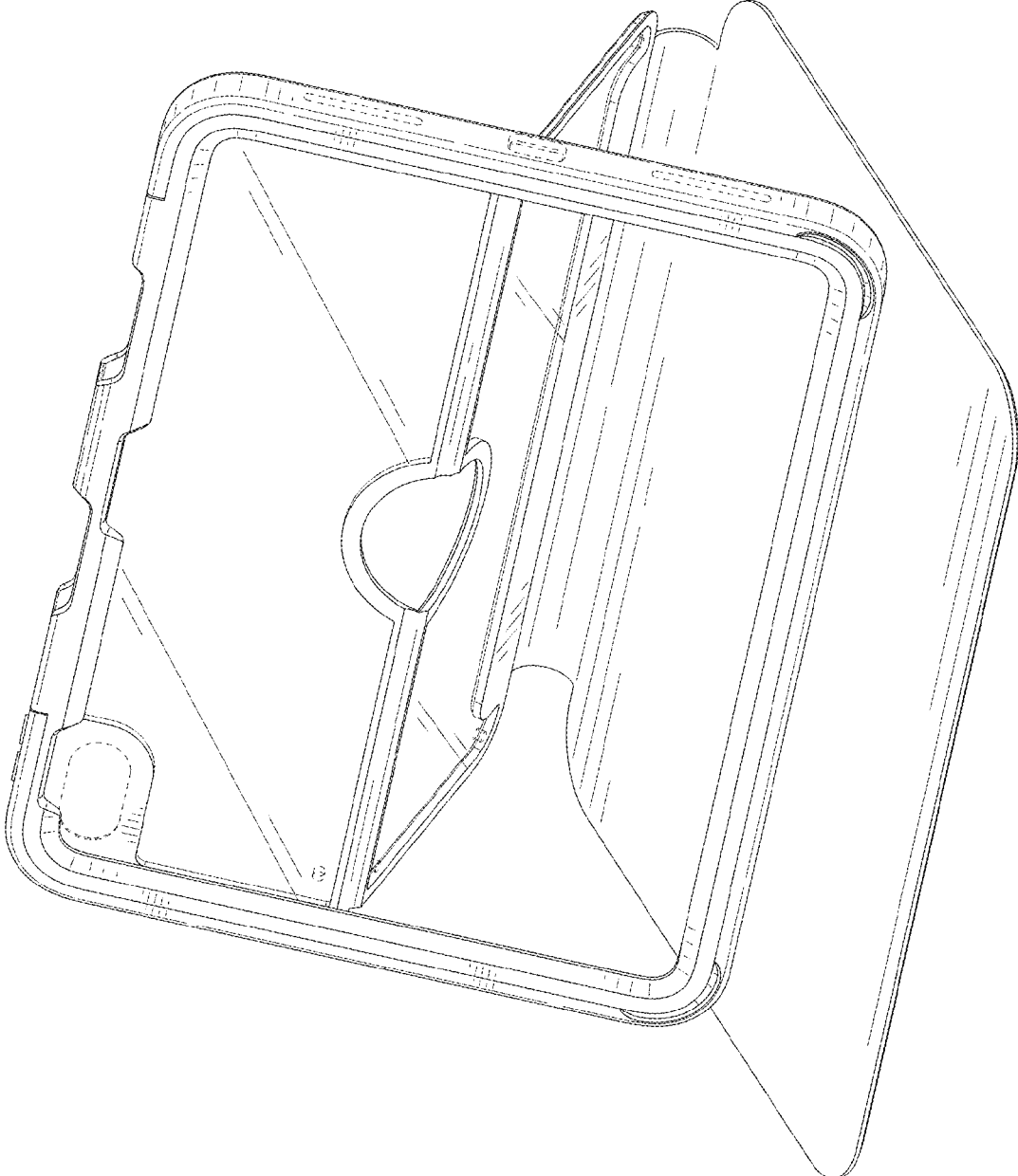


FIG. 9

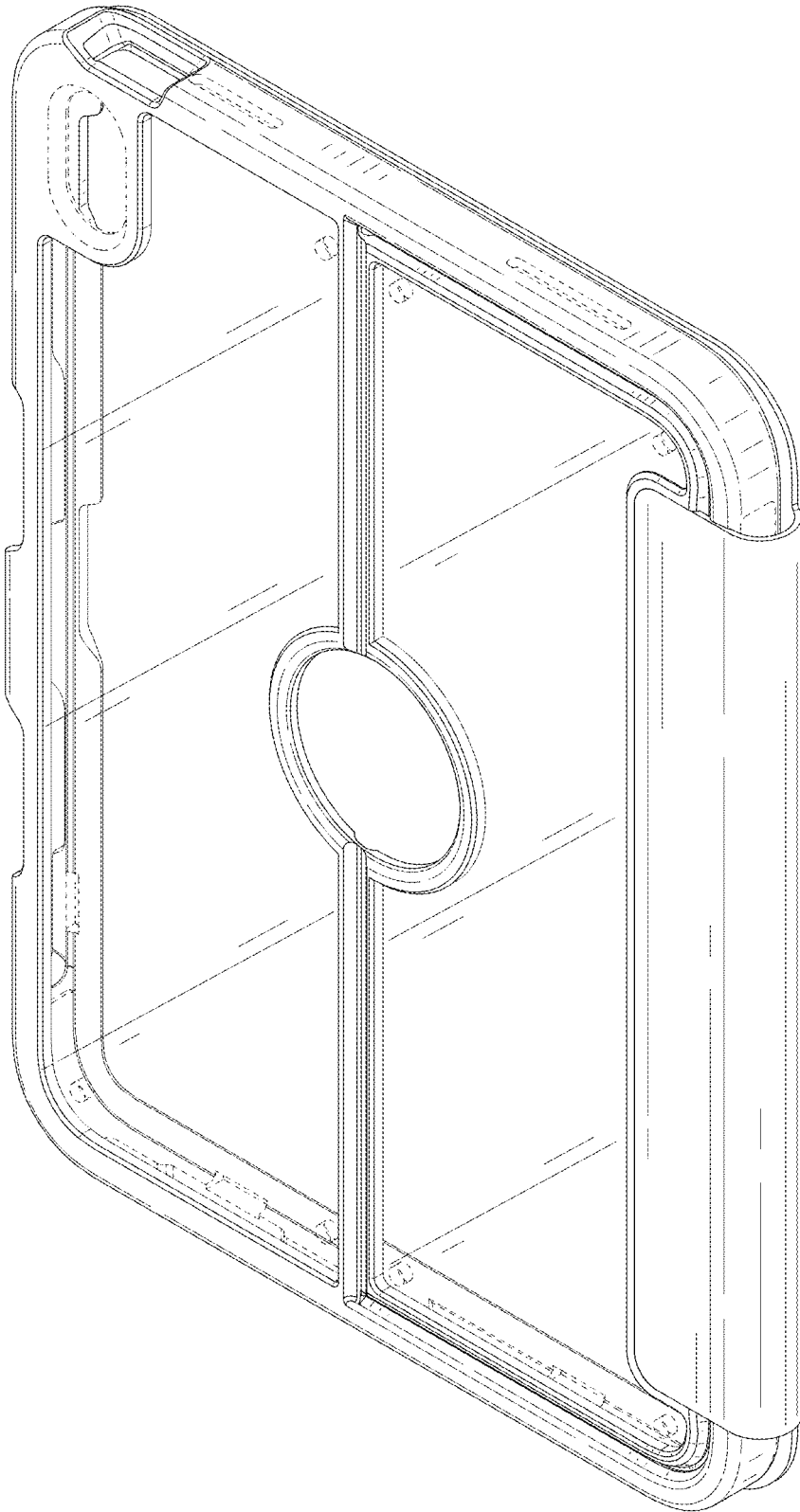


FIG. 10