

(19) World Intellectual Property Organization
International Bureau



(10) International Publication Number
WO 2009/143225 A3

(43) International Publication Date
26 November 2009 (26.11.2009)

(51) International Patent Classification:
G01S 1/00 (2006.01)

(74) Agent: GUNDERSON, Linda, G.; Attn: International IP Administration, 5775 Morehouse Drive, San Diego, CA 92121 (US).

(21) International Application Number:
PCT/US2009/044644

(81) Designated States (unless otherwise indicated, for every kind of national protection available): AE, AG, AL, AM, AO, AT, AU, AZ, BA, BB, BG, BH, BR, BW, BY, BZ, CA, CH, CN, CO, CR, CU, CZ, DE, DK, DM, DO, DZ, EC, EE, EG, ES, FI, GB, GD, GE, GH, GM, GT, HN, HR, HU, ID, IL, IN, IS, JP, KE, KG, KM, KN, KP, KR, KZ, LA, LC, LK, LR, LS, LT, LU, LY, MA, MD, ME, MG, MK, MN, MW, MX, MY, MZ, NA, NG, NI, NO, NZ, OM, PG, PH, PL, PT, RO, RS, RU, SC, SD, SE, SG, SK, SL, SM, ST, SV, SY, TJ, TM, TN, TR, TT, TZ, UA, UG, US, UZ, VC, VN, ZA, ZM, ZW.

(22) International Filing Date:
20 May 2009 (20.05.2009)

(25) Filing Language: English

(26) Publication Language: English

(30) Priority Data:
12/126,818 23 May 2008 (23.05.2008) US

(71) Applicant (for all designated States except US): QUALCOMM INCORPORATED [US/US]; Attn: International IP Administration, 5775 Morehouse Drive, San Diego, CA 92121 (US).

(72) Inventor; and

(75) Inventor/Applicant (for US only): GUM, Arnold, Jason [US/US]; 5775 Morehouse Drive, San Diego, CA 92121 (US).

(84) Designated States (unless otherwise indicated, for every kind of regional protection available): ARIPO (BW, GH, GM, KE, LS, MW, MZ, NA, SD, SL, SZ, TZ, UG, ZM, ZW), Eurasian (AM, AZ, BY, KG, KZ, MD, RU, TJ, TM), European (AT, BE, BG, CH, CY, CZ, DE, DK, EE, ES, FI, FR, GB, GR, HR, HU, IE, IS, IT, LT, LU, LV, MC, MK, MT, NL, NO, PL, PT, RO, SE, SI, SK, TR),

[Continued on next page]

(54) Title: MULTIPLE-MODE LOCATION DETERMINING METHODS AND SYSTEMS

(57) Abstract: Methods, apparatuses and/or systems are provided for selectively initiating a first mode location determination process using a location determining device if an item is not substantially stationary, and selectively initiating at least a second mode location determination process using the location determining device if the item is substantially stationary.

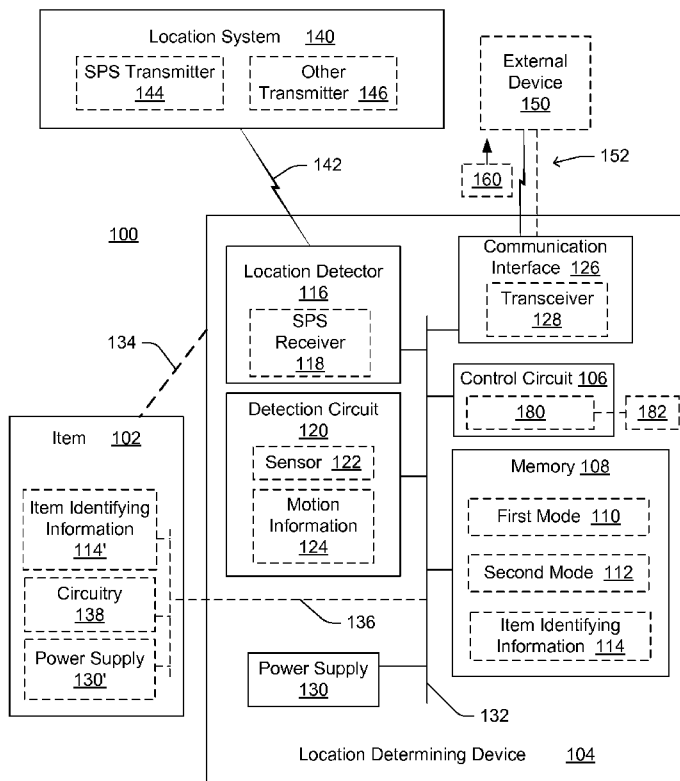


Fig. 1

WO 2009/143225 A3



OAPI (BF, BJ, CF, CG, CI, CM, GA, GN, GQ, GW, ML,
MR, NE, SN, TD, TG).

Published:

Declarations under Rule 4.17:

- *as to applicant's entitlement to apply for and be granted a patent (Rule 4.17(ii))*
- *as to the applicant's entitlement to claim the priority of the earlier application (Rule 4.17(iii))*

- *with international search report (Art. 21(3))*
- *before the expiration of the time limit for amending the claims and to be republished in the event of receipt of amendments (Rule 48.2(h))*

(88) Date of publication of the international search report:

22 April 2010

INTERNATIONAL SEARCH REPORT

International application No
PCT/US2009/044644

A. CLASSIFICATION OF SUBJECT MATTER
INV. G01S1/00

According to International Patent Classification (IPC) or to both national classification and IPC

B. FIELDS SEARCHED

Minimum documentation searched (classification system followed by classification symbols)
G01S

Documentation searched other than minimum documentation to the extent that such documents are included in the fields searched

Electronic data base consulted during the international search (name of data base and, where practical, search terms used)
EPO-Internal, WPI Data

Category*	Citation of document, with indication, where appropriate, of the relevant passages	Relevant to claim No.
X	US 2003/197641 A1 (STONE JESSE [US] ET AL) 23 October 2003 (2003-10-23) paragraph [0028]; figure 2	1-9, 12-28, 31-38, 42-44
X	US 2007/030841 A1 (LEE RICHARD M [US] ET AL) 8 February 2007 (2007-02-08) paragraphs [0016], [0091]	1-6, 15-18, 21-25, 31-36
X	US 2002/198656 A1 (FORD THOMAS JOHN [CA] ET AL) 26 December 2002 (2002-12-26) abstract; figure 2	1-11, 15, 18, 21, 29-32, 39-41

Further documents are listed in the continuation of Box C. See patent family annex.

* Special categories of cited documents :

"A" document defining the general state of the art which is not considered to be of particular relevance	"T" later document published after the international filing date or priority date and not in conflict with the application but cited to understand the principle or theory underlying the invention
"E" earlier document but published on or after the international filing date	"X" document of particular relevance; the claimed invention cannot be considered novel or cannot be considered to involve an inventive step when the document is taken alone
"L" document which may throw doubts on priority claim(s) or which is cited to establish the publication date of another citation or other special reason (as specified)	"Y" document of particular relevance; the claimed invention cannot be considered to involve an inventive step when the document is combined with one or more other such documents, such combination being obvious to a person skilled in the art.
"O" document referring to an oral disclosure, use, exhibition or other means	"&" document member of the same patent family
"P" document published prior to the international filing date but later than the priority date claimed	

Date of the actual completion of the international search 25 February 2010	Date of mailing of the international search report 04/03/2010
---	--

Name and mailing address of the ISA/ European Patent Office, P.B. 5818 Patentlaan 2 NL - 2280 HV Rijswijk Tel. (+31-70) 340-2040, Fax: (+31-70) 340-3016	Authorized officer Fanjul Caudevilla, J
--	--

INTERNATIONAL SEARCH REPORT

International application No
PCT/US2009/044644

C(Continuation). DOCUMENTS CONSIDERED TO BE RELEVANT

Category*	Citation of document, with indication, where appropriate, of the relevant passages	Relevant to claim No.
A	WO 2004/086077 A (GLOBAL LOCATE INC [US]; ABRAHAM CHARLES [US]; DE LA PORTE SERGE [US];) 7 October 2004 (2004-10-07) paragraphs [0108], [0109] -----	1-44

INTERNATIONAL SEARCH REPORT

Information on patent family members

International application No PCT/US2009/044644

Patent document cited in search report	Publication date	Patent family member(s)	Publication date
US 2003197641 A1	23-10-2003	AU 2003221722 A1 WO 03089951 A2	03-11-2003 30-10-2003
US 2007030841 A1	08-02-2007	EP 1889188 A2 JP 2008545122 T WO 2006124685 A2	20-02-2008 11-12-2008 23-11-2006
US 2002198656 A1	26-12-2002	NONE	
WO 2004086077 A	07-10-2004	NONE	