



US00D492034S1

(12) **United States Design Patent**
Cruz et al.

(10) **Patent No.:** **US D492,034 S**
(45) **Date of Patent:** **** Jun. 22, 2004**

- (54) **BASE FOR A MEDICAL MACHINE**
- (75) Inventors: **Edward Cruz**, Newbury Park, CA (US); **John K. Clay**, Topanga, CA (US)
- (73) Assignees: **Baxter International Inc.**, Deerfield, IL (US); **Baxter Healthcare S.A.**, Zurich (CH)
- (**) Term: **14 Years**

5,824,213 A	*	10/1998	Utterberg	210/241
D402,369 S		12/1998	Prokop et al.	
D406,893 S		3/1999	Menhennett et al.	
D406,894 S		3/1999	Menhennett et al.	
D412,578 S		8/1999	Andersson et al.	
D420,444 S		2/2000	McGugan	
6,143,181 A		11/2000	Falkvall et al.	
6,146,523 A		11/2000	Kenley et al.	
D446,860 S		8/2001	Meziere et al.	
D446,861 S		8/2001	Meziere et al.	
2003/0010719 A1	*	1/2003	Brugger et al.	210/651

(21) Appl. No.: **29/168,208**

(22) Filed: **Sep. 27, 2002**

(51) **LOC (7) Cl.** **24-01**

(52) **U.S. Cl.** **D24/169**

(58) **Field of Search** D24/169, 186;
210/645, 646, 321.71, 321.65

(56) **References Cited**

U.S. PATENT DOCUMENTS

2,969,150 A	1/1961	Broman	
5,514,335 A	5/1996	Leonard et al.	
5,629,871 A	5/1997	Love et al.	
5,650,071 A	7/1997	Brugger et al.	
D383,842 S	9/1997	Kenley et al.	
5,679,245 A	* 10/1997	Manica	210/134
D389,916 S	1/1998	DiPerna et al.	
D395,085 S	6/1998	Kenley et al.	
D396,289 S	7/1998	McGugan	
5,788,851 A	8/1998	Kenley et al.	
D399,960 S	10/1998	Prokop et al.	

* cited by examiner

Primary Examiner—Stella Reid

(74) *Attorney, Agent, or Firm*—Paula J. F. Kelly; Joseph P. Reagen; Bell, Boyd & Lloyd LLC

(57) **CLAIM**

The ornamental design for a base for a medical machine, as shown and described.

DESCRIPTION

FIG. 1 is a top, right side and front perspective view of a base for a medical machine, showing our new design; FIG. 2 is a top, left side and rear perspective view thereof; FIG. 3 is a front elevation view thereof; FIG. 4 is right side elevation view thereof; FIG. 5 is a left side elevation view thereof; and, FIG. 6 is a top plan view thereof. The broken line showing is for illustrative purposes only and forms no part of the claimed design.

1 Claim, 5 Drawing Sheets

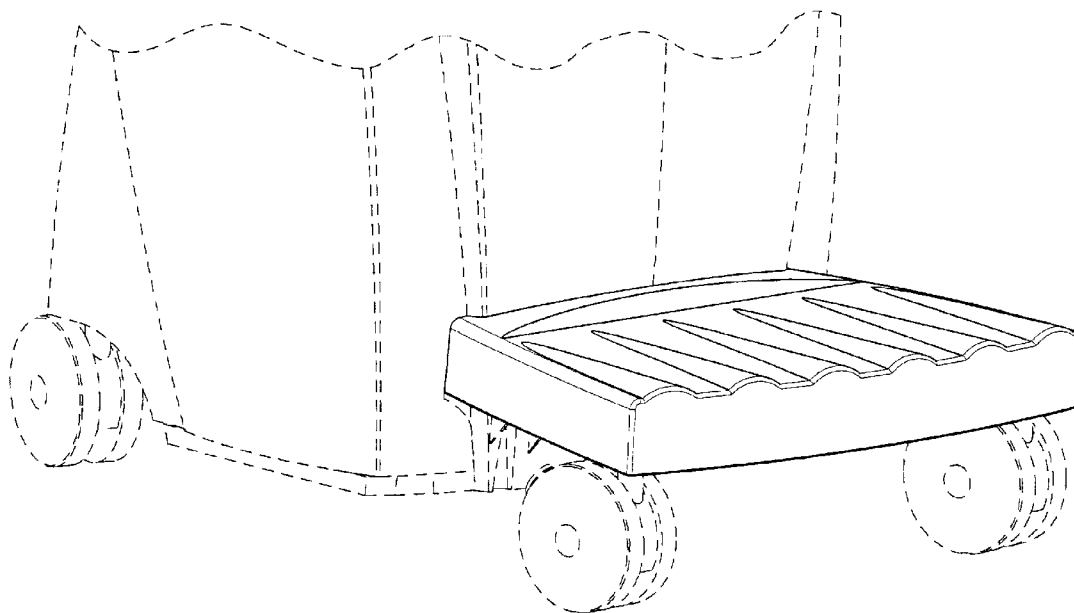
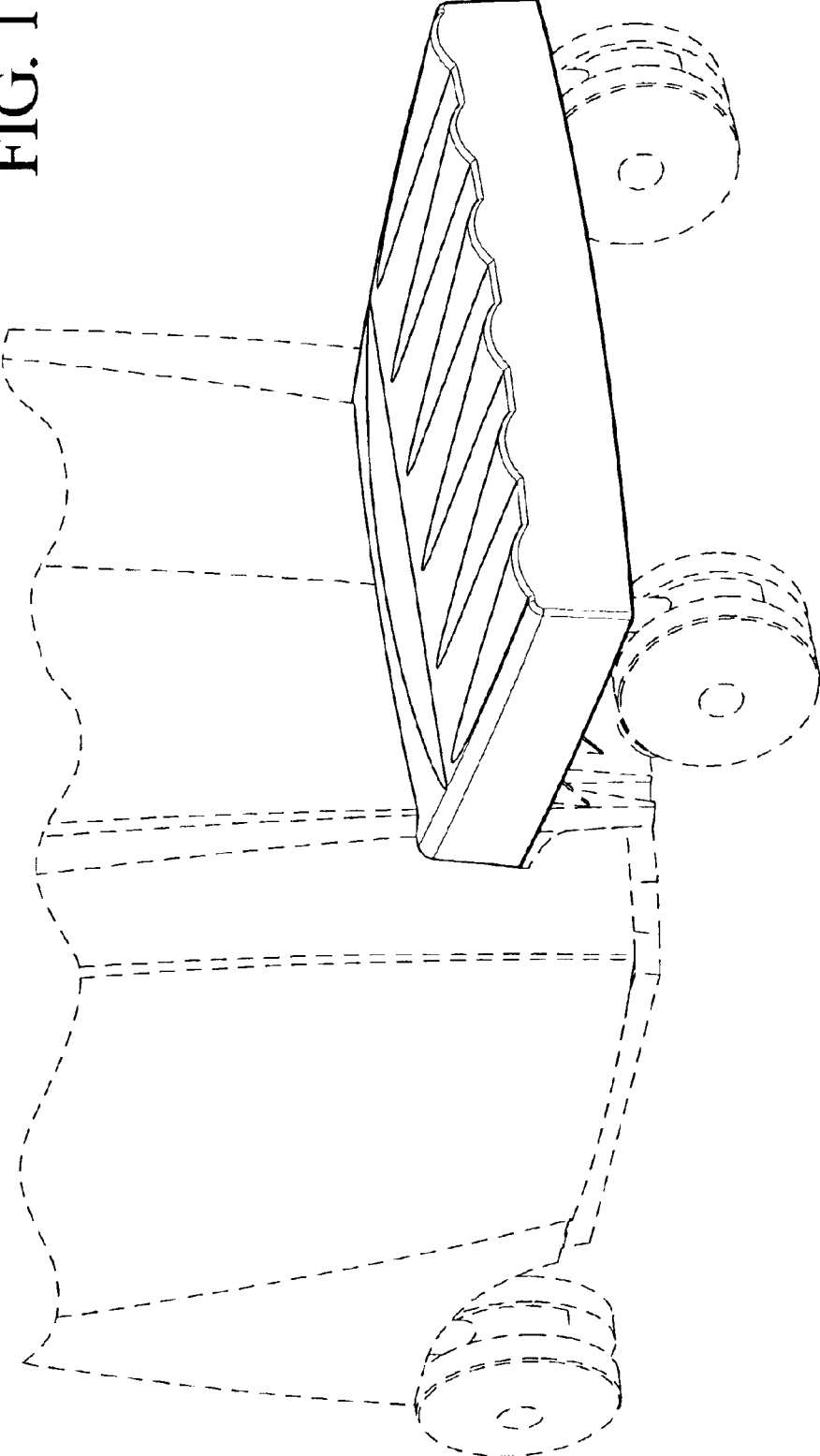


FIG. 1



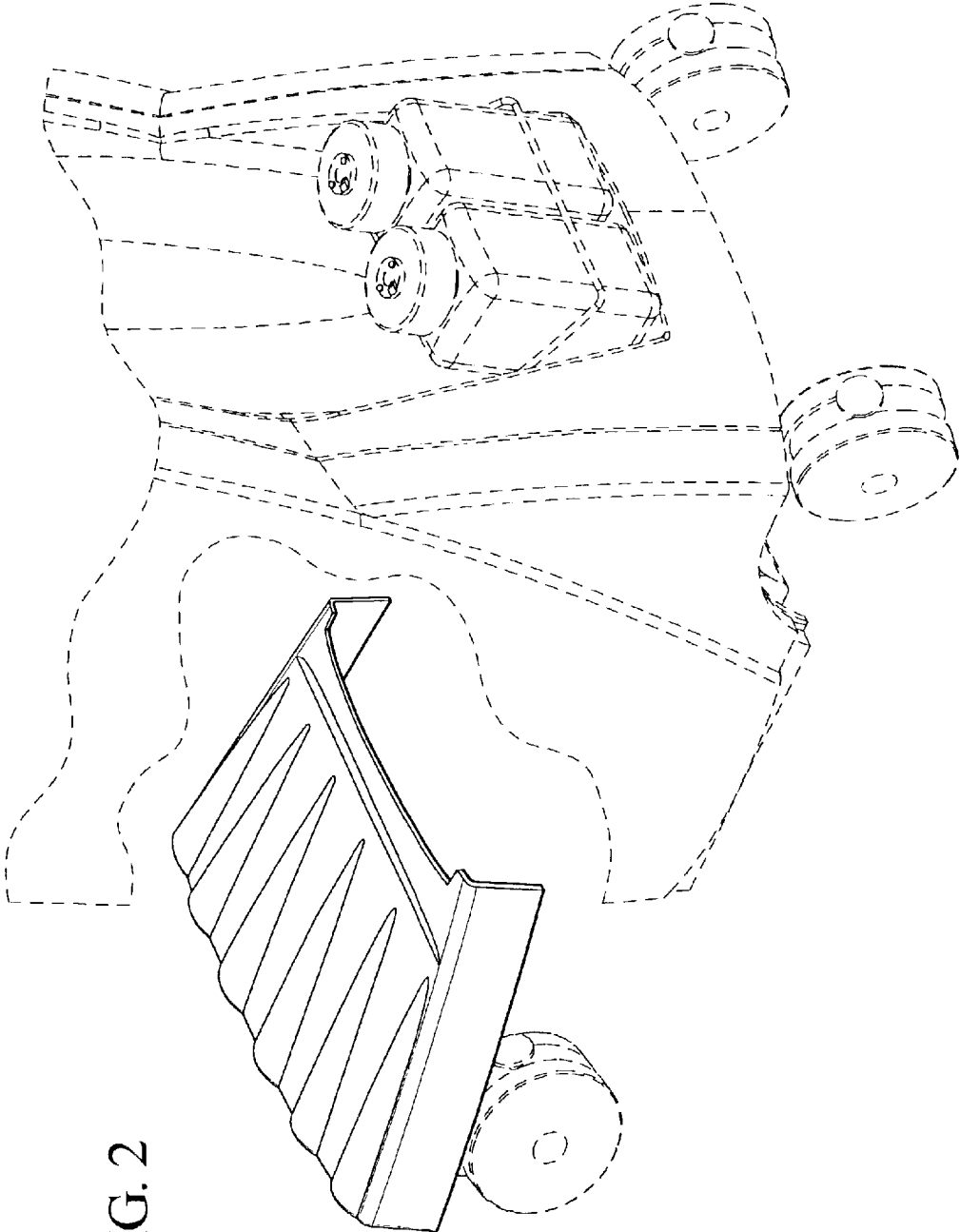


FIG. 2

FIG. 3

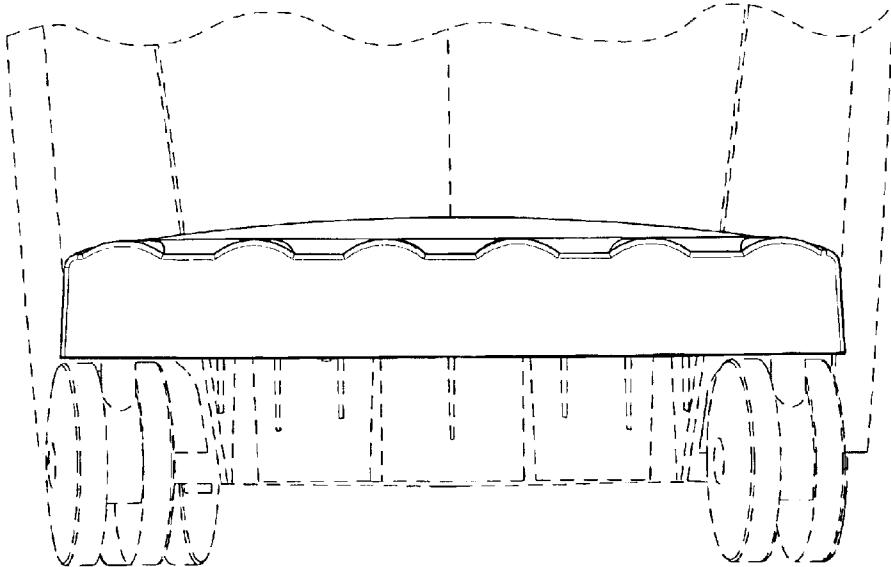


FIG. 4

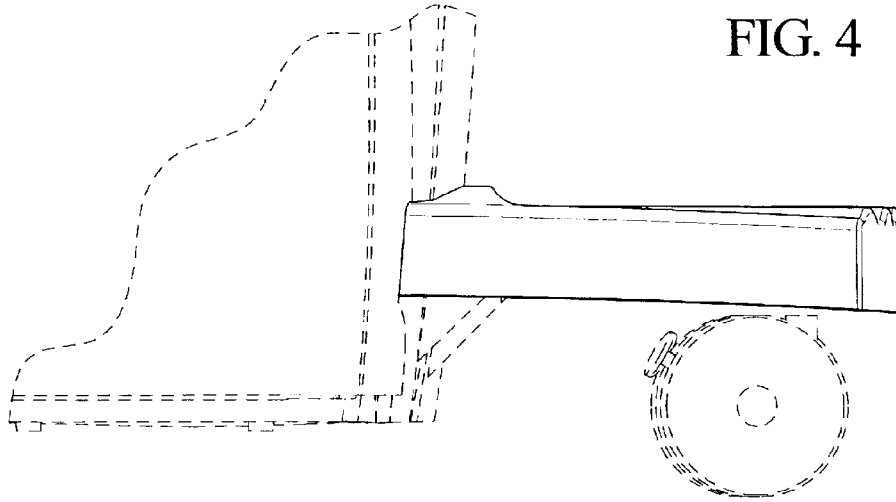


FIG. 5

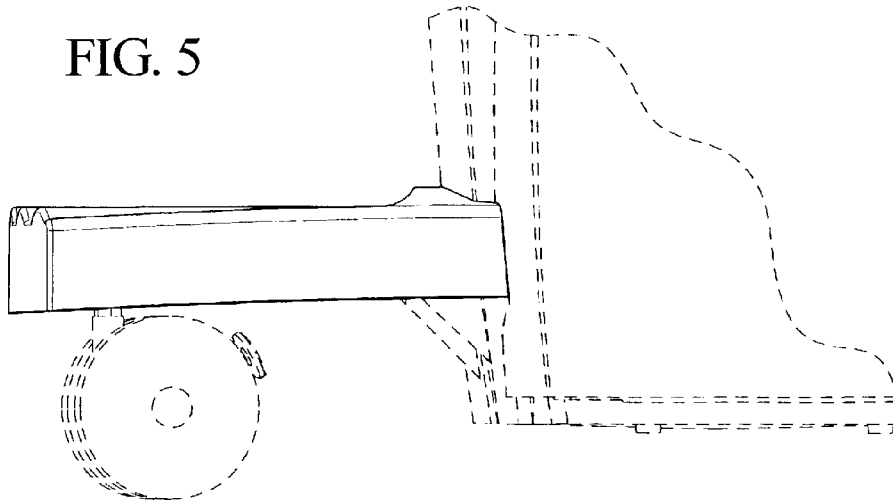


FIG. 6

