



US00D512083S

(12) **United States Design Patent**
Sollami

(10) **Patent No.:** **US D512,083 S**

(45) **Date of Patent:** **** Nov. 29, 2005**

(54) **DRILL BIT BLADE**

(76) Inventor: **Jimmie L. Sollami**, 1017 Weaver Rd.,
Herrin, IL (US) 62948

(**) Term: **14 Years**

(21) Appl. No.: **29/217,261**

(22) Filed: **Nov. 15, 2004**

Related U.S. Application Data

(63) Continuation-in-part of application No. 10/264,121, filed on
Oct. 3, 2002, now Pat. No. 6,817,429.

(51) **LOC (8) Cl.** **15-09**

(52) **U.S. Cl.** **D15/139**

(58) **Field of Search** D15/139; D10/106;
175/385-392, 412-420, 420.1, 353, 365,
426, 398, 415, 431; 408/211

References Cited

U.S. PATENT DOCUMENTS

2,461,305 A *	2/1949	Winn	175/397
2,707,619 A	5/1955	Andersson	
2,902,260 A	9/1959	Tilden	
3,106,972 A *	10/1963	Thornsberry	175/398
3,426,860 A *	2/1969	Petersen	175/392
3,447,616 A	6/1969	Granat	
3,960,223 A *	6/1976	Kleine	175/385
4,314,616 A	2/1982	Rauckhorst et al.	
4,342,368 A	8/1982	Denman	
D273,387 S *	4/1984	Lassiter	D15/139
D273,388 S *	4/1984	Lassiter	D15/139
D273,389 S *	4/1984	Lassiter	D15/139
D273,390 S *	4/1984	Lassiter	D15/139
4,489,796 A	12/1984	Sanchez et al.	
D278,065 S *	3/1985	Sydowski et al.	D15/139
4,550,791 A	11/1985	Isakov	
D298,633 S *	11/1988	Kenemore	D15/139
4,787,464 A	11/1988	Ojanen	
5,145,018 A *	9/1992	Schimke et al.	175/385
5,184,689 A	2/1993	Sheirer et al.	
D340,248 S	10/1993	Brady	

5,269,387 A	12/1993	Nance	
5,287,937 A	2/1994	Sollami et al.	
5,297,643 A	3/1994	Montgomery, Jr. et al.	
5,311,959 A	5/1994	Adams	
D351,174 S	10/1994	Brady	
5,375,672 A	12/1994	Peay et al.	
5,429,199 A	7/1995	Sheirer et al.	
5,458,210 A	10/1995	Sollami	
5,628,376 A	5/1997	Kleine	
5,630,478 A	5/1997	Schimke	
5,735,648 A	4/1998	Kleine	
D394,663 S *	5/1998	Stone et al.	D15/139
5,829,540 A	11/1998	Reay et al.	
5,996,715 A	12/1999	Reay et al.	
6,026,918 A	2/2000	Briese	
6,044,919 A	4/2000	Briese	
D424,579 S	5/2000	Brady	
D430,578 S	9/2000	Brady	
6,145,606 A	11/2000	Haga	
D442,192 S *	5/2001	Strong	D15/139
6,260,637 B1	7/2001	Hausmann et al.	
6,260,638 B1	7/2001	Massa et al.	
6,267,542 B1	7/2001	Salmon	

* cited by examiner

Primary Examiner—Antoine D. Davis
(74) *Attorney, Agent, or Firm*—Pitts & Brittain, P.C.

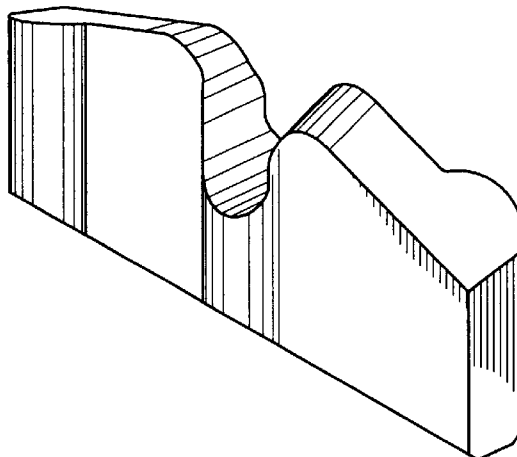
(57) **CLAIM**

The ornamental design for a drill bit blade, as shown and described.

DESCRIPTION

FIG. 1 is a perspective illustration of the drill bit blade of the present invention;
FIG. 2 is a front elevation view of the drill bit blade of FIG. 1, the rear elevation view being mirror images thereto;
FIG. 3 is a left end elevation view of the drill bit blade of FIG. 1, the right end elevation view being mirror images thereto;
FIG. 4 is a top plan view of the drill bit blade of FIG. 1; and
FIG. 5 is a bottom plan view of the drill bit blade of FIG. 1.

1 Claim, 2 Drawing Sheets



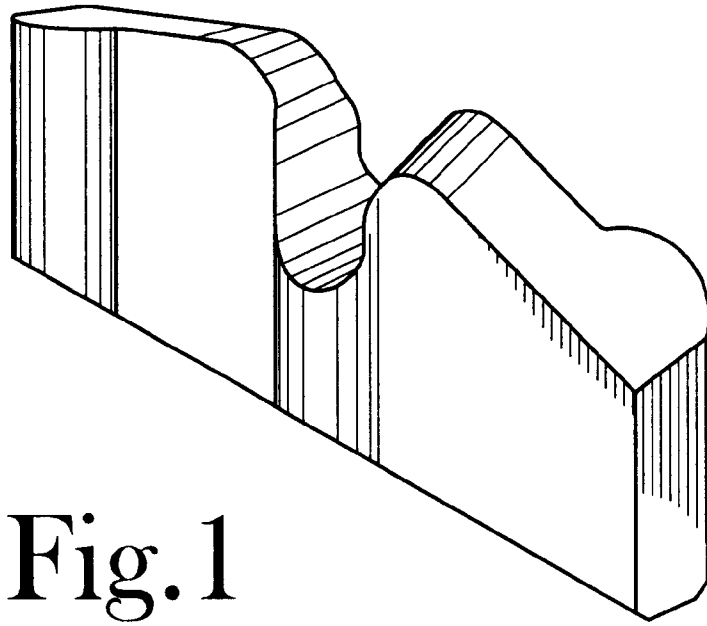


Fig. 1

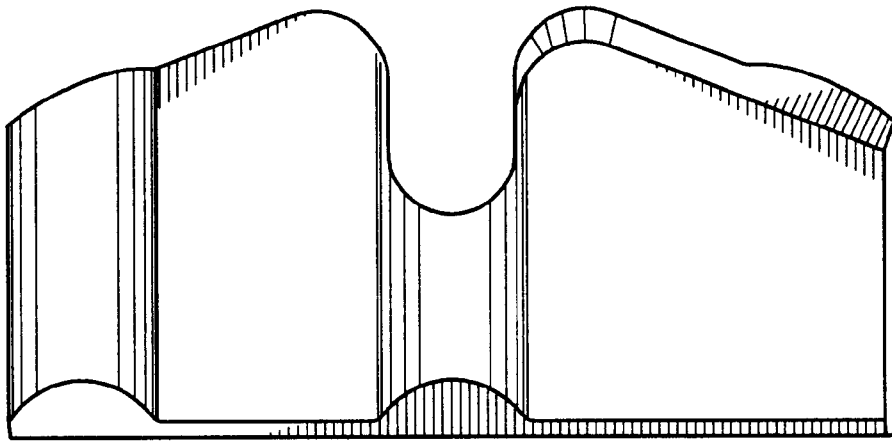


Fig. 2

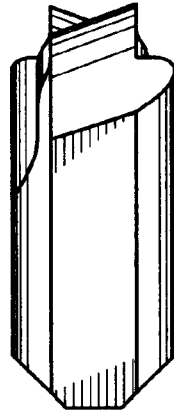


Fig.3

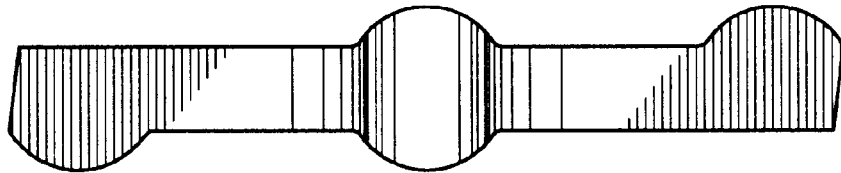


Fig.4

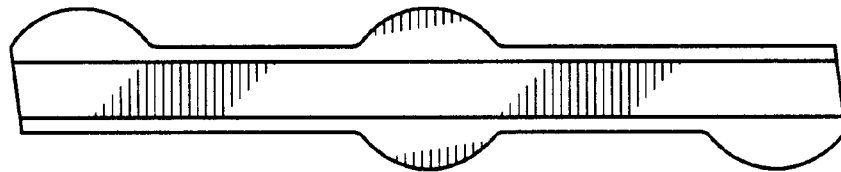


Fig.5