



US00D878547S

(12) **United States Design Patent**
Hu

(10) **Patent No.:** **US D878,547 S**

(45) **Date of Patent:** **** Mar. 17, 2020**

(54) **SNORKEL MASK**

(71) Applicant: **Yusong Hu**, Dongguan (CN)

(72) Inventor: **Yusong Hu**, Dongguan (CN)

(**) Term: **15 Years**

(21) Appl. No.: **29/616,924**

(22) Filed: **Sep. 11, 2017**

(51) **LOC (12) Cl.** **29-02**

(52) **U.S. Cl.**

USPC **D24/110.2**; D24/110.4

(58) **Field of Classification Search**

USPC D24/110–110.6; D29/110

CPC B63C 11/205; B63C 11/16; B63C 11/186;

B63C 11/12

See application file for complete search history.

(56) **References Cited**

U.S. PATENT DOCUMENTS

D775,722	S *	1/2017	Caprice	D24/110.2
D838,358	S *	1/2019	Xu	D24/110.2
D839,408	S *	1/2019	Hu	D24/110.2
D849,932	S *	5/2019	Caprice	D24/110.2
D851,747	S *	6/2019	Hu	D24/110
D859,642	S *	9/2019	Xiong	D24/110.2
D860,436	S *	9/2019	Chen	D24/110.2
2016/0297505	A1 *	10/2016	Caprice	B63C 11/16
2017/0096204	A1 *	4/2017	Cucchia	B63C 11/12
2017/0334531	A1 *	11/2017	Shiue	A62B 9/02
2018/0065719	A1 *	3/2018	Liao	B63C 11/14
2018/0134352	A1 *	5/2018	Armani	B63C 11/16
2018/0297676	A1 *	10/2018	Zheng	B63C 11/16
2018/0319471	A1 *	11/2018	Thomas	B63C 11/16

2019/0002068	A1 *	1/2019	Godoy	B63C 11/205
2019/0023366	A1 *	1/2019	Liao	B63C 11/16
2019/0039702	A1 *	2/2019	Gamberini	B63C 11/12
2019/0118918	A1 *	4/2019	Xiao	B63C 11/16
2019/0224506	A1 *	7/2019	Palmieri	A62B 9/02
2019/0225312	A1 *	7/2019	Barone	B63C 11/16

FOREIGN PATENT DOCUMENTS

EM	003873801-0002	*	4/2017
EM	004255503-0001	*	9/2017

* cited by examiner

Primary Examiner — Lilyana Bekic

(57) **CLAIM**

The ornamental design for a snorkel mask, as shown.

DESCRIPTION

FIG. 1 is a left side elevational view of a snorkel mask showing my new design;

FIG. 2 is a right side elevational view thereof;

FIG. 3 is a top plan view thereof;

FIG. 4 is a bottom plan view thereof;

FIG. 5 is a front elevational view thereof;

FIG. 6 is a rear elevational view thereof;

FIG. 7 is a left side, top, and front perspective view thereof;

FIG. 8 is a left side, bottom and front perspective view thereof;

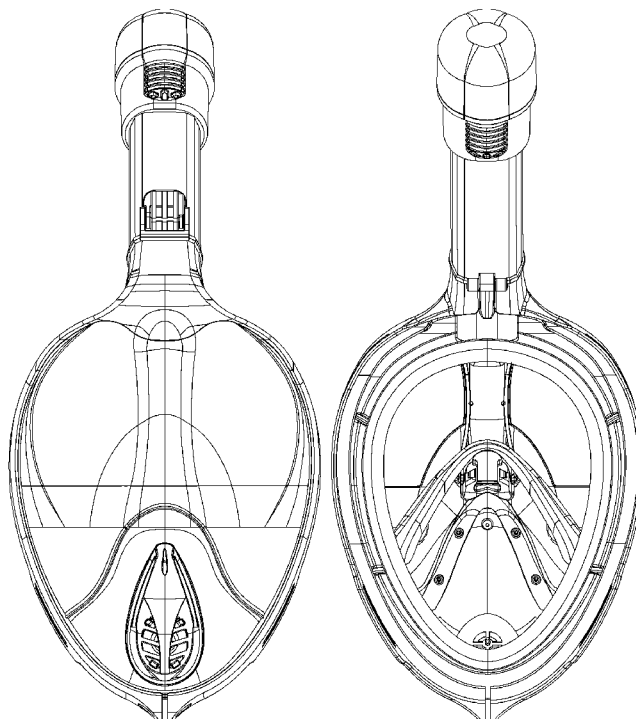
FIG. 9 is a right side, bottom and front perspective view thereof;

FIG. 10 is a rear perspective view thereof;

FIG. 11 is a bottom and rear perspective view thereof; and,

FIG. 12 is a top and rear perspective view thereof.

1 Claim, 12 Drawing Sheets



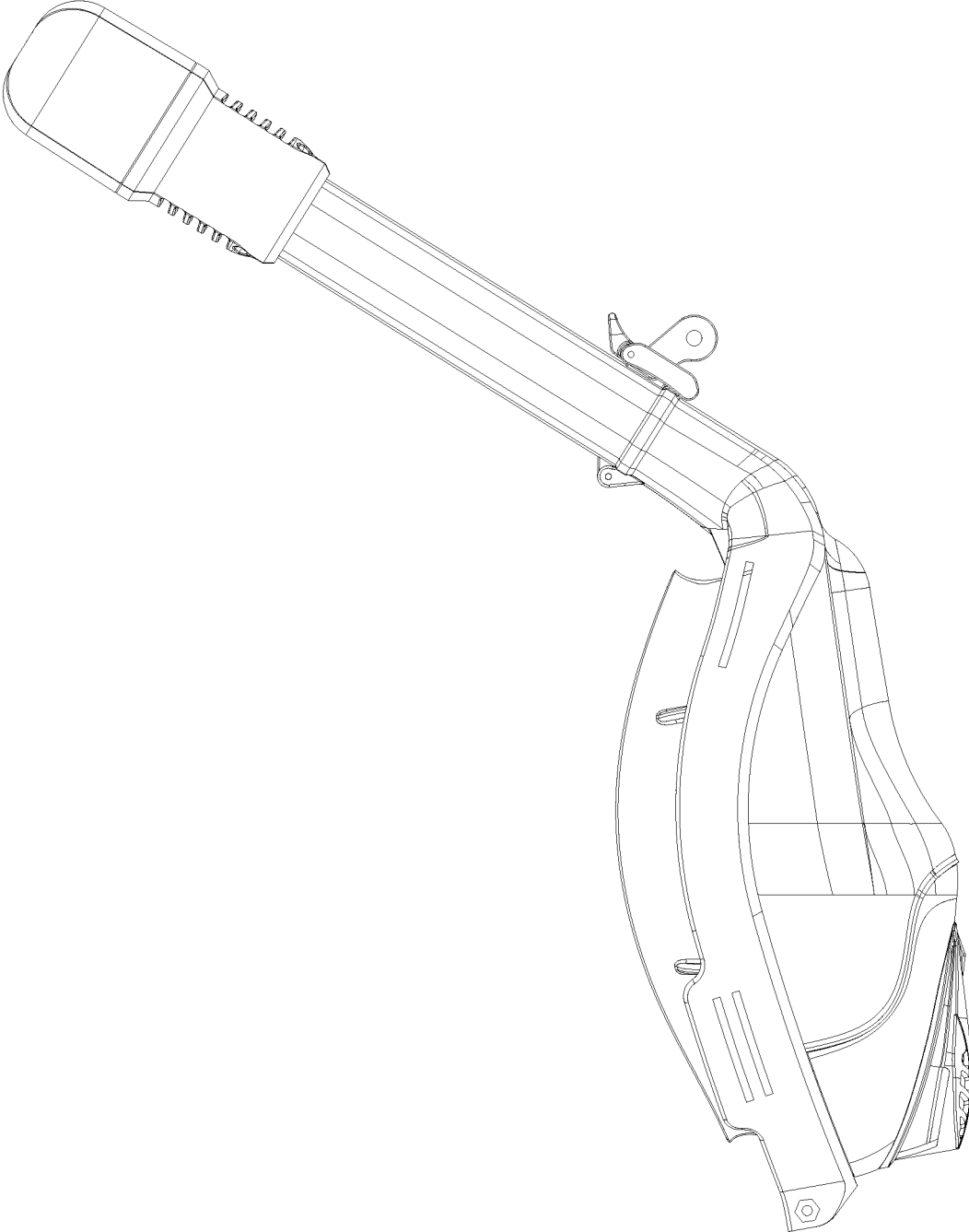


FIG. 1

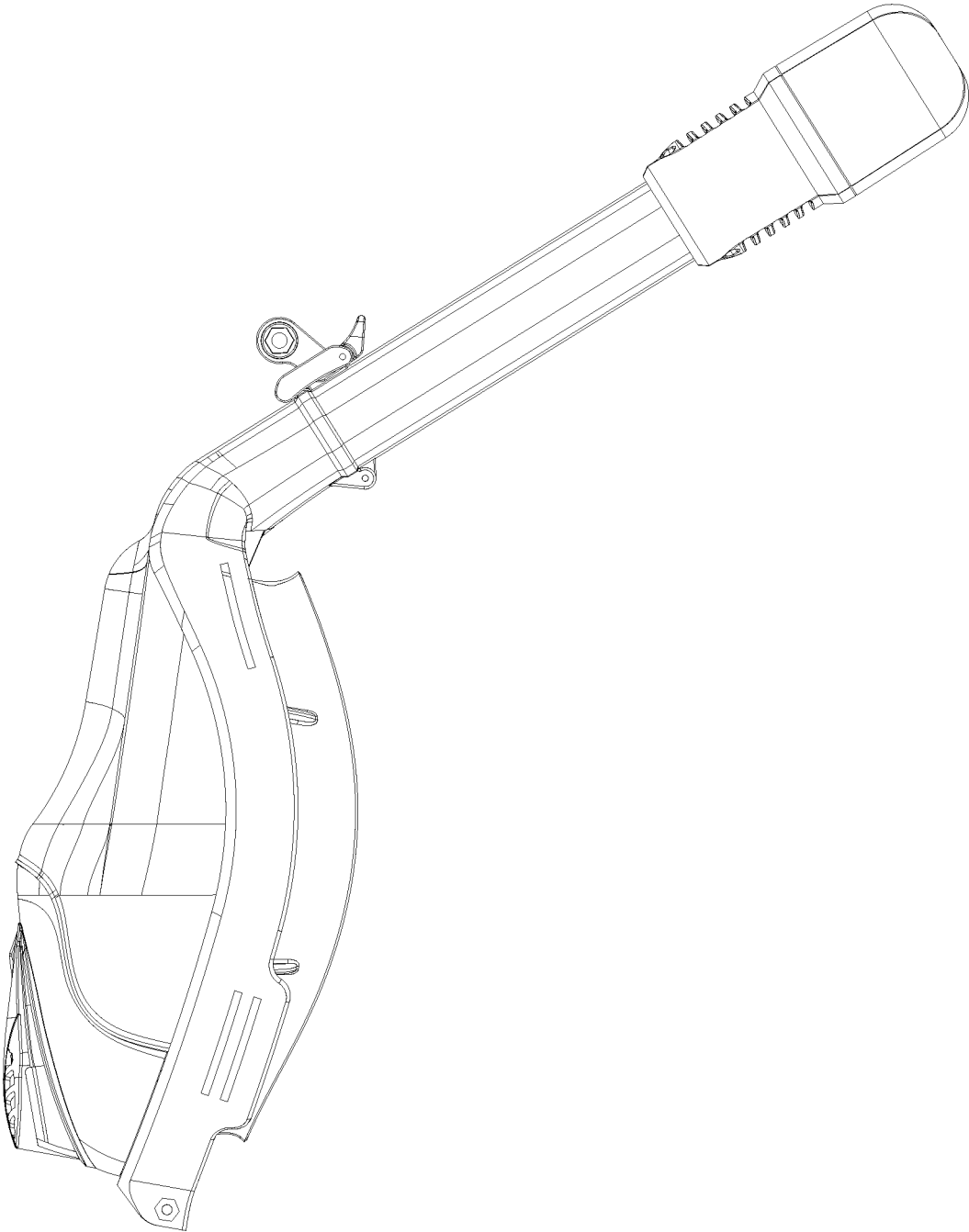


FIG. 2

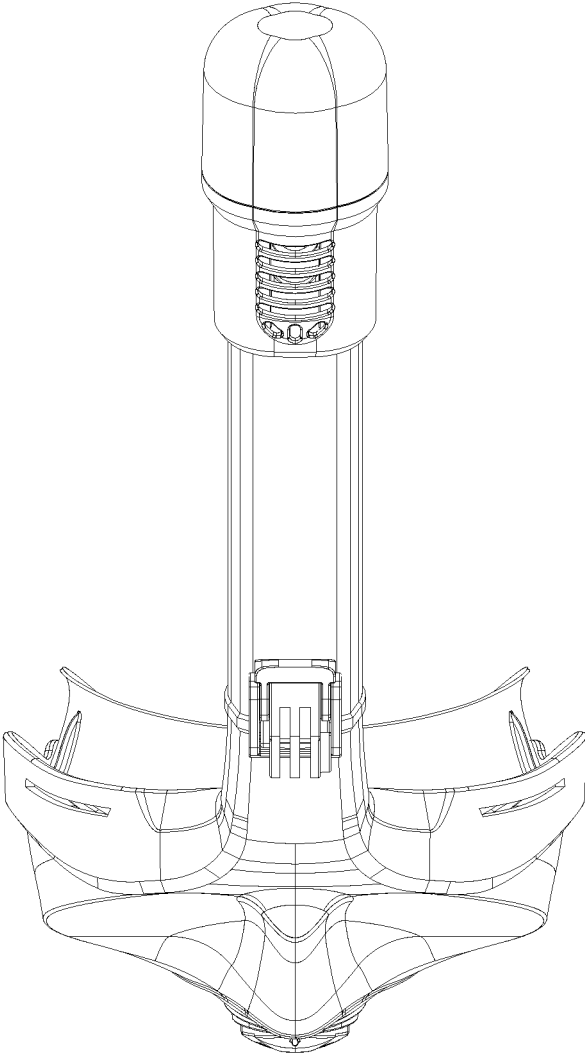


FIG. 3

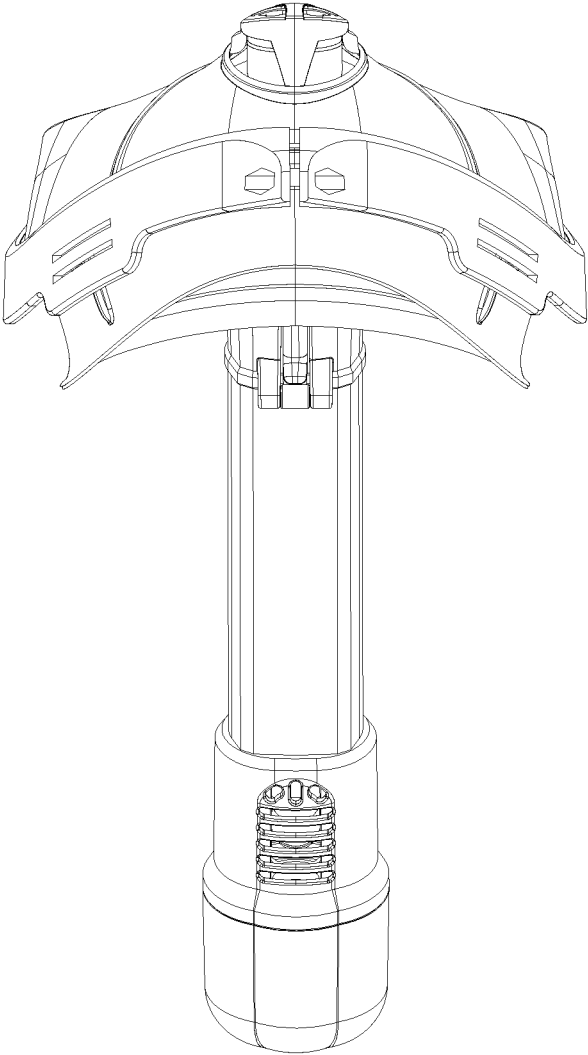


FIG. 4

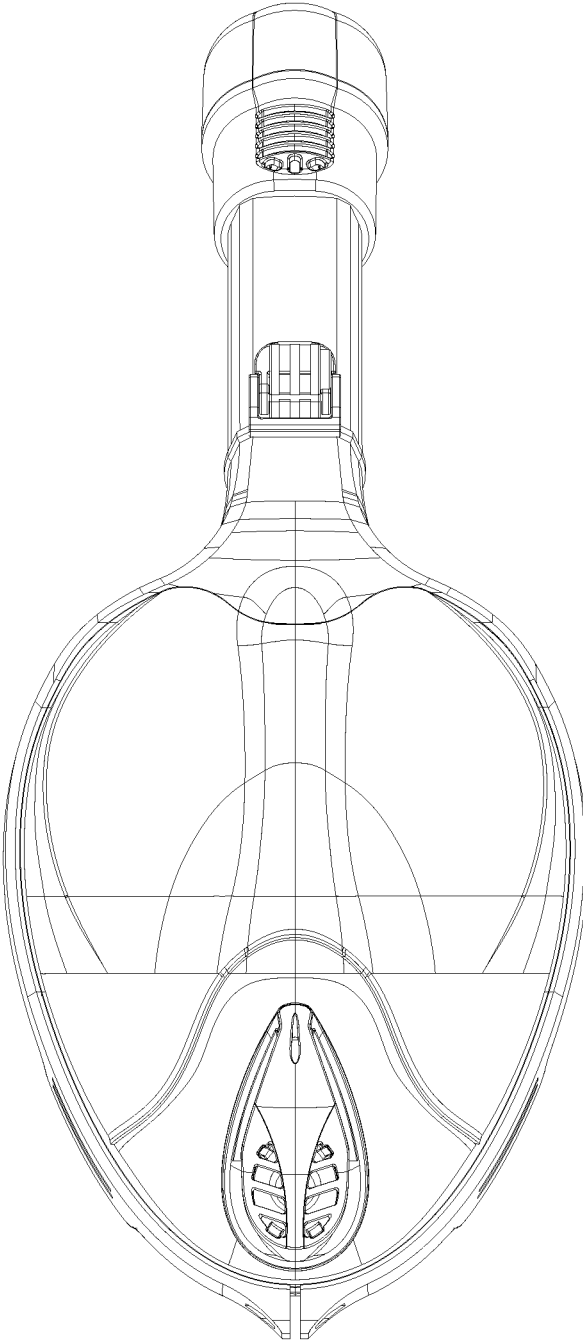


FIG. 5

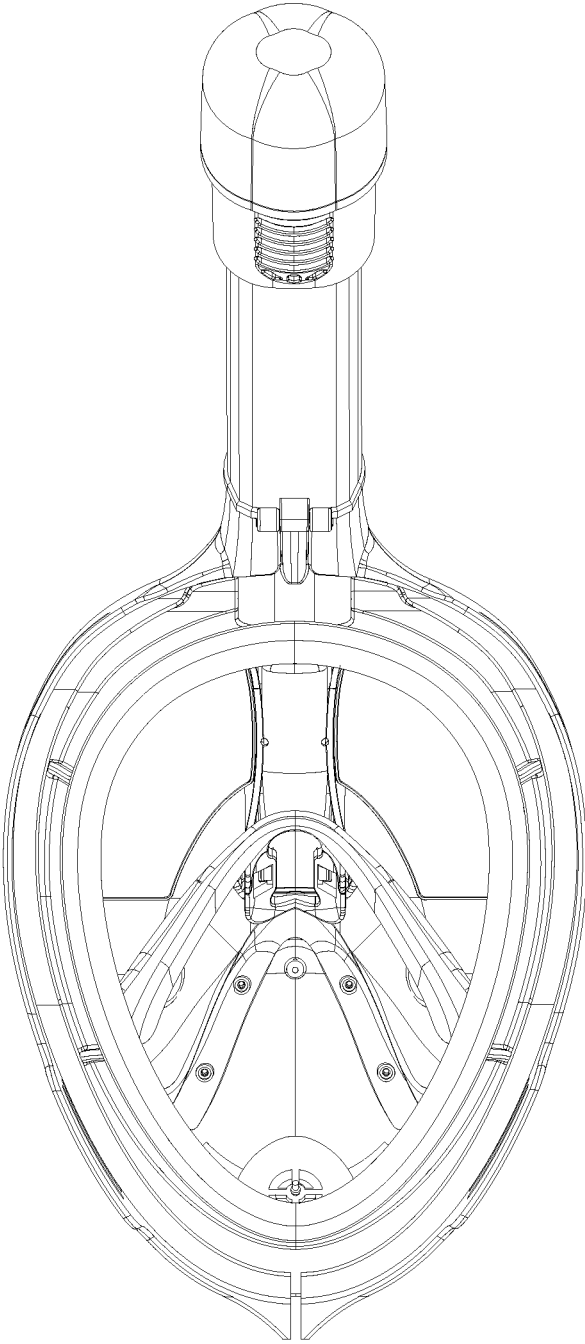


FIG. 6

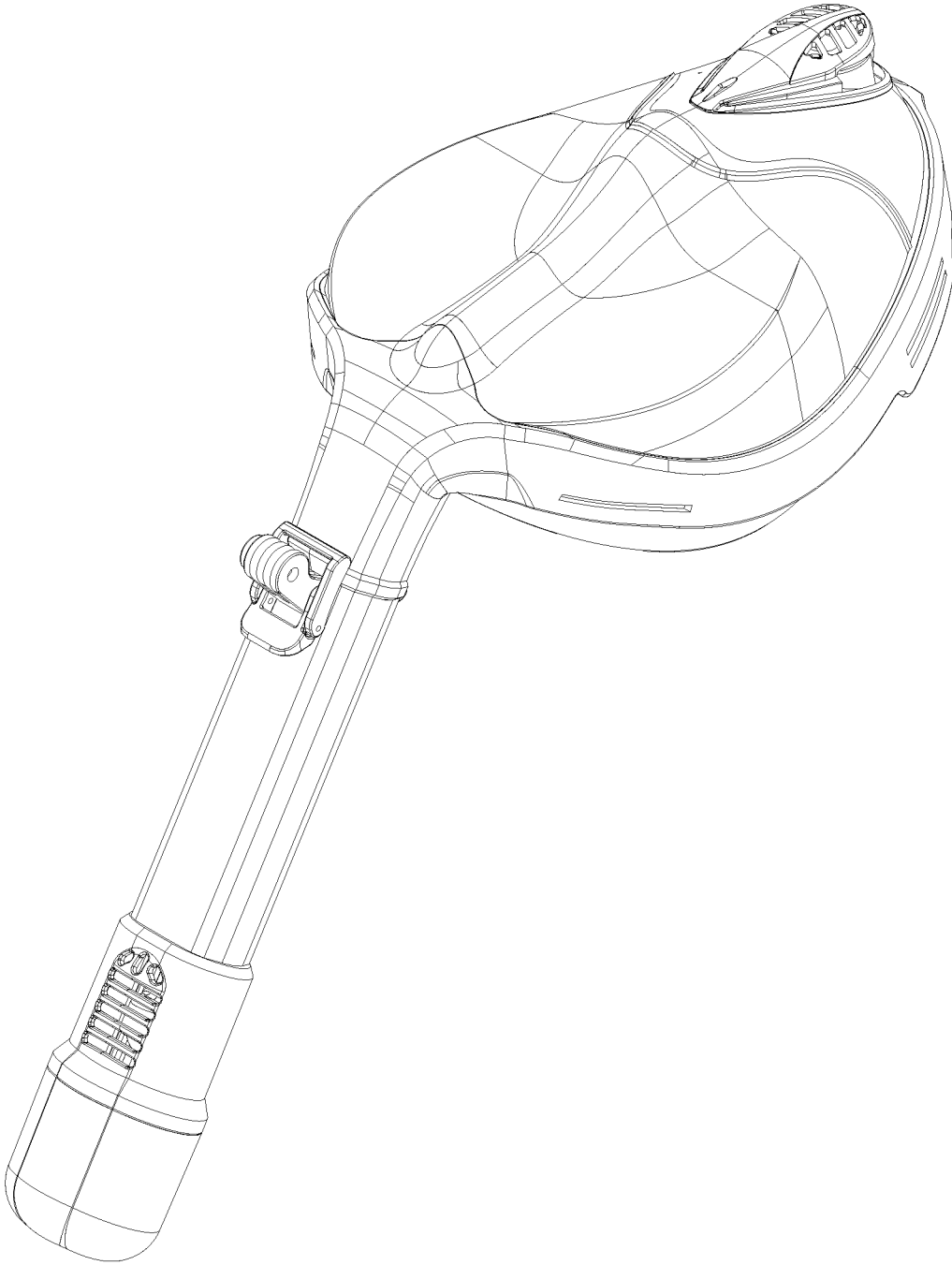


FIG. 7

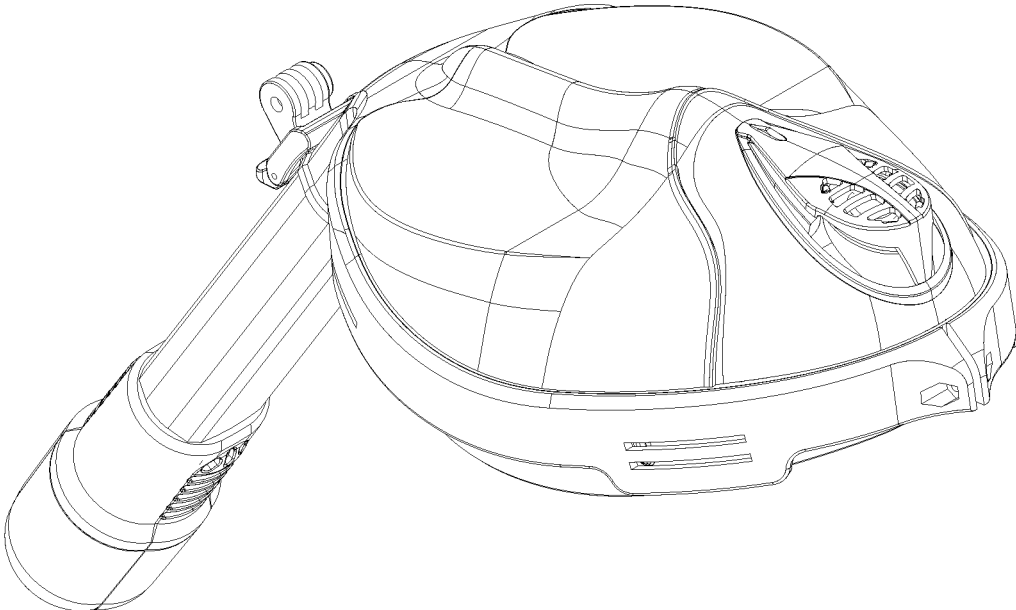


FIG. 8

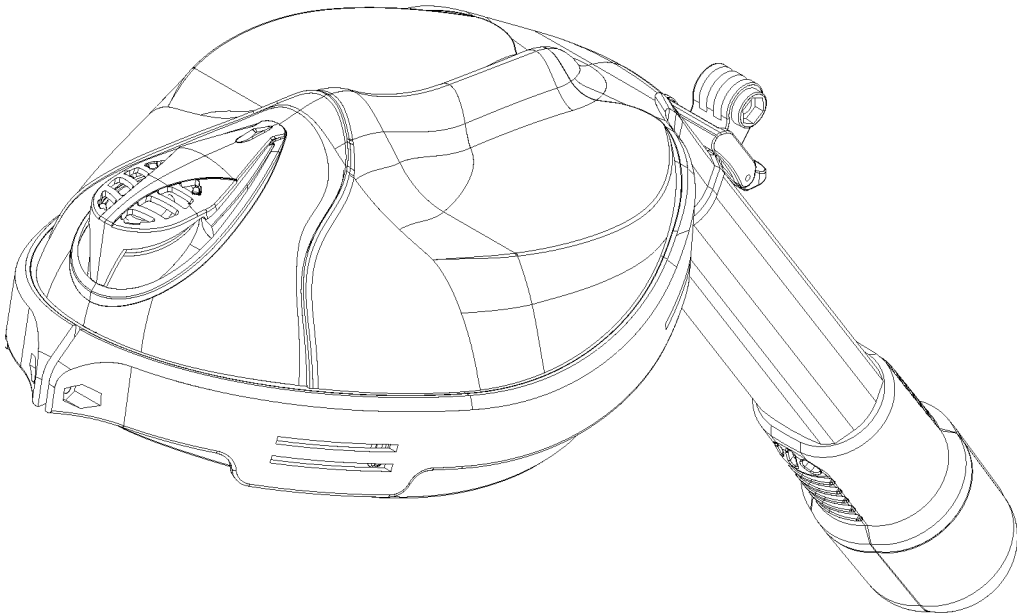


FIG. 9

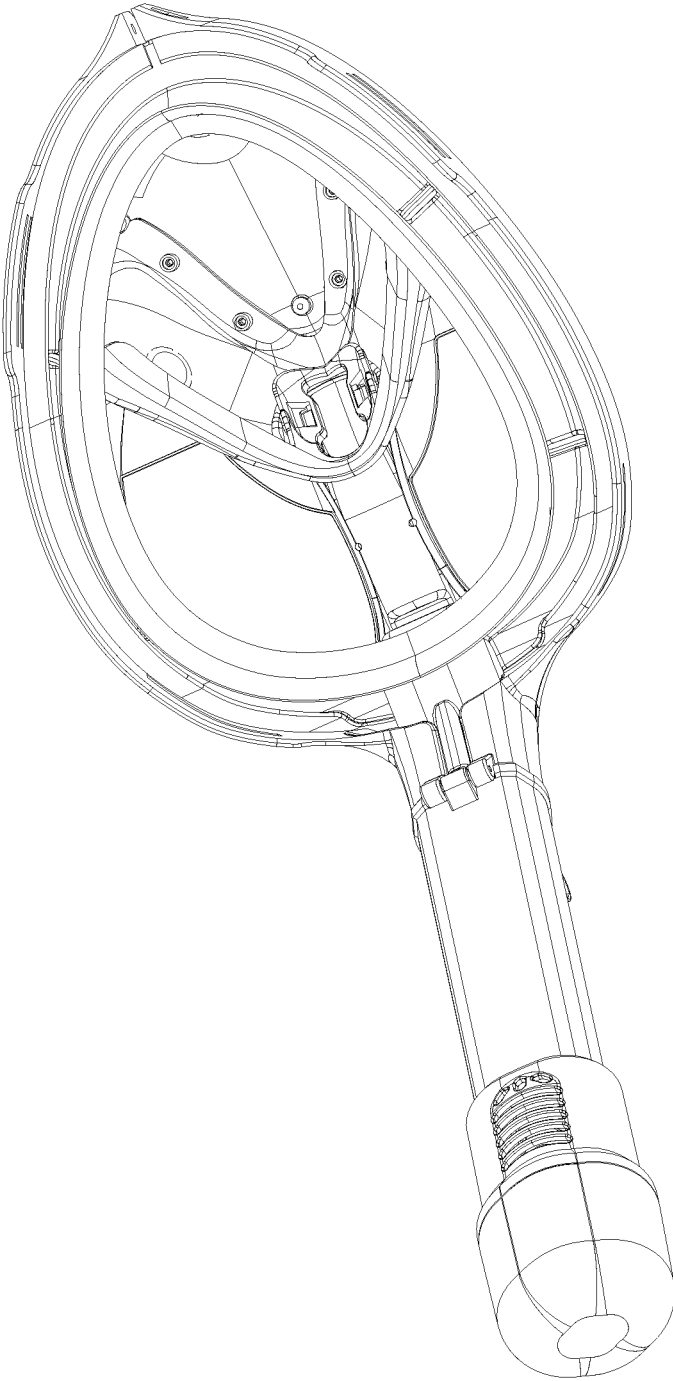


FIG. 10

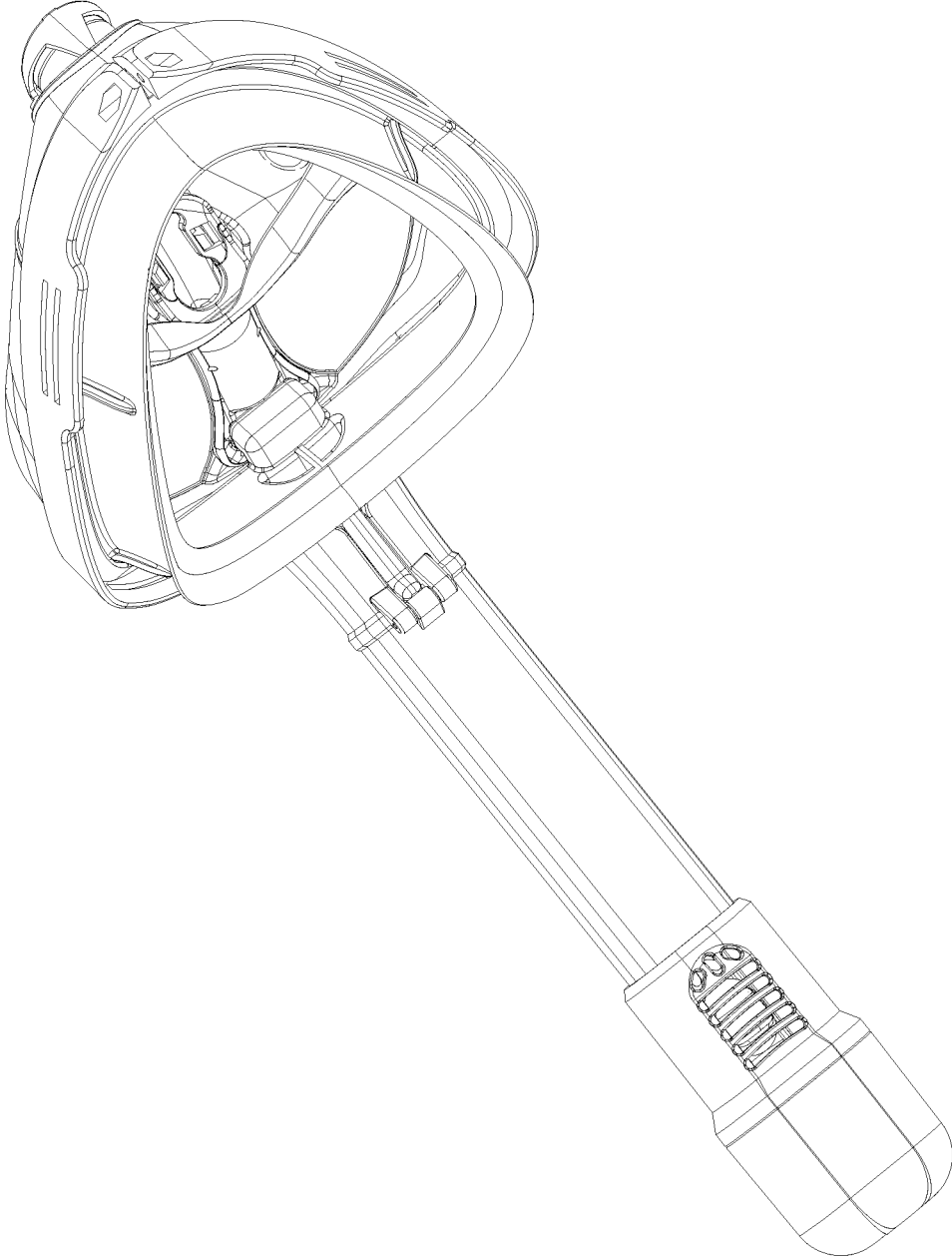


FIG. 11

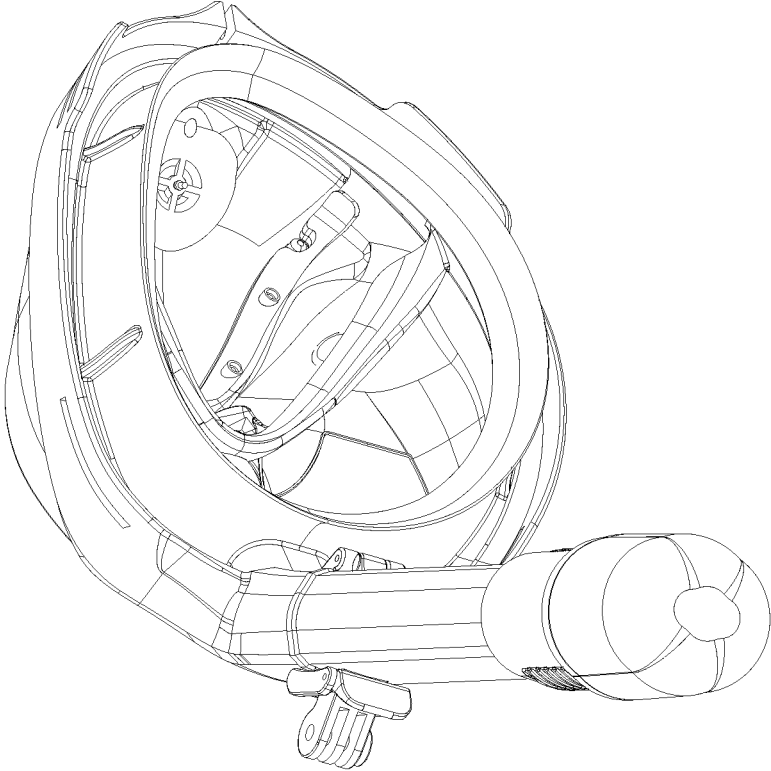


FIG. 12