



US00D347663S

# United States Patent [19]

[11] Patent Number: **Des. 347,663**

Ho

[45] Date of Patent: **\*\* Jun. 7, 1994**

[54] **APPARATUS FOR AN ELECTRONIC HANDHELD GAME HOUSING**

5,117,339	5/1992	Tortola et al.	273/148 B X
5,130,907	7/1992	Tortola et al.	273/148 B X
5,161,803	11/1992	Ohara	273/434 X

[75] Inventor: **Patrick T. Ho, Kwai Chung, Hong Kong**

[73] Assignee: **STD Electronic International Ltd., Hong Kong, Hong Kong**

[\*\*] Term: **14 Years**

[21] Appl. No.: **2,850**

[22] Filed: **Dec. 22, 1992**

[30] **Foreign Application Priority Data**

Jun. 22, 1992	[GB]	United Kingdom	2023753
[52]	U.S. Cl.		<b>D21/48</b>
[58]	Field of Search	273/148 B, 433-438, 273/DIG. 28; D21/13, 48; D14/124, 125, 217, 126	

[56] **References Cited**

**U.S. PATENT DOCUMENTS**

D. 309,161	7/1990	Leung	D21/13
D. 321,375	11/1991	Leung	D21/13
D. 332,804	1/1993	Li	D21/13

**OTHER PUBLICATIONS**

Playthings, 1988, p. 49, Item #202 as shown.  
Playthings, Apr. 1981, inside front cover, Miracle Baseball.

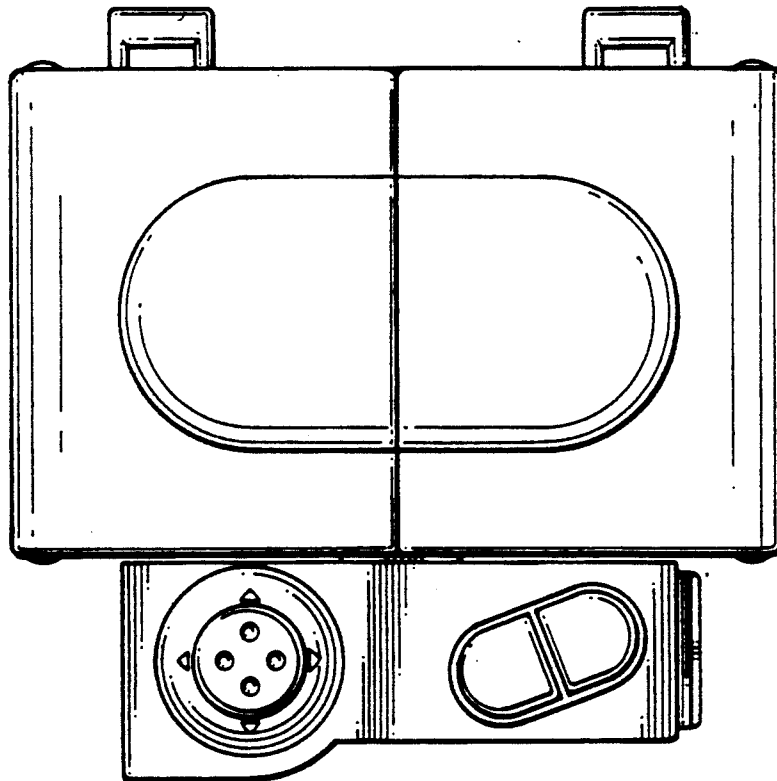
*Primary Examiner*—Prabhakar G. Deshmukh  
*Attorney, Agent, or Firm*—Burns, Doane, Swecker & Mathis

[57] **CLAIM**

The ornamental design for apparatus for an electronic handheld game housing, as shown and described.

**DESCRIPTION**

FIG. 1 is a front elevational view for an apparatus for an electronic handheld game housing showing my new design;  
 FIG. 2 is a rear elevational view thereof;  
 FIG. 3 is a right side view thereof;  
 FIG. 4 is a left side view thereof;  
 FIG. 5 is a top plan view thereof; and,  
 FIG. 6 is a bottom plan view thereof.



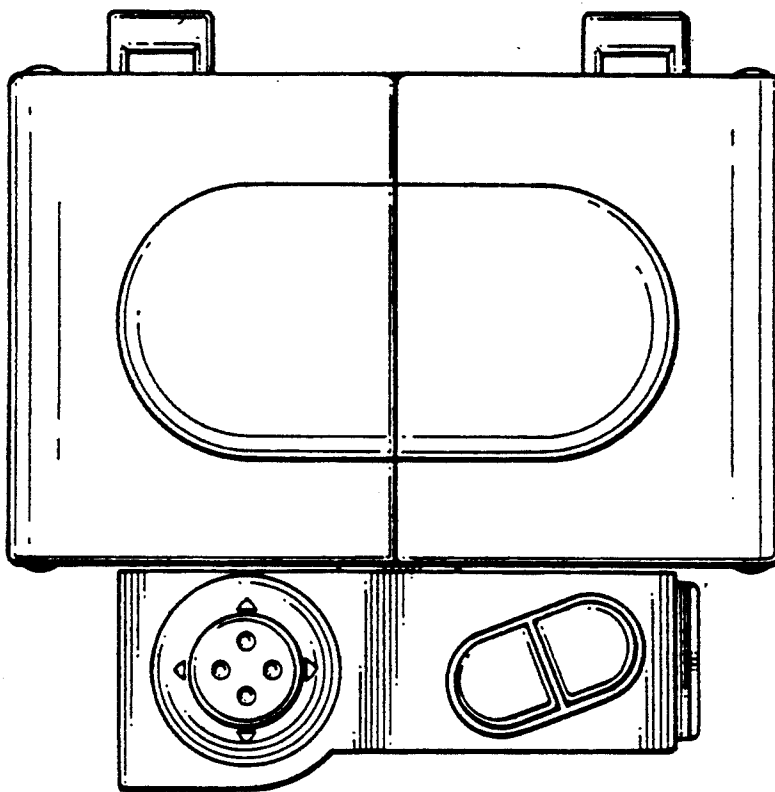


Fig. 1

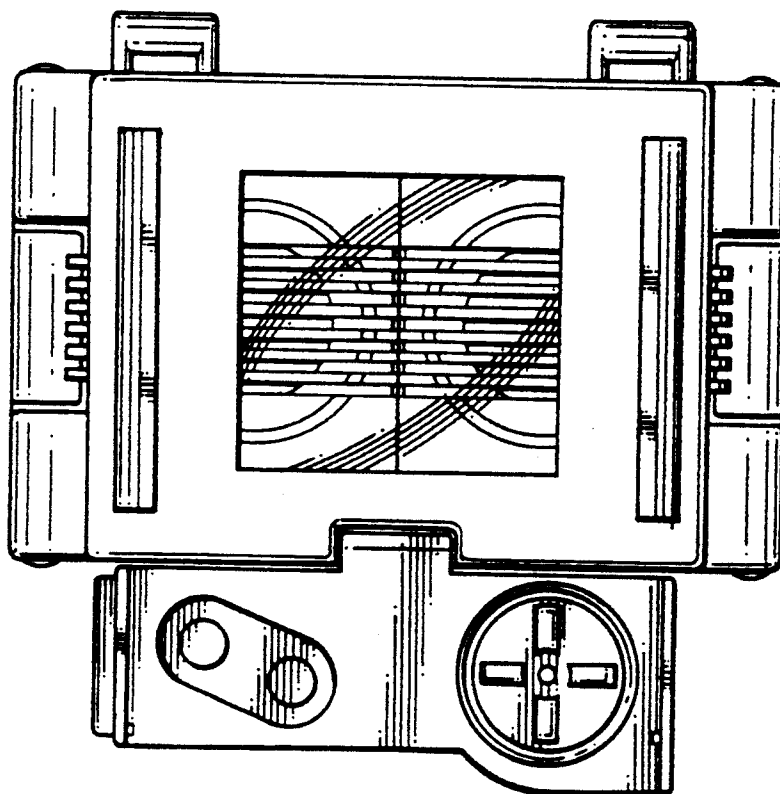


Fig. 2

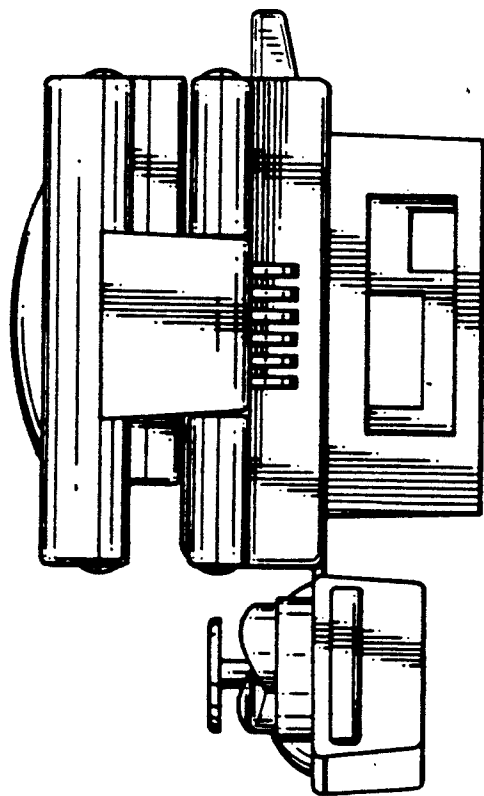


Fig. 3

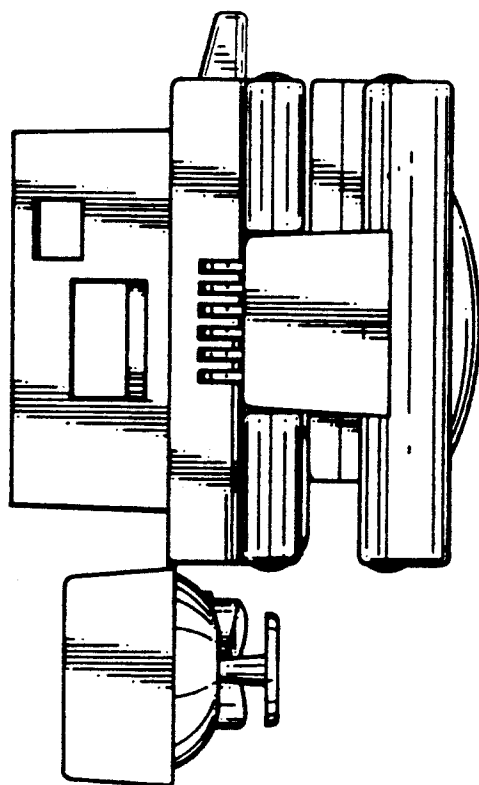


Fig. 4

Fig. 5

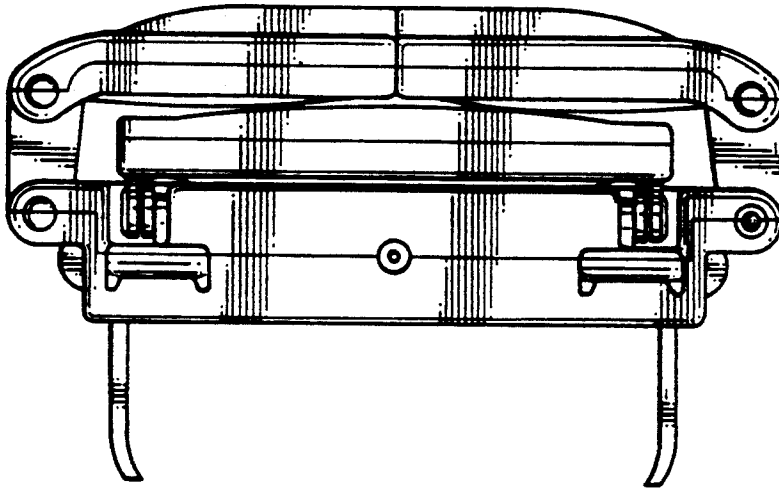


Fig. 6

