



US00D884887S

(12) **United States Design Patent**
Kangastupa

(10) **Patent No.:** **US D884,887 S**

(45) **Date of Patent:** **** May 19, 2020**

(54) **HAND OPERATED MEDICAL INSTRUMENT**

(71) Applicant: **VISIONISTI OY**, Seinäjoki (FI)

(72) Inventor: **Timo Kangastupa**, Seinäjoki (FI)

(73) Assignee: **VISIONISTI OY**, Seinajoki (FI)

(**) Term: **15 Years**

(21) Appl. No.: **29/674,812**

(22) Filed: **Dec. 26, 2018**

Related U.S. Application Data

(62) Division of application No. 29/565,550, filed on May 22, 2016.

Foreign Application Priority Data

Nov. 24, 2015 (EM) 002874420-0001
Nov. 24, 2015 (EM) 002874420-0002
Nov. 24, 2015 (EM) 002874420-0003
Nov. 24, 2015 (EM) 002874420-0004

(51) **LOC (12) Cl.** **24-01**

(52) **U.S. Cl.**
USPC **D24/129**

(58) **Field of Classification Search**

USPC D24/112-114, 133, 186, 104, 127, 130;
606/181, 185; 604/264, 272, 115, 232,
604/187, 158, 164.08, 192, 263, 163, 181,
604/184, 198, 227
CPC A61F 9/0026; A61F 9/0008; A61F 9/007;
A61F 2250/0007; A61M 5/46
See application file for complete search history.

(56) **References Cited**

U.S. PATENT DOCUMENTS

4,178,646 A * 12/1979 Swartz B67B 7/36
7/156
D275,453 S * 9/1984 Bankier D9/415

5,112,313 A * 5/1992 Sallee A61M 25/0612
604/180
5,334,162 A * 8/1994 Harris A61J 1/062
604/232
5,554,097 A * 9/1996 Guy A61B 1/00144
206/438
D387,665 S * 12/1997 Eichhorn D9/424
D416,086 S * 11/1999 Parris D24/112
D440,657 S * 4/2001 Wilkinson D24/130
D440,658 S * 4/2001 Wilkinson D24/130
D472,630 S * 4/2003 Douglas D24/108
D495,416 S * 8/2004 Dimeo A61J 1/2096
D24/108
D496,101 S * 9/2004 Davison D24/112
(Continued)

Primary Examiner — Nathan M Johnston

(74) *Attorney, Agent, or Firm* — Hoffmann & Baron, LLP

(57) **CLAIM**

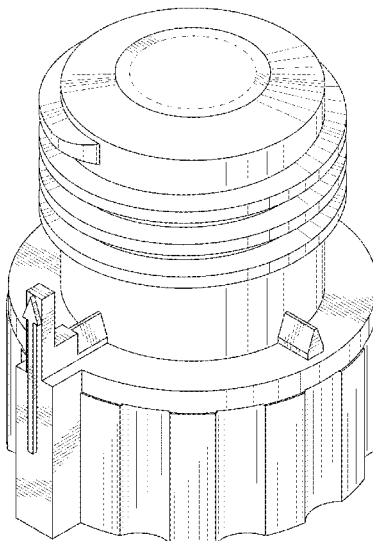
The ornamental design for a hand operated medical instrument, as shown and described.

DESCRIPTION

FIG. 1 is a top, front and left side perspective view of a hand operated medical instrument showing my new design; FIG. 2 is a front view thereof; FIG. 3 is a rear view thereof; FIG. 4 is a left side view thereof; FIG. 5 is a right side view thereof; FIG. 6 is a top view thereof; and, FIG. 7 is a bottom view thereof.

The dashed lines immediately adjacent to the shaded areas in the figures represent the boundaries of the claimed design. The dashed lines in the figures illustrate the portions of the design that form no part of the claimed design. None of the broken lines form any part of the claimed design.

1 Claim, 7 Drawing Sheets



(56)

References Cited

U.S. PATENT DOCUMENTS

7,628,772	B2 *	12/2009	McConnell	A61J 1/2096	604/181	2010/0268116	A1 *	10/2010	Fojtik	A61M 5/3129
D612,939	S *	3/2010	Boone, III	D24/133	604/181	2010/0298815	A1 *	11/2010	Scifert	A61L 24/0084
7,691,071	B2 *	4/2010	Kojima	A61B 5/0006	604/181						604/890.1
D616,984	S *	6/2010	Gilboa	D24/129	600/347	2011/0077600	A1 *	3/2011	Uchida	A61M 5/326
7,763,006	B2 *	7/2010	Tennican	A61M 39/165	604/198	2011/0288574	A1 *	11/2011	Curry	A61B 5/15194
D644,319	S *	8/2011	Virr	D24/110	606/185	2012/0150125	A1 *	6/2012	Karlsson	A61M 5/326
D673,261	S *	12/2012	Rapoport	D24/110	604/198	2012/0165745	A1 *	6/2012	Nielsen	A61M 5/3202
8,608,710	B2 *	12/2013	Zhao	A61M 5/329	604/192	2012/0247477	A1 *	10/2012	Stephenson	A61M 16/04
D748,498	S *	2/2016	Pipes	D9/424	128/207.14	2012/0259281	A1 *	10/2012	Wei	A61M 5/326
2002/0092521	A1 *	7/2002	Sullivan	A61M 15/0028	604/111	2014/0188046	A1 *	7/2014	DiBiasi	A61M 5/3202
2004/0006312	A1 *	1/2004	Donnan	A61M 5/1782	604/111	2014/0228766	A1 *	8/2014	Iio	A61M 5/00
2004/0098010	A1 *	5/2004	Davison	A61B 5/150206	604/187	2014/0249481	A1 *	9/2014	Slemmen	A61M 5/326
2007/0282275	A1 *	12/2007	Ferguson	A61B 5/150587	604/198	2015/0328412	A1 *	11/2015	Bates	A61M 5/002
2009/0287237	A1 *	11/2009	Nicholls	A61B 5/150916	604/117	2016/0073943	A1 *	3/2016	Cheng	A61B 5/15186
					606/182	606/181						606/181

* cited by examiner

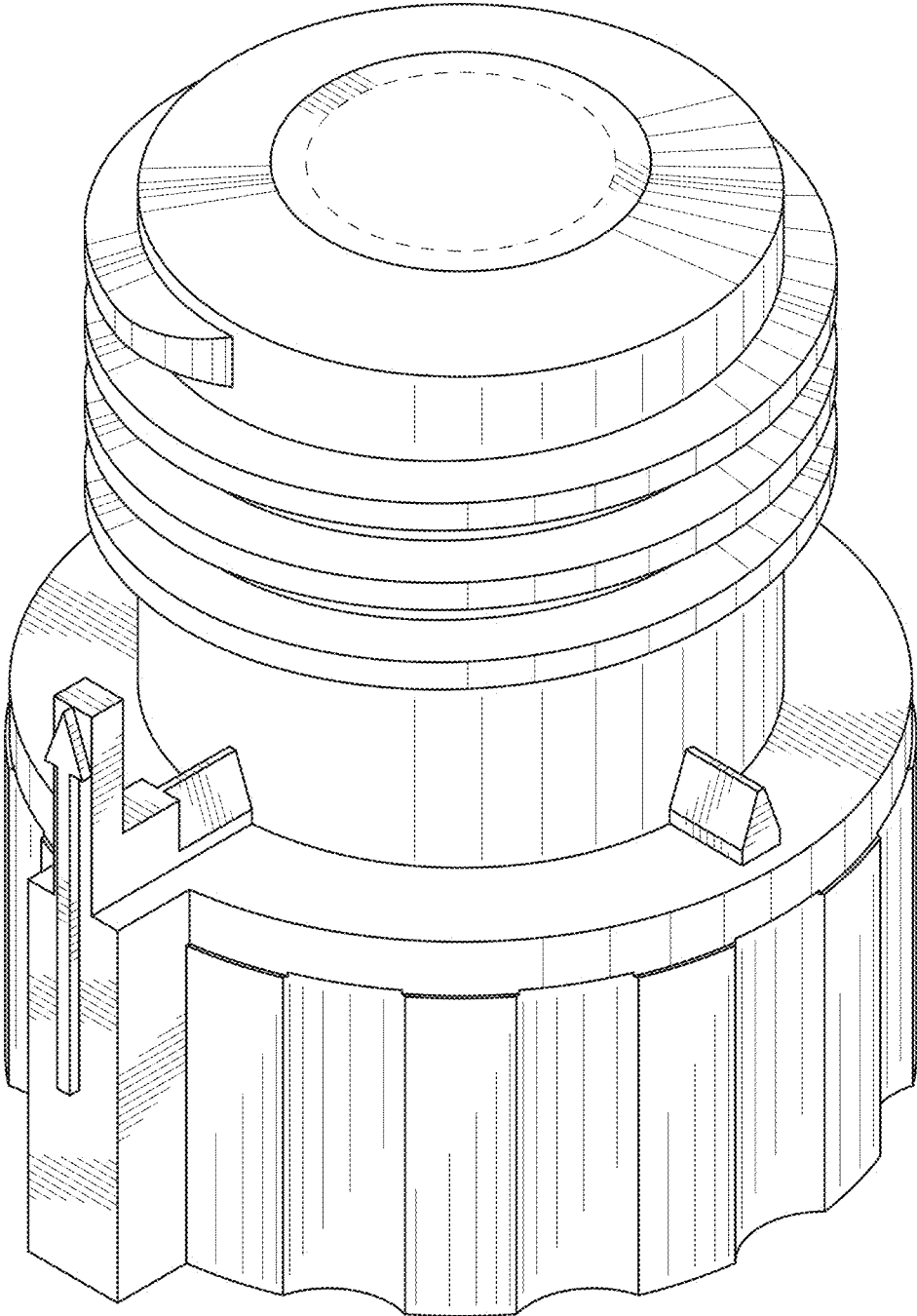


FIG. 1

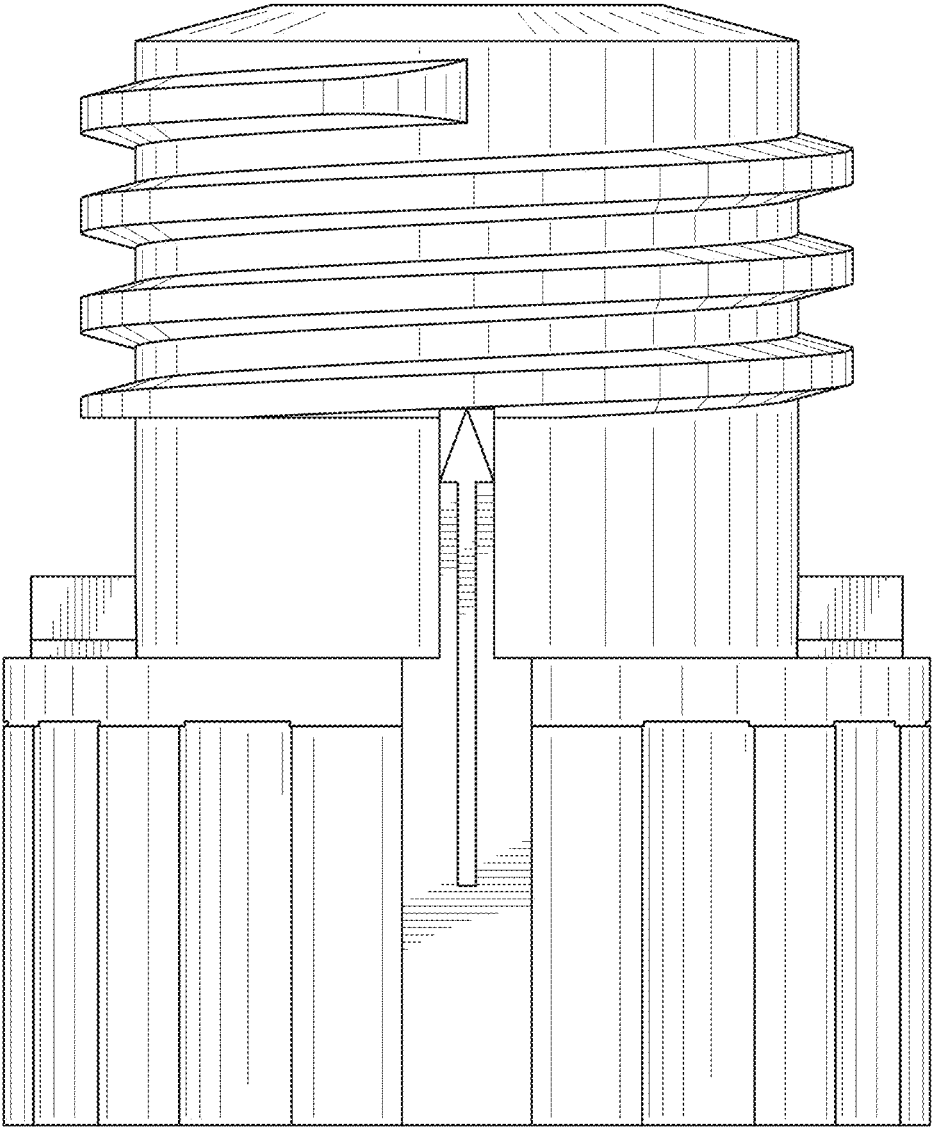


FIG. 2

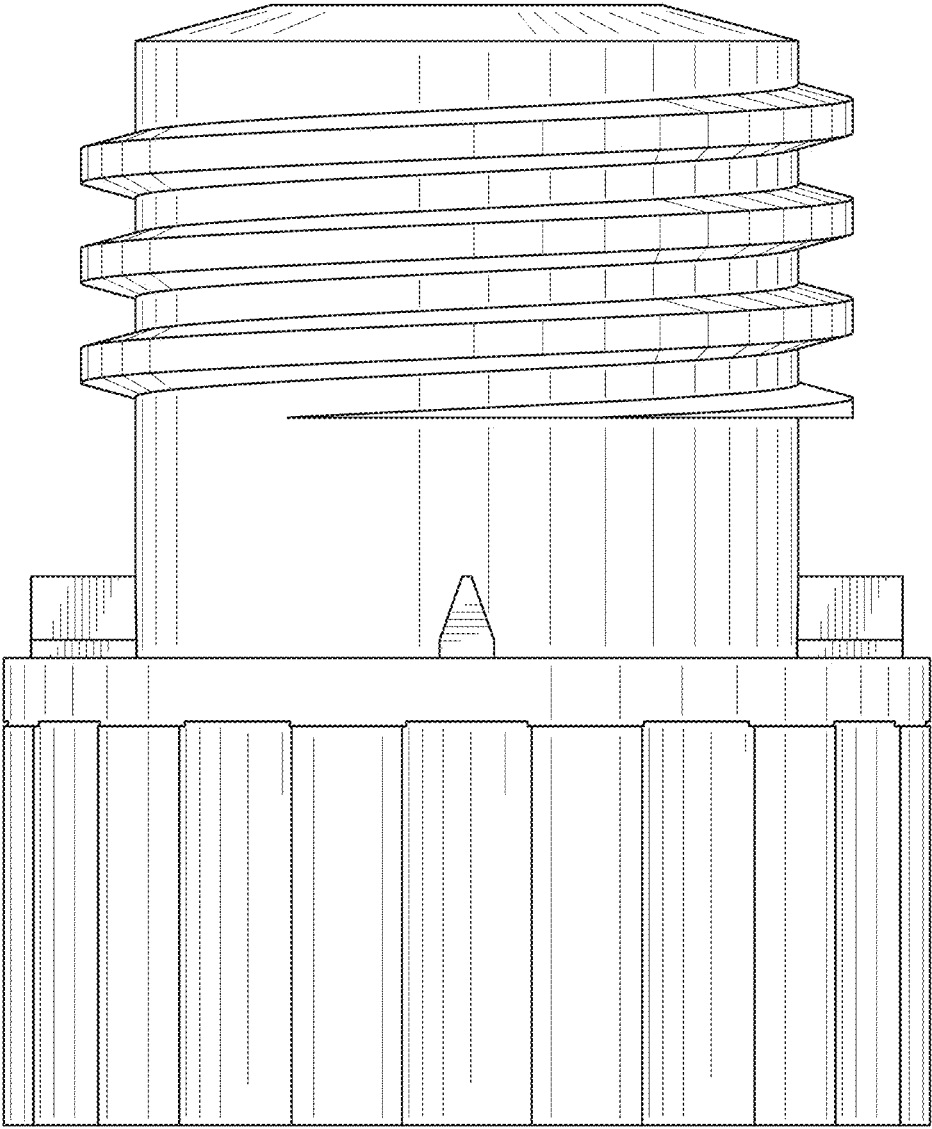


FIG. 3

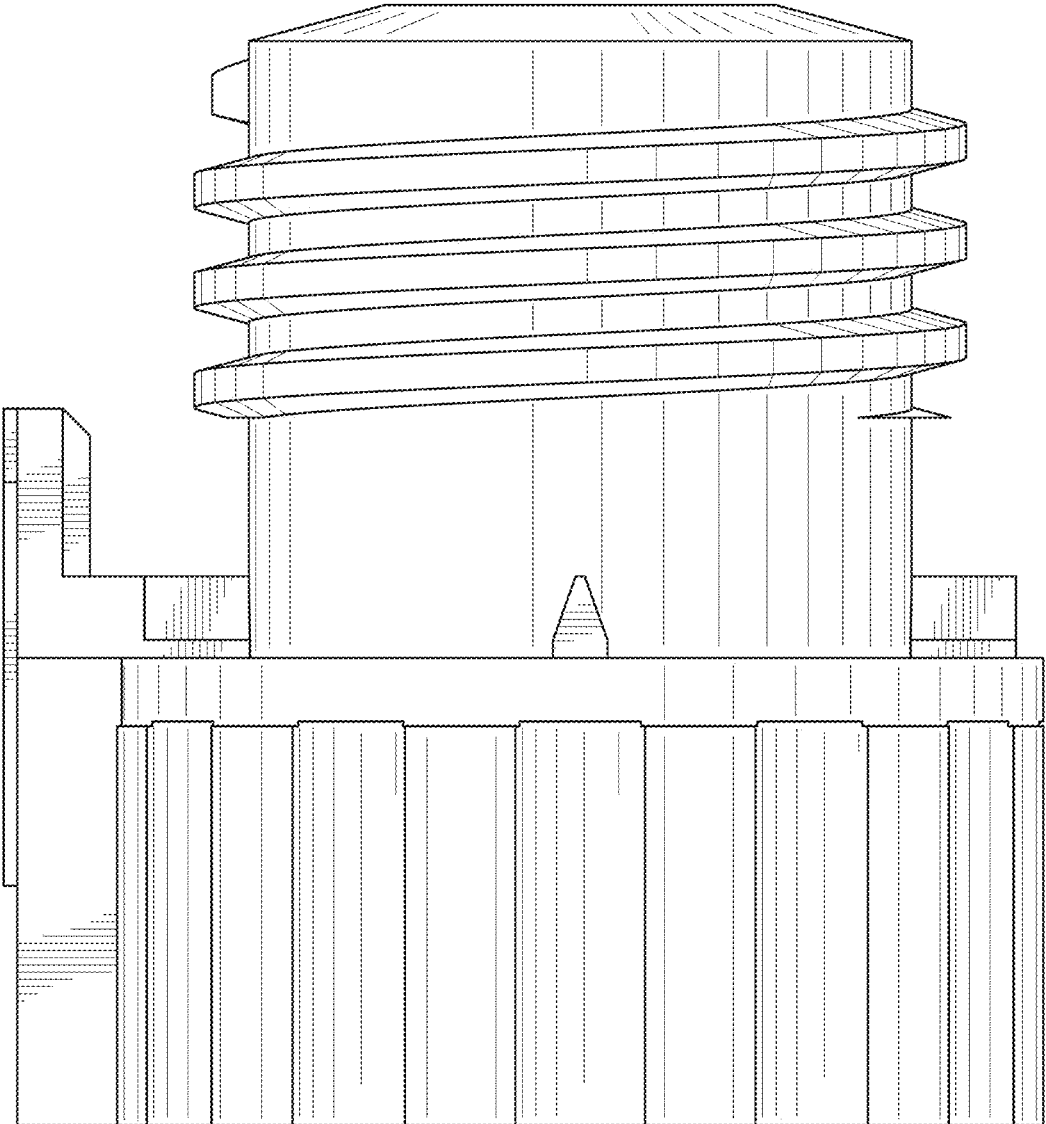


FIG. 4

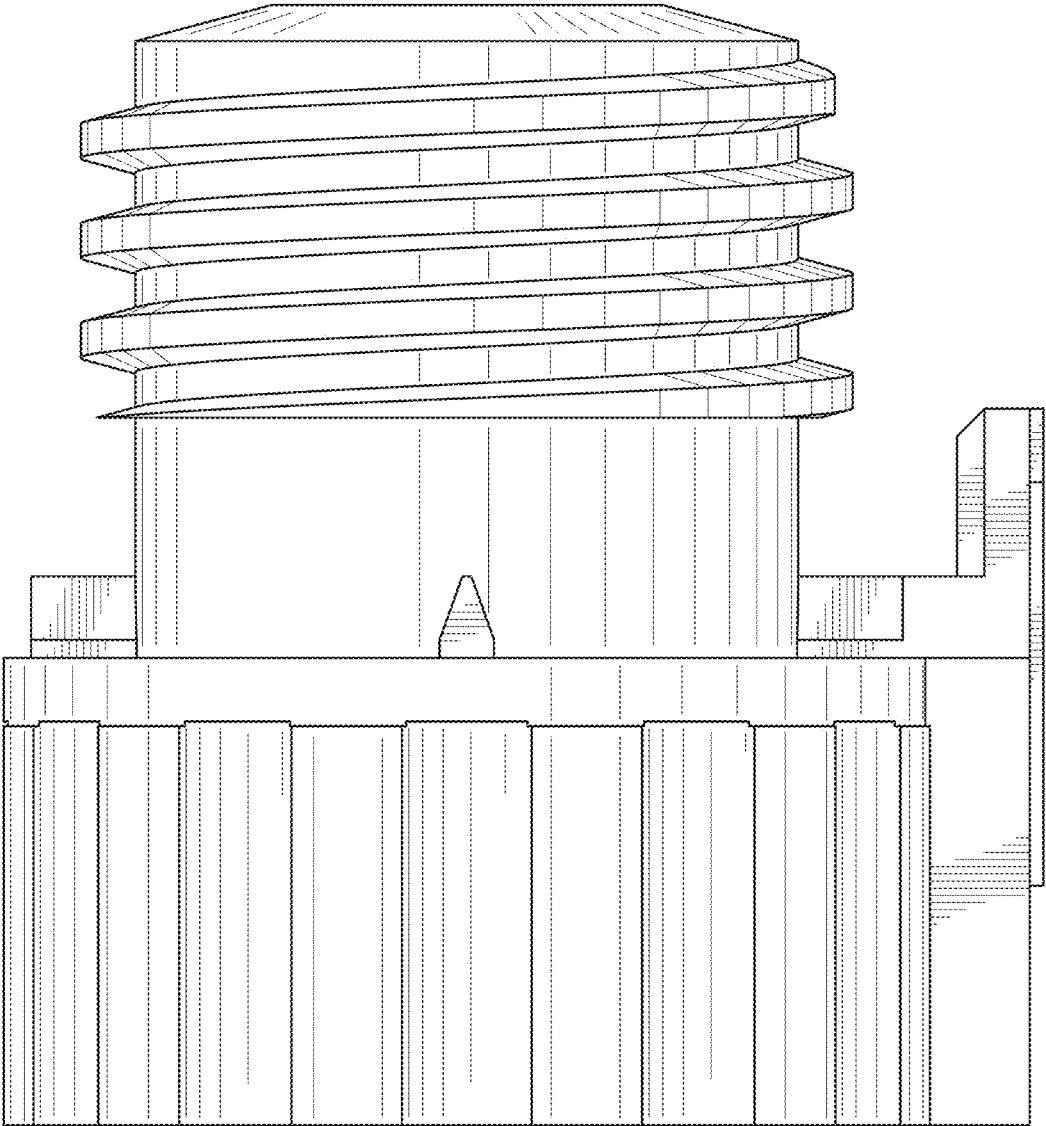


FIG. 5

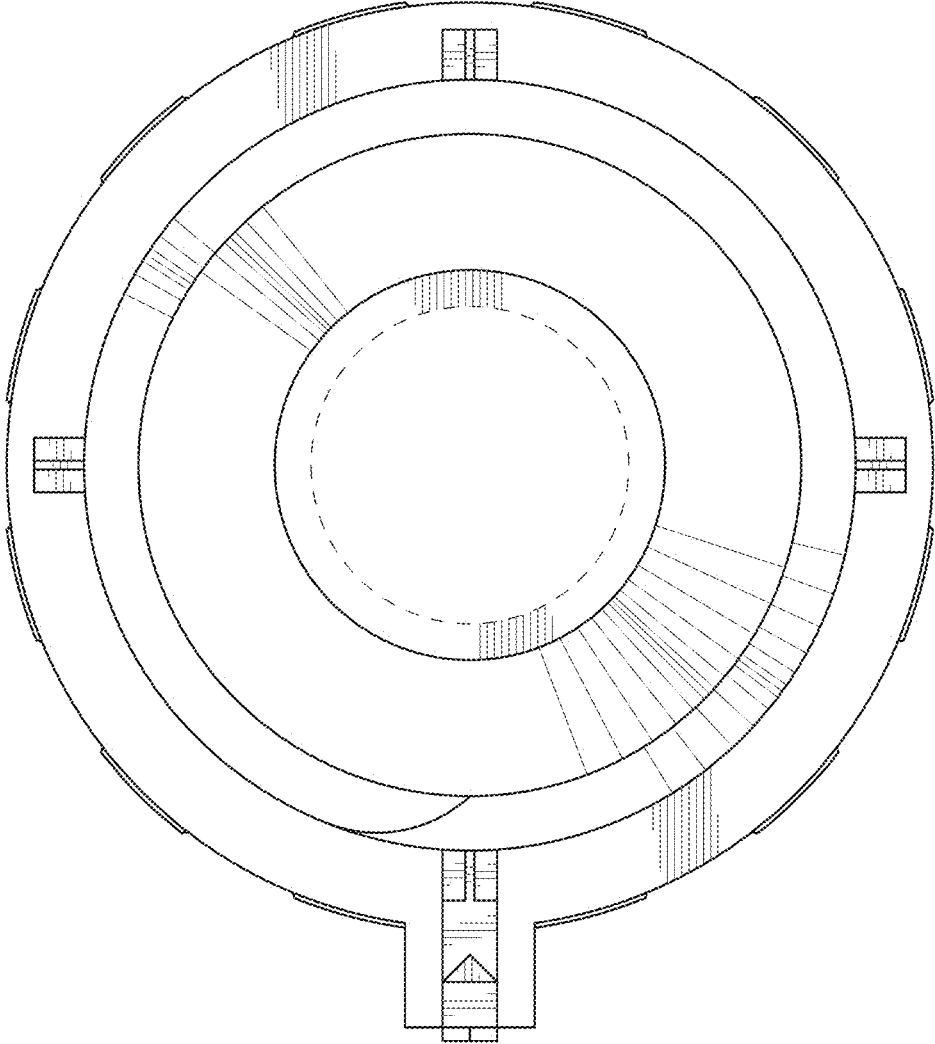


FIG. 6

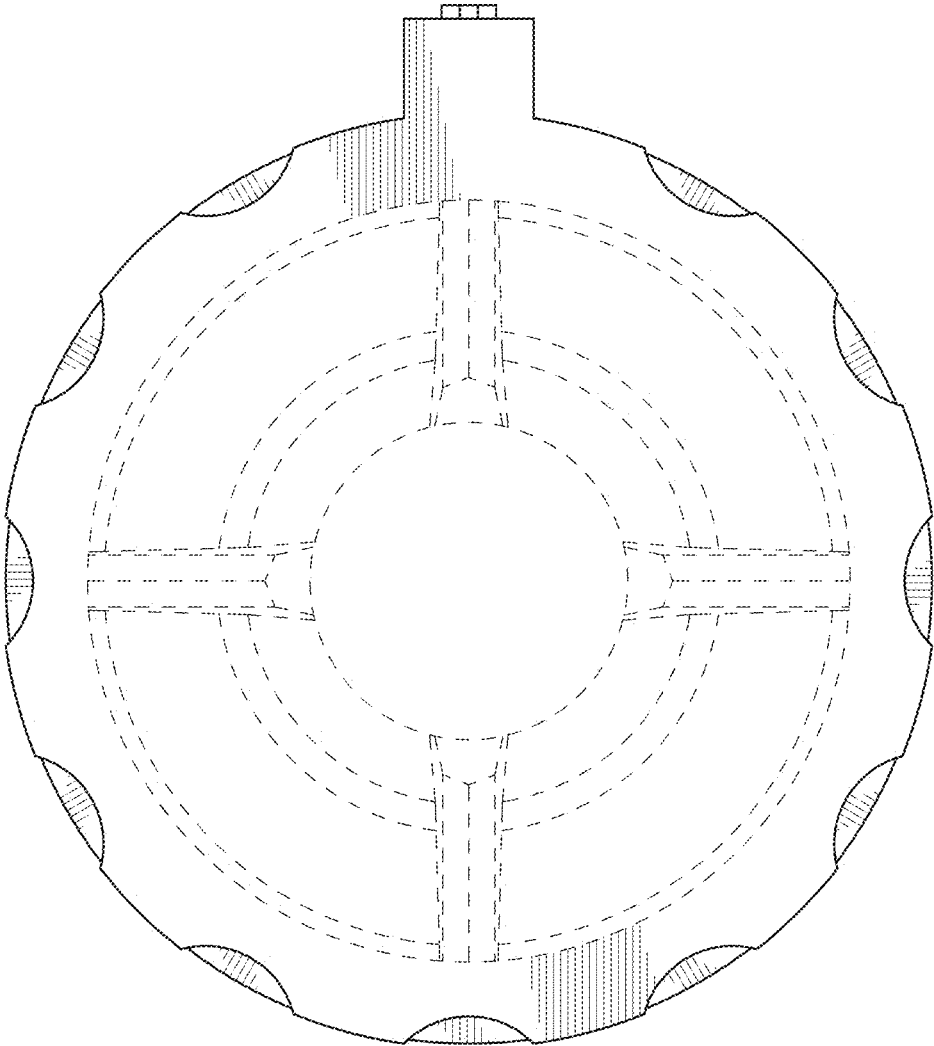


FIG. 7