



US00D518058S

(12) **United States Design Patent**
Hart et al.

(10) **Patent No.:** **US D518,058 S**

(45) **Date of Patent:** **** Mar. 28, 2006**

(54) **DATA CARD**

(75) Inventors: **Allison M. Hart**, Charlotte, NC (US);
Rebecka D. Keelan Nelli, Charlotte,
NC (US); **R. Bruce Montgomery, Jr.**,
Charlotte, NC (US)

(73) Assignee: **Bank of America Corporation**,
Charlotte, NC (US)

(**) Term: **14 Years**

(21) Appl. No.: **29/216,195**

(22) Filed: **Oct. 29, 2004**

Related U.S. Application Data

(63) Continuation of application No. 29/196,575, filed on Dec. 31, 2003, now abandoned.

(51) **LOC (8) Cl.** **14-02**

(52) **U.S. Cl.** **D14/436; D19/9**

(58) **Field of Classification Search** D14/432-38;
361/736-7, 686; D13/182, 184; 40/124.01;
235/487-95, 441-3, 375; 283/900, 904; 257/378-9;
174/52.1; 439/135, 140, 76.1; D19/9, 10
See application file for complete search history.

(56) **References Cited**

U.S. PATENT DOCUMENTS

| | | | | | |
|-------------|---|--------|--------------|-------|---------|
| 6,012,636 A | * | 1/2000 | Smith | | 235/380 |
| D453,161 S | * | 1/2002 | Pentz | | D14/436 |
| D453,336 S | * | 2/2002 | Pentz et al. | | D14/436 |
| D453,337 S | * | 2/2002 | Pentz et al. | | D14/436 |
| D453,338 S | * | 2/2002 | Pentz et al. | | D14/436 |
| D453,339 S | * | 2/2002 | Pentz | | D14/436 |
| D453,516 S | * | 2/2002 | Pentz | | D14/436 |
| D453,517 S | * | 2/2002 | Pentz | | D14/436 |
| D454,910 S | * | 3/2002 | Smith et al. | | D19/9 |
| D456,814 S | * | 5/2002 | Pentz | | D14/436 |
| D457,556 S | * | 5/2002 | Hochschild | | D19/9 |
| D460,454 S | * | 7/2002 | Pentz | | D14/436 |
| D460,455 S | * | 7/2002 | Pentz | | D14/436 |
| D461,477 S | * | 8/2002 | Pentz | | D14/436 |
| D462,714 S | * | 9/2002 | Creighton | | D19/9 |
| D462,965 S | * | 9/2002 | Pentz | | D14/436 |
| D462,966 S | * | 9/2002 | Pentz et al. | | D14/436 |

| | | | | | |
|------------|---|--------|---------------|-------|--------|
| D478,622 S | * | 8/2003 | Grayson | | D19/10 |
| D487,480 S | * | 3/2004 | Nelms et al. | | D19/9 |
| D490,103 S | * | 5/2004 | Rangel et al. | | D19/10 |

FOREIGN PATENT DOCUMENTS

CA 2300241 9/2000

* cited by examiner

Primary Examiner—M. H. Tung

(74) *Attorney, Agent, or Firm*—Moore & Van Allen PLLC;
Michael G. Johnston

(57) **CLAIM**

We claim the ornamental design for a data card, as shown and described.

DESCRIPTION

FIG. 1 is a perspective view of a data card showing our new design.

FIG. 2 is a top plan view of the data card as shown in FIG. 1 showing our new design.

FIG. 3 is a front elevational view of the data card as shown in FIG. 1 showing our new design.

FIG. 4 is a left side view of the data card as shown in FIG. 1 showing our new design.

FIG. 5 is a right side view of the data card as shown in FIG. 1 showing our new design.

FIG. 6 is a rear elevational view of the data card as shown in FIG. 1 showing our new design.

FIG. 7 is a bottom plan view of the data card as shown in FIG. 1 showing our new design.

FIG. 8 is a perspective view of a second embodiment of a data card showing our new design.

FIG. 9 is a top plan view of the data card as shown in FIG. 8 showing our new design.

FIG. 10 is a front elevational view of the data card as shown in FIG. 8 showing our new design.

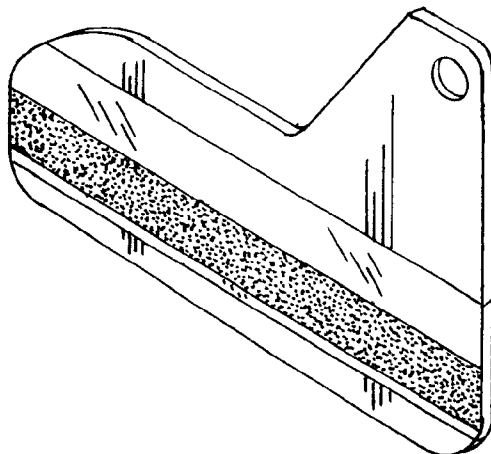
FIG. 11 is a left side view of the data card as shown in FIG. 8 showing our new design.

FIG. 12 is a right side view of the data card as shown in FIG. 8 showing our new design.

FIG. 13 is a rear elevational view of the data card as shown in FIG. 8 showing our new design; and,

FIG. 14 is a bottom plan view of the data card as shown in FIG. 8 showing our new design.

1 Claim, 2 Drawing Sheets



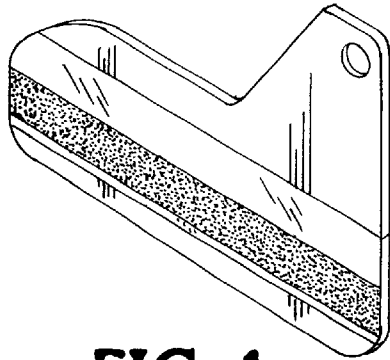


FIG. 1

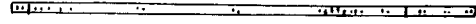


FIG. 2

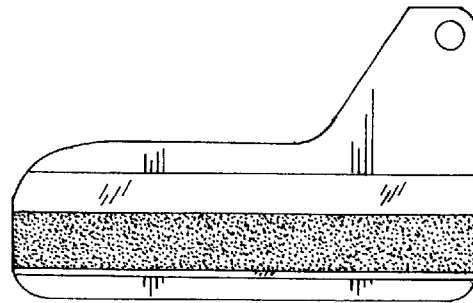


FIG. 3



FIG. 4



FIG. 5

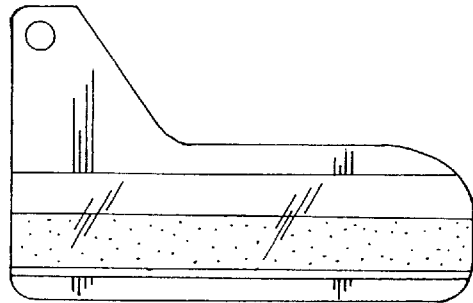


FIG. 6

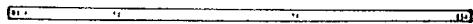


FIG. 7

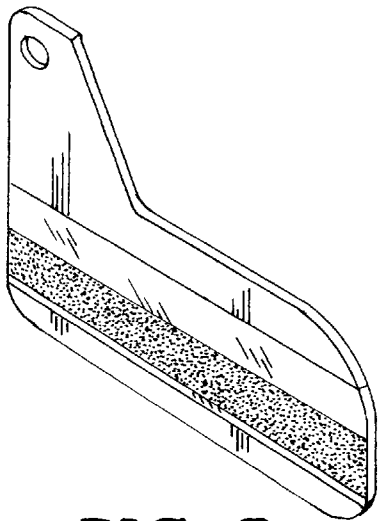


FIG. 8

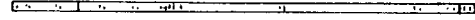


FIG. 9

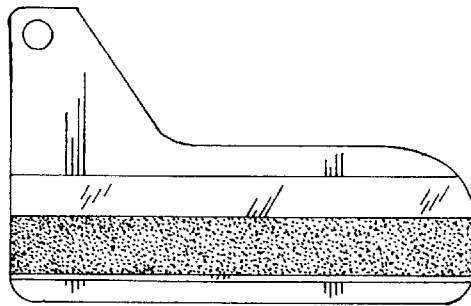


FIG. 10



FIG. 11



FIG. 12

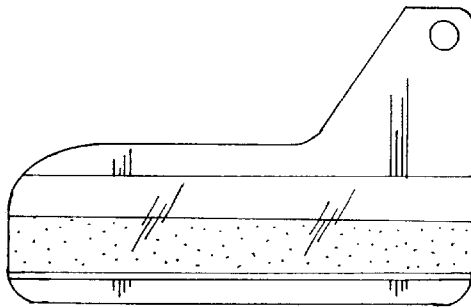


FIG. 13

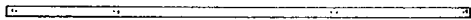


FIG. 14