



US00D600761S

(12) **United States Design Patent**
Solheim et al.

(10) **Patent No.:** **US D600,761 S**

(45) **Date of Patent:** **** Sep. 22, 2009**

(54) **GOLF CLUB HEAD**

2007/0191135 A1 8/2007 Nilsson et al.

(75) Inventors: **John A. Solheim**, Phoenix, AZ (US);
Leslie J. Bryant, Peoria, AZ (US)

OTHER PUBLICATIONS

(73) Assignee: **Karsten Manufacturing Corporation**,
Phoenix, AZ (US)

Stina Stenberg and Ashley Mayo, "2008 Spring Equipment Pre-view," Golf for Women, May-Jun. 2008 at 114.

Stina Stenberg, "Hot List 2008-Putters," Golf Digest Feb. 2008 at 158-169 also available at: <http://www.golfdigest.com/equipment/ratings>.

(**) Term: **14 Years**

John A. Solheim, et al., "Golf Club Heads with a Three-Dimensional Alignment Member and Methods to Manufacture Golf Club Heads," U.S. Appl. No. 61/048679, filed Apr. 29, 2008.

(21) Appl. No.: **29/338,292**

John A. Solheim, et al., "Golf Club Head with Three-Dimensional Alignment Aid and Method of Manufacture," U.S. Appl. No. 12/164,956, filed Jun. 30, 2008.

(22) Filed: **Jun. 9, 2009**

John A. Solheim, et al., "Golf Club Head with a Three-Dimensional Alignment Member and Methods to Manufacture Golf Club Heads," U.S. Appl. No. 12/425,637, filed Apr. 17, 2009.

(51) **LOC (9) Cl.** **21-02**

(52) **U.S. Cl.** **D21/736**

(58) **Field of Classification Search** D21/736-746;
473/324-331, 340-341

* cited by examiner

See application file for complete search history.

Primary Examiner—Mitchell I Siegel

(56) **References Cited**

(57) **CLAIM**

U.S. PATENT DOCUMENTS

The ornamental design for a golf club head, as shown and described.

D316,129 S	4/1991	Bryson	
D488,526 S	4/2004	Souza et al.	
6,837,801 B1	1/2005	Souza et al.	
6,893,355 B2	5/2005	Souza et al.	
D507,612 S	7/2005	Souza et al.	
6,926,615 B1	8/2005	Souza et al.	
D520,584 S *	5/2006	Karlsen	D21/743
D521,582 S	5/2006	Souza et al.	
7,052,411 B2	5/2006	Solheim et al.	
7,077,758 B2	7/2006	Rohrer	
D527,777 S	9/2006	Solheim et al.	
D529,108 S	9/2006	Stites et al.	
D548,295 S *	8/2007	Jertson et al.	D21/736
7,255,650 B2 *	8/2007	Braynt et al.	473/252
D565,137 S *	3/2008	Oldknow et al.	D21/736
D581,473 S *	11/2008	Thomas	D21/746
D583,003 S *	12/2008	Solheim et al.	D21/759
D587,325 S *	2/2009	Solheim et al.	D21/736
2006/0094533 A1	5/2006	Warren et al.	
2006/0166755 A1	7/2006	Brown	

DESCRIPTION

FIG. 1 is a top perspective view of a golf club head;

FIG. 2 is a bottom perspective view of the golf club head of FIG. 1;

FIG. 3 is a front elevational view of the golf club head of FIG. 1;

FIG. 4 is a rear elevational view of the golf club head of FIG. 1;

FIG. 5 is a top view of the golf club head of FIG. 1;

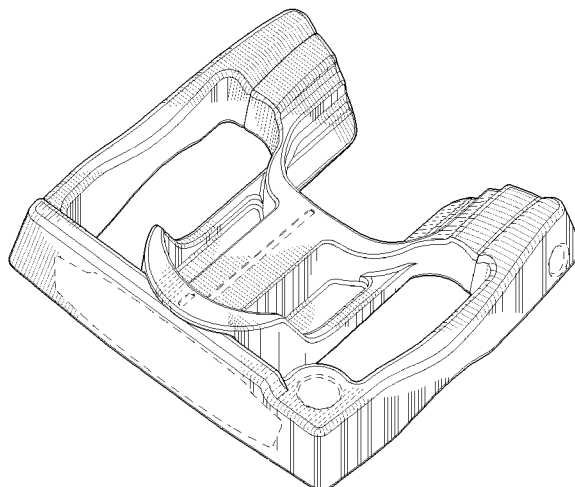
FIG. 6 is a bottom view of the golf club head of FIG. 1;

FIG. 7 is a left side view of the golf club head of FIG. 1; and,

FIG. 8 is a right side view of the golf club head of FIG. 1.

The broken lines shown in one or more of the figures are for illustrative purposes only and form no part of the claimed design.

1 Claim, 4 Drawing Sheets



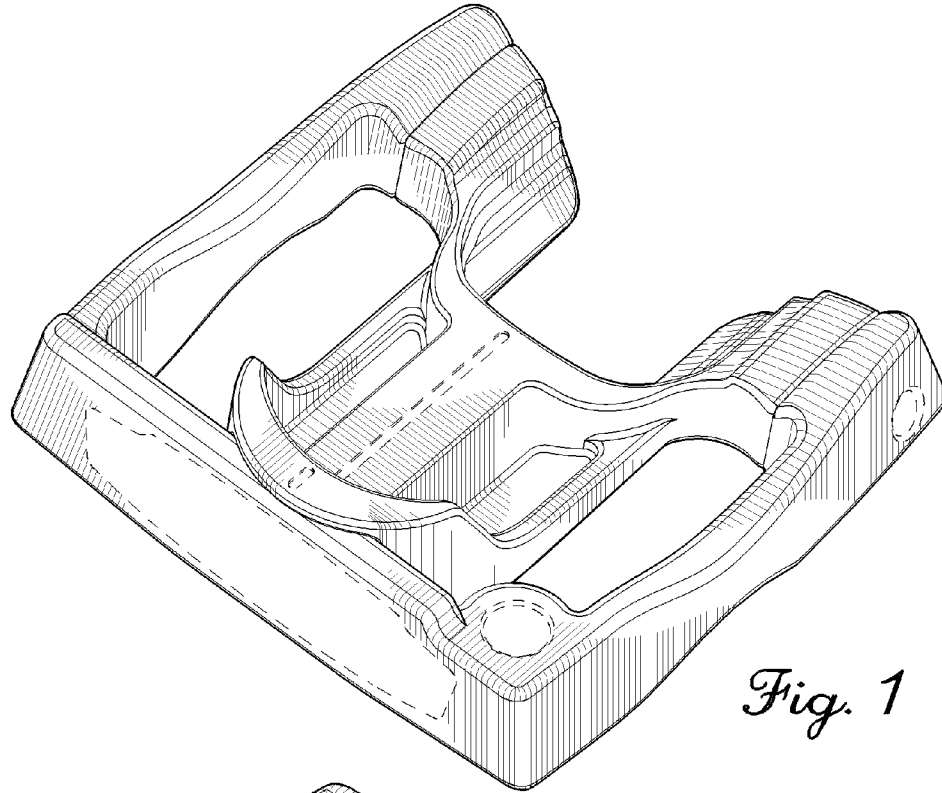


Fig. 1

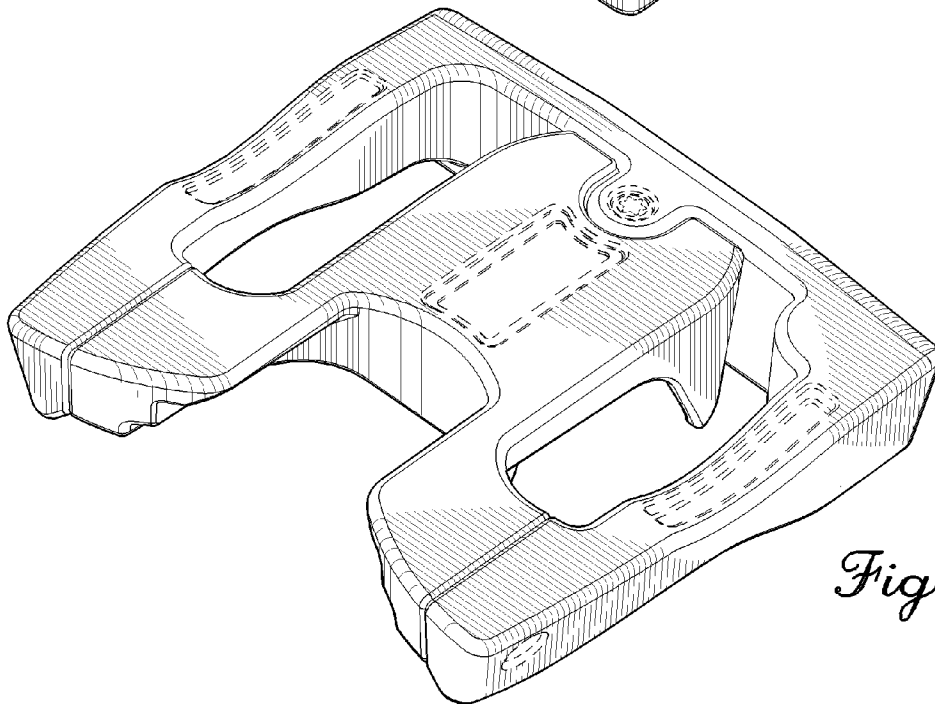


Fig. 2

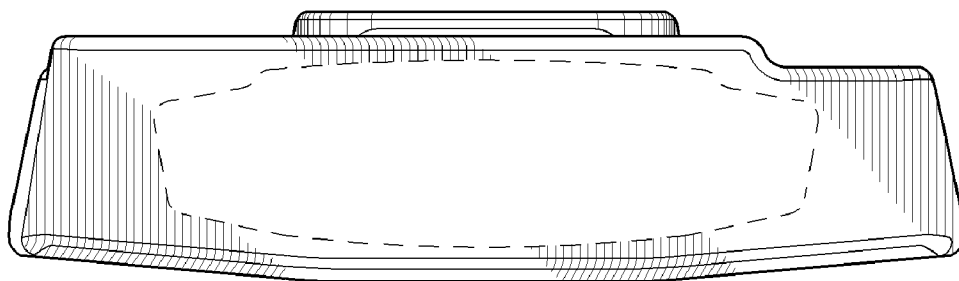


Fig. 3

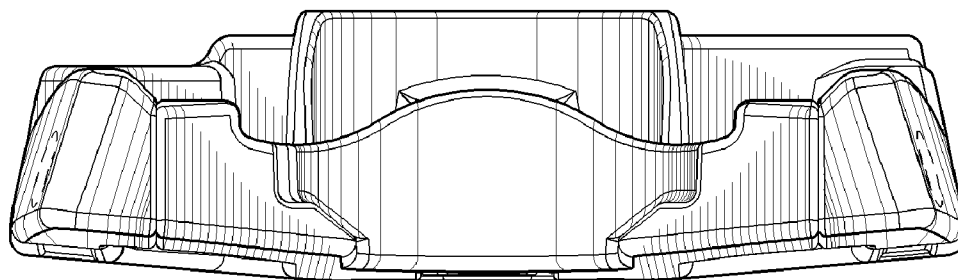


Fig. 4

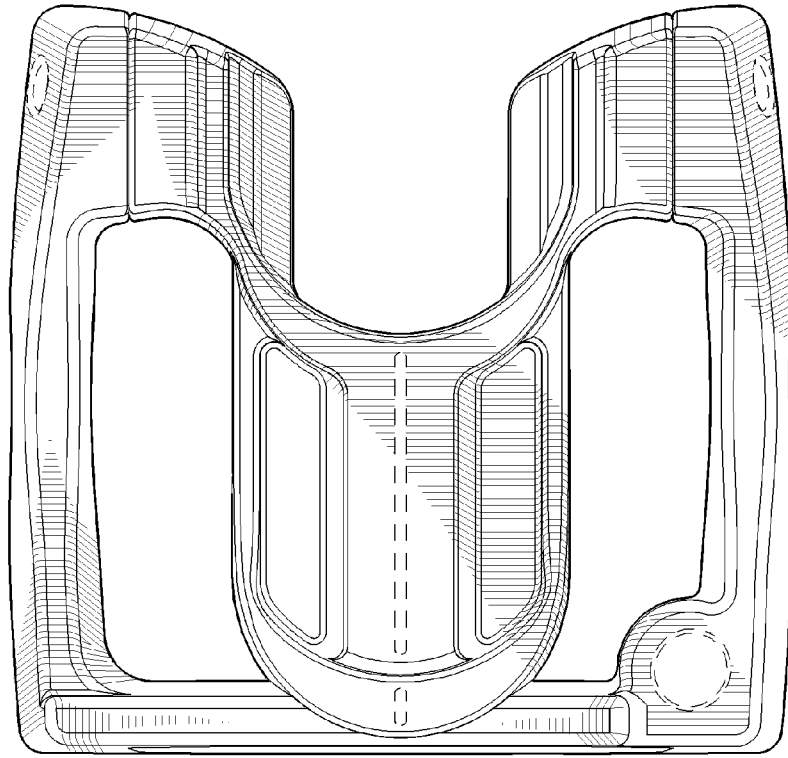


Fig. 5

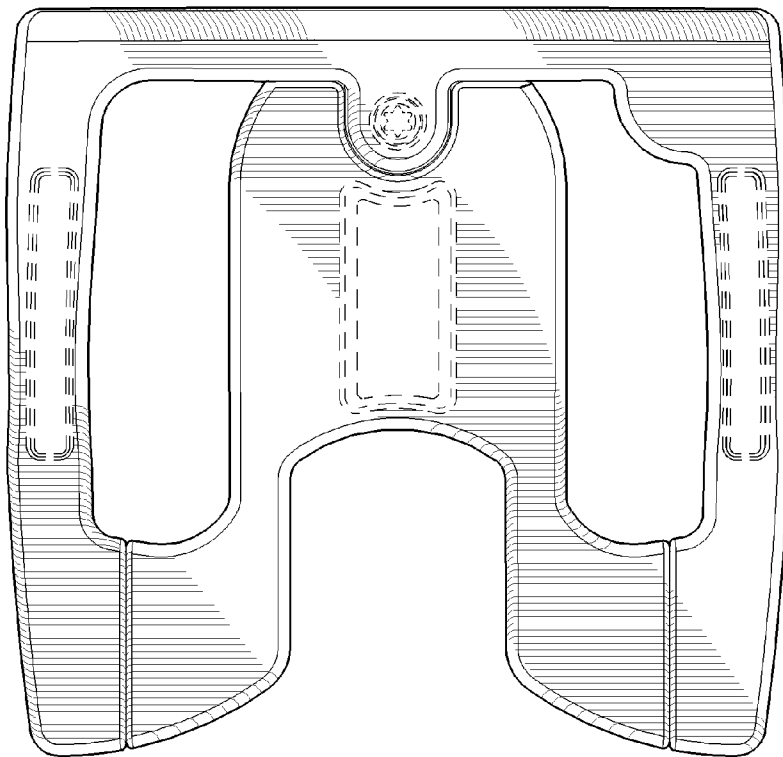


Fig. 6

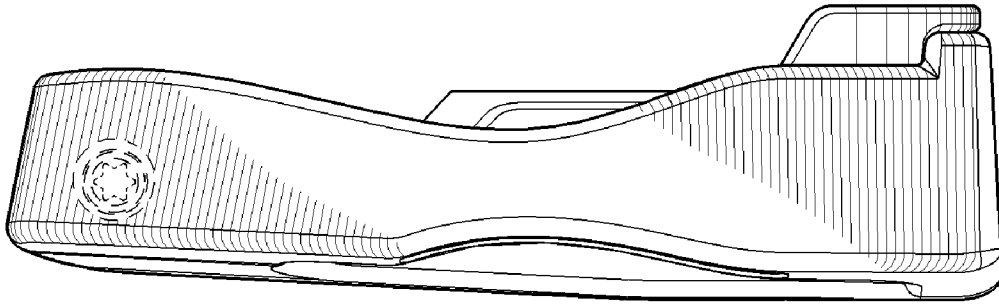


Fig. 7

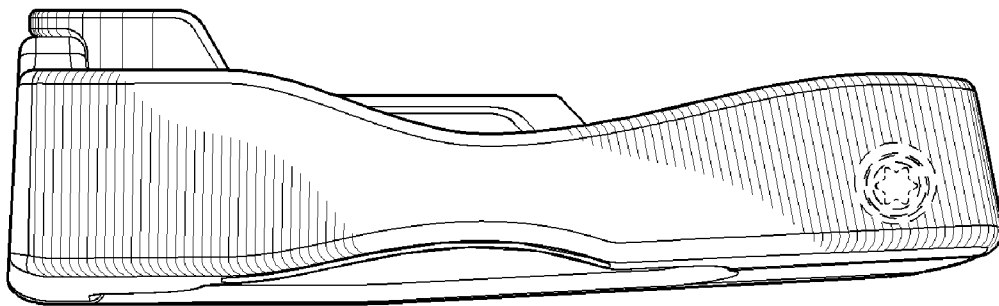


Fig. 8