



US00D707659S

(12) **United States Design Patent**
Henning

(10) **Patent No.:** **US D707,659 S**

(45) **Date of Patent:** **** Jun. 24, 2014**

(54) **HEADSET**

(71) Applicant: **Sony Mobile Communications AB,**
Lund (SE)

(72) Inventor: **Simon Henning,** Lund (SE)

(73) Assignee: **Sony Mobile Communications AB,**
Lund (SE)

(**) Term: **14 Years**

(21) Appl. No.: **29/459,933**

(22) Filed: **Jul. 5, 2013**

(30) **Foreign Application Priority Data**

Jun. 12, 2013 (EM) 002254409-0001

(51) **LOC (10) CI.** **14-01**

(52) **U.S. CI.**
USPC **D14/223**

(58) **Field of Classification Search**
CPC H04R 1/10
USPC D14/205, 223; 181/129, 130, 135;
379/430, 431; 381/380, 381, 375;
455/90.3, 575.1

See application file for complete search history.

(56) **References Cited**

U.S. PATENT DOCUMENTS

D479,834 S *	9/2003	Salazar et al.	D14/205
D481,374 S *	10/2003	Lee	D14/188
6,760,459 B2 *	7/2004	Bae	381/375
D502,171 S *	2/2005	Tang et al.	D14/223
D517,054 S *	3/2006	Yang	D14/223
D520,497 S *	5/2006	Yang	D14/223
D538,792 S *	3/2007	Kim et al.	D14/223
D542,267 S *	5/2007	Cha et al.	D14/206
D555,151 S *	11/2007	Eklund	D14/223

D559,836 S *	1/2008	Lee	D14/223
D581,396 S *	11/2008	Wikel et al.	D14/206
D582,897 S *	12/2008	Christopher et al.	D14/223
D603,378 S *	11/2009	Paradise	D14/223
D624,904 S *	10/2010	Lim	D14/223
D628,989 S *	12/2010	Lee et al.	D14/223
D640,242 S *	6/2011	Fahrendorff et al.	D14/223
D664,125 S *	7/2012	Koch et al.	D14/223
D664,950 S *	8/2012	Rye et al.	D14/223
8,285,208 B2 *	10/2012	Terlizzi	455/41.2
D693,796 S *	11/2013	Birger	D14/223
2009/0116678 A1 *	5/2009	Bevirt et al.	381/381

FOREIGN PATENT DOCUMENTS

JP D1452579 10/2012

OTHER PUBLICATIONS

Notice of Allowance with Search Report from corresponding Taiwanese Application No. 102304624, completed on Feb. 14, 2014.

* cited by examiner

Primary Examiner — Paula Greene

(74) *Attorney, Agent, or Firm* — Renner, Otto, Boisselle & Sklar, LLP

(57) **CLAIM**

The ornamental design for a headset, as shown and described.

DESCRIPTION

FIG. 1 is a perspective view of a headset showing my new design.

FIG. 2 is another perspective view thereof.

FIG. 3 is a front view thereof.

FIG. 4 is a rear view thereof.

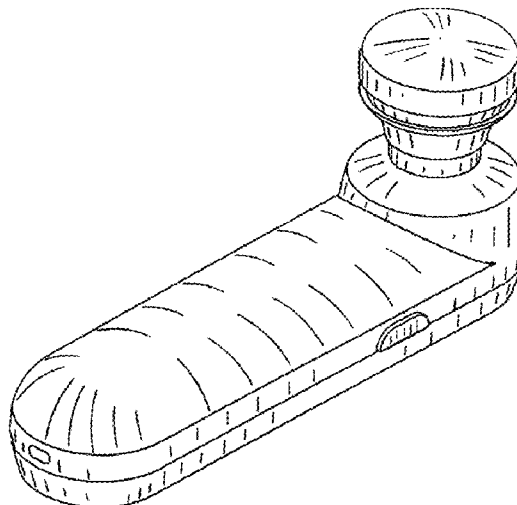
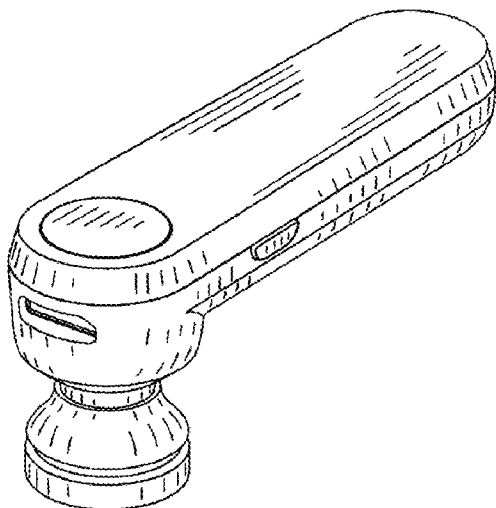
FIG. 5 is a right side view thereof.

FIG. 6 is a left side view thereof.

FIG. 7 is a top view thereof; and,

FIG. 8 is a bottom view thereof.

1 Claim, 2 Drawing Sheets



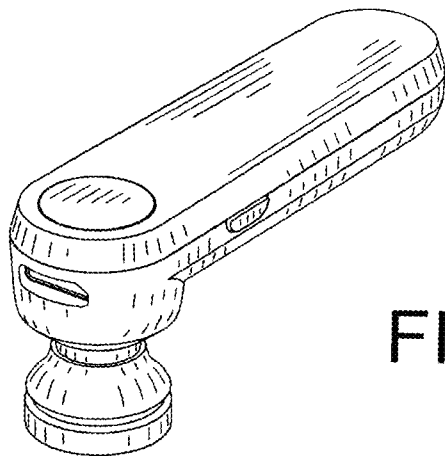


FIG. 1

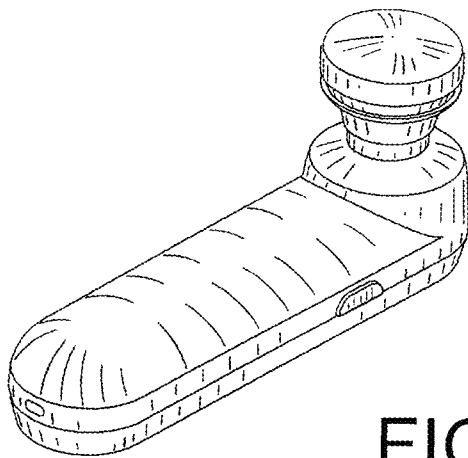


FIG. 2

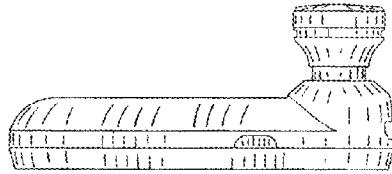


FIG. 7

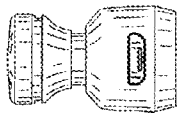


FIG. 5

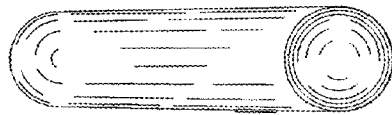


FIG. 4

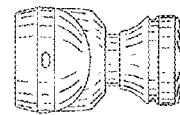


FIG. 6

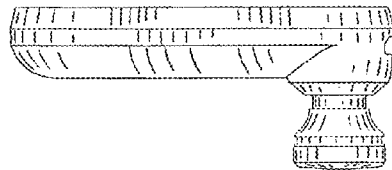


FIG. 8

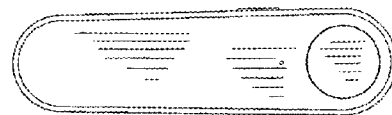


FIG. 3