

(19) World Intellectual Property Organization  
International Bureau



(43) International Publication Date  
4 May 2006 (04.05.2006)

PCT

(10) International Publication Number  
**WO 2006/047668 A3**

- (51) International Patent Classification:  
*H04R 25/00* (2006.01)
- (21) International Application Number:  
PCT/US2005/038724
- (22) International Filing Date: 26 October 2005 (26.10.2005)
- (25) Filing Language: English
- (26) Publication Language: English
- (30) Priority Data:  
60/622,880                      26 October 2004 (26.10.2004)      US
- (71) Applicant (for all designated States except US): **LOG-ITECH EUROPE S.A.** [CH/CH]; Moulin Du Choc, CH-1122 Romanel-sur-Morges (CH).

AT, AU, AZ, BA, BB, BG, BR, BW, BY, BZ, CA, CH, CN, CO, CR, CU, CZ, DE, DK, DM, DZ, EC, EE, EG, ES, FI, GB, GD, GE, GH, GM, HR, HU, ID, IL, IN, IS, JP, KE, KG, KM, KP, KR, KZ, LC, LK, LR, LS, LT, LU, LV, LY, MA, MD, MG, MK, MN, MW, MX, MZ, NA, NG, NI, NO, NZ, OM, PG, PH, PL, PT, RO, RU, SC, SD, SE, SG, SK, SL, SM, SY, TJ, TM, TN, TR, TT, TZ, UA, UG, US, UZ, VC, VN, YU, ZA, ZM, ZW.

(84) Designated States (unless otherwise indicated, for every kind of regional protection available): ARIPO (BW, GH, GM, KE, LS, MW, MZ, NA, SD, SL, SZ, TZ, UG, ZM, ZW), Eurasian (AM, AZ, BY, KG, KZ, MD, RU, TJ, TM), European (AT, BE, BG, CH, CY, CZ, DE, DK, EE, ES, FI, FR, GB, GR, HU, IE, IS, IT, LT, LU, LV, MC, NL, PL, PT, RO, SE, SI, SK, TR), OAPI (BF, BJ, CF, CG, CI, CM, GA, GN, GQ, GW, ML, MR, NE, SN, TD, TG).

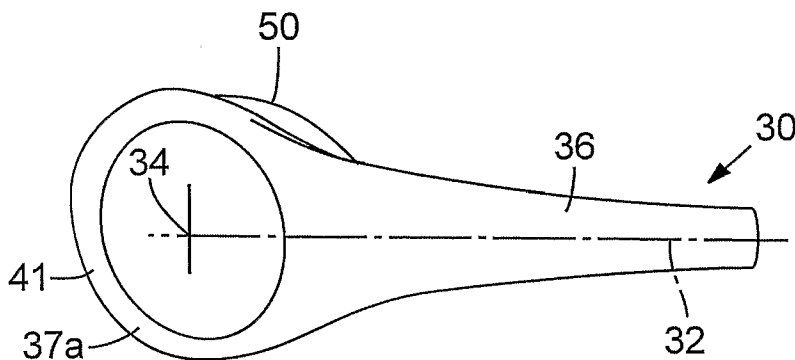
- (72) Inventor; and
- (75) Inventor/Applicant (for US only): **AMAE, Dominic** [US/US]; 1499 Se Tech Center Drive, Suite 350, Vancouver, WA 98683 (US).
- (74) Agent: **DAWSON, John, R.**; Ipsolon LLP, 805 SW Broadway #2740, Portland, OR 97205 (US).
- (81) Designated States (unless otherwise indicated, for every kind of national protection available): AE, AG, AL, AM,

Published:  
— with international search report

(88) Date of publication of the international search report:  
8 February 2007

For two-letter codes and other abbreviations, refer to the "Guidance Notes on Codes and Abbreviations" appearing at the beginning of each regular issue of the PCT Gazette.

(54) Title: ERGONOMIC BEHIND-THE-HEAD PERSONAL AUDIO SET AND METHOD OF MANUFACTURING SAME



(57) Abstract: A behind-the-head personal audio set for a personal audio device is disclosed. The personal audio set has a headband portion sized to grasp the crown area of the wearer's head while aligning at least one ear cup adjacent to the wearer's ear. The headband portion defines a longitudinal, substantially horizontal, axis that substantially intersects the center of the ear cup. In disclosed preferred embodiments, the ear cup defines an ear engaging plane and the preferred geometry of this ear engaging plane with respect to the headband portion's longitudinal

axis and an axis of symmetry are also disclosed. Preferably, the headband portion and ear cup portion are integrally molded and ear loops are over-molded, or dual molded, thereto.

WO 2006/047668 A3

**INTERNATIONAL SEARCH REPORT**

International application No.

PCT/US05/38724

**A. CLASSIFICATION OF SUBJECT MATTER**  
 IPC: **H04R 25/00**(2006.01)  
  
 USPC: 381/374  
 According to International Patent Classification (IPC) or to both national classification and IPC

**B. FIELDS SEARCHED**  
 Minimum documentation searched (classification system followed by classification symbols)  
 U.S. : 381/370,371,373,374,378;379/430,433.02,446,449;D14/205,223

Documentation searched other than *minimum* documentation to the extent that such documents are included in the fields searched

Electronic data base consulted during the international search (name of data base and, where practicable, search terms used)

**C. DOCUMENTS CONSIDERED TO BE RELEVANT**

Category *	Citation of document, with indication, where appropriate, of the relevant passages	Relevant to claim No.
X --- Y	US 6,385,325 B1 (NAGENO et al) 07 May 2002 (07.05.2002), Figs. 2, 6; columns 4-6.	1-12,15-21 ----- 13-14
Y	US 6,373,942 B1 (BRAUND, P. M.) 16 April 2002 (16.04.2002), Figs. 3A-3B; columns 7-8.	13-14

Further documents are listed in the continuation of Box C.  See patent family annex.

* Special categories of cited documents:			
"A"	document defining the <i>general state</i> of the art which is not considered to be of particular relevance	"T"	later document published after the international filing date or priority date and not in conflict with the application but cited to understand the principle or theory underlying the invention
"E"	earlier application or patent published on or after the international filing date	"X"	document of particular relevance; the claimed invention cannot be considered novel or cannot be considered to involve an inventive step when the document is taken alone
"L"	document which may throw doubts on priority claim(s) or which is cited to establish the publication date of another citation or other special reason (as specified)	"Y"	document of particular relevance; the claimed invention cannot be considered to involve an inventive step when the document is combined with one or more other such documents, such combination being obvious to a person skilled in the art
"O"	document referring to an oral disclosure, use, exhibition or other means	"&"	document member of the same patent family
"P"	document published prior to the international filing date but later than the priority date claimed		

Date of the actual completion of the international search 30 August 2006 (30.08.2006)	Date of mailing of the international search report <b>25 OCT 2006</b>
Name and mailing address of the ISA/US Mail Stop PCT, Attn: ISA/US Commissioner for Patents P.O. Box 1450 Alexandria, Virginia 22313-1450 Facsimile No. (571) 273-3201	Authorized officer Daniel Swerdlow <i>Renai</i> Telephone No. 571-272-2600