



US00D910594S

(12) **United States Design Patent**  
**Chen et al.**

(10) **Patent No.:** **US D910,594 S**  
(45) **Date of Patent:** **\*\* Feb. 16, 2021**

(54) **HEADPHONE**  
(71) Applicant: **SHENZHEN AUSOUNDS INTELLIGENT CO., LTD.**, Shenzhen (CN)  
(72) Inventors: **Aimin Chen**, Shenzhen (CN); **Jiaxu Huang**, Shenzhen (CN)  
(73) Assignee: **SHENZHEN AUSOUNDS INTELLIGENT CO., LTD.**, Shenzhen (CN)  
(\*\*) Term: **15 Years**

D302,429 S \* 7/1989 Leer ..... D14/137  
5,406,037 A \* 4/1995 Nageno ..... H04R 5/0335  
181/129  
5,574,795 A \* 11/1996 Seki ..... H04R 5/0335  
381/370  
D377,389 S \* 1/1997 Phillips ..... D23/261  
D390,951 S \* 2/1998 Yeh ..... D14/214  
D400,206 S \* 10/1998 Mahgerefteh ..... D14/188  
D410,466 S \* 6/1999 Mouri ..... D14/205  
D422,206 S \* 4/2000 Clark ..... D14/219  
D431,550 S \* 10/2000 Yoneda ..... D14/205  
D440,559 S \* 4/2001 Ballard ..... D14/219  
6,333,982 B1 \* 12/2001 Sapiejewski ..... H04M 1/05  
379/430  
D502,698 S \* 3/2005 Mah ..... D14/137  
D514,087 S \* 1/2006 Wilson ..... D14/206  
D517,527 S \* 3/2006 Suzuki ..... D14/205  
D567,215 S \* 4/2008 Lee ..... D14/205

(21) Appl. No.: **29/699,411**  
(22) Filed: **Jul. 25, 2019**

(30) **Foreign Application Priority Data**  
May 29, 2019 (CN) ..... 2019 3 0271710  
(51) **LOC (13) Cl.** ..... **14-01**  
(52) **U.S. Cl.**  
USPC ..... **D14/206**  
(58) **Field of Classification Search**  
USPC ..... D14/206, 205, 226, 188, 192, 219;  
D29/112; 2/209; 381/380, 381, 374;  
D25/156; 455/90.3, 575.1, 569.1  
CPC ..... H04R 25/00; H04R 25/02; H04R 1/1066;  
H04R 1/1016; H04R 5/033; H04R  
5/0335; H04R 1/1091; H04R 1/1058  
See application file for complete search history.

(Continued)

**FOREIGN PATENT DOCUMENTS**

EM 005830833-0001 \* 11/2018  
*Primary Examiner* — Paula Allen Greene

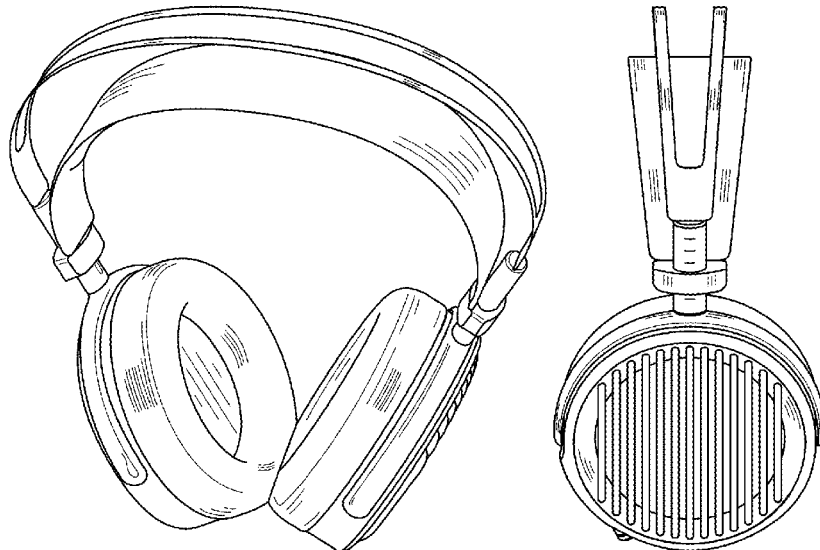
(57) **CLAIM**  
The ornamental design for a headphone, as shown and described.

**DESCRIPTION**

FIG. 1 is a perspective view of the headphone showing our new design;  
FIG. 2 is a top plan view thereof;  
FIG. 3 is a bottom plan view thereof;  
FIG. 4 is a left side view thereof;  
FIG. 5 is a right side view thereof;  
FIG. 6 is a rear elevation view thereof; and,  
FIG. 7 is a front elevation view thereof.  
The evenly broken lines in the drawings illustrate portions of the article that form no part of the claim.

(56) **References Cited**  
**U.S. PATENT DOCUMENTS**  
D156,329 S \* 12/1949 Federico et al. .... D14/227  
D244,037 S \* 4/1977 Warner ..... D14/205  
D244,780 S \* 6/1977 Kobayashi ..... D14/225  
4,175,217 A \* 11/1979 Williams ..... H04M 1/23  
379/430

**1 Claim, 7 Drawing Sheets**



(56)

**References Cited**

## U.S. PATENT DOCUMENTS

7,388,960 B2 \* 6/2008 Kuo ..... H04R 1/1041  
379/430  
7,457,649 B1 \* 11/2008 Wilson ..... H04R 1/1025  
379/428.02  
D652,022 S \* 1/2012 Miyawaki ..... D14/216  
D666,993 S \* 9/2012 Kelley ..... D14/205  
D668,633 S \* 10/2012 Enquist ..... D14/205  
D712,872 S \* 9/2014 Yuen ..... D14/205  
D727,281 S \* 4/2015 Levine ..... D14/205  
D728,512 S \* 5/2015 Nakagawa ..... D14/205  
D736,175 S \* 8/2015 Levine ..... D14/205  
D746,790 S \* 1/2016 Strasberg ..... D14/205  
D762,191 S \* 7/2016 Levine ..... D14/205  
D765,055 S \* 8/2016 Hsieh ..... D14/205  
D766,870 S \* 9/2016 Catalano ..... D14/205  
D784,956 S \* 4/2017 Homewood ..... D14/205  
D812,588 S \* 3/2018 Levine ..... D14/205  
D812,589 S \* 3/2018 Wernblad ..... D14/205  
D815,615 S \* 4/2018 Wernblad ..... D14/205  
D841,615 S \* 2/2019 Bian ..... D14/205  
D841,616 S \* 2/2019 Bian ..... D14/205  
2020/0213703 A1 \* 7/2020 Yoneyama ..... H04R 1/1058

\* cited by examiner



FIG.1

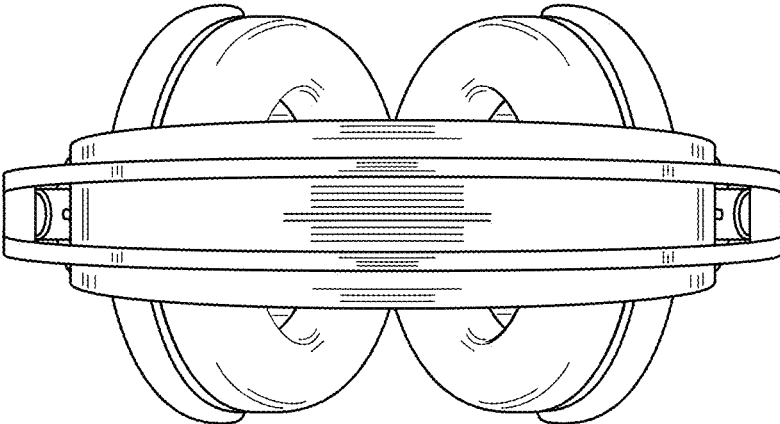


FIG.2

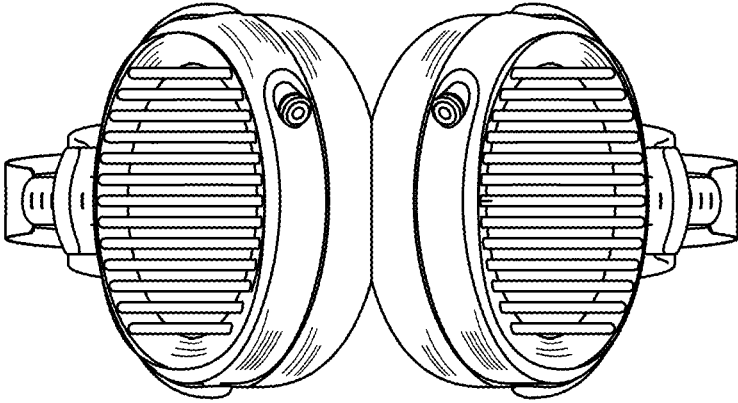


FIG.3

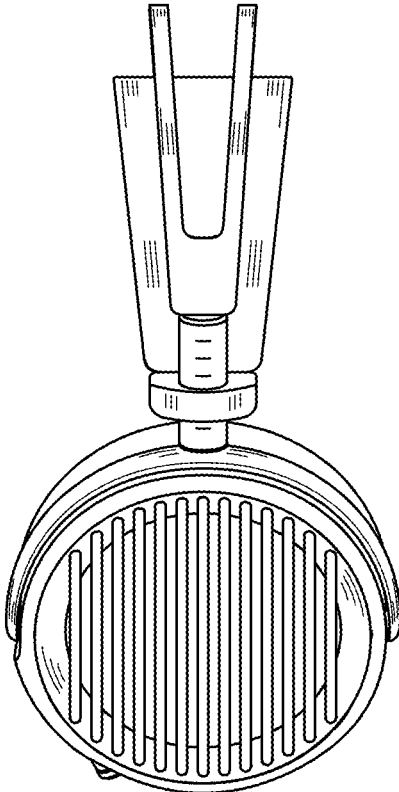


FIG.4

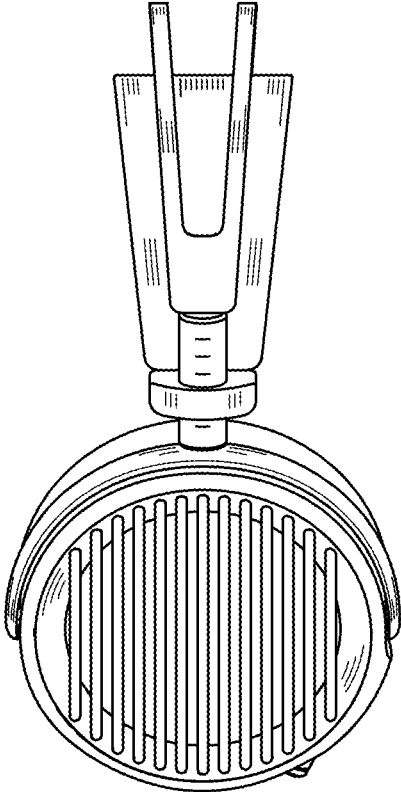


FIG.5



FIG.6





FIG.7