



US0D1050317S

(12) **United States Design Patent**
Toulon et al.

(10) **Patent No.:** **US D1,050,317 S**

(45) **Date of Patent:** **** Nov. 5, 2024**

- (54) **PUTTER HEAD**
- (71) Applicant: **Topgolf Callaway Brands Corp.**,
Carlsbad, CA (US)
- (72) Inventors: **Sean Toulon**, Vista, CA (US); **Luke Williams**, La Jolla, CA (US); **Keith Kingston**, Carlsbad, CA (US); **Patrick Dawson**, Poway, CA (US)
- (73) Assignee: **Callaway Golf Company**, Carlsbad, CA (US)
- (**) Term: **15 Years**

D388,851 S	1/1998	Rollinson et al.
D393,033 S	3/1998	Sheets
D394,689 S	5/1998	Sheets
D394,690 S	5/1998	Sheets
D396,081 S	7/1998	Sheets
D396,082 S	7/1998	Sheets
D396,083 S	7/1998	Sheets
D396,258 S	7/1998	Sheets
D398,351 S	9/1998	Sheets et al.
D398,352 S	9/1998	Sheets
D399,275 S	10/1998	Sheets
D401,651 S	11/1998	Cleveland et al.
D401,991 S	12/1998	Collins
D402,343 S	12/1998	Helmstetter et al.

(Continued)

- (21) Appl. No.: **29/890,165**
- (22) Filed: **Apr. 20, 2023**
- (51) **LOC (14) Cl.** **21-02**
- (52) **U.S. Cl.**
USPC **D21/743**
- (58) **Field of Classification Search**
USPC D21/736-746, 759
CPC A63B 53/00; A63B 53/04; A63B 53/007;
A63B 53/065; A63B 53/0487; A63B
60/00; A63B 60/46
See application file for complete search history.

OTHER PUBLICATIONS

Golf putter google search; google.com; Sep. 13, 2024.*
Callaway golf putter google search; google.com; Sep. 13, 2024.*
callawaygolf.com; odyssey putters; Sep. 13, 2024.*

Primary Examiner — Mitchell I. Siegel
(74) *Attorney, Agent, or Firm* — Michael A. Catania

(57) **CLAIM**

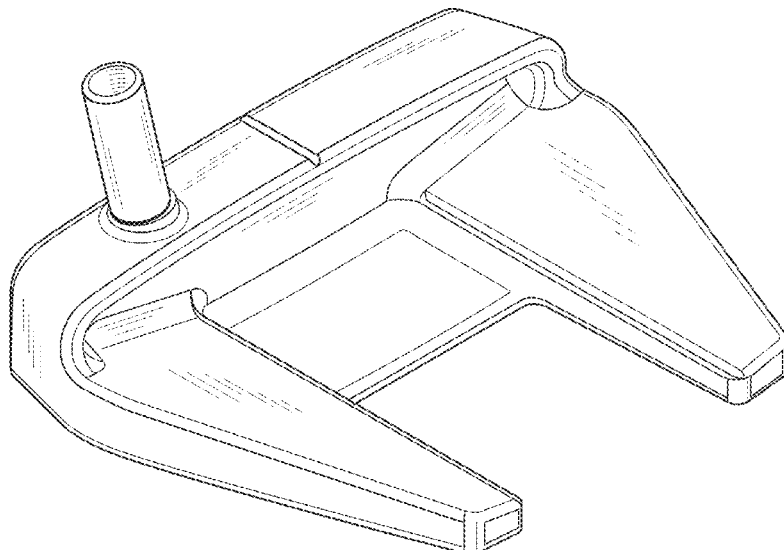
The ornamental design for a putter head, as shown and described.

DESCRIPTION

FIG. 1 is a top plan view of a putter head;
FIG. 2 is a bottom plan view thereof;
FIG. 3 is a heel-side elevation view thereof;
FIG. 4 is a toe-side elevation view thereof;
FIG. 5 is a rear elevation view thereof;
FIG. 6 is a front elevation view thereof;
FIG. 7 is a top perspective view thereof; and,
FIG. 8 is a reduced top perspective view; the shaft and grip being shown in broken lines.
The broken lines shown in the drawings form no part of the claimed design.

1 Claim, 6 Drawing Sheets

- (56) **References Cited**
U.S. PATENT DOCUMENTS
D310,699 S 9/1990 Parente et al.
D352,984 S 11/1994 Helmstetter et al.
5,464,218 A 11/1995 Schmidt et al.
D365,130 S 12/1995 Schmidt et al.
5,485,997 A 1/1996 Schmidt et al.
D368,126 S 3/1996 Magerman et al.
D373,161 S 8/1996 Schmidt et al.
5,575,472 A 11/1996 Magerman et al.
D377,818 S 2/1997 Gray et al.
D378,113 S 2/1997 Rollinson et al.
D383,512 S 9/1997 Schmidt et al.
D385,933 S 11/1997 Rollinson et al.



(56)

References Cited

U.S. PATENT DOCUMENTS

D402,344 S	12/1998	Cleveland et al.	D572,780 S	7/2008	Rollinson	
D402,722 S	12/1998	Rollinson	D574,908 S *	8/2008	Hettinger	D21/743
D404,451 S	1/1999	Sheets	D575,366 S	8/2008	Rollinson	
D405,856 S	2/1999	Tang et al.	D577,398 S	9/2008	Hilton	
D407,445 S	3/1999	Rollinson et al.	D582,497 S	12/2008	Rollinson	
D420,411 S	2/2000	Hettinger	7,491,135 B1	2/2009	Rollinson	
D428,457 S	7/2000	Rollinson et al.	D588,657 S	3/2009	Hettinger et al.	
D429,297 S	8/2000	Hettinger	D588,658 S	3/2009	De La Cruz et al.	
D441,042 S	4/2001	Hettinger	D589,575 S	3/2009	Kim et al.	
D443,320 S	6/2001	Breier et al.	D590,034 S	4/2009	Foster et al.	
D443,906 S	6/2001	Hettinger et al.	D590,035 S	4/2009	Hilton	
D447,782 S	9/2001	Hettinger et al.	D590,461 S	4/2009	Kim et al.	
D449,085 S	10/2001	Breier et al.	D590,462 S	4/2009	Hettinger et al.	
D457,586 S	5/2002	Tang et al.	D590,463 S	4/2009	Hettinger et al.	
D458,656 S	6/2002	Tang et al.	D591,371 S	4/2009	Hilton	
D461,514 S	8/2002	Tang et al.	D591,372 S	4/2009	Tang et al.	
D461,515 S	8/2002	Tang et al.	D591,807 S	5/2009	Rollinson	
D461,860 S	8/2002	Tang	D592,717 S	5/2009	Rollinson	
D461,861 S	8/2002	Tang et al.	D592,718 S	5/2009	Hettinger	
D462,100 S	8/2002	Breier et al.	D592,719 S	5/2009	Hettinger et al.	
D463,002 S	9/2002	Tang et al.	D594,517 S	6/2009	Tang et al.	
6,471,600 B2	10/2002	Tang et al.	D595,372 S	6/2009	Rollinson	
D467,985 S	12/2002	Tang et al.	D595,373 S	6/2009	Kim et al.	
6,506,125 B2	1/2003	Helmstetter et al.	D595,793 S	7/2009	Rollinson	
D470,904 S	2/2003	Tang et al.	D596,683 S	7/2009	Hettinger	
D471,245 S	3/2003	Tang et al.	D603,006 S	10/2009	Foster et al.	
D471,940 S	3/2003	Tang et al.	7,601,076 B2	10/2009	Rollinson	
D472,594 S	4/2003	Tang et al.	7,677,987 B2	3/2010	Hilton	
D472,595 S	4/2003	Tang et al.	D619,665 S	7/2010	Rollinson et al.	
D475,106 S	5/2003	Tang et al.	D622,335 S	8/2010	Hilton et al.	
D481,089 S	10/2003	Breier et al.	D623,251 S	9/2010	Rollinson	
D483,824 S	12/2003	Tang et al.	D623,710 S	9/2010	Hilton et al.	
D484,935 S	1/2004	Tang	7,794,334 B2	9/2010	Hilton	
D485,320 S	1/2004	Breier et al.	D624,978 S	10/2010	Rollinson	
D485,321 S	1/2004	Breier et al.	D625,374 S	10/2010	Hettinger et al.	
D485,323 S	1/2004	Wagner et al.	D625,764 S	10/2010	Hilton et al.	
D485,592 S	1/2004	Hettinger et al.	D626,191 S	10/2010	Hilton	
D486,194 S	2/2004	Jelmstetter et al.	D628,255 S	11/2010	Rollinson	
D496,417 S	9/2004	Tang	7,828,675 B2	11/2010	Hilton	
D496,418 S	9/2004	Tang et al.	D629,475 S	12/2010	Rollinson	
6,793,588 B2	9/2004	Tang et al.	D630,690 S	1/2011	Rollinson	
6,893,358 B2	5/2005	Dewanjee et al.	D634,801 S	3/2011	Rollinson	
D506,237 S	6/2005	Byrne et al.	D635,625 S	4/2011	Rollinson	
6,905,420 B2	6/2005	Tang et al.	D638,892 S	5/2011	Hettinger et al.	
D508,546 S	8/2005	Oldknow	D640,341 S	6/2011	Foster et al.	
D508,723 S	8/2005	Rollinson et al.	D641,057 S	7/2011	Rollinson	
D510,394 S	10/2005	Tang et al.	D641,438 S	7/2011	Rollinson	
6,974,394 B1	12/2005	Tang et al.	D641,439 S	7/2011	Rollinson et al.	
D513,777 S	1/2006	Cuellar	D641,440 S	7/2011	Hettinger et al.	
6,984,181 B2	1/2006	Hettinger et al.	D641,441 S	7/2011	Hilton et al.	
D518,127 S	3/2006	Tang et al.	D641,442 S	7/2011	Rollinson	
D519,180 S	4/2006	Oldknow	D641,814 S	7/2011	Hilton et al.	
D520,583 S	5/2006	Rollinson et al.	D641,815 S	7/2011	Rollinson et al.	
7,048,648 B2	5/2006	Breier et al.	D641,816 S	7/2011	Rollinson et al.	
7,115,041 B2	10/2006	Guard et al.	D643,893 S	8/2011	Rollinson	
D532,066 S	11/2006	Tang	D650,453 S	12/2011	Rollinson	
D532,467 S	11/2006	Aguinaldo et al.	D650,454 S	12/2011	Rollinson	
D532,468 S	11/2006	Hettinger	D650,456 S	12/2011	Tang et al.	
D532,844 S	11/2006	Rollinson	D650,457 S	12/2011	Rollinson	
D532,845 S	11/2006	Rollinson	D650,458 S	12/2011	Rollinson	
D532,847 S	11/2006	Rollinson	D650,459 S	12/2011	Rollinson	
D533,242 S	12/2006	Tang	D652,092 S	1/2012	Rollinson	
D533,613 S	12/2006	Byrne et al.	D652,465 S	1/2012	Rollinson	
D533,913 S	12/2006	Byrne et al.	D670,774 S *	11/2012	Seiff	D21/736
7,144,335 B2	12/2006	Breier et al.	D688,339 S	8/2013	Hilton et al.	
7,147,569 B2	12/2006	Tang et al.	D688,340 S	8/2013	Tang et al.	
D534,978 S	1/2007	Rollinson et al.	D688,341 S	8/2013	Rollinson	
D539,865 S	4/2007	Tang et al.	D688,761 S	8/2013	Hilton et al.	
D545,385 S	6/2007	Tang et al.	D688,762 S	8/2013	Hilton et al.	
7,244,191 B2	7/2007	Tang et al.	D689,574 S	9/2013	Rollinson	
D548,293 S	8/2007	Cleveland et al.	D690,378 S	9/2013	Rollinson	
D548,296 S	8/2007	Rollinson	D691,225 S	10/2013	Hilton et al.	
D557,361 S	12/2007	Rollinson	D691,226 S	10/2013	Hilton et al.	
7,344,451 B2	3/2008	Tang et al.	D691,681 S	10/2013	Hilton et al.	
D569,462 S	5/2008	Rollinson	D699,308 S	2/2014	Rollinson	
			D701,274 S	3/2014	Rollinson	
			D704,287 S	5/2014	Tang et al.	
			D704,782 S	5/2014	Rollinson	
			D713,900 S	9/2014	Hilton	

(56)

References Cited

U.S. PATENT DOCUMENTS

D719,622 S	12/2014	Rollinson et al.	D864,325 S	10/2019	Rollinson et al.
D720,022 S	12/2014	Rollinson	D865,090 S	10/2019	Rollinson et al.
D720,023 S	12/2014	Rollinson	D865,091 S	10/2019	Rollinson et al.
D720,024 S	12/2014	Rollinson	D869,582 S	12/2019	Rollinson et al.
D720,411 S	12/2014	Rollinson	D869,583 S	12/2019	Rollinson et al.
D720,412 S	12/2014	Rollinson	D880,631 S	4/2020	DeMille et al.
D726,270 S	4/2015	Rollinson	D888,174 S	6/2020	Rollinson et al.
D731,605 S	6/2015	Rollinson	D890,277 S	7/2020	Rollinson et al.
D759,171 S	6/2016	Rollinson	D892,243 S	8/2020	Rollinson et al.
D759,172 S	6/2016	Rollinson et al.	D894,300 S	8/2020	Hanet
D759,173 S	6/2016	Rollinson	D895,747 S	9/2020	Rollinson
D759,174 S	6/2016	Rollinson et al.	D895,748 S	9/2020	Rollinson et al. D21/743
D759,176 S	6/2016	Abbott et al.	D896,329 S	9/2020	Rollinson et al.
D759,177 S	6/2016	Abbott et al.	D897,461 S	9/2020	Hanet
D768,247 S	10/2016	Rollinson et al.	D905,184 S	12/2020	Rollinson et al.
D768,248 S	10/2016	Rollinson	D905,185 S	12/2020	Rollinson et al.
D769,383 S	10/2016	Abbott	D906,453 S	12/2020	Agrella D21/743
D769,385 S	10/2016	Tang et al.	D907,730 S	1/2021	Rollinson et al.
D769,993 S	10/2016	Abbott et al.	D907,731 S	1/2021	Rollinson et al.
D769,994 S	10/2016	Hunter	D908,827 S	1/2021	Rollinson et al.
D769,995 S	10/2016	Rollinson	D909,507 S	2/2021	Rollinson
D769,996 S	10/2016	Abbott et al.	D909,508 S	2/2021	Rollinson
D773,572 S	12/2016	Rollinson	D909,518 S	2/2021	Rollinson et al.
D773,573 S	12/2016	Abbott et al.	D910,789 S	2/2021	Schweigert D21/736
9,517,394 B1	12/2016	Dacey et al.	10,905,928 B2	2/2021	Sheldon A63B 53/0487
9,526,952 B1	12/2016	Dacey et al.	D912,172 S	3/2021	Toulon et al.
D776,771 S	1/2017	Peterson	D912,173 S	3/2021	Toulon et al.
D777,270 S	1/2017	Rollinson	D912,174 S	3/2021	Toulon et al.
D779,006 S	2/2017	Abbott	D912,175 S	3/2021	Toulon et al.
D784,468 S	4/2017	Rollinson et al.	D912,176 S	3/2021	Toulon et al.
D799,617 S	10/2017	Becktor D21/742	D912,746 S	3/2021	Toulon et al.
D800,855 S	10/2017	Rollinson	D914,814 S	3/2021	DeMille et al.
D801,458 S	10/2017	Rollinson et al.	D924,993 S	7/2021	Rollinson et al.
D801,459 S	10/2017	Rollinson et al.	D924,994 S	7/2021	Rollinson et al.
9,795,844 B1	10/2017	Dacey et al.	D924,995 S	7/2021	Rollinson et al.
D803,959 S	11/2017	Rollinson et al.	D925,675 S	7/2021	Hargraves et al.
D815,703 S	4/2018	Schweigert D21/736	D925,676 S	7/2021	Hargraves et al.
D817,424 S	5/2018	Toulon	D929,523 S	8/2021	Toulon et al.
D817,425 S	5/2018	Toulon	D933,765 S	10/2021	Toulon et al.
D817,426 S	5/2018	Toulon	D934,361 S	10/2021	Toulon et al.
D818,067 S	5/2018	Toulon et al.	D934,362 S	10/2021	Toulon D21/743
D818,551 S	5/2018	Toulon	D934,969 S	11/2021	Toulon et al.
D820,366 S	6/2018	Hilton et al.	D943,692 S	2/2022	Rollinson et al.
D827,064 S	8/2018	Wypych et al.	D944,348 S	2/2022	Kim et al.
D835,218 S	12/2018	Rollinson et al.	D945,546 S	3/2022	DeMille et al.
D837,315 S	1/2019	Rollinson	D946,678 S	3/2022	Rollinson et al.
D842,406 S	3/2019	Toulon et al.	D946,679 S	3/2022	Rollinson et al.
D846,047 S	4/2019	Hilton	D946,680 S	3/2022	Rollinson et al.
D846,048 S	4/2019	Hilton	D952,081 S	5/2022	Kirtley D21/736
D846,671 S	4/2019	Hilton et al.	D958,914 S	7/2022	Rollinson et al.
D846,672 S	4/2019	Rollinson et al.	D959,583 S	8/2022	Toulon et al.
D855,132 S	7/2019	Schweigert D21/759	D959,584 S	8/2022	Toulon et al.
D860,350 S	9/2019	Rollinson	D960,271 S	8/2022	Toulon et al.
D860,351 S	9/2019	Rollinson	D961,028 S	8/2022	Toulon et al.
D860,352 S	9/2019	Rollinson	D975,811 S	1/2023	Toulon et al.
D860,353 S	9/2019	Rollinson	D977,046 S	1/2023	Toulon et al.
D860,354 S	9/2019	Rollinson et al.	D982,692 S	4/2023	Toulon D21/744
D860,356 S	9/2019	Rollinson	D983,292 S	4/2023	Toulon D21/744
D860,357 S	9/2019	Rollinson	D986,366 S	5/2023	Williams D21/736
D861,091 S	9/2019	Glorioso et al.	D1,015,459 S	2/2024	Kirtley D21/736
D861,092 S	9/2019	Glorioso et al.	D1,024,238 S	4/2024	Chang D21/744
			D1,040,270 S	8/2024	Serrano D21/744

* cited by examiner

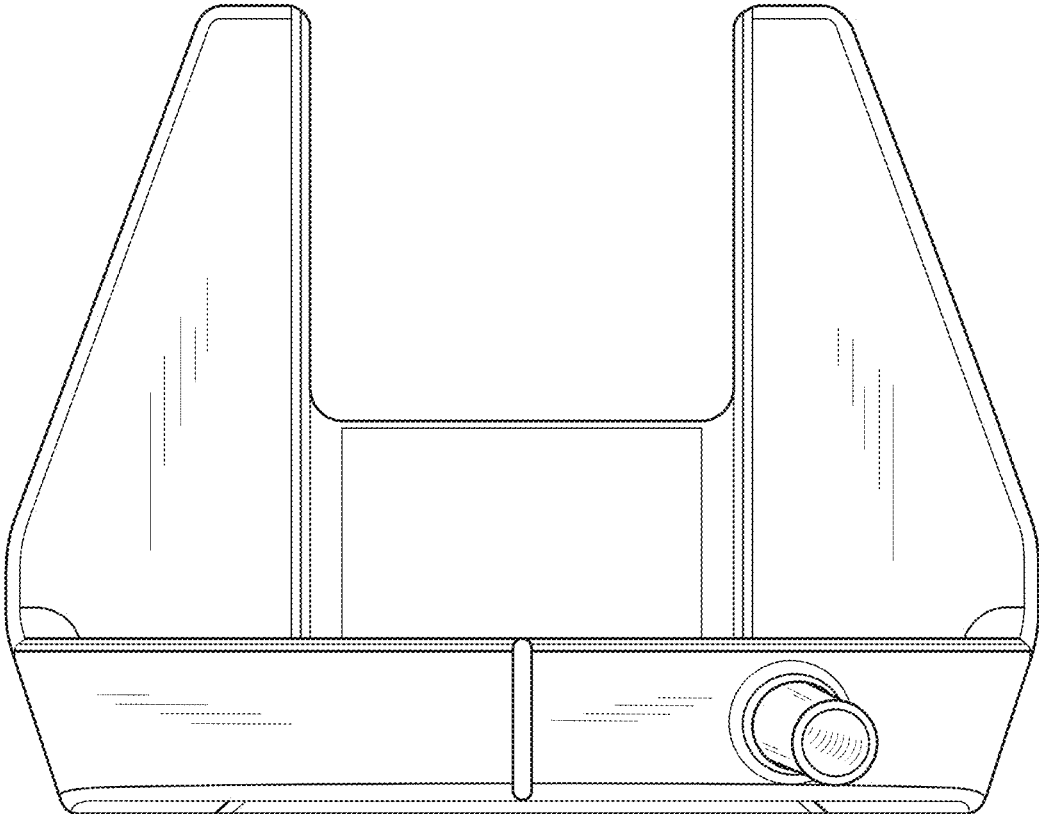


FIG. 1

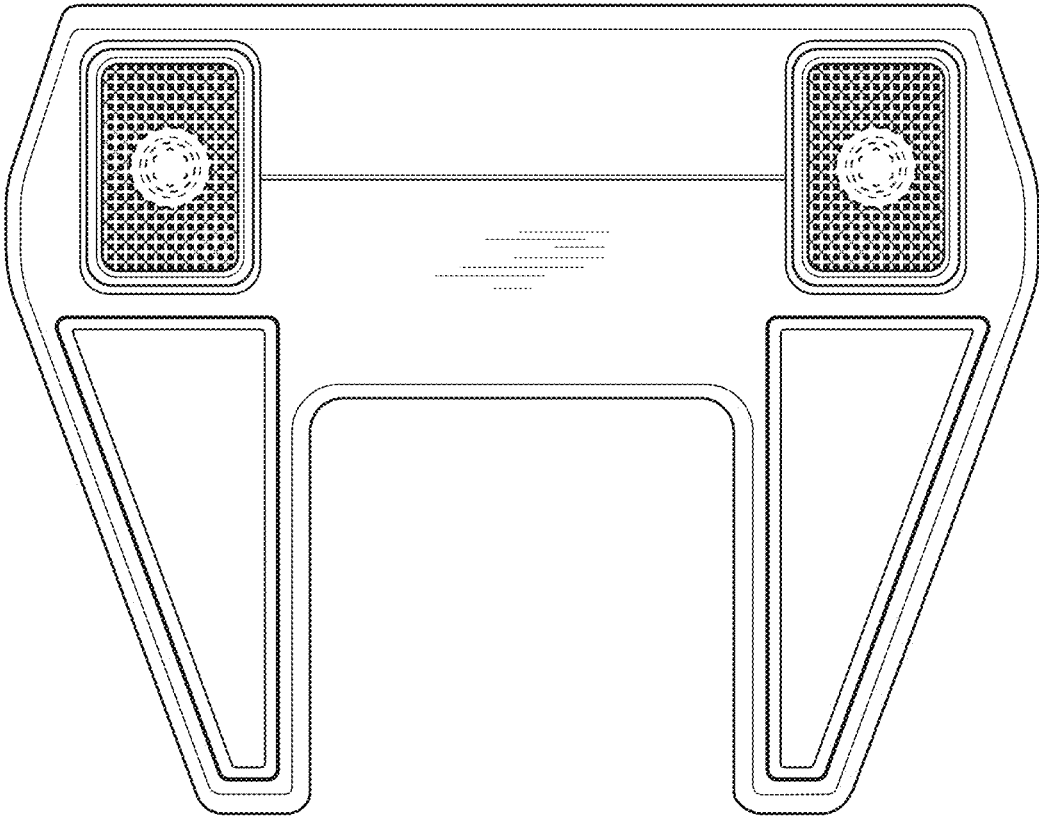


FIG. 2

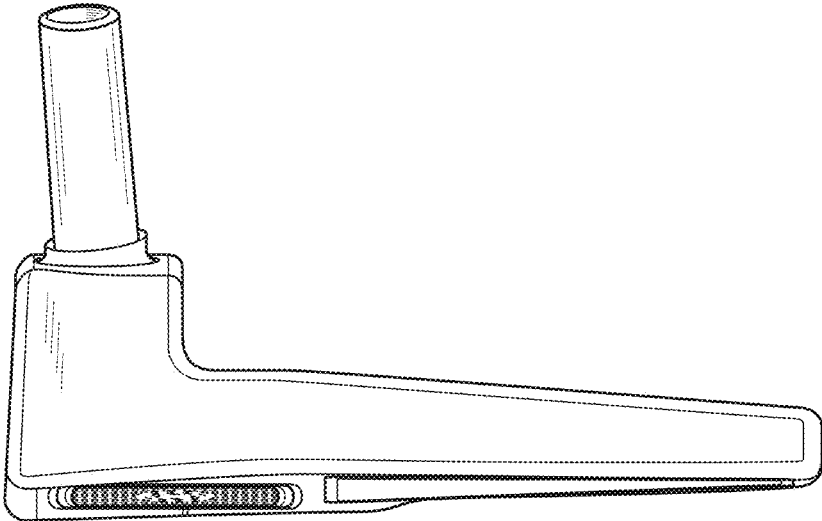


FIG. 3

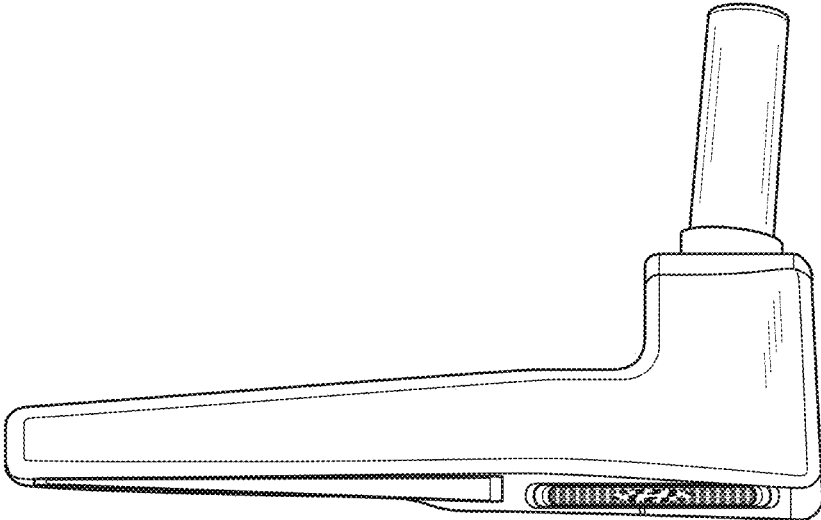


FIG. 4

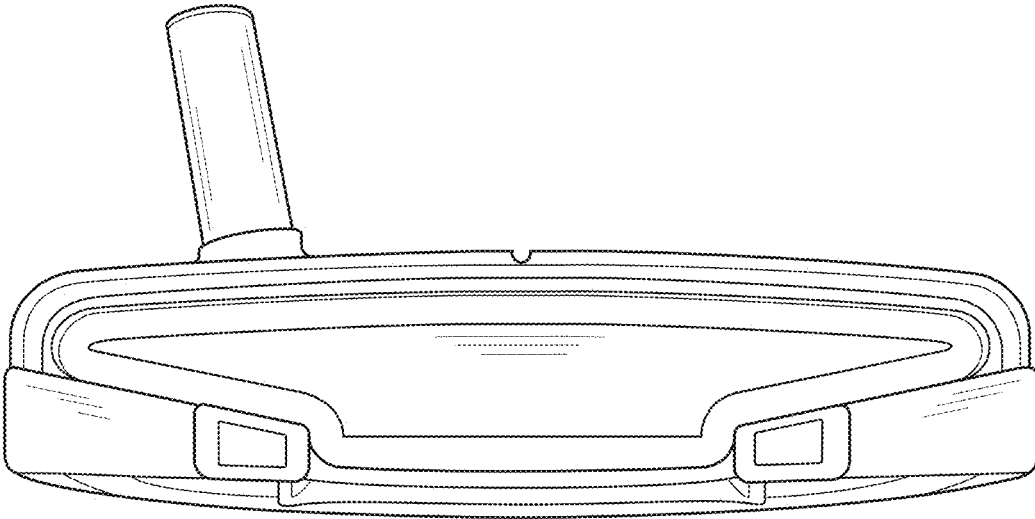


FIG. 5

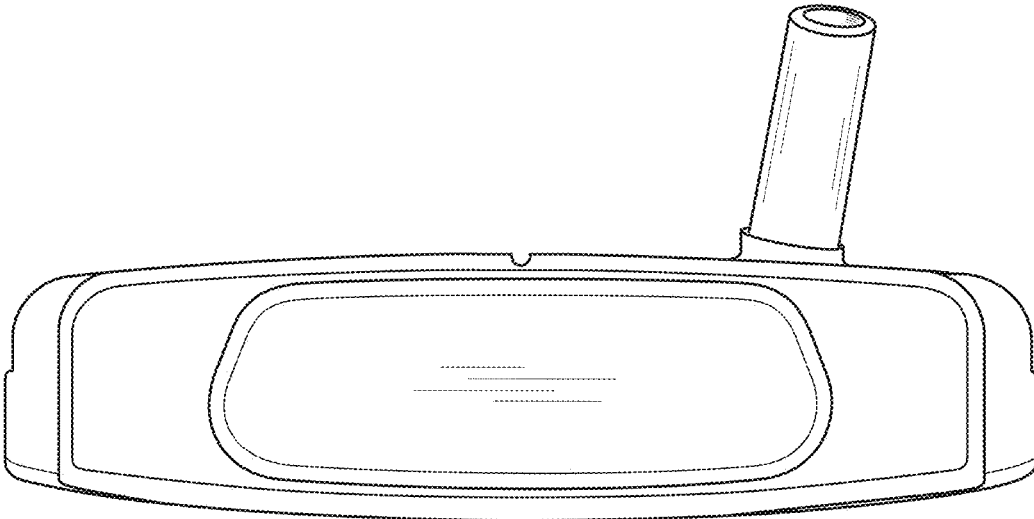


FIG. 6

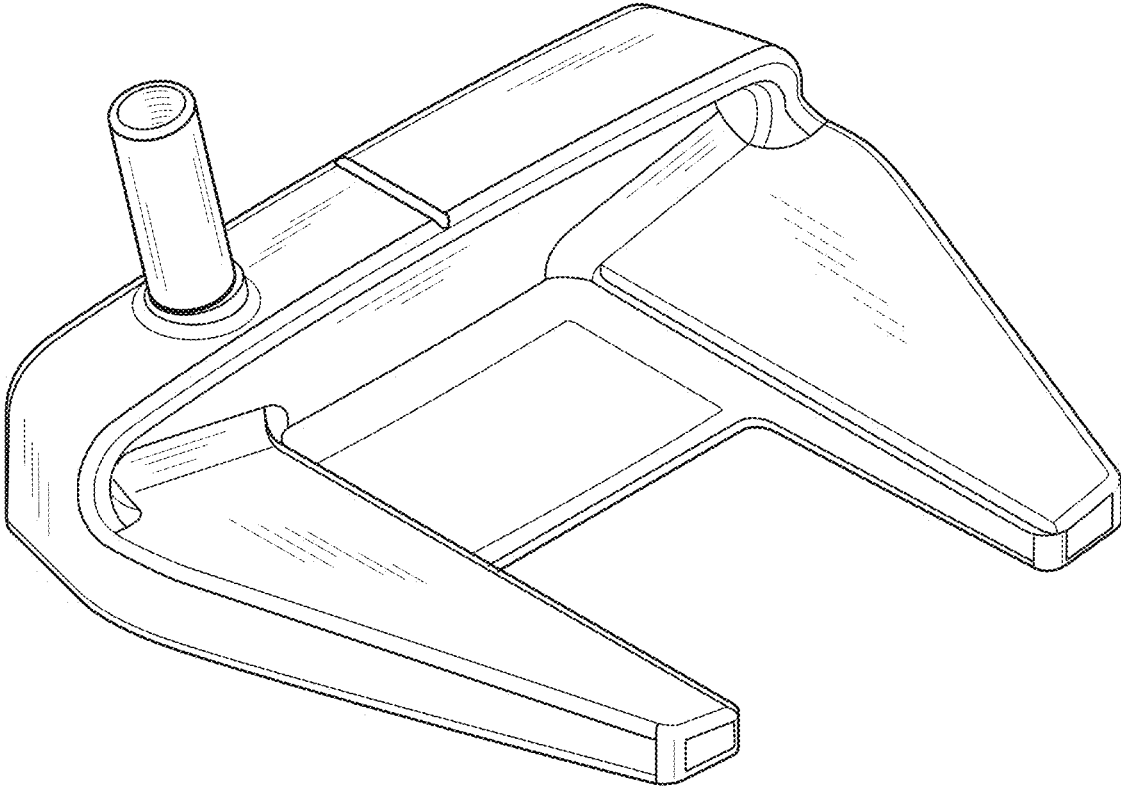


FIG. 7

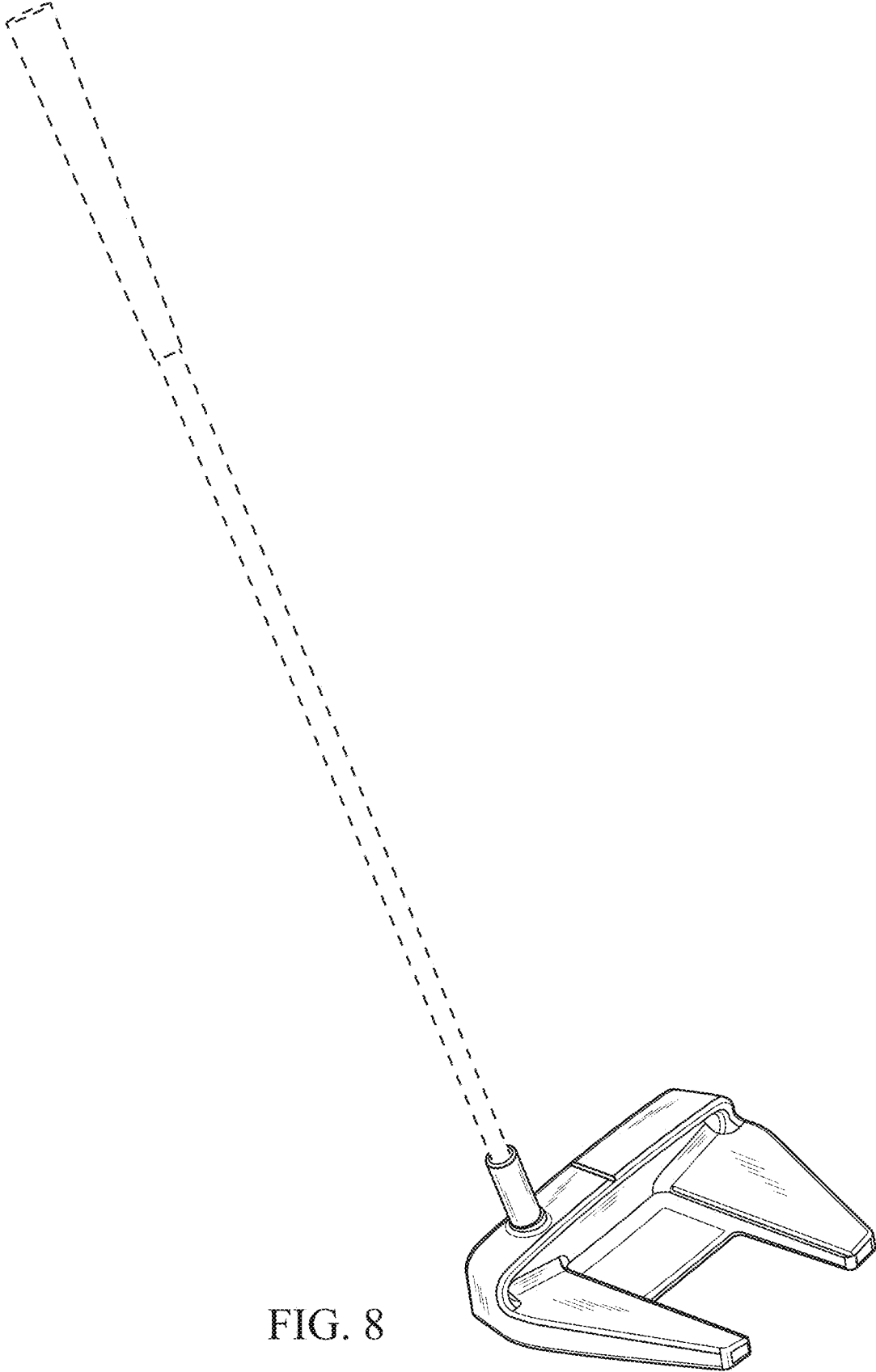


FIG. 8