



US00D994041S

(12) **United States Design Patent**
Ko

(10) **Patent No.:** **US D994,041 S**

(45) **Date of Patent:** **** Aug. 1, 2023**

(54) **ASSEMBLY BLOCK**

(71) Applicant: **Do Hyoung Ko**, Gwangju (KR)

(72) Inventor: **Do Hyoung Ko**, Gwangju (KR)

(**) Term: **15 Years**

(21) Appl. No.: **35/513,993**

(22) Filed: **Oct. 7, 2021**

(80) **Hague Agreement Data**

Int. Filing Date: **Oct. 7, 2021**

Int. Reg. No.: **DM/217225**

Int. Reg. Date: **Oct. 7, 2021**

Int. Reg. Pub. Date: **Apr. 8, 2022**

(30) **Foreign Application Priority Data**

Apr. 13, 2021 (KR) 30-2021-0017756

(51) **LOC (14) Cl.** **21-01**

(52) **U.S. Cl.**
USPC **D21/484**

(58) **Field of Classification Search**

USPC D21/483-484, 491-492, 499-502

CPC A63H 33/08; A63H 33/062; A63H 33/06;
A63H 33/04

See application file for complete search history.

(56) **References Cited**

U.S. PATENT DOCUMENTS

D411,864 S *	7/1999	Krog	D21/500
D645,912 S *	9/2011	Hardstaff	D21/502
D699,792 S *	2/2014	Hwang	D21/499
D740,893 S *	10/2015	Simonds	D21/501
D792,522 S *	7/2017	Deutsch	D21/500
D802,058 S *	11/2017	Ishaque	D21/501
D828,458 S *	9/2018	Dumphy	D21/500
D832,937 S *	11/2018	Dumphy	D21/500
10,188,961 B1 *	1/2019	Lee	A63H 33/084
D843,493 S *	3/2019	Dumphy	D21/499

D852,896 S *	7/2019	Semling	D21/499
D859,539 S *	9/2019	Dumphy	D21/500
D903,782 S *	12/2020	Semling	D21/499
D903,783 S *	12/2020	Semling	D21/501
D921,127 S *	6/2021	Kendall	D21/499
D923,718 S *	6/2021	Semling	D21/499
D960,253 S *	8/2022	Zeng	D21/493
D975,199 S *	1/2023	Huang	D21/500
D979,662 S *	2/2023	Chen	D21/500
D979,663 S *	2/2023	Chen	D21/500
D981,503 S *	3/2023	Nousiainen	D21/501

(Continued)

Primary Examiner — Michael C Stout

Assistant Examiner — Melvin L Davis

(57) **CLAIM**

The ornamental design for assembly block, as shown and described.

DESCRIPTION

1. Assembly block

1.1 : Perspective

1.2 : Perspective

1.3 : Front

1.4 : Back

1.5 : Left

1.6 : Right

1.7 : Top

1.8 : Bottom

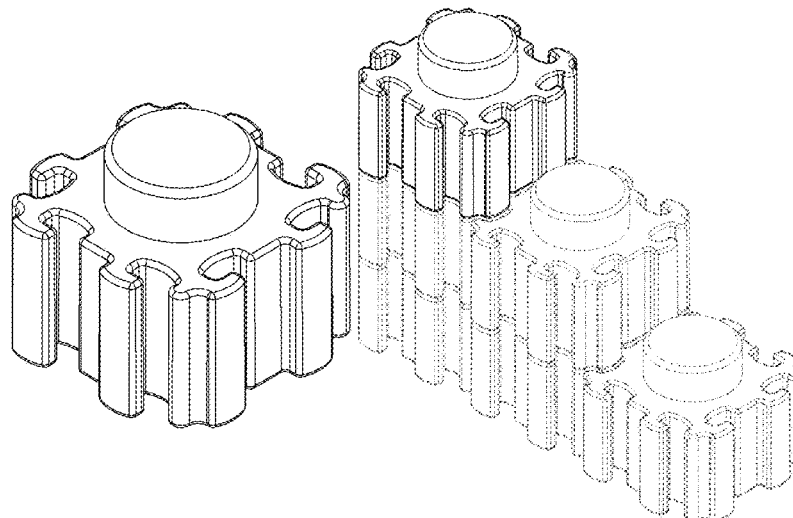
Figure 1.9 is a drawing expressing the cross section of the line A-A' shown in reproduction 1.7

1.10 : Reference

The present design is an assembly block; the present design is stacked up and down and assembled according to the same protrusion shaped on the four sides; figure 1.9 is a drawing expressing the cross section of the line A-A show in figure 1.7; figure 1.10 is a drawing expressing the state of use of the present design.

The showing of broken lines are included for the purpose of illustrating environmental structure and forms no part of the claimed design.

1 Claim, 10 Drawing Sheets



(56)

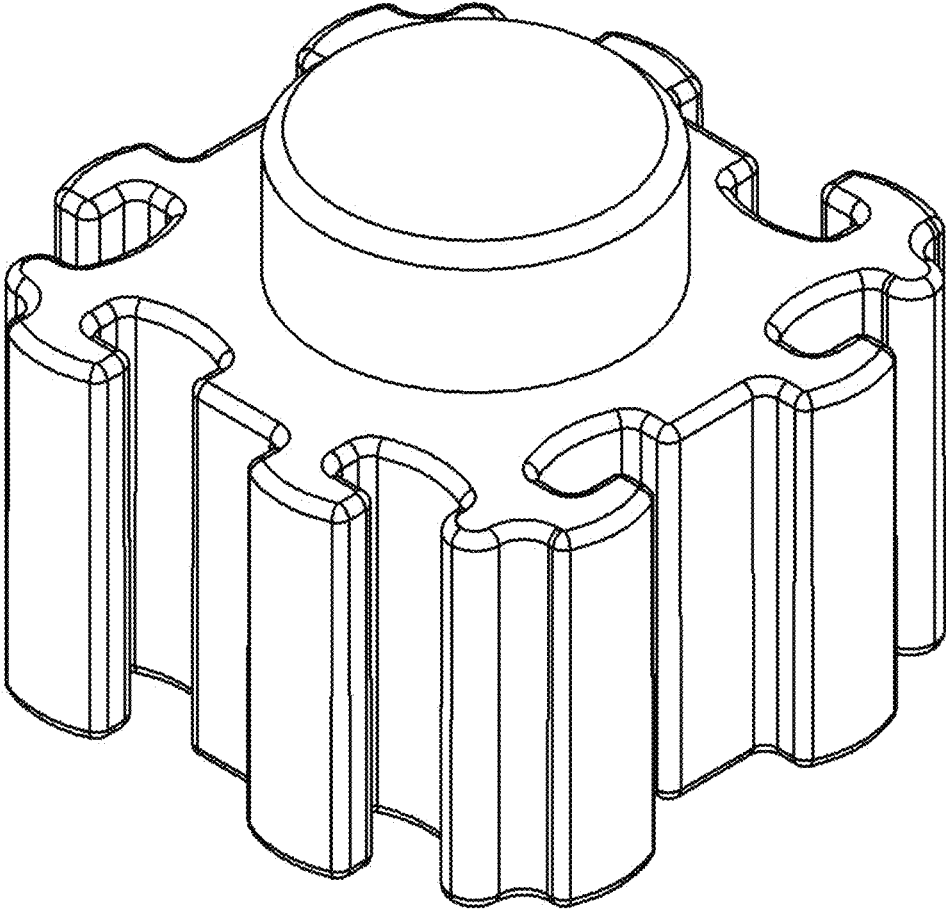
References Cited

U.S. PATENT DOCUMENTS

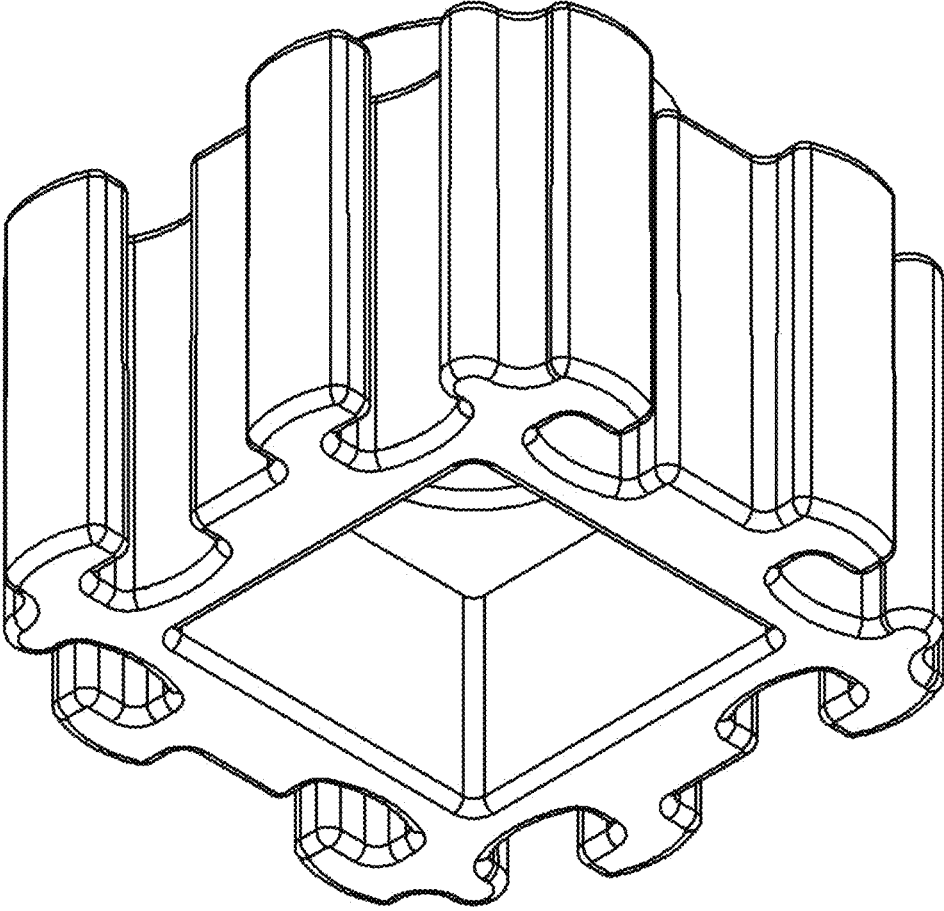
2019/0240590 A1* 8/2019 Lee A63H 33/088
2020/0346128 A1* 11/2020 Lee A63H 33/088

* cited by examiner

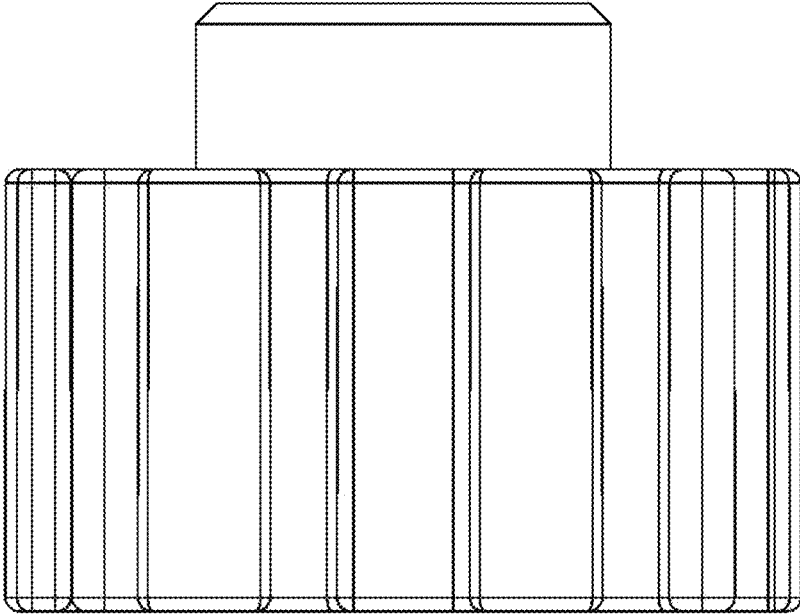
1.1



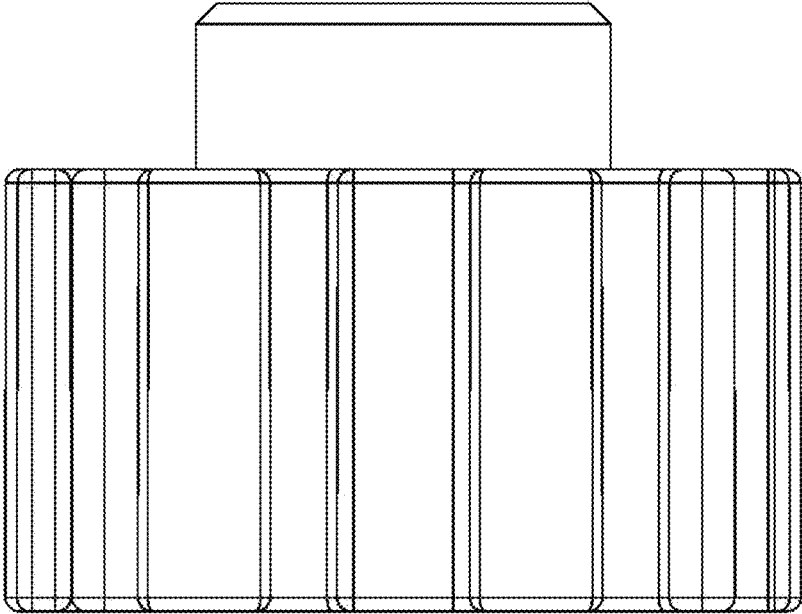
1.2



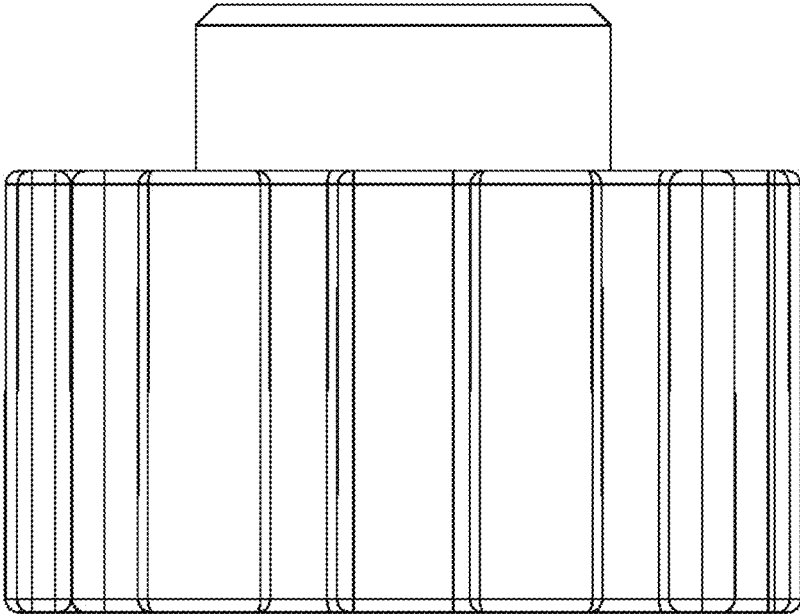
1.3



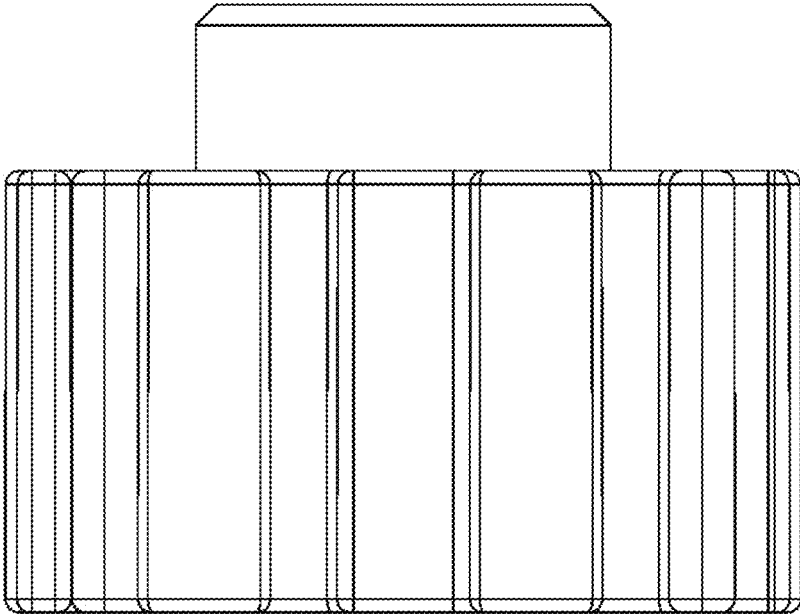
1.4



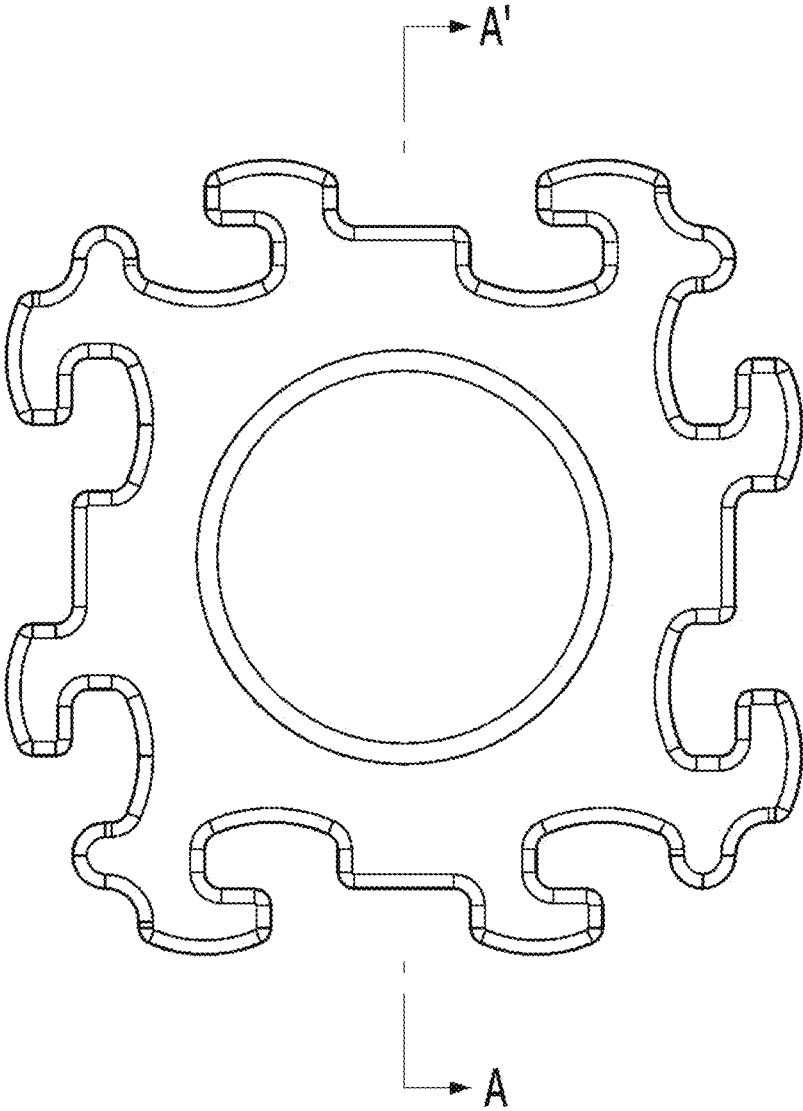
1.5



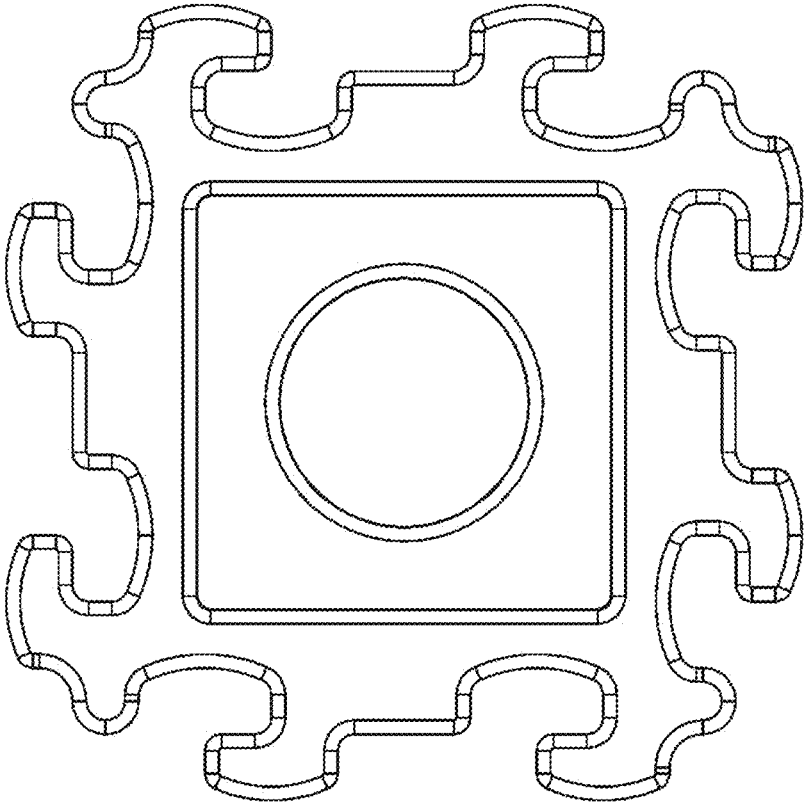
1.6



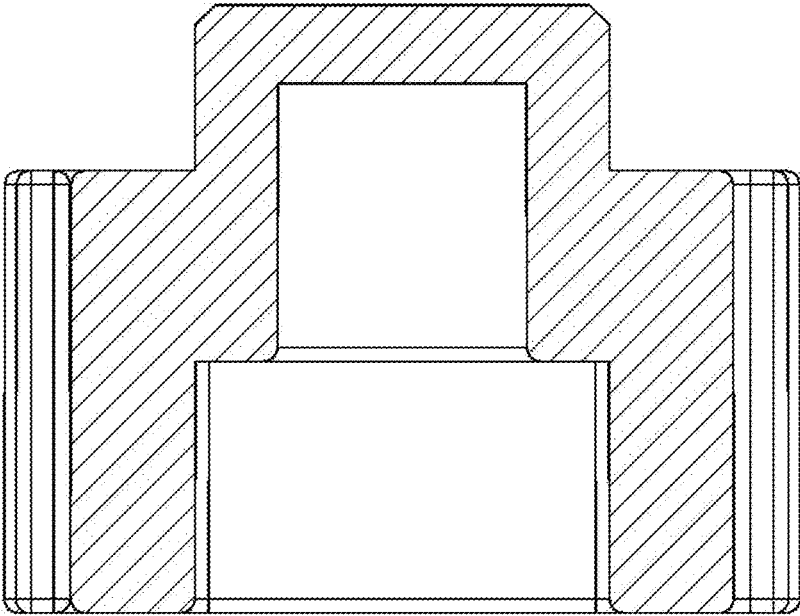
1.7



1.8



1.9



1.10

