

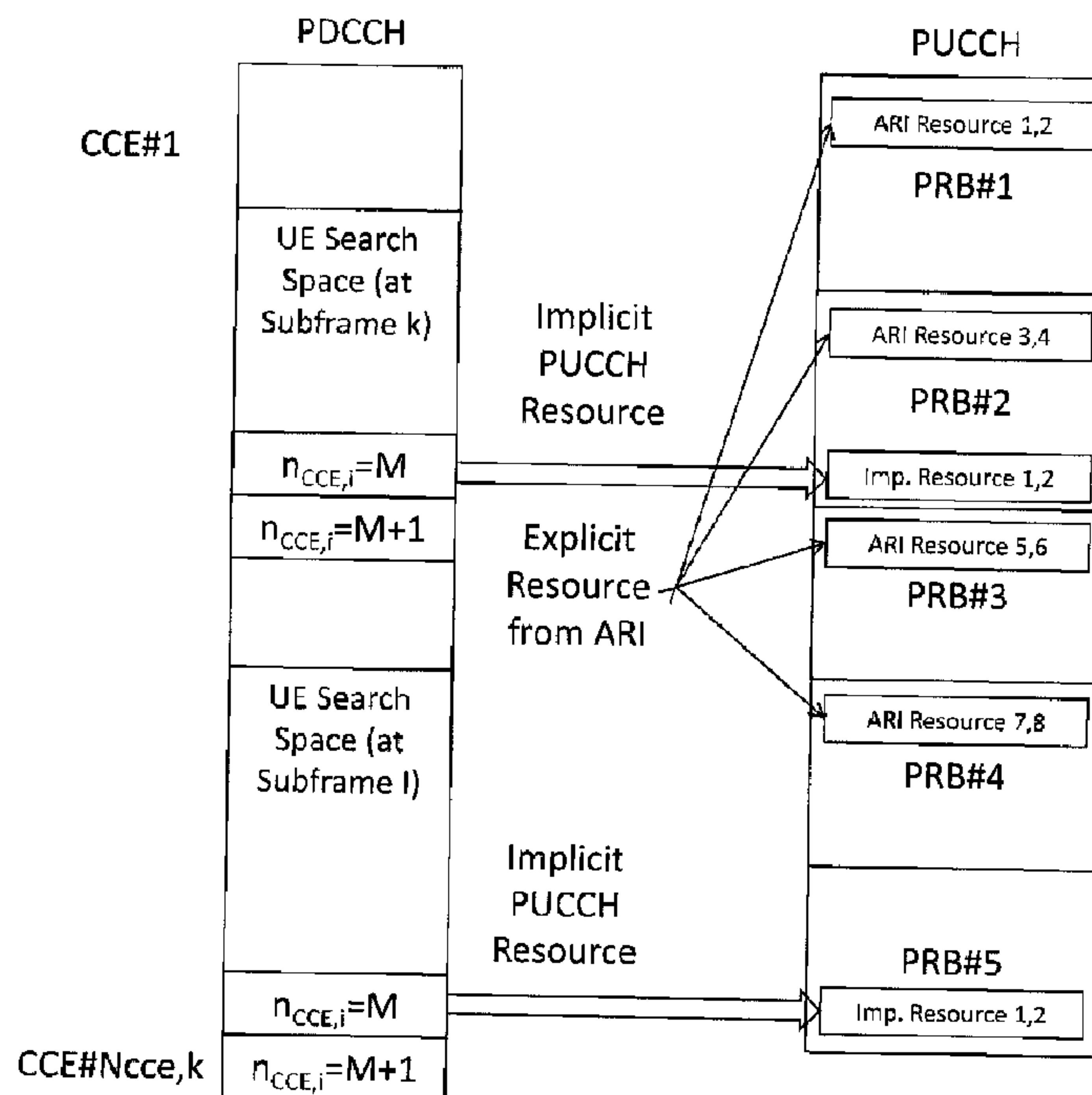


(86) Date de dépôt PCT/PCT Filing Date: 2011/09/29
 (87) Date publication PCT/PCT Publication Date: 2012/04/05
 (45) Date de délivrance/Issue Date: 2016/06/07
 (85) Entrée phase nationale/National Entry: 2013/03/28
 (86) N° demande PCT/PCT Application No.: US 2011/053882
 (87) N° publication PCT/PCT Publication No.: 2012/044764
 (30) Priorités/Priorities: 2010/10/01 (US61/388,982);
 2011/02/16 (US61/443,525); 2011/07/25 (US61/511,299);
 2011/08/11 (US61/522,434)

(51) Cl.Int./Int.Cl. *H04B 7/04* (2006.01),
H04L 27/26 (2006.01), *H04W 72/04* (2009.01)
 (72) Inventeurs/Inventors:
 HARRISON, ROBERT MARK, US;
 HEO, YOUNG HYOUNG, KR;
 EBRAHIMI TAZEH MAHALLEH, MASOUD, CA
 (73) Propriétaire/Owner:
 BLACKBERRY LIMITED, CA
 (74) Agent: MOFFAT & CO.

(54) Titre : TRANSMISSION EN DIVERSITE AVEC SELECTION DE RESSOURCES ORTHOGONALES ET
 AFFECTATION DE RESSOURCES

(54) Title: ORTHOGONAL RESOURCE SELECTION TRANSMIT DIVERSITY AND RESOURCE ASSIGNMENT



(57) Abrégé/Abstract:

Methods of allocating orthogonal resources of a wireless communication network to a user equipment (UE) that uses transmit diversity are disclosed. In one or more embodiments, the UE is configured to transmit a reference symbol and a modulated symbol on multiple orthogonal resources on an antenna. The method includes: selecting, by the UE, a first and a second orthogonal resource, respectively, from a plurality of orthogonal resources according to the state of information bits to be communicated by the UE; and transmitting, by the UE, the reference and data symbols on the first and the second orthogonal resource, respectively, on one antenna. The first and the second resource are different for at least one of the states of the information bits. The first and the second resource are both in the same physical resource block.

ABSTRACT

Methods of allocating orthogonal resources of a wireless communication network to a user equipment (UE) that uses transmit diversity are disclosed. In one or more embodiments, the UE is configured to transmit a reference symbol and a modulated symbol on multiple orthogonal resources on an antenna. The method includes: selecting, by the UE, a first and a second orthogonal resource, respectively, from a plurality of orthogonal resources according to the state of information bits to be communicated by the UE; and transmitting, by the UE, the reference and data symbols on the first and the second orthogonal resource, respectively, on one antenna. The first and the second resource are different for at least one of the states of the information bits. The first and the second resource are both in the same physical resource block.

ORTHOGONAL RESOURCE SELECTION TRANSMIT DIVERSITY AND RESOURCE ASSIGNMENT

Field

[0001] The present disclosure is directed in general to communication systems and methods for operating same. In one aspect, the present disclosure relates to systems and methods for orthogonal resource selection transmit diversity and resource assignment.

Background

[0002] Because the Long-Term Evolution (LTE) Standard Release 8 (hereinafter “Rel-8”) frame structure 2 (time-division duplex [TDD]) may have many more downlink subframes than uplink subframes and because each of the downlink subframes carries up to two transport blocks, Rel-8 TDD supports transmission of up to 4 Ack/Nack (A/N) bits in a subframe. If more than 4 A/N bits are required, the spatial bundling in which two Ack/Nack bits of the same downlink subframe are bundled is supported. These 4 Ack/Nack bits can be transmitted using channel selection. More recently, LTE Release 10 (hereinafter “Rel-10”) uses channel selection for up to 4 Ack/Nack bits to support carrier aggregation for both frame structures, i.e., frequency division duplex (FDD) and TDD.

[0003] Therefore, the use of channel selection for Ack/Nack feedback is of growing interest.

[0004] Ack/Nack bits are carried in LTE, using physical uplink control channel (PUCCH) format “1a” and “1b” on PUCCH resources, as described below. Because no more than 2 bits can be carried in these PUCCH formats, 2 extra information bits are needed for carrying 4 Ack/Nack bits. These extra two bits can be conveyed through channel selection.

[0005] A user equipment (UE), sometimes hereinafter referred to as a “client node,” encodes information using channel selection by selecting a PUCCH resource to transmit on. Channel selection uses 4 PUCCH resources to convey these two bits. This can be described using the data in Table 1 below:

		Codewords 0 to 15															
RRes	DRes	0000	0001	0010	0011	0100	0101	0110	0111	1000	1001	1010	1011	1100	1101	1110	1111
0	0	1	j	-j	-1	0	0	0	0	0	0	0	0	0	0	0	0
1	1	0	0	0	0	1	j	-j	-1	0	0	0	0	0	0	0	0
2	2	0	0	0	0	0	0	0	0	1	j	-j	-1	0	0	0	0
3	3	0	0	0	0	0	0	0	0	0	0	0	0	1	j	-j	-1

Table 1: PUCCH format 1b channel selection

[0006] Each column of the table indicates a combination of Ack/Nack bits (or a “codeword”) to be transmitted. Each row of the table represents a PUCCH resource. Each cell contains a QPSK symbol transmitted on the PUCCH resource to indicate the codeword. The “DRes” column indicates which PUCCH resource carries the QPSK symbol, and the “RRes” column indicates the PUCCH resource used to carry the reference symbol. It is noted that the data and reference symbol resources are the same for Rel-8 channel selection. Note that each column of the table contains only one non-zero entry, since channel selection requires that only one resource is transmitted upon at a time on one transmission path. Transmitting on one transmission path maintains the good peak to average power characteristics of the signals carried on the PUCCH. The term “transmission path” refers to an RF chain that contains at least one power amplifier and is connected to one antenna.

[0007] For example, when Ack/Nack bits ‘0110’ are to be transmitted, the UE can transmit the QPSK data symbol ‘-j’ using PUCCH resource ‘1.’ The reference signal transmission can also be on PUCCH resource ‘1’.

[0008] LTE carries Ack/Nack signaling on format 1a and 1b of the physical uplink control channel (PUCCH), as specified in Rel 10. An example of the subframe structure of PUCCH formats 1a and 1b with normal cyclic prefix is shown in Figure

1. Each format 1a/1b PUCCH can be in a subframe made up of two slots. The same modulation symbol “d” can be used in both slots. Without channel selection, formats 1a and 1b set carries one and two Ack/Nack bits, respectively. These bits are encoded into the modulation symbol “d,” using BPSK or QPSK modulation, depending on whether one or two Ack/Nack bits are used.

[0009] Each data modulation symbol, d , is spread with a sequence, $r_{u,v}^{\alpha}(n)$ such that it is by a 12 samples long, which is the number of subcarriers in an LTE resource block in most cases. (For example, those of skill in the art will understand that a Multimedia Broadcast multicast service Single Frequency Network (MBSFN) transmission can use 24 subcarriers in a resource block when the subcarriers are spaced 7.5 kHz apart.). Next, the spread samples are mapped to the 12 subcarriers the PUCCH is to occupy and then converted to the time domain with an IDFT. Since the PUCCH is rarely transmitted simultaneously with other physical channels in LTE, the subcarriers that do not correspond to PUCCH are set to zero. Four replicas of the spread signal are then each multiplied with one element of an orthogonal cover sequence $w_p(m)$, where $m \in \{0,1,2,3\}$ corresponds to each one of 4 data bearing OFDM symbols in the slot. There are 3 reference symbols (R1, R2, and R3) in each slot that allow channel estimation for coherent demodulation of formats 1a/1b.

[0010] There can be 12 orthogonal spreading sequences (corresponding to $r_{u,v}^{\alpha}(i)$ with $\alpha \in \{0,1,\dots,11\}$ indicating the cyclic shift) and one of them is used to spread each data symbol. Furthermore, in Rel-8, there are 3 orthogonal cover sequences $w_p(m)$ with $p \in \{0,1,2\}$ and $m \in \{0,1,2,3\}$. Each spreading sequence is used with one of the orthogonal cover sequences to form an orthogonal resource. Therefore, up to $12*3=36$ orthogonal resources are available per each resource block of the PUCCH. The total amount of resources that can carry Ack/Nack is then 36 times the number of resource blocks (RBs) allocated for format 1/1a/1b.

[0011] Each orthogonal resource can carry one Ack/Nack modulation symbol “d,” and, therefore, up to 36 UEs may transmit an Ack/Nack symbol on the same OFDM resource elements without mutually interfering. Similarly, when distinct orthogonal resources are transmitted from multiple antennas by a UE, they will tend to not interfere with each other, or with different orthogonal resources transmitted from

other UEs. When there is no channel selection, the orthogonal resource used by the UE is known by the eNB. As discussed below, in case of channel selection, a predetermined set of the information bits determines the orthogonal resource to be utilized. The eNB detects that set of the information bits by recognizing what orthogonal resource is carrying other information bits.

[0012] Orthogonal resources used for reference symbols are generated in a similar manner as data symbols. They are also generated using a cyclic shift and an orthogonal cover sequence applied to multiple reference signal uplink modulation symbols. Because there are a different number of reference and data modulation symbols in a slot, the orthogonal cover sequences are different length for data and for reference signals. Nevertheless, there are an equal number of orthogonal resources available for data and for reference signals. Therefore, a single index can be used to refer to the two orthogonal resources used by a UE for both the data and reference signals, and this has been used since Rel-8. This index is signaled in Rel-8 as a PUCCH resource index, and is indicated in the LTE specifications as the variable $n_{PUCCH}^{(1)}$. The aforementioned LTE specifications include: (1) 3GPP TS 36.213 V10.1.0, “3rd Generation Partnership Project; Technical Specification Group Radio Access Network; Evolved Universal Terrestrial Radio Access (E-UTRA); Physical Layer Procedures (Release 10)”, March, 2011; (hereinafter “Reference ‘1’”) and (2) 3GPP TS 36.211 V10.1.0, “3rd Generation Partnership Project; Technical Specification Group Radio Access Network; Evolved Universal Terrestrial Radio Access (E-UTRA); Physical Channels and Modulation (Release 10)”, March, 2011. (hereinafter “Reference ‘2’”). This index indicates both the RB and the orthogonal resource used to carry data and reference signals, and the indexed resource is therefore referred to as a ‘PUCCH resource’ in 3GPP parlance.

[0013] One cyclic shift may be used to transmit all symbols in a slot (including both data and reference symbols) associated with an antenna. In this case, the value of α is constant over the slot. However, LTE Rel-8 also supports cyclic shift hopping, where α varies over the slot. Cyclic shift hopping transmissions are synchronized within a cell such that UEs following the cell-specific hopping pattern do not mutually interfere. If neighbor cells also use cyclic shift hopping, then for each symbol in a slot, different UEs in the neighbor cells will tend to interfere with a UE in a serving cell. This provides an “interference averaging” behavior that can

mitigate the case where one or a small number of neighbor cell UEs strongly interfere with a UE in the serving cell. Because the same number of non-mutually interfering PUCCH resources are available in a cell regardless of whether cyclic shift hopping is used, PUCCH resource can be treated equivalently for the hopping and non-hopping cases. Therefore, hereinafter when reference is made to a PUCCH resource, it may be either hopped or non-hopped.

[0014] The PUCCH format 1a/1b structure shown in Figure 1 varies, depending on a few special cases. One variant of the structure that is important to some Tx diversity designs for format 1a/1b is that the last symbol of slot 1 may be dropped (not transmitted), in order to not interfere with SRS transmissions from other UEs.

[0015] In LTE Rel-10, carrier aggregation up to 4 Ack/Nack bits may be indicated using channel selection. The PUCCH resource that a UE is to use may be signaled using a combination of implicit and explicit signaling. In this case, one or more resources are signaled implicitly using the location of the scheduling grant for the UE on the PDCCH of its primary cell (PCell), and one or more resources may be indicated using the Ack/Nack resource indicator (ARI) bits contained in the grant for the UE on the PDCCH of one of the UE's secondary cells (SCells). This is shown in Figure 2. While it is not shown in Figure 2, those of skill in the art will understand that it is also possible for all PUCCH resources to be allocated with implicit signaling. This occurs when PDCCH of SCell is transmitted on PCell with cross carrier scheduling.

[0016] UEs may be scheduled on a set of control channel elements (CCEs) that are specific to that UE only. This is indicated in Figure 2 as the UE specific search space or UE Specific Search Space (UESS). The UE Specific Search Space is normally different in each subframe.

[0017] LTE PUCCH resources can be implicitly signaled by the index of the first CCE occupied by the grant transmitted to the UE on the PCell PDCCH (labeled $n_{CCE,i} = M$ in Figure 2). Up to two PUCCH resources may be determined this way in Rel-10. When two resources are implicitly signaled, the second PUCCH resource index is calculated using the next CCE after the first CCE detected by the UE (i.e., $n_{CCE,i} = M + 1$, as shown in the figure). As discussed in section 10.1 of 3GPP TS 36.213 V10.1.0, "3rd Generation Partnership Project; Technical Specification Group

Radio Access Network; Evolved Universal Terrestrial Radio Access (E-UTRA); Physical Layer Procedures (Release 10)”, March, 2011, the first and second implicit PUCCH resource indices are mapped from the first CCE index using

$$n_{PUCCH,i}^{(1)} = n_{CCE,i} + N_{PUCCH}^{(1)} \text{ and } n_{PUCCH,i+1}^{(1)} = n_{CCE,i} + 1 + N_{PUCCH}^{(1)}, \text{ respectively, they are}$$

adjacent resources. Due to the way PUCCH resources are indexed in LTE, this means that they will typically share the same PUCCH physical resource block (PRB) unless one of the two resources is near the first or the last resource in a PRB.

[0018] Because the UE Specific Search Space varies subframe by subframe, the PUCCH resource mapped to by its CCEs also varies. Therefore, the implicit resource can be in multiple different RBs depending on the subframe.

[0019] In LTE Rel-10, two bits of the PDCCH on the SCell are used as ARI bits. Also, up to two PUCCH resources are indicated by PDCCH of the SCell. This means that 4 combinations of PUCCH resources are indicated by ARI, and each combination comprises one or two PUCCH resources.

[0020] In contrast to implicit signaling, explicit PUCCH resources (of which one is addressed by the ARI) are semi-statically allocated to each UE, and therefore do not move between PUCCH RBs unless the UE is reconfigured using higher layer signaling. Since implicitly signaled PUCCH resource occupies different RBs on a subframe-by-subframe basis, but explicitly signaled PUCCH resource occupies the same RB until the UE is reconfigured, the explicit and implicit PUCCH resources will commonly not be in the same PUCCH RB.

[0021] The pairs of explicit resources corresponding to each Ack/Nack Resource Indicator (ARI) state are independently signaled such that they can be positioned anywhere in the PUCCH resource. This can be implemented using the RRC signaling of *PUCCH-Config* information elements as disclosed in section 6.3.2 of 3GPP TS 36.331 V10.1.0, “3rd Generation Partnership Project; Technical Specification Group Radio Access Network; Evolved Universal Terrestrial Radio Access (E-UTRA); Radio Resource Control (RRC); Protocol specification (Release 10),” March, 2011. This means that the PUCCH resources can be, but are not necessarily, configured to be in the same PRB.

[0022] Space Time Resource Selection Diversity (STRSD) codes can encode part of their information by selecting the PUCCH resource used for the reference signal.

This means that the data bearing OFDM symbols and reference signal bearing OFDM symbols can be in different PUCCH resource blocks. (This is not possible in LTE Rel-8, since the reference signal and data are always on the same PUCCH resource.) If the reference signal resource is in a different RB than the data resource, it can travel through a channel with a different response than the channel the data travels through. In that case, the reference signal may not allow good channel estimation for the data, leading to much higher error rates and poorer performance.

Brief Description of the Drawings

[0023] Figure 1 is an illustration of a conventional subframe having the structure of PUCCH formats 1a and 1b with normal cyclic prefix;

[0024] Figure 2 is an illustration of conventional explicit and implicit signaling for designating PUCCH for use by a user equipment device;

[0025] Figure 3 is an illustration of a communication system for implementing one or more of embodiments disclosed herein;

[0026] Figure 4 shows a wireless-enabled communications environment including an embodiment of a client node as implemented in accordance with various embodiments of the disclosure;

[0027] Figure 5 is a block diagram of an exemplary client node as implemented with a digital signal processor (DSP) in accordance with embodiments of the disclosure;

[0028] Figure 6 shows a software environment that may be implemented by a digital signal processor (DSP) in accordance with embodiments of the disclosure;

[0029] Figure 7 shows an implementation of aliased PUCCH resource mapping in accordance with embodiments of the disclosure; and

[0030] Figure 8 illustrates the signaling of Ack/Nack Resource Indicator (ARI) resources in multiple physical resource blocks in accordance with embodiments of the disclosure.

DETAILED DESCRIPTION

[0031] Various illustrative embodiments of the present disclosure will now be described in detail with reference to the accompanying figures. While various details are set forth in the following description, it will be appreciated that the present embodiments may be practiced without these specific details, and that numerous implementation-specific decisions may be made to the embodiments described herein to achieve the inventor's specific goals, such as compliance with process technology or design-related constraints, which may vary from one implementation to another. While such a development effort might be complex and time-consuming, it would nevertheless be a routine undertaking for those of skill in the art having the benefit of this disclosure. For example, selected aspects are shown in block diagram and flowchart form, rather than in detail, in order to avoid limiting or obscuring the present embodiments. In addition, some portions of the detailed descriptions provided herein are presented in terms of algorithms or operations on data within a computer memory. Such descriptions and representations are used by those skilled in the art to describe and convey the substance of their work to others skilled in the art.

[0032] As used herein, the terms "component," "system" and the like are intended to refer to a computer-related entity, either hardware, software, a combination of hardware and software, or software in execution. For example, a component may be, but is not limited to being, a processor, a process running on a processor, an object, an executable, a thread of execution, a program, or a computer. By way of illustration, both an application running on a computer and the computer itself can be a component. One or more components may reside within a process or thread of execution and a component may be localized on one computer or distributed between two or more computers.

[0033] In the present disclosure, various abbreviations are used and defined in the text of this disclosure or in the Appendix at the end of this disclosure. However, if there is an abbreviation not defined in the disclosure, the definition of the abbreviation can be readily found in 3GPP LTE standard specifications.

Overview of Wireless Communication Network

[0034] As likewise used herein, the term “node” broadly refers to a connection point, such as a redistribution point or a communication endpoint, of a communication environment, such as a network. Accordingly, such nodes refer to an active electronic device capable of sending, receiving, or forwarding information over a communications channel. Examples of such nodes include data circuit-terminating equipment (DCE), such as a modem, hub, bridge or switch, and data terminal equipment (DTE), such as a handset, a printer or a host computer (e.g., a router, workstation or server). Examples of local area network (LAN) or wide area network (WAN) nodes include computers, packet switches, cable modems, Data Subscriber Line (DSL) modems, and wireless LAN (WLAN) access points. Examples of Internet or Intranet nodes include host computers identified by an Internet Protocol (IP) address, bridges and WLAN access points. Likewise, examples of nodes in cellular communication include base stations, relays, base station controllers, radio network controllers, home location registers, Gateway GPRS Support Nodes (GGSN), Serving GPRS Support Nodes (SGSN), Serving Gateways (S-GW), and Packet Data Network Gateways (PDN-GW).

[0035] Other examples of nodes include client nodes, server nodes, peer nodes and access nodes. As used herein, a client node may refer to wireless devices such as mobile telephones, smart phones, personal digital assistants (PDAs), handheld devices, portable computers, tablet computers, and similar devices or other user equipment (UE) that has telecommunications capabilities. Such client nodes may likewise refer to a mobile, wireless device, or conversely, to devices that have similar capabilities that are not generally transportable, such as desktop computers, set-top boxes, or sensors. Likewise, a server node, as used herein, refers to an information processing device (e.g., a host computer), or series of information processing devices, that perform information processing requests submitted by other nodes. As likewise used herein, a peer node may sometimes serve as client node, and at other times, a server node. In a peer-to-peer or overlay network, a node that actively routes data for other networked devices as well as itself may be referred to as a supernode.

[0036] An access node, as used herein, refers to a node that provides a client node access to a communication environment. Examples of access nodes include cellular network base stations and wireless broadband (e.g., WiFi™, WiMAX™, etc) access points, which provide corresponding cell and WLAN coverage areas. As used herein, a macrocell is used to generally

describe a traditional cellular network cell coverage area. Such macrocells are typically found in rural areas, along highways, or in less populated areas. As likewise used herein, a microcell refers to a cellular network cell with a smaller coverage area than that of a macrocell. Such micro cells are typically used in a densely populated urban area. Likewise, as used herein, a picocell refers to a cellular network coverage area that is less than that of a microcell. An example of the coverage area of a picocell may be a large office, a shopping mall, or a train station. A femtocell, as used herein, currently refers to the smallest commonly accepted area of cellular network coverage. As an example, the coverage area of a femtocell is sufficient for homes or small offices.

[0037] In general, a coverage area of less than two kilometers typically corresponds to a microcell, 200 meters or less for a picocell, and on the order of 10 meters for a femtocell. As likewise used herein, a client node communicating with an access node associated with a macrocell is referred to as a “macrocell client.” Likewise, a client node communicating with an access node associated with a microcell, picocell, or femtocell is respectively referred to as a “microcell client,” “picocell client,” or “femtocell client.”

[0038] The term “article of manufacture” (or alternatively, “computer program product”) as used herein is intended to encompass a computer program accessible from any computer-readable device or media. For example, computer readable media can include but are not limited to magnetic storage devices (e.g., hard disk, floppy disk, magnetic strips, etc.), optical disks such as a compact disk (CD) or digital versatile disk (DVD), smart cards, and flash memory devices (e.g., card, stick, etc.).

[0039] The word “exemplary” is used herein to mean serving as an example, instance, or illustration. Any aspect or design described herein as “exemplary” is not necessarily to be construed as preferred or advantageous over other aspects or designs. Those of skill in the art will recognize many modifications may be made to this configuration without departing from the claimed subject matter. Furthermore, the disclosed subject matter may be implemented as a system, method, apparatus, or article of manufacture using standard programming and engineering techniques to produce software, firmware, hardware, or any combination

thereof to control a computer or processor-based device to implement aspects detailed herein.

[0040] Figure 3 illustrates an example of a system 100 suitable for implementing one or more embodiments disclosed herein. In various embodiments, the system 100 comprises a processor 110, which may be referred to as a central processor unit (CPU) or digital signal processor (DSP), network connectivity interfaces 120, random access memory (RAM) 130, read only memory (ROM) 140, secondary storage 150, and input/output (I/O) devices 160. In some embodiments, some of these components may not be present or may be combined in various combinations with one another or with other components not shown. These components may be located in a single physical entity or in more than one physical entity. Any actions described herein as being taken by the processor 110 might be taken by the processor 110 alone or by the processor 110 in conjunction with one or more components shown or not shown in Figure 3.

[0041] The processor 110 executes instructions, codes, computer programs, or scripts that it might access from the network connectivity interfaces 120, RAM 130, or ROM 140. While only one processor 110 is shown, multiple processors may be present. Thus, while instructions may be discussed as being executed by a processor 110, the instructions may be executed simultaneously, serially, or otherwise by one or multiple processors 110 implemented as one or more CPU chips.

[0042] In various embodiments, the network connectivity interfaces 120 may take the form of modems, modem banks, Ethernet devices, universal serial bus (USB) interface devices, serial interfaces, token ring devices, fiber distributed data interface (FDDI) devices, wireless local area network (WLAN) devices, radio transceiver devices such as code division multiple access (CDMA) devices, global system for mobile communications (GSM) radio transceiver devices, long term evolution (LTE) radio transceiver devices, worldwide interoperability for microwave access (WiMAX) devices, and/or other well-known interfaces for connecting to networks, including Personal Area Networks (PANs) such as Bluetooth™. These network connectivity interfaces 120 may enable the processor 110 to communicate with the Internet or one or more telecommunications networks or other networks from which the processor

110 might receive information or to which the processor 110 might output information.

[0043] The network connectivity interfaces 120 may also be capable of transmitting or receiving data wirelessly in the form of electromagnetic waves, such as radio frequency signals or microwave frequency signals. Information transmitted or received by the network connectivity interfaces 120 may include data that has been processed by the processor 110 or instructions that are to be executed by processor 110. The data may be ordered according to different sequences as may be desirable for either processing or generating the data or transmitting or receiving the data.

[0044] In various embodiments, the RAM 130 may be used to store volatile data and instructions that are executed by the processor 110. The ROM 140 shown in Figure 3 may likewise be used to store instructions and data that is read during execution of the instructions. The secondary storage 150 is typically comprised of one or more disk drives or tape drives and may be used for non-volatile storage of data or as an overflow data storage device if RAM 130 is not large enough to hold all working data. Secondary storage 150 may likewise be used to store programs that are loaded into RAM 130 when such programs are selected for execution. The I/O devices 160 may include liquid crystal displays (LCDs), Light Emitting Diode (LED) displays, Organic Light Emitting Diode (OLED) displays, projectors, televisions, touch screen displays, keyboards, keypads, switches, dials, mice, track balls, voice recognizers, card readers, paper tape readers, printers, video monitors, or other well-known input/output devices.

[0045] Figure 4 shows a wireless-enabled communications environment including an embodiment of a client node as implemented in an embodiment. Though illustrated as a mobile phone, the client node 202 may take various forms including a wireless handset, a pager, a smart phone, or a personal digital assistant (PDA). In various embodiments, the client node 202 may also comprise a portable computer, a tablet computer, a laptop computer, or any computing device operable to perform data communication operations. Many suitable devices combine some or all of these functions. In some embodiments, the client node 202 is not a general purpose computing device like a portable, laptop, or tablet computer, but rather is a special-purpose communications device such as a telecommunications device installed in a

vehicle. The client node 202 may likewise be a device, include a device, or be included in a device that has similar capabilities but that is not transportable, such as a desktop computer, a set-top box, or a network node. In these and other embodiments, the client node 202 may support specialized activities such as gaming, inventory control, job control, task management functions, and so forth.

[0046] In various embodiments, the client node 202 includes a display 204. In these and other embodiments, the client node 202 may likewise include a touch-sensitive surface, a keyboard or other input keys 206 generally used for input by a user. The input keys 206 may likewise be a full or reduced alphanumeric keyboard such as QWERTY, Dvorak, AZERTY, and sequential keyboard types, or a traditional numeric keypad with alphabet letters associated with a telephone keypad. The input keys 206 may likewise include a trackwheel, an exit or escape key, a trackball, and other navigational or functional keys, which may be inwardly depressed to provide further input function. The client node 202 may likewise present options for the user to select, controls for the user to actuate, and cursors or other indicators for the user to direct.

[0047] The client node 202 may further accept data entry from the user, including numbers to dial or various parameter values for configuring the operation of the client node 202. The client node 202 may further execute one or more software or firmware applications in response to user commands. These applications may configure the client node 202 to perform various customized functions in response to user interaction. Additionally, the client node 202 may be programmed or configured over-the-air (OTA), for example from a wireless network access node 'A' 210 through 'n' 216 (e.g., a base station), a server node 224 (e.g., a host computer), or a peer client node 202.

[0048] Among the various applications executable by the client node 202 are a web browser, which enables the display 204 to display a web page. The web page may be obtained from a server node 224 through a wireless connection with a wireless network 220. As used herein, a wireless network 220 broadly refers to any network using at least one wireless connection between two of its nodes. The various applications may likewise be obtained from a peer client node 202 or other system

over a connection to the wireless network 220 or any other wirelessly-enabled communication network or system.

[0049] In various embodiments, the wireless network 220 comprises a plurality of wireless sub-networks (e.g., cells with corresponding coverage areas) 'A' 212 through 'n' 218. As used herein, the wireless sub-networks 'A' 212 through 'n' 218 may variously comprise a mobile wireless access network or a fixed wireless access network. In these and other embodiments, the client node 202 transmits and receives communication signals, which are respectively communicated to and from the wireless network nodes 'A' 210 through 'n' 216 by wireless network antennas 'A' 208 through 'n' 214 (e.g., cell towers). In turn, the communication signals are used by the wireless network access nodes 'A' 210 through 'n' 216 to establish a wireless communication session with the client node 202. As used herein, the network access nodes 'A' 210 through 'n' 216 broadly refer to any access node of a wireless network. As shown in Figure 4, the wireless network access nodes 'A' 210 through 'n' 216 are respectively coupled to wireless sub-networks 'A' 212 through 'n' 218, which are in turn connected to the wireless network 220.

[0050] In various embodiments, the wireless network 220 is coupled to a physical network 222, such as the Internet. Via the wireless network 220 and the physical network 222, the client node 202 has access to information on various hosts, such as the server node 224. In these and other embodiments, the server node 224 may provide content that may be shown on the display 204 or used by the client node processor 110 for its operations. Alternatively, the client node 202 may access the wireless network 220 through a peer client node 202 acting as an intermediary, in a relay type or hop type of connection. As another alternative, the client node 202 may be tethered and obtain its data from a linked device that is connected to the wireless network 212. Skilled practitioners of the art will recognize that many such embodiments are possible and the foregoing is not intended to limit the spirit, scope, or intention of the disclosure.

[0051] Figure 5 depicts a block diagram of an exemplary client node as implemented with a digital signal processor (DSP) in accordance with one embodiment. While various components of a client node 202 are depicted, various embodiments of the client node 202 may include a subset of the listed components or

additional components not listed. As shown in Figure 5, the client node 202 includes a DSP 302 and a memory 304. As shown, the client node 202 may further include an antenna and front end unit 306, a radio frequency (RF) transceiver 308, an analog baseband processing unit 310, a microphone 312, an earpiece speaker 314, a headset port 316, a bus 318, such as a system bus or an input/output (I/O) interface bus, a removable memory card 320, a universal serial bus (USB) port 322, a short range wireless communication sub-system 324, an alert 326, a keypad 328, a liquid crystal display (LCD) 330, which may include a touch sensitive surface, an LCD controller 332, a charge-coupled device (CCD) camera 334, a camera controller 336, and a global positioning system (GPS) sensor 338, and a power management module 340 operably coupled to a power storage unit, such as a battery 342. In various embodiments, the client node 202 may include another kind of display that does not provide a touch sensitive screen. In one embodiment, the DSP 302 communicates directly with the memory 304 without passing through the input/output interface 318.

[0052] In various embodiments, the DSP 302 or some other form of controller or central processing unit (CPU) operates to control the various components of the client node 202 in accordance with embedded software or firmware stored in memory 304 or stored in memory contained within the DSP 302 itself. In addition to the embedded software or firmware, the DSP 302 may execute other applications stored in the memory 304 or made available via information carrier media such as portable data storage media like the removable memory card 320 or via wired or wireless network communications. The application software may comprise a compiled set of machine-readable instructions that configure the DSP 302 to provide the desired functionality, or the application software may be high-level software instructions to be processed by an interpreter or compiler to indirectly configure the DSP 302.

[0053] The antenna and front end unit 306 may be provided to convert between wireless signals and electrical signals, enabling the client node 202 to send and receive information from a cellular network or some other available wireless communications network or from a peer client node 202. In an embodiment, the antenna and front end unit 306 includes multiple antennas to provide spatial diversity which can be used to overcome difficult channel conditions or to increase channel throughput. As is known to those skilled in the art, multiple antennas may also be used to support beam forming and/or multiple input multiple output (MIMO)

operations thereby further improving channel throughput or robustness to difficult channel conditions. Likewise, the antenna and front end unit 306 may include antenna tuning or impedance matching components, RF power amplifiers, or low noise amplifiers.

[0054] In various embodiments, the RF transceiver 308 provides frequency shifting, converting received RF signals to baseband and converting baseband transmit signals to RF. In some descriptions a radio transceiver or RF transceiver may be understood to include other signal processing functionality such as modulation/demodulation, coding/decoding, interleaving/deinterleaving, spreading/despreading, inverse fast Fourier transforming (IFFT)/fast Fourier transforming (FFT), cyclic prefix appending/removal, and other signal processing functions. For the purposes of clarity, the description here separates the description of this signal processing from the RF and/or radio stage and conceptually allocates that signal processing to the analog baseband processing unit 310 or the DSP 302 or other central processing unit. In some embodiments, the RF Transceiver 108, portions of the Antenna and Front End 306, and the analog base band processing unit 310 may be combined in one or more processing units and/or application specific integrated circuits (ASICs).

[0055] The analog baseband processing unit 310 may provide various analog processing of inputs and outputs, for example analog processing of inputs from the microphone 312 and the headset 316 and outputs to the earpiece 314 and the headset 316. To that end, the analog baseband processing unit 310 may have ports for connecting to the built-in microphone 312 and the earpiece speaker 314 that enable the client node 202 to be used as a cell phone. The analog baseband processing unit 310 may further include a port for connecting to a headset or other hands-free microphone and speaker configuration. The analog baseband processing unit 310 may provide digital-to-analog conversion in one signal direction and analog-to-digital conversion in the opposing signal direction. In various embodiments, at least some of the functionality of the analog baseband processing unit 310 may be provided by digital processing components, for example by the DSP 302 or by other central processing units.

[0056] The DSP 302 may perform modulation/demodulation, coding/decoding, interleaving/deinterleaving, spreading/despreading, inverse fast Fourier transforming (IFFT)/fast Fourier transforming (FFT), cyclic prefix appending/removal, and other signal processing functions associated with wireless communications. In an embodiment, for example in a code division multiple access (CDMA) technology application, for a transmitter function the DSP 302 may perform modulation, coding, interleaving, and spreading, and for a receiver function the DSP 302 may perform despreading, deinterleaving, decoding, and demodulation. In another embodiment, for example in an orthogonal frequency division multiplex access (OFDMA) technology application, for the transmitter function the DSP 302 may perform modulation, coding, interleaving, inverse fast Fourier transforming, and cyclic prefix appending, and for a receiver function the DSP 302 may perform cyclic prefix removal, fast Fourier transforming, deinterleaving, decoding, and demodulation. In other wireless technology applications, yet other signal processing functions and combinations of signal processing functions may be performed by the DSP 302.

[0057] The DSP 302 may communicate with a wireless network via the analog baseband processing unit 310. In some embodiments, the communication may provide Internet connectivity, enabling a user to gain access to content on the Internet and to send and receive e-mail or text messages. The input/output interface 318 interconnects the DSP 302 and various memories and interfaces. The memory 304 and the removable memory card 320 may provide software and data to configure the operation of the DSP 302. Among the interfaces may be the USB interface 322 and the short range wireless communication sub-system 324. The USB interface 322 may be used to charge the client node 202 and may also enable the client node 202 to function as a peripheral device to exchange information with a personal computer or other computer system. The short range wireless communication sub-system 324 may include an infrared port, a Bluetooth™ interface, an IEEE 802.11 compliant wireless interface, or any other short range wireless communication sub-system, which may enable the client node 202 to communicate wirelessly with other nearby client nodes and access nodes.

[0058] The input/output interface 318 may further connect the DSP 302 to the alert 326 that, when triggered, causes the client node 202 to provide a notice to the user, for example, by ringing, playing a melody, or vibrating. The alert 326 may

serve as a mechanism for alerting the user to any of various events such as an incoming call, a new text message, and an appointment reminder by silently vibrating, or by playing a specific pre-assigned melody for a particular caller.

[0059] The keypad 328 couples to the DSP 302 via the I/O interface 318 to provide one mechanism for the user to make selections, enter information, and otherwise provide input to the client node 202. The keyboard 328 may be a full or reduced alphanumeric keyboard such as QWERTY, Dvorak, AZERTY and sequential types, or a traditional numeric keypad with alphabet letters associated with a telephone keypad. The input keys may likewise include a trackwheel, an exit or escape key, a trackball, and other navigational or functional keys, which may be inwardly depressed to provide further input function. Another input mechanism may be the LCD 330, which may include touch screen capability and also display text and/or graphics to the user. The LCD controller 332 couples the DSP 302 to the LCD 330.

[0060] The CCD camera 334, if equipped, enables the client node 202 to take digital pictures. The DSP 302 communicates with the CCD camera 334 via the camera controller 336. In another embodiment, a camera operating according to a technology other than Charge Coupled Device cameras may be employed. The GPS sensor 338 is coupled to the DSP 302 to decode global positioning system signals or other navigational signals, thereby enabling the client node 202 to determine its position. Various other peripherals may also be included to provide additional functions, such as radio and television reception.

[0061] Figure 6 illustrates a software environment 402 that may be implemented by a digital signal processor (DSP). In this embodiment, the DSP 302 shown in Figure 5 executes an operating system 404, which provides a platform from which the rest of the software operates. The operating system 404 likewise provides the client node 202 hardware with standardized interfaces (e.g., drivers) that are accessible to application software. The operating system 404 likewise comprises application management services (AMS) 406 that transfer control between applications running on the client node 202. Also shown in Figure 6 are a web browser application 408, a media player application 410, and Java applets 412. The web browser application 408 configures the client node 202 to operate as a web browser, allowing a user to enter

information into forms and select links to retrieve and view web pages. The media player application 410 configures the client node 202 to retrieve and play audio or audiovisual media. The Java applets 412 configure the client node 202 to provide games, utilities, and other functionality. A component 414 may provide functionality described herein. In various embodiments, the client node 202, the wireless network nodes 'A' 210 through 'n' 216, and the server node 224 shown in Figure 4 may likewise include a processing component that is capable of executing instructions related to the actions described above.

Orthogonal Resource Selection Transmit Diversity and Resource Assignment

[0062] As discussed above, it is likely that PUCCH resources indicated on PCell will be in different PUCCH RBs than those indicated on SCell. Therefore, solutions are needed that ensure that all PUCCH resources carried on an antenna are in the same RB, even when the resources allocated for STRSD code are signaled partly using PCell and partly using SCell.

[0063] The embodiments disclosed herein address the need for the PUCCH resources of reference symbols and data symbols for a transmit antenna of STRSD codes to be in the same PRB. They can be broken into two classes: (1) those that adjust the STRSD codes to simplify resource allocation with pairs of (rather than all 4) PUCCH resources in the same PRB without altering PUCCH resource allocation methods, and (2) those that do not adjust the STRSD codes, but instead alter the resource allocation or signaling to place the PUCCH resources in the same PRB.

[0064] An embodiment of a STRSD code, herein referred to as time-constrained STRSD, is described by Table 2, shown below, including a candidate mapping to Ack/Nack bit states. In Table 2, the combinations of Ack/Nack bits are indicated by the rows. In addition, the PUCCH resources used for data or reference symbols are indicated by the columns. Further, the data symbols transmitted are indicated in the cell at the intersection of corresponding rows and columns of the table. An Ack/Nack bit of '1' indicates an Ack, whereas a '0' indicates either a 'Nack' or that the PDCCH corresponding to the transport block was not received (a discontinuous transmission 'DTX'). The antenna ports are listed in two sets of columns. Since it can be assumed that transmitted data symbols may be different across the slots, each antenna is

labeled with a symbol pair (where the first and second listed symbols correspond to the first and second slots, respectively) for each Ack/Nack bit combination as shown in the table. For concreteness, it can be assumed that the QPSK symbols correspond to s_0 , s_1 , s_2 , and s_3 , are 1, j , $-j$, and -1 , respectively. The PUCCH resource used for the reference signal of an Ack/Nack bit combination is indicated with an 'r' in the cell at the intersection of the column corresponding to the resource and the row corresponding to the Ack/Nack bits. Since it can be assumed that the PUCCH resource used for the reference signals does not vary between slots, only one 'r' is needed per antenna on a row.

[0065] For example, if the Ack/Nack codeword '1001' is to be transmitted, on the first antenna the reference signal will be transmitted on PUCCH resource 0 (labeled 'Ch#0') and the data symbols in both slots will be transmitted on PUCCH resource 3 using symbol s_1 (which corresponds to ' j '). On the second antenna, the reference symbol is transmitted on PUCCH resource 3 in both slots, whereas the data symbol is transmitted on PUCCH resource 0 in both slots, but has the values ' s_1 ' in the first slot and ' s_0 ' in the second slot.

Table 2: Time constrained STRSD

A/N bits				Antenna port#0				Antenna port#1			
b3	b2	b1	b0	Ch#0	Ch#1	Ch#2	Ch#3	Ch#0	Ch#1	Ch#2	Ch#3
0	0	0	0	s_0, s_0, r					s_2, s_2, r		
0	0	0	1	s_1, s_1, r					s_1, s_0, r		
0	0	1	0	s_2, s_2, r					s_0, s_1, r		
0	0	1	1	s_3, s_3, r					s_3, s_3, r		
1	1	0	1		s_0, s_0	r			r	s_2, s_2	
0	1	0	1		s_1, s_1	r			r	s_1, s_0	
0	1	1	0		s_2, s_2	r			r	s_0, s_1	
0	1	1	1		s_3, s_3	r			r	s_3, s_3	
1	1	1	0	r			s_0, s_0	s_2, s_2			r
1	0	0	1	r			s_1, s_1	s_1, s_0			r
1	0	1	0	r			s_2, s_2	s_0, s_1			r
1	0	1	1	r			s_3, s_3	s_3, s_3			r
1	1	0	0			s_0, s_0, r					s_2, s_2, r
0	1	0	0			s_1, s_1, r					s_1, s_0, r
1	0	0	0			s_2, s_2, r					s_0, s_1, r
1	1	1	1			s_3, s_3, r					s_3, s_3, r

[0066] The code design assumes that PUCCH resources 0 and 1 (Ch#0 and Ch#1) are signaled on the primary cell (PCell), and PUCCH resources 2 and 3 (Ch#2 and Ch#3) are signaled on a

secondary cell (SCell), which is in line with the resource allocation in the channel selection specified in Rel-10 as described in Section 2.3. Note that this is done so that if a grant on either PCell or SCell is missed, the UE can still transmit Ack or Nack for the cell it did receive PDCCH on. Note that if no PDCCH is received, the UE does not transmit on any resource. Also, if $(b_0, b_1, b_2, b_3) = (0, 0, 0, 0)$ and PDCCH for PCell is not received (it is DTX), and if the SCell contains only Nacks, the UE will not transmit on any resource.

[0067] Examining Table 2, it can be seen that for a given antenna, some combinations of Ack/Nack bits have the reference signal in a PUCCH resource signaled on a different cell than the data symbol resource. For example, on antenna port #0, Ack/Nack word '1001' uses resource 0 for the reference signal and resource 3 for the data. This means that it can potentially be in a different PRB, since the PUCCH resource indicated on PCell and on SCell can be in different PRBs.

[0068] Rel-10 LTE uses signaling where the implicitly signaled PUCCH resources are not constrained to be in the same RB as those signaled explicitly via ARI. When time constrained STRSD is used with this Rel-10 signaling, the eNB can schedule UEs only in subframes when their implicit and explicit PUCCH resources land in the same RB. If only 1 RB is used for format 1b PUCCH transmission, the UE may be scheduled in any subframe. However, if $M > 1$ RBs are used to carry format 1b PUCCH, the scheduler may only be able to schedule a UE on average once out of M subframes (in the subframes where the implicit and explicit resource is in the same RB).

[0069] Another example STRSD scheme, herein referred to as time varying STRSD is a more general code. It is shown in Table 3, along with a candidate mapping to Ack/Nack bit states. It varies the resource used for reference signals across slots, as well as for data on both antennas. While varying more across slots improves the performance relative to time constrained STRSD, it also increases the complexity of the code and the eNB receiver (especially due to the

variation of the reference signals). Since the performance improvement is on the order of a few tenths dB in typical urban channels, it may be desirable in some scenarios to use a simpler code.

Table 3 : Time varying STRSD code

A/N bits				Slot #0								Slot #1							
				Antenna port#0				Antenna port#1				Antenna port#0				Antenna port#1			
b3	b2	b1	b0	Ch0	Ch1	Ch2	Ch3	Ch0	Ch1	Ch2	Ch3	Ch0	Ch1	Ch2	Ch3	Ch0	Ch1	Ch2	Ch3
0	0	0	0	s0,r						s2,r		s0,r						s2,r	
0	0	0	1	s1,r						s1,r		s1,r						s0,r	
0	0	1	0	s3,r						s3,r		s3,r						s3,r	
0	0	1	1	s2,r						s0,r		s2,r						s1,r	
1	1	0	0	s0	r					s2,r		s0	r					s2,r	
0	1	0	0	s1	r					s1,r		s1	r					s0,r	
1	0	0	0	s3	r					s3,r		s3	r					s3,r	
1	1	1	1	s2	r					s0,r		s2	r					s1,r	
1	1	1	0		s0,r					s2	r	r	s0					r	s2
1	0	0	1		s1,r					s1	r	r	s1					r	s0
1	0	1	0		s3,r					s3	r	r	s3					r	s3
1	0	1	1		s2,r					s0	r	r	s2					r	s1
1	1	0	1	r	s0					r	s2		s0,r					s2	r
0	1	0	1	r	s1					r	s1		s1,r					s0	r
1	1	1	0	r	s3					r	s3		s3,r					s3	r
0	1	1	1	r	s2					r	s0		s2,r					s1	r

[0070] STRSD schemes such as time constrained and time varying STRSD provide substantial reductions in required transmit power without increasing the number of PUCCH resources needed for channel selection. While this disclosure provides resource allocation for channel selection TxD schemes, it is worth mentioning other channel selection TxD codes that have been proposed. Two such proposals have the main benefit of STRSD in that they do not use more than 4 PUCCH resources to signal 4 Ack/Nack bits. These two proposals are Modified SORTD and space code block coding (SCBC), and they are shown in Tables 4 and 5 below. STRSD codes are similar to modified SORTD in the sense that 4 different pairs of channels are used by different codewords. Also, in both STRSD and SCBC, the resource for a reference symbol is not always the same as that used for the corresponding data symbol. However, STRSD is more general than the other two codes in that it also allows the symbols to vary between slots on the second antenna, and because the reference symbols' orthogonal resources vary with the Ack/Nack bits in a different manner than how the data orthogonal resources vary. In fact, it can be

seen in Table 4 and Table 5 that the reference symbols' orthogonal resources do not vary at all with the Ack/Nack bits. By contrast, reference symbols' orthogonal resources in STRSD codes can vary with the Ack/Nack bits such that the reference symbols and data symbols are on the same orthogonal resource for some states of the A/N bits, but not for other states of the A/N bits. These generalizations allow it to obtain improved performance, typically about 1 dB better than the other codes.

Table 4 : Modified SORTD

A/N bits				Antenna port#0				Antenna port#1			
b3	b2	b1	b0	Ch#0	Ch#1	Ch#2	Ch#3	Ch#0	Ch#1	Ch#2	Ch#3
0	0	0	0	s0,s0,r					r	s0,s0	
0	0	0	1	s1,s1,r					r	s1,s1	
0	0	1	0	s2,s2,r					r	s2,s2	
0	0	1	1	s3,s3,r					r	s3,s3	
0	1	0	0	r	s0,s0			s0,s0	r		
0	1	0	1	r	s1,s1			s1,s1	r		
0	1	1	0	r	s2,s2			s2,s2	r		
0	1	1	1	r	s3,s3			s3,s3	r		
1	0	0	0	r		s0,s0			r		s0,s0
1	0	0	1	r		s1,s1			r		s1,s1
1	0	1	0	r		s2,s2			r		s2,s2
1	0	1	1	r		s3,s3			r		s3,s3
1	1	0	0	r			s0,s0		s0,s0,r		
1	1	0	1	r			s1,s1		s1,s1,r		
1	1	1	0	r			s2,s2		s2,s2,r		
1	1	1	1	r			s3,s3		s3,s3,r		

Table 5: SCBC

A/N bits				Antenna port#0				Antenna port#1			
b3	b2	b1	b0	Ch#0	Ch#1	Ch#2	Ch#3	Ch#0	Ch#1	Ch#2	Ch#3
0	0	0	0	s0,s0,r					s2,s2,r		
0	0	0	1	s1,s1,r					s3,s3,r		
0	0	1	0	s2,s2,r					s0,s0,r		
0	0	1	1	s3,s3,r					s1,s1,r		
0	1	0	0	r	s0,s0			s1,s1	r		
0	1	0	1	r	s1,s1			s0,s0	r		
0	1	1	0	r	s2,s2			s3,s3	r		
0	1	1	1	r	s3,s3			s2,s2	r		
1	0	0	0	r		s0,s0			r		s2,s2
1	0	0	1	r		s1,s1			r		s3,s3
1	0	1	0	r		s2,s2			r		s0,s0
1	0	1	1	r		s3,s3			r		s1,s1
1	1	0	0	r			s0,s0		r	s1,s1	
1	1	0	1	r			s1,s1		r	s0,s0	
1	1	1	0	r			s2,s2		r	s3,s3	
1	1	1	1	r			s3,s3		r	s2,s2	

[0071] The modified STRSD codes of the embodiments above provide that the orthogonal resources used on each antenna are signaled either implicitly from PCell or explicitly from SCell. Resources signaled from a cell are in the same PUCCH PRB, but different cells' resources can be in different PRBs. As a result, resources for data and reference signal on an antenna are in one PUCCH PRB. Furthermore, the codes maintain the properties of earlier STRSD codes: 1) if a PDCCH is missed, the mapping should not use the resource indicated by the missed PDCCH and/or 2) resource for the reference signal can be different across the slots.

Common PRB STRSD code

[0072] In one embodiment, the time constrained STRSD code described above can be altered such that for each antenna, each codeword (or row of the code's table) uses resources signaled from only one of the serving cells. This can be seen in the common PRB STRSD code in Table 6, since in this embodiment resource 0,1 and 2,3 are signaled on PCell and SCell, respectively according to PUCCH resource allocation in the channel selection supported in Rel-10. Each row for either antenna port 0 or 1 only contains one of resource (0,1) or of (2,3). Therefore, when the reference signal is on a different resource than the data (as is the case in the 5th through the 12th rows of the table), the reference signal is always on a resource signaled from the same cell as the data's resource. Since the reference and data resources are signaled from the same cell, given the structure of the implicit and explicit resource signaling, it is relatively easier to ensure that the data and reference share the same PRB. One should also note that this code retains the property of the time constrained STRSD code that allows it to function when PDCCH of either PCell or SCell is missed (DTX). When (b0,b1) or (b2,b3) are (0,0), PDCCH of PCell or SCell may be DTX, respectively. For A/N states '1100', '0100', and '1000', PDCCH of PCell may be DTX and only resources 2 and 3 are needed. Also, for A/N states '0000', '0001', '0010', and '0011', PDCCH of SCell may be DTX and only resources 0 and 1 are needed. In general, there should exist two groups of codewords (each group containing codewords transmitted when either the PCell or SCell is DTX) such that each group uses resources signaled from only one of the cells. Furthermore, in this embodiment, codewords within each group use the same PUCCH resource, and so only differ by the modulation symbols used.

[0073] Note that this embodiment and all following embodiments have substantially the same behavior as the example STRSD codes when $(b_0, b_1, b_2, b_3) = (0, 0, 0, 0)$. If no PDCCH is received, the UE does not transmit on any resource. Also, if PDCCH for PCell is not received (it is DTX), and if the SCell contains only Nacks, the UE will not transmit on any resource.

Table 6 : Common PRB STRSD code

A/N bits				Antenna port#0				Antenna port#1			
b3	b2	b1	b0	Ch#0	Ch#1	Ch#2	Ch#3	Ch#0	Ch#1	Ch#2	Ch#3
0	0	0	0	s0,s0,r					s2,s2,r		
0	0	0	1	s1,s1,r					s1,s0,r		
0	0	1	0	s2,s2,r					s0,s1,r		
0	0	1	1	s3,s3,r					s3,s3,r		
1	1	0	1	r	s0,s0					s2,s2	r
0	1	0	1	r	s1,s1					s1,s0	r
0	1	1	0	r	s2,s2					s0,s1	r
0	1	1	1	r	s3,s3					s3,s3	r
1	1	1	0			r	s0,s0	s2,s2	r		
1	0	0	1			r	s1,s1	s1,s0	r		
1	0	1	0			r	s2,s2	s0,s1	r		
1	0	1	1			r	s3,s3	s3,s3	r		
1	1	0	0			s0,s0,r					s2,s2,r
0	1	0	0			s1,s1,r					s1,s0,r
1	0	0	0			s2,s2,r					s0,s1,r
1	1	1	1			s3,s3,r					s3,s3,r

[0074] This embodiment provides a number of benefits:

[0075] 1) Since resources signaled from one cell can be controlled such that they are in the same PRB more easily, the new STRSD code can allow UEs to be scheduled in any subframe when they could not be in time constrained STRSD.

[0076] 2) The code is simpler than time varying STRSD. Reference signal resource does not vary across slots, nor does the resource used for data symbols.

[0077] 3) PUCCH resource is implicitly addressed using existing PUCCH resource allocation mechanisms from Rel-8 and Rel-10.

[0078] 4) The eNB scheduler flexibility is minimally affected. The PUCCH on PCell must be scheduled such that implicit resources 0 and 1 are in the same PRB, and the explicit resources 2 and 3 must also be signaled into the same PRB. However, the implicit and explicit resources need not all be in the same PRB. Furthermore, the UESS or mapping from CCE to PUCCH resources need not be redefined.

Constrained Time Varying Common PRB STRSD

[0079] In another embodiment of the disclosure, the time varying STRSD is altered so that when resources 0 and 1 are signaled with PDCCH of PCell and resources 2 and 3 are signaled with PDCCH of SCell, then if PDCCH on the PCell is missed, the UE will be able to transmit on any PUCCH resources indicated by the PDCCH of SCell. The resulting constrained time varying common PRB STRSD code is shown in Table 7. A/N codewords ‘1100’, ‘0100’, and ‘1000’, now use PUCCH resources 2 and 3 only, which are signaled on SCell. Furthermore, the code maintains the property that for each antenna during each slot, each codeword (or row of the table) uses PUCCH resources signaled from PDCCH of only one of the cells. As with the common PRB STRSD code, this can be seen in the table, since PUCCH resources 0,1 and 2,3 are signaled with PDCCH of PCell and SCell, respectively. Each row for each slot for either antenna port 0 or 1 only contains one of resource (0,1) or of (2,3), and again it is relatively easy to ensure that the data and reference share the same PRB even when explicit resource allocation is used.

Table 7 : Constrained time varying common PRB STRSD code

A/N bits				Slot #0								Slot #1							
				Antenna port#0				Antenna port#1				Antenna port#0				Antenna port#1			
b3	b2	b1	b0	Ch0	Ch1	Ch2	Ch3	Ch0	Ch1	Ch2	Ch3	Ch0	Ch1	Ch2	Ch3	Ch0	Ch1	Ch2	Ch3
0	0	0	0	s0,r					s2,r			s0,r					s2,r		
0	0	0	1	s1,r					s1,r			s1,r					s0,r		
0	0	1	0	s3,r					s3,r			s3,r					s3,r		
0	0	1	1	s2,r					s0,r			s2,r					s1,r		
1	1	0	1	s0	r						s2,r	s0	r						s2,r
0	1	0	1	s1	r						s1,r	s1	r						s0,r
0	1	1	0	s3	r						s3,r	s3	r						s3,r
0	1	1	1	s2	r						s0,r	s2	r						s1,r
1	1	1	0			s0,r		r	s2					s0	r	s2,r			
1	0	0	1			s1,r		r	s1					s1	r	s0,r			
1	0	1	0			s3,r		r	s3					s3	r	s3,r			
1	0	1	1			s2,r		r	s0					s2	r	s1,r			
1	1	0	0			s0	r			r	s2			r	s0			s2	r
0	1	0	0			s1	r			r	s1			r	s1			s0	r
1	0	0	0			s3	r			r	s3			r	s3			s3	r
1	1	1	1			s2	r			r	s0			r	s2			s1	r

[0080] This embodiment has the following benefits:

[0081] 1) Since the structure is close to time varying STRSD, it is expected to have similar performance advantages over Embodiment #1 to that of time varying STRSD as shown in Table 3.

[0082] 2) Since resources signaled from one cell can be controlled such that they are in the same PRB more easily, the new STRSD code can allow UEs to be scheduled in any subframe when they could not be in time constrained STRSD.

[0083] 3) PUCCH resource is implicitly addressed using existing mechanisms from Rel-8 and Rel-10.

[0084] 4) The eNB scheduler flexibility is minimally affected. The PUCCH on PCell must be scheduled such that implicit resources 0 and 1 are in the same PRB, and the explicit resources 2 and 3 must also be signaled into the same PRB. However, the implicit and explicit resources need not all be in the same PRB. Furthermore, the UESS or mapping from CCE to PUCCH resources need not be redefined.

Aliased PUCCH Resource Mapping

[0085] Aspects of another embodiment of the disclosure can be understood by referring to Figure 7 in connection with the discussion below.

[0086] Altering the STRSD code may reduce its performance. Therefore, when performance should be maximized, one can consider embodiments that do not impose constraints on the STRSD code's use of PUCCH resource.

[0087] This embodiment has the benefit of supporting better performing STRSD codes by constraining the mapping to PUCCH resources. This can in general be done by splitting the PUCCH resource into multiple consecutive ranges, each range containing exactly one PUCCH PRB, and setting the PUCCH resource index to be the sum of a fixed offset and a dynamic offset, as is shown in Figure 7. The fixed offset adjusts the beginning of a range of PUCCH resource, and the dynamic offset allows the PUCCH resources within the range to be addressed. For a UE, each contiguous block of PDCCH CCEs maps to the same PUCCH PRB, which results in a many to one or 'aliased' PUCCH resource mapping.

[0088] One way to express this when the PUCCH resource ranges are of equal size is through Equation 1 below:

$$n_{PUCCH,i}^{(1)} = (n_{CCE,i} + N_{PUCCH}^{(1)}) \bmod(C) + \lfloor N_{PUCCH}^{(1)} / C \rfloor \quad (1.)$$

where: $C = cN_{sc}^{RB} / \Delta_{shift}^{PUCCH}$ and $c, N_{sc}^{RB}, \Delta_{shift}^{PUCCH}, N_{PUCCH}^{(1)}$, are defined in section 5.4 of 3GPP TS 36.211 V10.1.0, “3rd Generation Partnership Project; Technical Specification Group Radio Access Network; Evolved Universal Terrestrial Radio Access (E-UTRA); Physical Channels and Modulation (Release 10)”, March, 2011, and $n_{PUCCH,i}^{(1)}$ is the i^{th} PUCCH resource.

[0089] Here, the fixed offset is $\lfloor N_{PUCCH}^{(1)} / C \rfloor$ and the dynamic offset is $(n_{CCE,i} + N_{PUCCH}^{(1)}) \bmod(C)$, the number of PUCCH resources in a range is C . Since $N_{PUCCH}^{(1)}$ as defined in Rel-8 can address each PUCCH resource in over 50 RBs, and since 50 PUCCH RBs should be more than enough even for 20 MHz (the largest carrier bandwidth defined in LTE Rel-10), its range is large enough such that no additional offset variable or constant is needed in equation 1 above. $N_{PUCCH}^{(1)}$ can be set to offset the PUCCH resource addressed by equation 1 above to the beginning of more than 50 PUCCH PRBs.

[0090] The second implicit PUCCH resource is preferably adjacent to the first implicit PUCCH resource, and thus a modification of Equation 1 can be expressed as in Equation 2 below:

$$n_{PUCCH,i+1}^{(1)} = (n_{CCE,i} + N_{PUCCH}^{(1)} + 1) \bmod(C) + \lfloor N_{PUCCH}^{(1)} / C \rfloor \quad (2.)$$

[0091] Here, unless the first implicit PUCCH resource, $n_{PUCCH,i}^{(1)}$, is at the end of a PRB, the second PUCCH resource, $n_{PUCCH,i+1}^{(1)}$ will be adjacent to the first. Note that proper selection of $N_{PUCCH}^{(1)}$ allow this to be the case for up to $C-1$ values of $n_{PUCCH,i}^{(1)}$.

[0092] This embodiment has the following benefits:

[0093] 1) Slight performance improvements are possible by allowing a less constrained STRSD code to be used. Time varying STRSD can be used to provide a couple of tenths dB better Nack to Ack performance at higher Nack to Ack error rates.

[0094] 2) The UESS need not be redefined. Only the mapping of PUCCH resource is changed.

[0095] 3) There are few scheduling constraints. The UE's PDCCH can be scheduled on any CCE, so long as it does not map to the same PUCCH resource that another UE's CCE in a different CCE block maps to. Since one out of every

$cN_{sc}^{RB} / \Delta_{shift}^{PUCCH}$ that maps to a given PUCCH resource, and since each UE is semi-statically mapped to PUCCH PRBs, this should not impact the scheduler too much.

[0096] 4) ARI resource selection is unconstrained. Explicit resource pairs for each ARI state can be in different PRBs.

Signaling ARI Resource in Multiple PRBs

[0097] Yet another embodiment can be understood by referring to Figure 8 and the accompanying text below. In this embodiment, the ARI resource pairs are assigned to be in different PUCCH PRBs, but it can still be ensured that each pair is contained within one PRB. This will allow the implicit resource to be in different PRBs, and therefore allow UEs to be scheduled in more PDCCH CCE resources, since their UESS will more often map to implicit resource that is in the same PUCCH PRB as the ARI resource.

[0098] Figure 8 is an example of where 2 ARI bits are used to select among 4 PUCCH resource pairs, and 4 distinct PRBs are indicated. At subframe index k , at least one starting CCE index in the UESS is assumed to have a corresponding PUCCH resource in PRB#2.

[0099] This embodiment has the following benefits:

[00100] 1) There is significantly more scheduling flexibility than the case where the ARI PUCCH are in a single PRB (as is the situation in embodiment #3). Up to N times more CCE locations can be selected when N different PUCCH PRBs are addressed by ARI (i.e., 4 times more in this case).

[00101] 2) PUCCH resource is implicitly addressed using existing mechanisms from Rel-8 and Rel-10.

[00102] 3) The UESS need not be redefined.

[00103] 4) Simple mechanisms are used.

STRSD code RRC signaling robustness and efficiency

[00104] As described above in connection with PUCCH Resource Allocation for Channel Selection in Rel-10 Carrier Aggregation, the explicit resources signaled for ARI can be in the same PRB due to the structure of the resource allocation on PCell and SCell. Therefore, ARI resource allocation for all the embodiments above can be supported using Rel-10 signaling mechanisms. However, it may be desirable to reduce the RRC signaling overhead and to make it more error-proof by constraining the explicit resources to be in the same PRB.

[00105] In one embodiment (that is complementary to the above other disclosed embodiments), one of ways to achieve it is to only signal the first explicit PUCCH resource and to use the same rule that is used for the implicit signaling, where the two PUCCH resources are adjacent. This may be expressed as the following, and can be described in the context of the layer 1 (physical layer) specifications of LTE since the dependence of the second resource on the first is not configurable:

$$n_{PUCCH,i+j}^{(1)} = n_{PUCCH,i}^{(1)} + j \quad (3.)$$

where $n_{PUCCH,i}^{(1)}$ is the first explicit PUCCH resource, the integer $j > 0$, and $n_{PUCCH,i+j}^{(1)}$, is the j^{th} PUCCH resource determined from the first explicit PUCCH resource.

[00106] Note that with equation (3), the network should avoid signaling $n_{PUCCH,i}^{(1)}$ near the end of a PUCCH PRB, since $n_{PUCCH,i+j}^{(1)}$ may be in a different PUCCH PRB. If additional signaling robustness is desired, $n_{PUCCH,i+j}^{(1)}$ can be made to ‘wrap around’ to the beginning of a PUCCH PRB by using the following equation (used in Embodiment #3) instead:

$$n_{PUCCH,i+j}^{(1)} = (n_{CCE,i} + N_{PUCCH}^{(1)} + j) \bmod(C) + \lfloor N_{PUCCH}^{(1)} / C \rfloor \quad (4.)$$

[00107] Since PUCCH resource is addressed using 12 bits in Rel-10, this embodiment can save a significant percentage of the information used to configure PUCCH (the *PUCCH-Config* information elements). Perhaps more importantly, since STRSD requires the resources to be in the same PRB, this embodiment reduces

the fraction of resource combinations with more than one PRB (in equation 3) or completely eliminates them (in equation 4). Consequently, the signaling with this embodiment is much less error prone than the more general signaling in Rel-10. Taken from another point of view, while the general signaling that allows different PRBs is fine for Rel-10 mechanisms, and provides flexibility, for STRSD it is solely a misconfiguration.

Variable Resource STRSD

[00108] Yet another embodiment of the disclosure relates to properties of a variable resource STRSD. A time varying STRSD has the property that it requires that the UE be signaled 3 or 4 resources for 12 of the 16 Ack/Nack bit states, for 4 of the states, 3 resources need to be signaled, and for 4 of the states, 2 resources need to be signaled. If 2 resources are signaled on PCell and 2 are signaled on SCell, then if either PCell or SCell is missed, and the UE needs to transmit one of the 12 Ack/Nack bit states, it will only know 2 of the 3 or 4 resources it needs. If one selects the Ack/Nack bit mapping such that where SCell is missed (i.e. for $b_3, b_2, b_1, b_0 = 0000, 0001, 0010, \text{ and } 0011$), 2 resources are used and the Ack/Nack bit mapping is selected such that where PCell is missed (i.e. for $b_3, b_2, b_1, b_0 = 1100, 0100, \text{ and } 1000$), 3 resources are used, only one additional resource needs to be signaled. Furthermore, because 3 resources are needed when PCell is missed but only two resources are needed when SCell is missed, one only needs to transmit the additional resource on SCell to solve the problem of missing PCell or SCell. Therefore, in a first embodiment, ARI will indicate 3 resources while 2 resources are still implicitly allocated. However, this first embodiment of the code has the additional constraint that resources 1 and 3 should be in the same PRB. This can be accomplished by choosing the PDCCH of PCell such that resource 1 is in the same PRB as resource 3 (which is explicitly allocated on SCell). This scheduling constraint may not always be desirable. Therefore, in another embodiment shown in Table 8, 4 resources on SCell are shown, since the additional resource on SCell can be easily constrained to be in the same PRB as resource 3.

[00109] A modified code for variable resource STRSD based on time varying STRSD is shown in Table 8. It uses the Ack/Nack bit mapping as described in first

paragraph of this embodiment, and some slight modifications to time varying STRSD with respect to the resource usage. Since resources 0 and 1 are assumed to be transmitted from PCell in this embodiment, columns containing resource 1 and resource 2 were swapped. Also, data and/or reference signals are transmitted on resources 4 and 5 instead of resources 0 and 1 in the last 12 rows of the code. Note that the performance of this code may be as good or better than that of time varying STRSD, since additional coding gain can come from the use of additional resources. Furthermore, note that the explicit resource should be allocated such that resources 3 and 5 are in the same PUCCH RB, and resources 2 and 4 should also be in one PUCCH PRB (although resources 2 and 3 or 4 and 5 need not be in the same PUCCH PRBs). This ensures that when the reference signal and data are on different resources the data symbol and reference signal will be in the same PUCCH RB. Finally, it is noted that the implicitly signaled resources 0 and 1 need not be in the same PUCCH PRB as the explicitly signaled resources 2, 3, 4, and 5. This means that there is no scheduling constraint to align implicit and explicit PUCCH resource for this code.

Table 8 : Variable Resource STRSD code

A/N Bits				Slot#0												Slot#1											
				Antenna port#0						Antenna port#1						Antenna port#0						Antenna port#1					
b3	b2	b1	b0	C0	C1	C2	C3	C4	C5	C0	C1	C2	C3	C4	C5	C0	C1	C2	C3	C4	C5	C0	C1	C2	C3	C4	C5
0	0	0	0	s0,r							s2,r					s0,r							s2,r				
0	0	0	1	s1,r							s1,r					s1,r							s0,r				
0	0	1	0	s3,r							s3,r					s3,r							s3,r				
0	0	1	1	s2,r							s0,r					s2,r							s1,r				
1	1	0	0			r		s0					s2,r				r		s0						s2,r		
0	1	0	0			r		s1					s1,r				r		s1						s0,r		
1	0	0	0			r		s3					s3,r				r		s3							s3,r	
1	1	1	1			r		s2					s0,r				r		s2							s1,r	
1	1	1	0			s0,r							r		s2			s0		r					s2		r
1	0	0	1			s1,r							r		s1			s1		r					s0		r
1	0	1	0			s3,r							r		s3			s3		r					s3		r
1	0	1	1			s2,r							r		s0			s2		r					s1		r
1	1	0	1			s0		r					s2		r			s0,r							r		s2
0	1	0	1			s1		r					s1		r			s1,r							r		s0
1	1	1	0			s3		r					s3		r			s3,r							r		s3
0	1	1	1			s2		r					s0		r			s2,r							r		s1

[00110] If six distinct resources are signaled, then the code operates as above, and 6 resources are used by the UE to signal Ack/Nack. If implicit signaling indicates the same PUCCH resource for resource 0 as the PUCCH resource for resource 4 and from explicit signaling, as well as the same PUCCH resource for resource 1 as the PUCCH resource for resource 5 and

from explicit signaling, then the code falls back to the same basic structure as time varying STRSD, as is shown in Table 9. Since there are no distinct 5th and 6th PUCCH resources, this is shown in the table by moving all transmission from resources 4 and 5 to resources 0 and 1, respectively. Therefore, it can be seen that only 4 resources are used for the UE's Ack/Nack transmissions. Note that since resources 2 and 4 as well as 3 and 5 are signaled to be in the same PUCCH RBs, when the implicit resource indicates the same resource for resources 0 and 4, and for resources 1 and 5, resource 0 will be in the same PUCCH PRB as resource 2 and resource 1 will be in the same PUCCH PRB as resource 3.

Table 9 : Time varying STRSD with reordered PUCCH resource

A/N Bits				Slot#0												Slot#1											
				Antenna port#0						Antenna port#1						Antenna port#0						Antenna port#1					
b3	b2	b1	b0	C0	C1	C2	C3	C4	C5	C0	C1	C2	C3	C4	C5	C0	C1	C2	C3	C4	C5	C0	C1	C2	C3	C4	C5
0	0	0	0	s0,r							s2,r					s0,r						s2,r					
0	0	0	1	s1,r							s1,r					s1,r						s0,r					
0	0	1	0	s3,r							s3,r					s3,r						s3,r					
0	0	1	1	s2,r							s0,r					s2,r						s1,r					
1	1	0	0	s0		r						s2,r				s0		r					s2,r				
0	1	0	0	s1		r						s1,r				s1		r					s0,r				
1	0	0	0	s3		r						s3,r				s3		r					s3,r				
1	1	1	1	s2		r						s0,r				s2		r					s1,r				
1	1	1	0			s0,r					s2		r			r		s0				r		s2			
1	0	0	1			s1,r					s1		r			r		s1				r		s0			
1	0	1	0			s3,r					s3		r			r		s3				r		s3			
1	0	1	1			s2,r					s0		r			r		s2				r		s1			
1	1	0	1	r		s0					r		s2				s0,r					s2		r			
0	1	0	1	r		s1					r		s1				s1,r					s0		r			
1	1	1	0	r		s3					r		s3				s3,r					s3		r			
0	1	1	1	r		s2					r		s0				s2,r					s1		r			

[00111] Since resources 0 and 1 are implicitly signaled in this embodiment, they may use adjacent PUCCH resource when Rel-10 resource signaling is used. That is, the resources in this case may be determined as: $n_{PUCCH,1}^{(1)} = n_{PUCCH,0}^{(1)} + 1 = n_{CCE,0} + 1 + N_{PUCCH}^{(1)}$, where $n_{PUCCH,0}^{(1)}$ and $n_{PUCCH,1}^{(1)}$ are the PUCCH resource indices for resource 0 and resource 1 respectively, $n_{CCE,0}$ is the index of the first control channel element for the UE's grant on PCell PDCCH, and $N_{PUCCH}^{(1)}$ is defined in section 5.4 of Reference 2. Because they are adjacent, in this case where both resources 0 and 1 are signaled to be the same as explicit resources, explicit resources 2 and 3 will

also therefore be configured to be adjacent. Those of skill in the art will appreciate that the network should not signal the same PUCCH resource for resources 0, 4, and 5 in this embodiment to avoid degradation in performance of the code.

Table 10 : Variable Resource STRSD with identical resources 0, 4, and 5

A/N Bits				Slot#0												Slot#1											
				Antenna port#0						Antenna port#1						Antenna port#0						Antenna port#1					
b3	b2	b1	b0	C0	C1	C2	C3	C4	C5	C0	C1	C2	C3	C4	C5	C0	C1	C2	C3	C4	C5	C0	C1	C2	C3	C4	C5
0	0	0	0	s0,r							s2,r					s0,r						s2,r					
0	0	0	1	s1,r							s1,r					s1,r						s0,r					
0	0	1	0	s3,r							s3,r					s3,r						s3,r					
0	0	1	1	s2,r							s0,r					s2,r						s1,r					
1	1	0	0	s0		r						s2,r				s0		r					s2,r				
0	1	0	0	s1		r						s1,r				s1		r					s0,r				
1	0	0	0	s3		r						s3,r				s3		r					s3,r				
1	1	1	1	s2		r						s0,r				s2		r					s1,r				
1	1	1	0			s0,r					s2		r			r		s0				r		s2			
1	0	0	1			s1,r					s1		r			r		s1				r		s0			
1	0	1	0			s3,r					s3		r			r		s3				r		s3			
1	0	1	1			s2,r					s0		r			r		s2				r		s1			
1	1	0	1	r		s0					r		s2				s0,r				s2		r				
0	1	0	1	r		s1					r		s1				s1,r				s0		r				
1	1	1	0	r		s3					r		s3				s3,r				s3		r				
0	1	1	1	r		s2					r		s0				s2,r				s1		r				

[00112] The scheduling constraints to set the implicitly allocated resources to be the same as the explicitly allocated resources can be significant. Embodiment 3 may be used to loosen some of the constraints. If PUCCH resource allocation is modified to use Equations 1 and 2 described above, then there may be a factor of m times more locations in which each UE can be scheduled, since there are m CCE blocks that alias to the same set of PUCCH resources.

[00113] Furthermore, note that it is possible to signal extra resources using implicit signaling as well. PUCCH resource indices for resources 2, 3, 4, and 5 could be implicitly signaled as

$$n_{PUCCH,i}^{(1)} = n_{CCE,i} + i + N_{PUCCH}^{(1)}, \text{ where } i \in \{2,3,4,5\} \text{ is the resource number.}$$

[00114] This embodiment has the following benefits:

[00115] 1) Since the structure is that of time varying STRSD, it is expected to have similar performance advantages over Embodiment #1 to that of time varying STRSD as shown in Table 3.

[00116] 2) The eNB can dynamically choose to use 4, 5, or 6 resources per UE, depending on if it aligns the implicitly or explicitly scheduled resources or not. This allows a tradeoff of scheduler complexity and link performance for spectral efficiency.

[00117] 3) When 6 resources are used, the data and reference signal resources may be easily configured to be in the same PRB. This is because only resources 2 and 4 or 3 and 5 may have data and reference signals on different resources, and these resources are signaled from one cell (SCell).

[00118] 4) PUCCH resource may be implicitly addressed using existing mechanisms from Rel-8 and Rel-10, especially when 6 resources are signaled.

[00119] Although the described exemplary embodiments disclosed herein are described with reference to managing hidden node interference, the present disclosure is not necessarily limited to the example embodiments which illustrate inventive aspects of the present disclosure that are applicable to a wide variety of authentication algorithms. Thus, the particular embodiments disclosed above are illustrative only and should not be taken as limitations upon the present disclosure, as the embodiments may be modified and practiced in different but equivalent manners apparent to those skilled in the art having the benefit of the teachings herein.

Accordingly, the foregoing description is not intended to limit the disclosure to the particular form set forth, but on the contrary, is intended to cover such alternatives, modifications and equivalents as may be included within the scope of the disclosure as defined by the appended claims so that those skilled in the art should understand that they can make various changes, substitutions and alterations without departing from the scope of the disclosure in its broadest form.

Appendix**Abbreviations & Terminology**

Acronym	Full text	Brief Description
Ack	Acknowledgement	
ARI	Ack/Nack Resource Indicator	
CC	Component Carrier	
DFT	Discrete Fourier Transform	
DL	DownLink	
eNB	E_UTRAN Node B	
FDD	Frequency Division Duplex	
FEC	Forward Error Correction	
HARQ	Hybrid Automatic Repeat Request	
IDFT	Inverse Discrete Fourier Transform	
LTE	Long Term Evolution	
LTE-A	LTE-Advanced	
Nack	Negative Acknowledgement	
PCC	Primary Component Carrier	Also known as a 'primary cell' or 'PCell'
PRB	Physical Resource Block	
PUCCH	Physical Uplink Control Channel	
PUSCH	Physical Uplink Shared Channel	
RB	Resource Block	
SCC	Secondary Component Carrier	Also known as a 'secondary cell' or 'SCell'
SNR	Signal to Noise Ratio	
STRSD	Space Time Resource Selection Diversity	
TDD	Time Division Duplex	
UE	User Equipment	
UESS	UE specific search space	
UL	UpLink	

WHAT IS CLAIMED IS:

1. A method of allocating orthogonal resources of a wireless communication network to a user equipment (UE) that uses transmit diversity, wherein the UE is configured to transmit a reference symbol and a modulated symbol on multiple orthogonal resources on an antenna, the method comprising:

selecting, by the UE, a first and a second orthogonal resource, respectively, from a plurality of orthogonal resources according to the state of information bits to be communicated by the UE;

transmitting, by the UE, the reference and data symbols on the first and the second orthogonal resource, respectively, on one antenna;

wherein the first and the second resource are different for at least one of the states of the information bits;

wherein the first and the second resource are both in the same physical resource block.

2. The method of claim 1, wherein:

the plurality of orthogonal resources includes a first set of orthogonal resources and a second set of orthogonal resources;

wherein, for each combination of information bits, selecting the first and the second orthogonal resource comprises selecting the first and the second orthogonal resources from only one of the first set of orthogonal resources and the second set of orthogonal resources.

3. The method of claim 1, further comprising:

receiving, by the UE, an indication of a first set of orthogonal resources; and

receiving, by the UE, a downlink control channel;

wherein:

the plurality of orthogonal resources includes a set of mapped orthogonal resources and the first set of orthogonal resources;

the downlink control channel occupies a control channel element; and
the set of mapped orthogonal resources is determined in response to the
downlink channel occupying the control channel element.

- 5 4. The method of claim 1, further comprising:
 signaling a second plurality of orthogonal resources;
 transmitting a resource indication in a control channel message,
 wherein the resource indication selects at least one candidate orthogonal resource
 from the second plurality of orthogonal resources; and
10 wherein the at least one candidate resource is one of the plurality of orthogonal
 resources.
5. The method of claim 1, wherein the plurality of orthogonal resources includes a first set
of orthogonal resources and a second set of orthogonal resources;
15 wherein each orthogonal resource in the first set of orthogonal resources is
 different from the orthogonal resources in the second set of orthogonal resources;
 wherein transmitting the reference and data symbols comprises transmitting the
 reference and data symbols on the first set of orthogonal resources for information bit
 states that indicate that a downlink control channel associated with the second set of
20 orthogonal resources has not been received; and
 wherein transmitting the reference and data symbols comprises transmitting the
 reference and data symbols on the second set of orthogonal resources for information bit
 states that indicate that the indication containing the first set of orthogonal resources may
 not have been received.
- 25
6. A method of determining allocated orthogonal resources in a user equipment (UE) that is
configured to use transmit diversity, wherein the UE is configured to transmit a reference
symbol and a modulated symbol on multiple orthogonal resources on an antenna, the
method comprising:
30 receiving, by the UE, signaling containing a first set of orthogonal resource
 indices;

selecting, by the UE, a first and a second orthogonal resource, respectively, from a plurality of orthogonal resources according to the state of information bits to be communicated by the UE;

transmitting, by the UE, the reference and data symbols on the first and the second orthogonal resource, respectively, on one antenna;

transmitting, by the UE, the reference symbol and the data symbol on different orthogonal resources for at least one of the states of the information bits;

transmitting, by the UE, the reference symbol and the data symbol in the same physical resource block; and

determining, by the UE, an orthogonal resource of the plurality of orthogonal resources by adding a predetermined offset to an orthogonal resource index of the first set of orthogonal resource indices.

7. A user equipment (UE) device using transmit diversity, wherein the UE device is configured to transmit a reference symbol and a modulated symbol on multiple orthogonal resources on an antenna, the UE device comprising:

processing logic configured to:

select a first and a second orthogonal resource, respectively, from a plurality of orthogonal resources according to the state of information bits to be communicated by the UE device;

transmit the reference and data symbols on the first and the second orthogonal resources, respectively, on one antenna;

wherein the first and the second resource are different for at least one of the states of the information bits;

wherein the first and the second resource are both in the same physical resource block.

8. The device of claim 7, wherein said processing logic is further configured to:

receive and process a first set of orthogonal resource indices, wherein:

the plurality of orthogonal resource indices includes a first set of orthogonal resource indices and a second set of orthogonal resource indices; and

wherein for each combination of information bits, the UE device selects the first and the second orthogonal resources from those indexed by only one of the first set of orthogonal resource indices and the second set of orthogonal resource indices.

5

9. The device of claim 7, wherein said processing logic is further configured to:
 receive and process a first set of orthogonal resource indices, wherein the first set of orthogonal resource indices corresponds to a first set orthogonal resources; and
 receive and process a downlink control channel intended for the UE device,
 wherein:

10

the plurality of orthogonal resources includes a set of mapped orthogonal resources and the first set of orthogonal resources;

the downlink control channel for the UE device occupies a control channel element; and

15

the set of mapped orthogonal resources is determined in response to the downlink channel occupying the control channel element.

10. The device of claim 7, wherein:

20

the plurality of orthogonal resources includes a first set of orthogonal resources and a second set of orthogonal resources;

each orthogonal resource in the first set of orthogonal resources is different from the orthogonal resources in the second set of orthogonal resources;

25

the UE device transmits on the first set of orthogonal resources for information bit states that indicate that a downlink control channel associated with the second set of orthogonal resources may not have been received;

the UE device transmits on the second set of orthogonal resources for information bit states that indicate that an indication containing the first set of orthogonal resources may not have been received.

11. A user equipment (UE) device using transmit diversity, wherein the UE device is configured to transmit a reference symbol and a modulated symbol on multiple orthogonal resources on an antenna, the device comprising:

processing logic configured to:

- 5 receive signaling comprising a first set of orthogonal resource indices;
 select a first and a second orthogonal resource, respectively, from a plurality of orthogonal resources according to the state of information bits to be communicated by the UE device;
- 10 transmit the reference and data symbols on the first and the second orthogonal resource, respectively, on one antenna;
- transmit the reference symbol and the data symbol on different orthogonal resources for at least one of the states of the information bits;
- transmit the reference symbol and the data symbol in the same physical resource block; and
- 15 determine an orthogonal resource of the plurality of orthogonal resources by adding a predetermined offset to an orthogonal resource index of the first set of orthogonal resource indices.

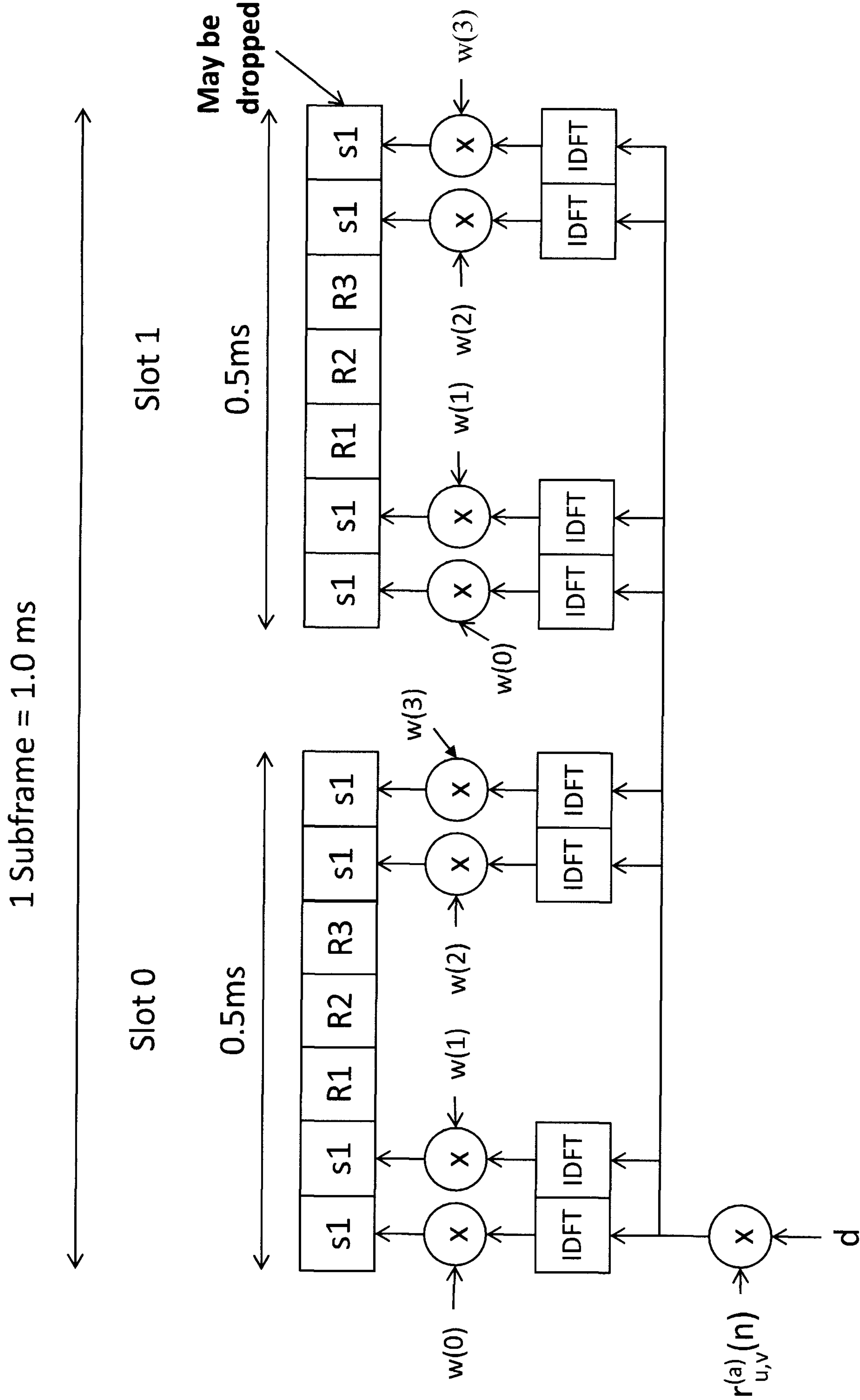


Figure 1 (prior art)

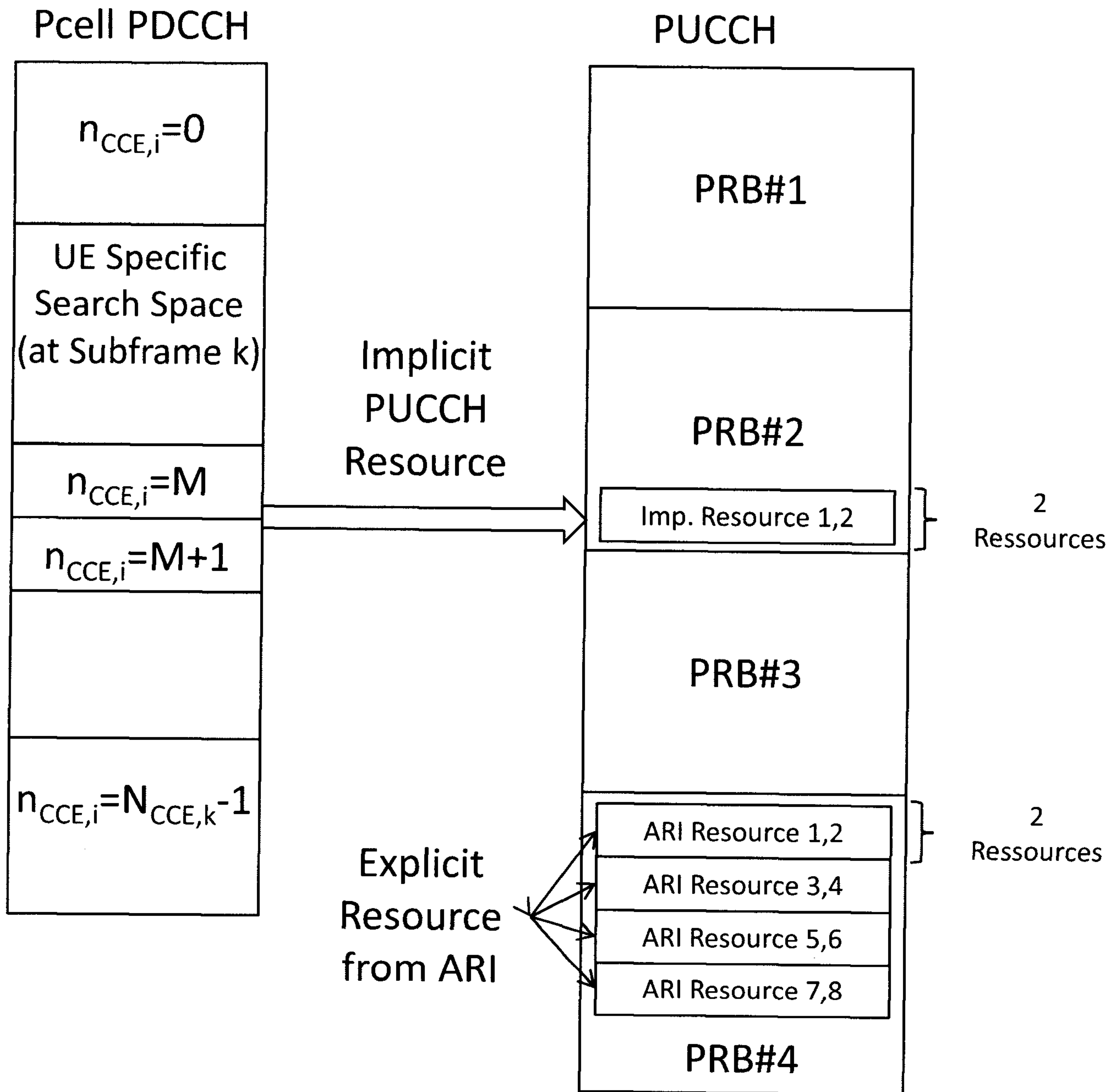


Figure 2 (prior art)

40730-WO-PCT
1/9

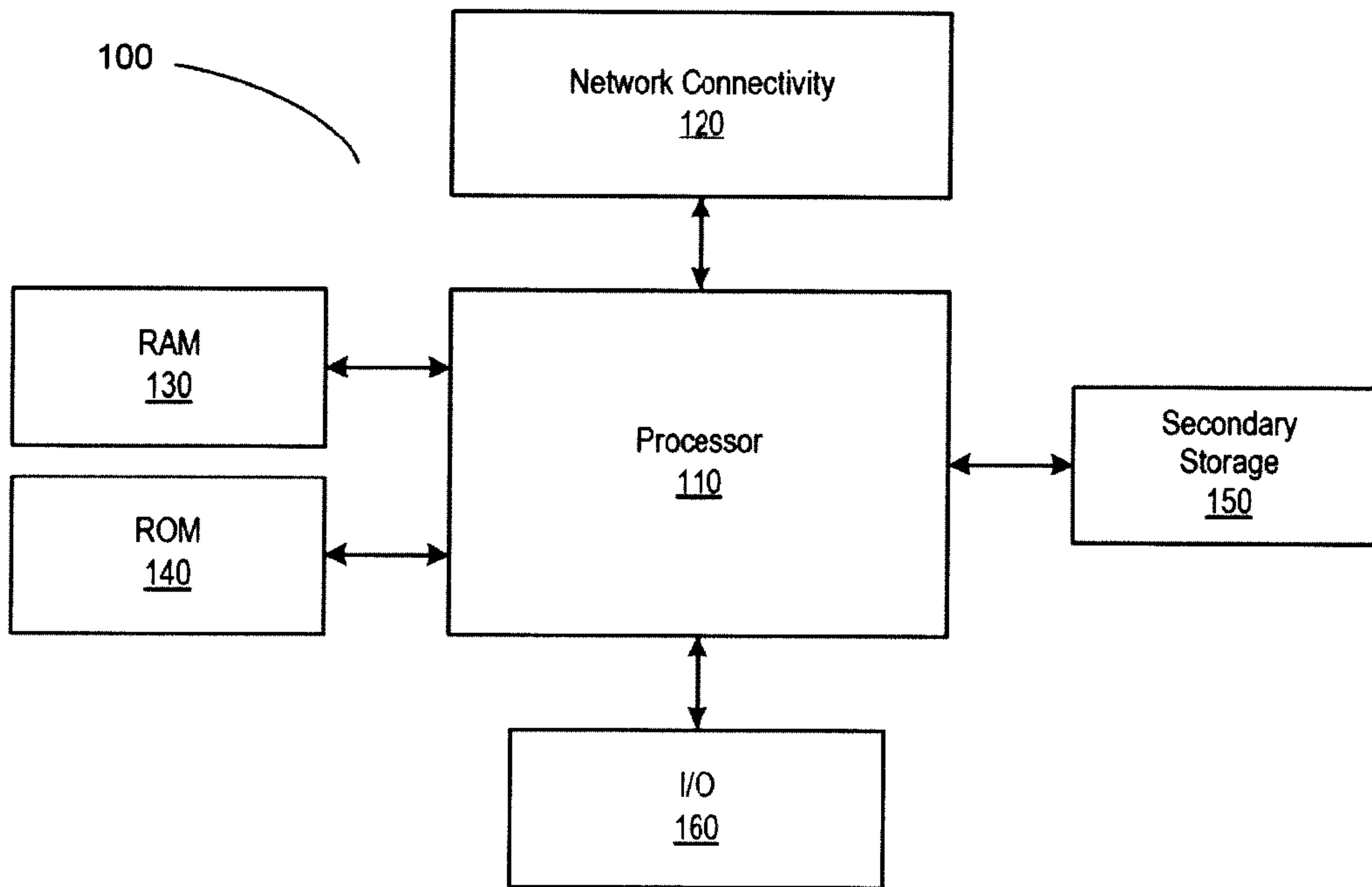


FIGURE 3

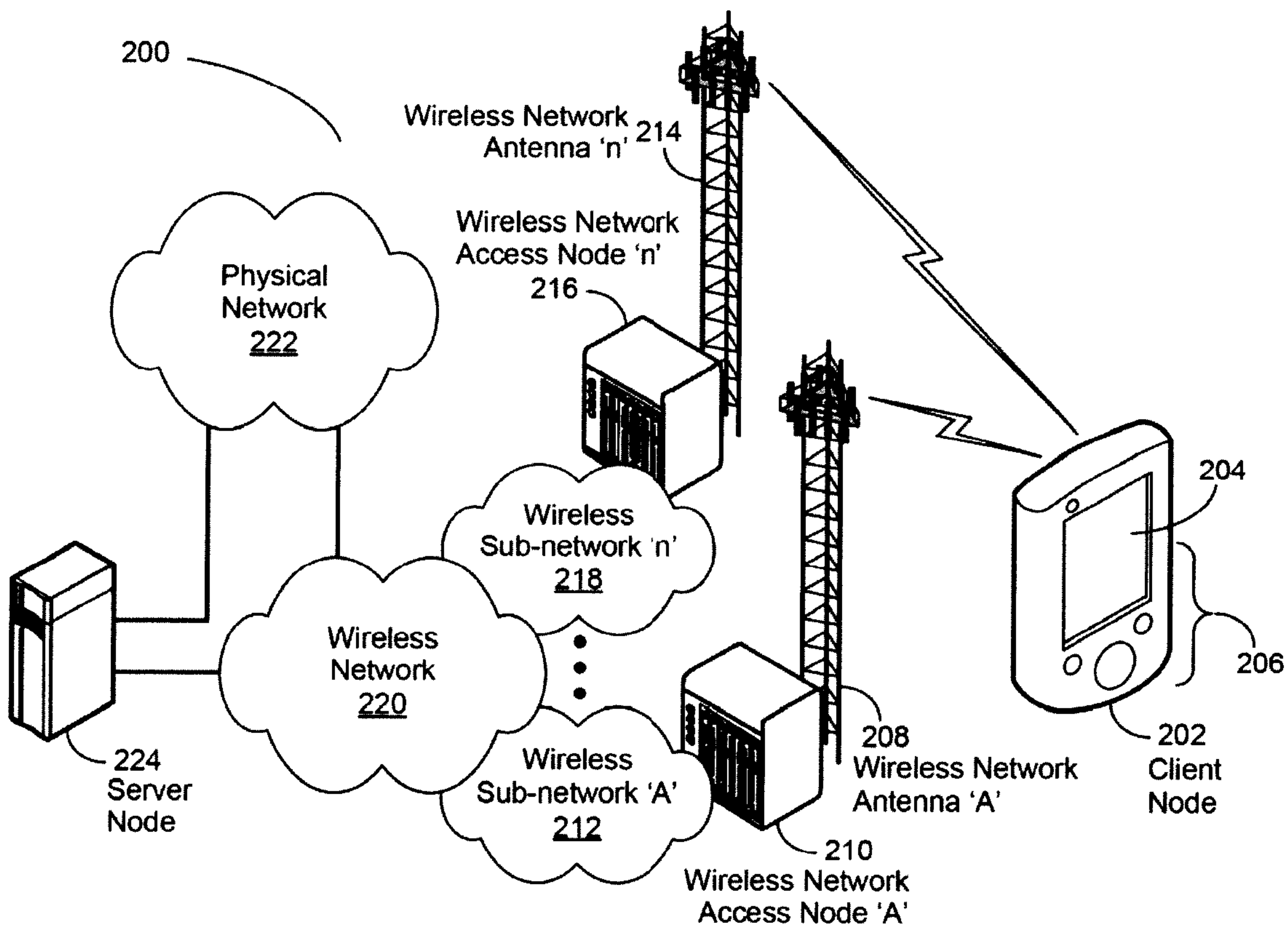


FIGURE 4

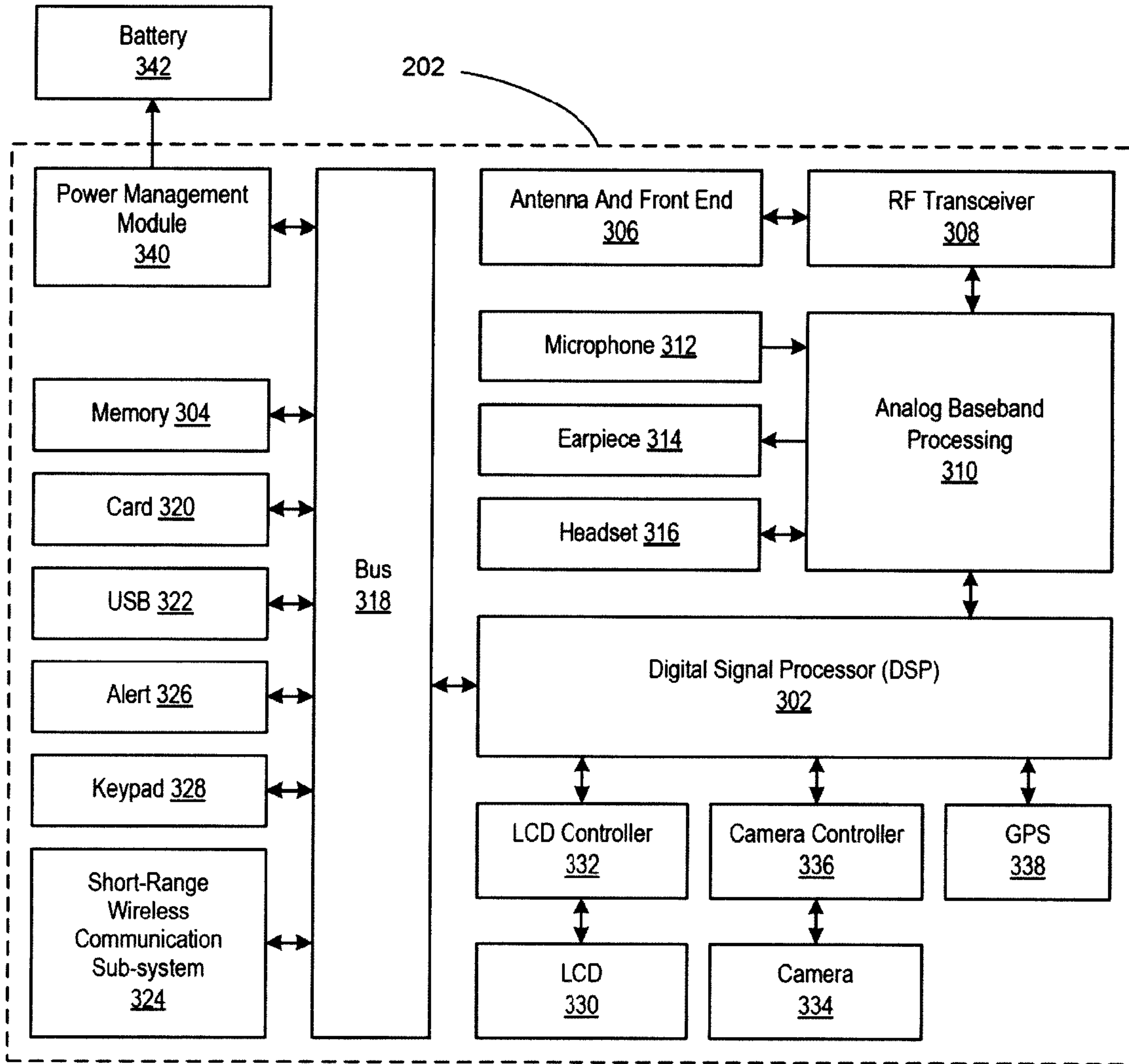


FIGURE 5

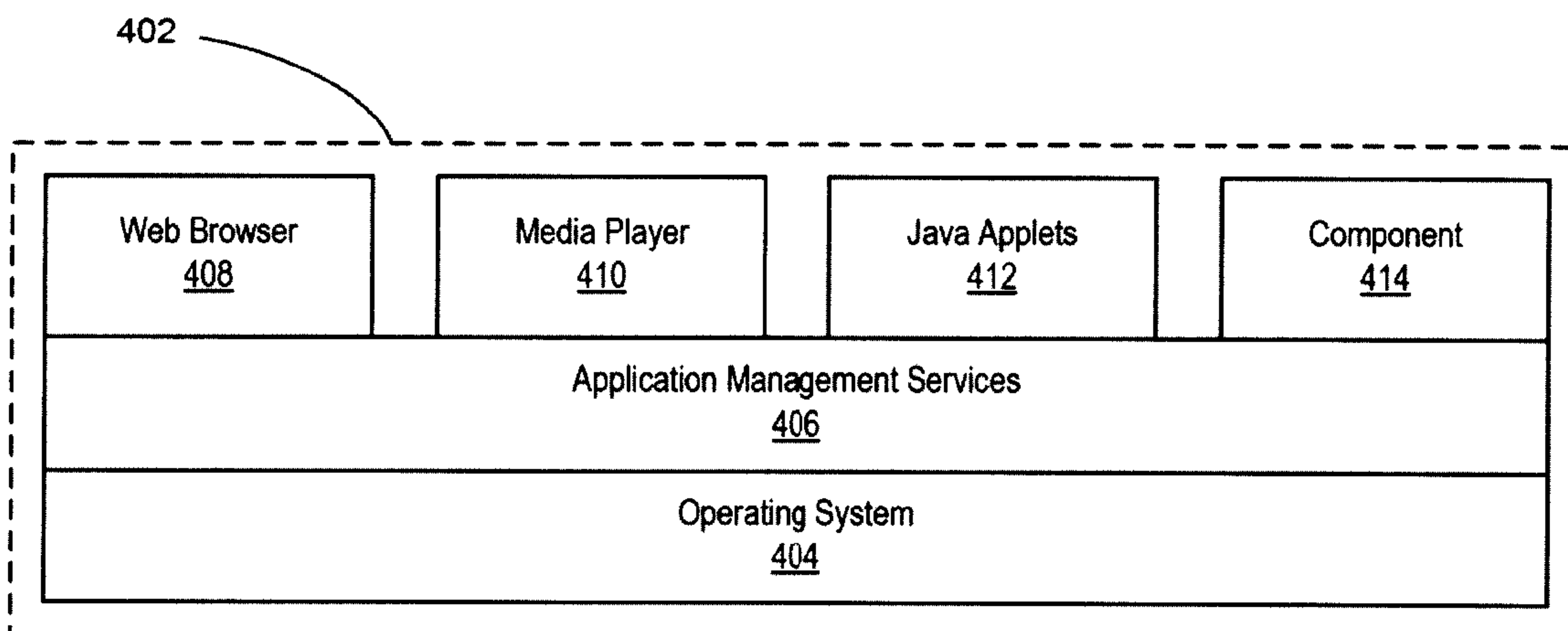


FIGURE 6

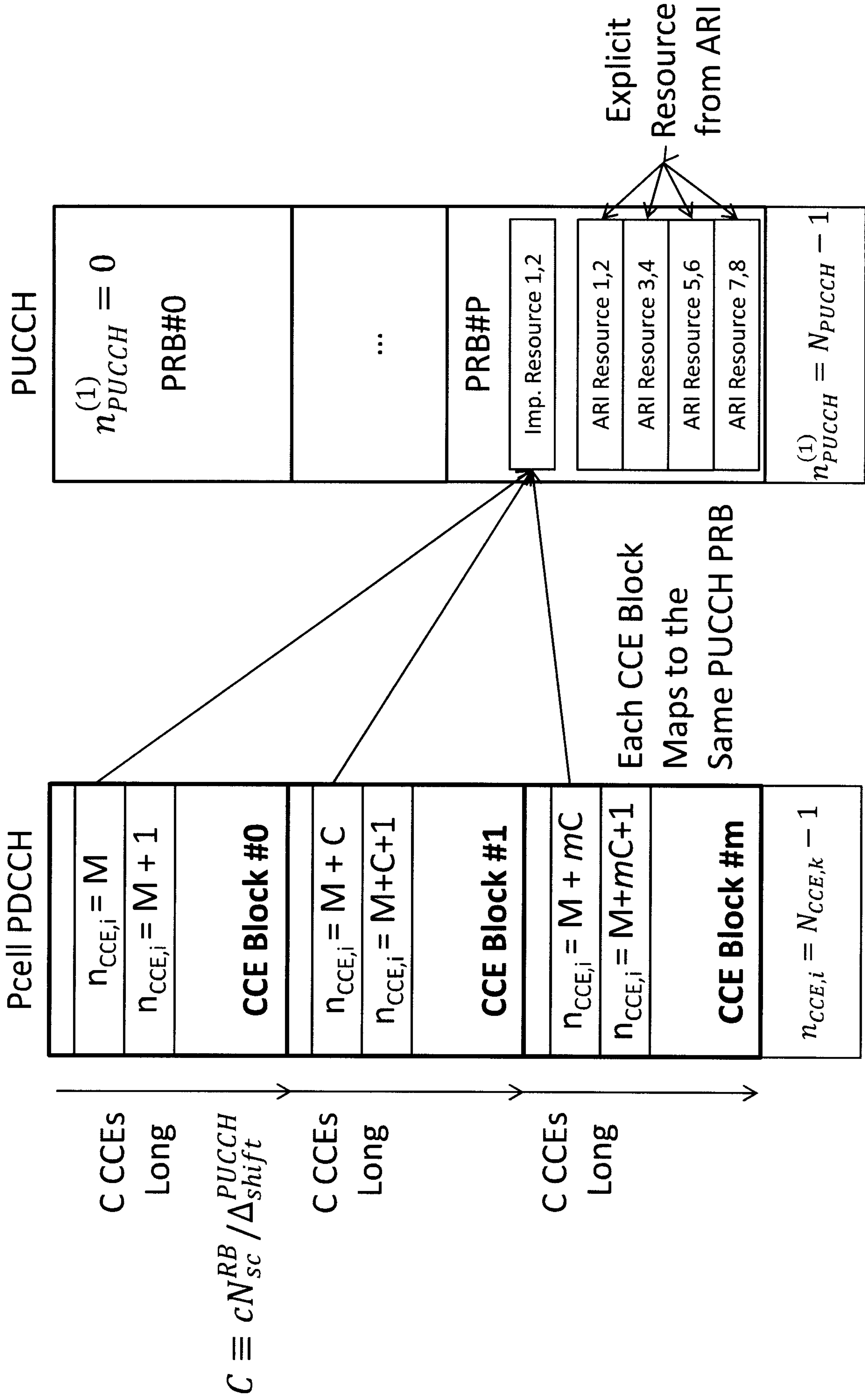


Figure 7

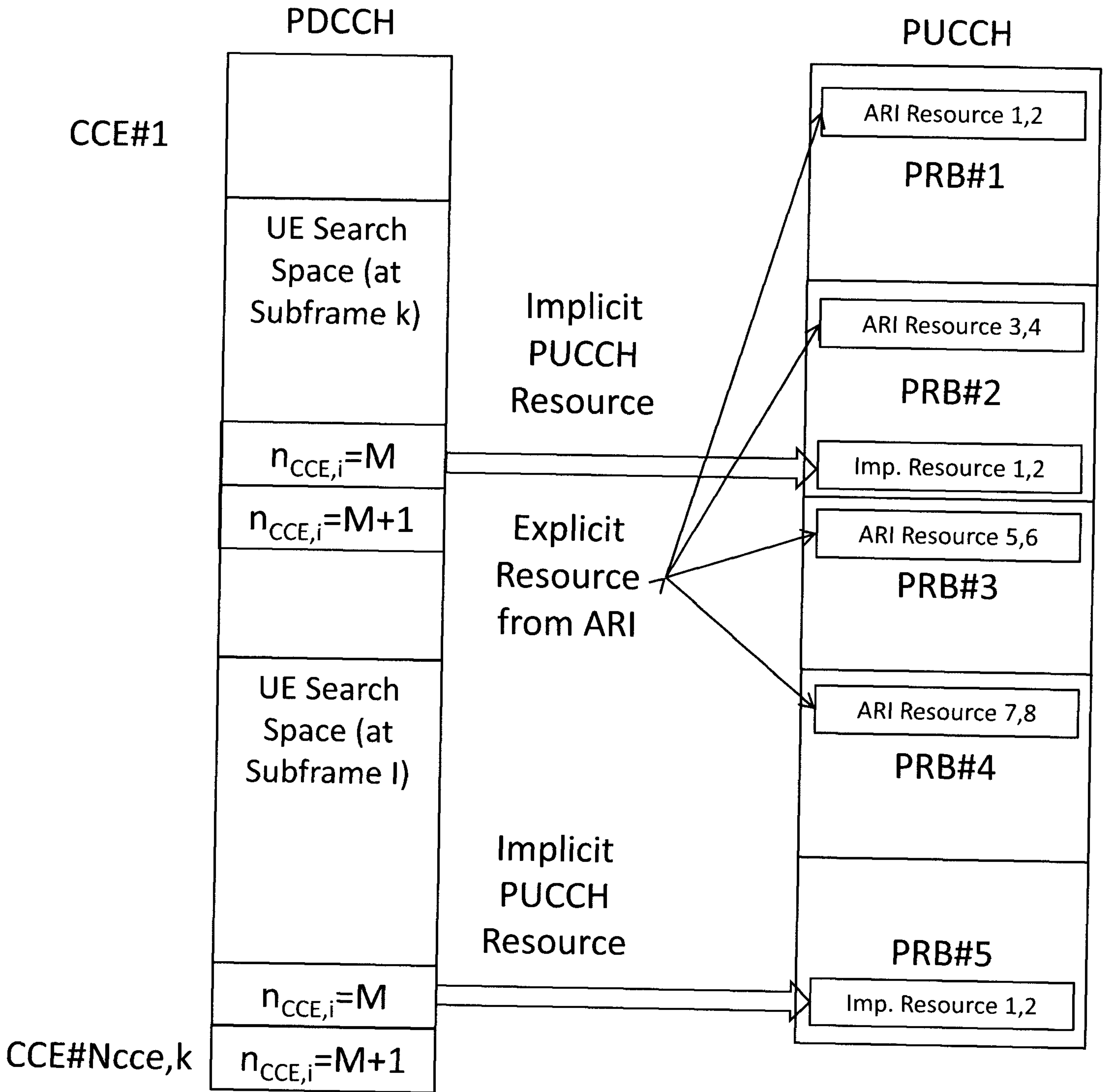


Figure 8

