



US0D1048746S

(12) **United States Design Patent**  
**Sun**

(10) **Patent No.:** **US D1,048,746 S**

(45) **Date of Patent:** **\*\* Oct. 29, 2024**

(54) **CHAIR**

*Primary Examiner* — Paul D Bohannon

(71) Applicant: **Ningbo Yousun Imp. and Exp. Co., Ltd**, Ningbo (CN)

(74) *Attorney, Agent, or Firm* — Jose Cherson Weissbrot

(72) Inventor: **Yizhu Sun**, Ningbo (CN)

(57) **CLAIM**

(73) Assignee: **Ningbo Yousun Imp. and Exp. Co., Ltd**

The ornamental design for a chair, as shown and described.

(\*\*) Term: **15 Years**

**DESCRIPTION**

(21) Appl. No.: **29/944,170**

(22) Filed: **May 27, 2024**

(51) **LOC (14) Cl.** ..... **06-01**

(52) **U.S. Cl.** ..... **D6/368**

(58) **Field of Classification Search**

USPC ..... D6/333, 336, 352, 356, 362, 366, 368  
CPC ..... B63B 2029/043; B60N 2/60; A47C 1/14;  
A47C 1/16; A47C 1/146; A47C 4/02;  
A47C 4/03; A47C 4/30; A47C 4/42;  
A47C 4/52; A47C 4/283; A47C 5/10;  
A47C 7/021; A47C 4/028; A47C 4/04;  
A47C 7/407; A47C 7/543

See application file for complete search history.

FIG. 1 is a front, right, top perspective view of a chair, showing my new design;

FIG. 2 is a rear, left, bottom perspective view thereof;

FIG. 3 is a rear, left, top perspective view thereof;

FIG. 4 is a front elevational view thereof;

FIG. 5 is a rear elevational view thereof;

FIG. 6 is a left side view of the enlarged scale thereof;

FIG. 7 is a right side view of the enlarged scale thereof;

FIG. 8 is a top plan view thereof;

FIG. 9 is a bottom plan view thereof;

FIG. 10 is an enlarged view of detail 10 in FIG. 1;

FIG. 11 is an enlarged view of detail 11 in FIG. 1;

FIG. 12 is an enlarged view of detail 12 in FIG. 2;

FIG. 13 is an enlarged view of detail 13 in FIG. 2;

FIG. 14 is an enlarged view of detail 14 in FIG. 3;

FIG. 15 is an enlarged view of detail 15 in FIG. 4;

FIG. 16 is an enlarged view of detail 16 in FIG. 5;

FIG. 17 is an enlarged view of detail 17 in FIG. 6;

FIG. 18 is an enlarged view of detail 18 in FIG. 6;

FIG. 19 is an enlarged view of detail 19 in FIG. 8; and,

FIG. 20 is an enlarged view of detail 20 in FIG. 9.

The dashed broken lines in the figures are for the purposes of illustrating portions of the chair and form no part of the claimed design.

The short-short-long dashed broken lines immediately adjacent to the claimed areas in the views represent the boundaries of the design and form no part of the claimed design.

The dash-dot-dash broken lines are for notating enlarged views and form no part of the claimed design.

(56) **References Cited**

**U.S. PATENT DOCUMENTS**

D121,266 S *	7/1940	Archer	.....	297/352
D252,658 S *	8/1979	Kressin	.....	D6/368
D372,804 S *	8/1996	McNamara	.....	D6/368
D468,548 S *	1/2003	Head, Jr.	.....	D6/368

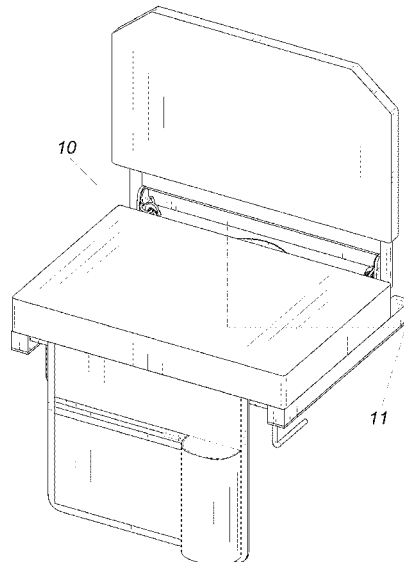
(Continued)

**OTHER PUBLICATIONS**

“Dragosum Stadium Seats . . .” Mar. 1, 2024, amazon.com, site visited Aug. 23, 2024 <<https://www.amazon.com/Dragosum-Bleacher-Shoulder-Upholstered-Portable/dp/B0CW5VLYHJ>> (Year: 2024).\*

(Continued)

**1 Claim, 19 Drawing Sheets**



(56)

**References Cited**

U.S. PATENT DOCUMENTS

D632,502	S	2/2011	Gillespie	
D693,619	S	11/2013	Barth	
D773,841	S	12/2016	Lyles	
D802,317	S	11/2017	Head, Jr.	
D814,820	S *	4/2018	Meoli, Jr.	D6/368
D856,693	S	8/2019	Shlomay	
D891,135	S *	7/2020	Chen	D6/362
D954,455	S *	6/2022	Wu	D6/368
D955,130	S *	6/2022	Wang	D6/368
11,369,200	B2 *	6/2022	Sun	A47C 7/543
D956,440	S *	7/2022	Chen	D6/368
D971,625	S *	12/2022	Wu	D6/368
D981,123	S *	3/2023	Zhuang	D6/362
D981,740	S *	3/2023	Li	D6/362
D990,897	S *	7/2023	Zhang	D6/333
D1,000,146	S *	10/2023	Wang	D6/362
D1,018,099	S *	3/2024	Tang	D6/368
D1,020,342	S *	4/2024	Wood	D6/716
D1,025,630	S *	5/2024	Zhuang	D6/362
2005/0035639	A1 *	2/2005	Jones	A47C 1/16 297/352
2007/0236055	A1 *	10/2007	Gausman	A47C 1/146 297/129

OTHER PUBLICATIONS

“Jauntis Stadium Seating . . . ” Aug. 9, 2023, amazon.com, site visited Aug. 23, 2024 <<https://www.amazon.com/Jauntis-Bleachers-Bleacher-Portable-Shoulder/dp/B0C7G75CWF?th=1>> (Year: 2023).\*

\* cited by examiner

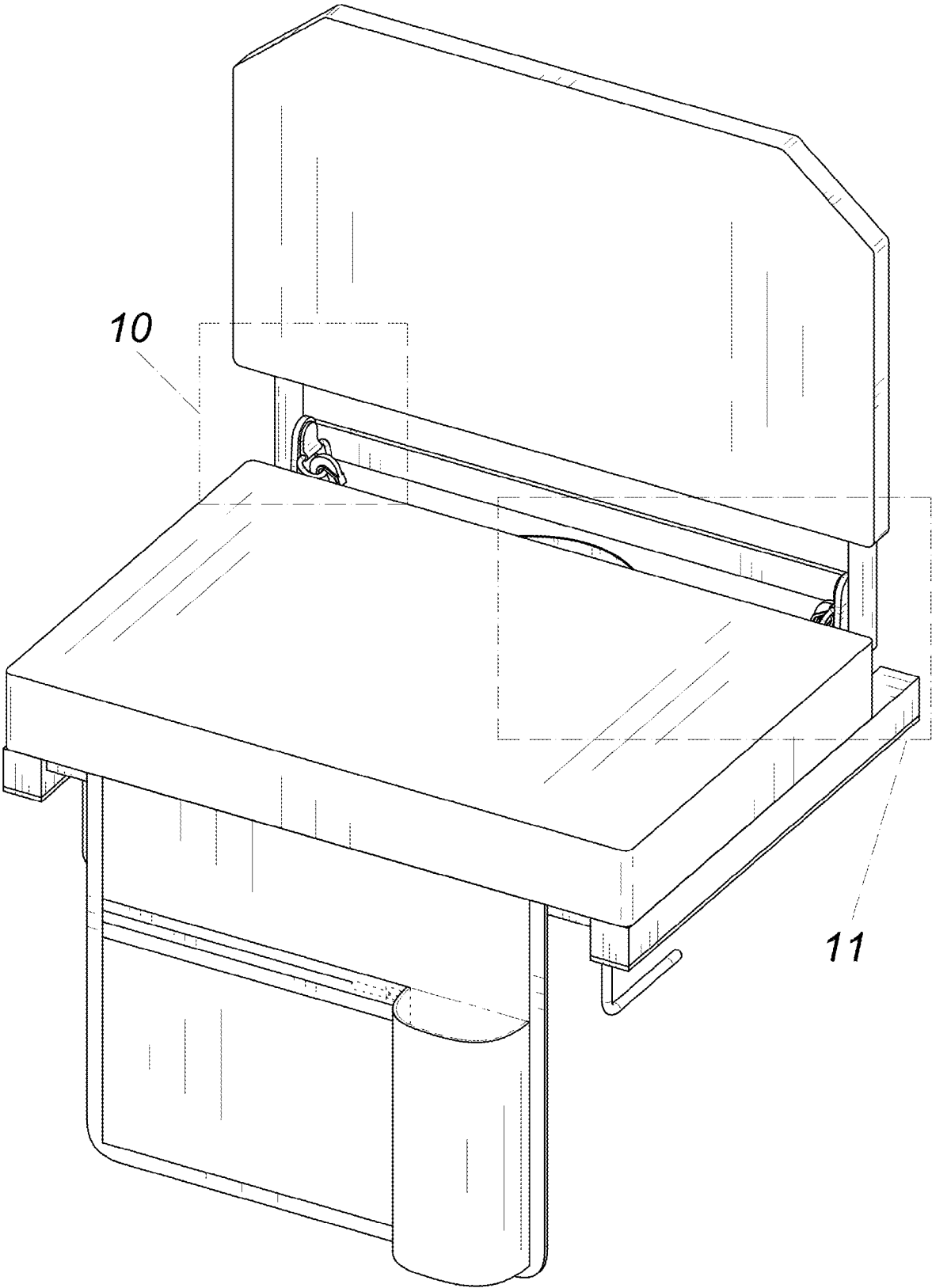


FIG. 1

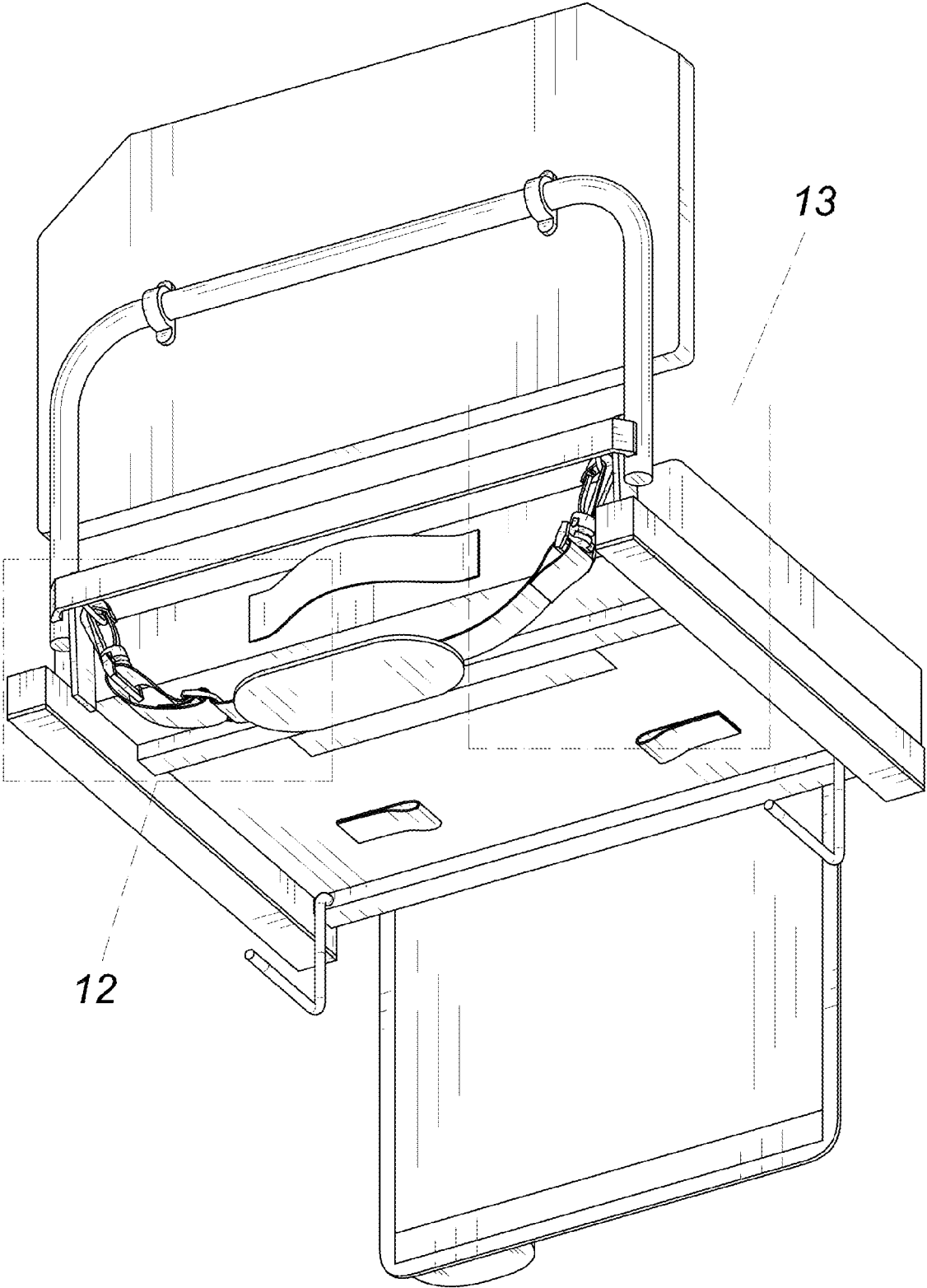
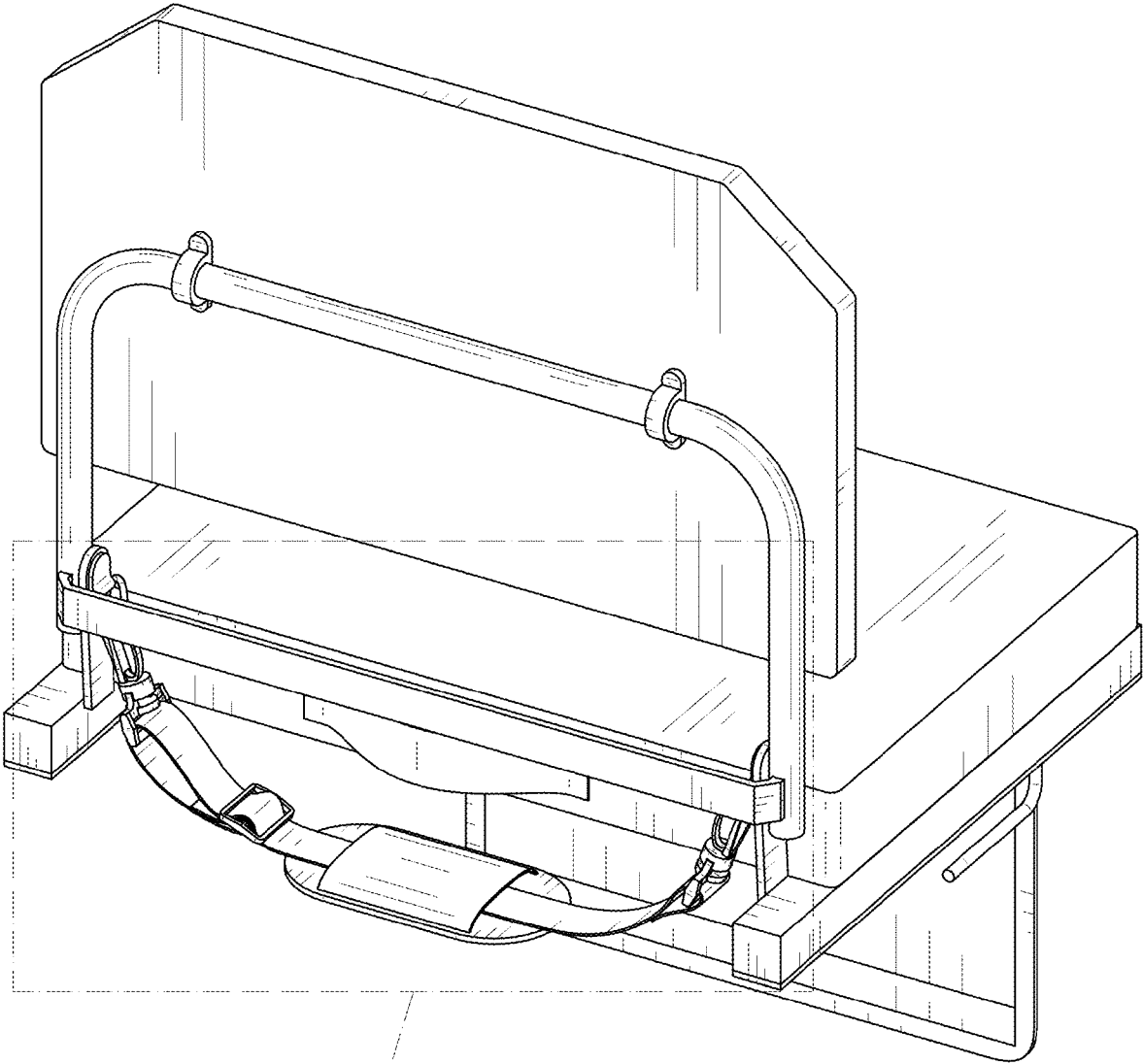


FIG. 2



14

FIG.3

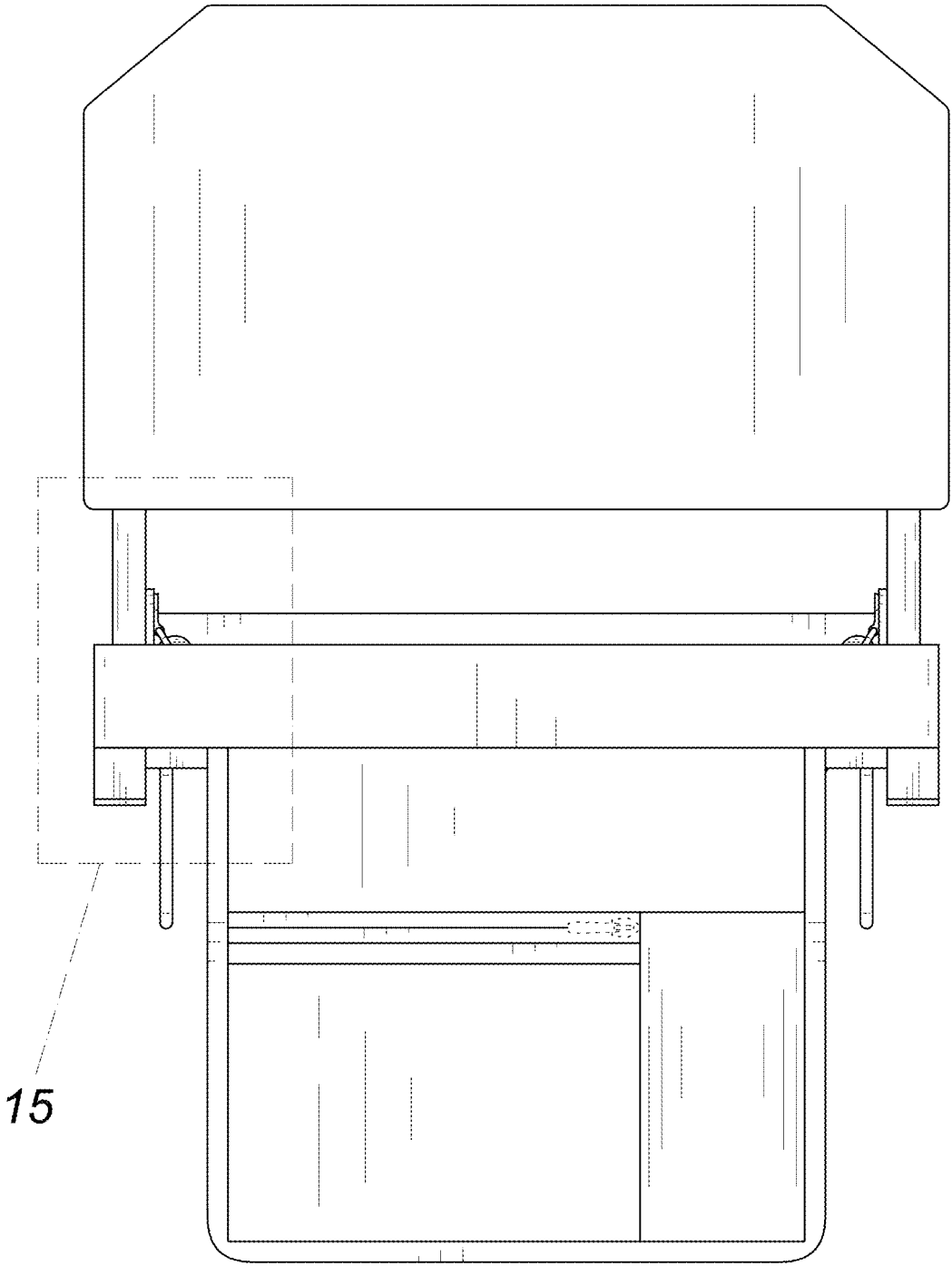


FIG. 4

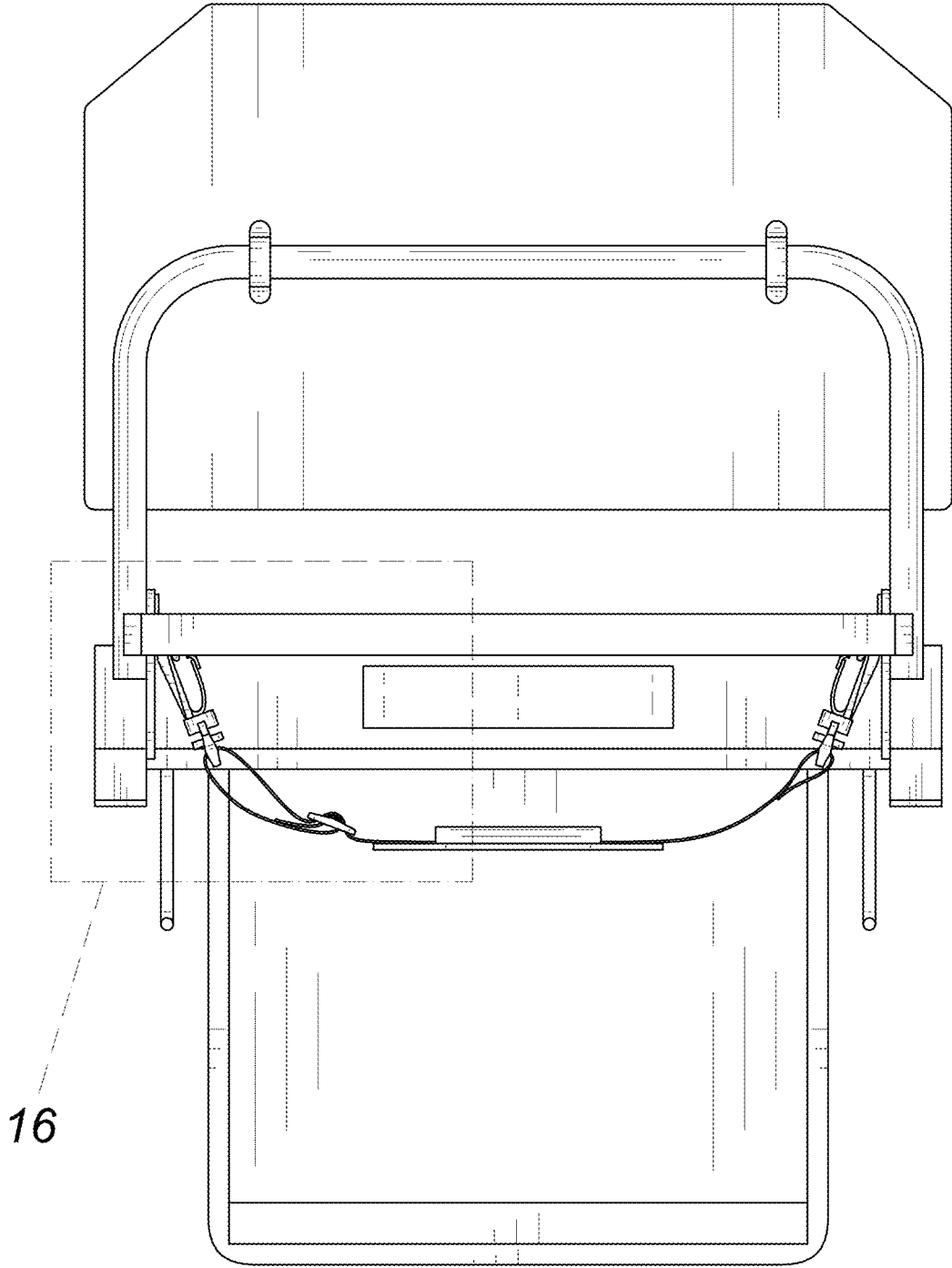


FIG. 5

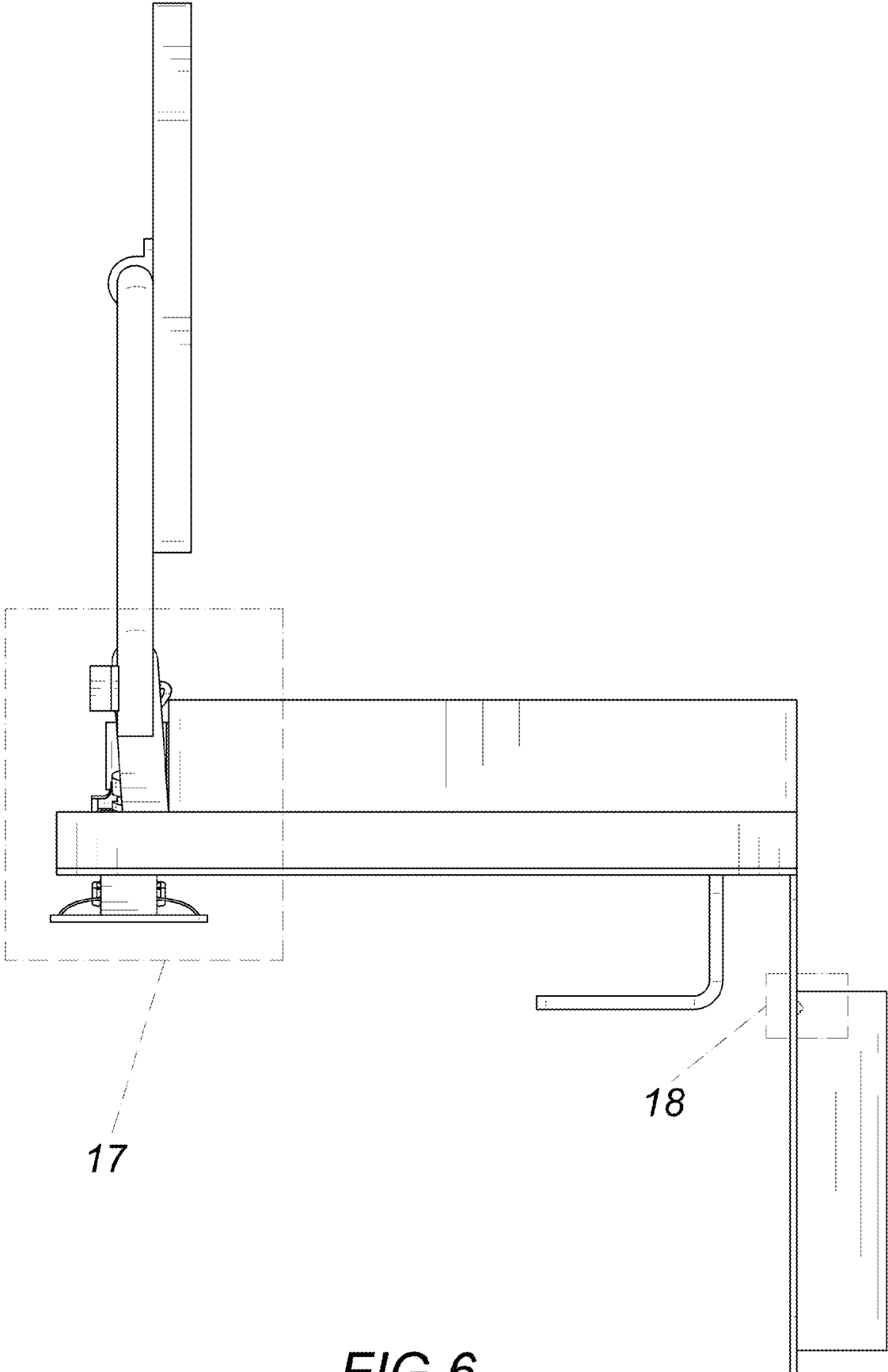


FIG. 6



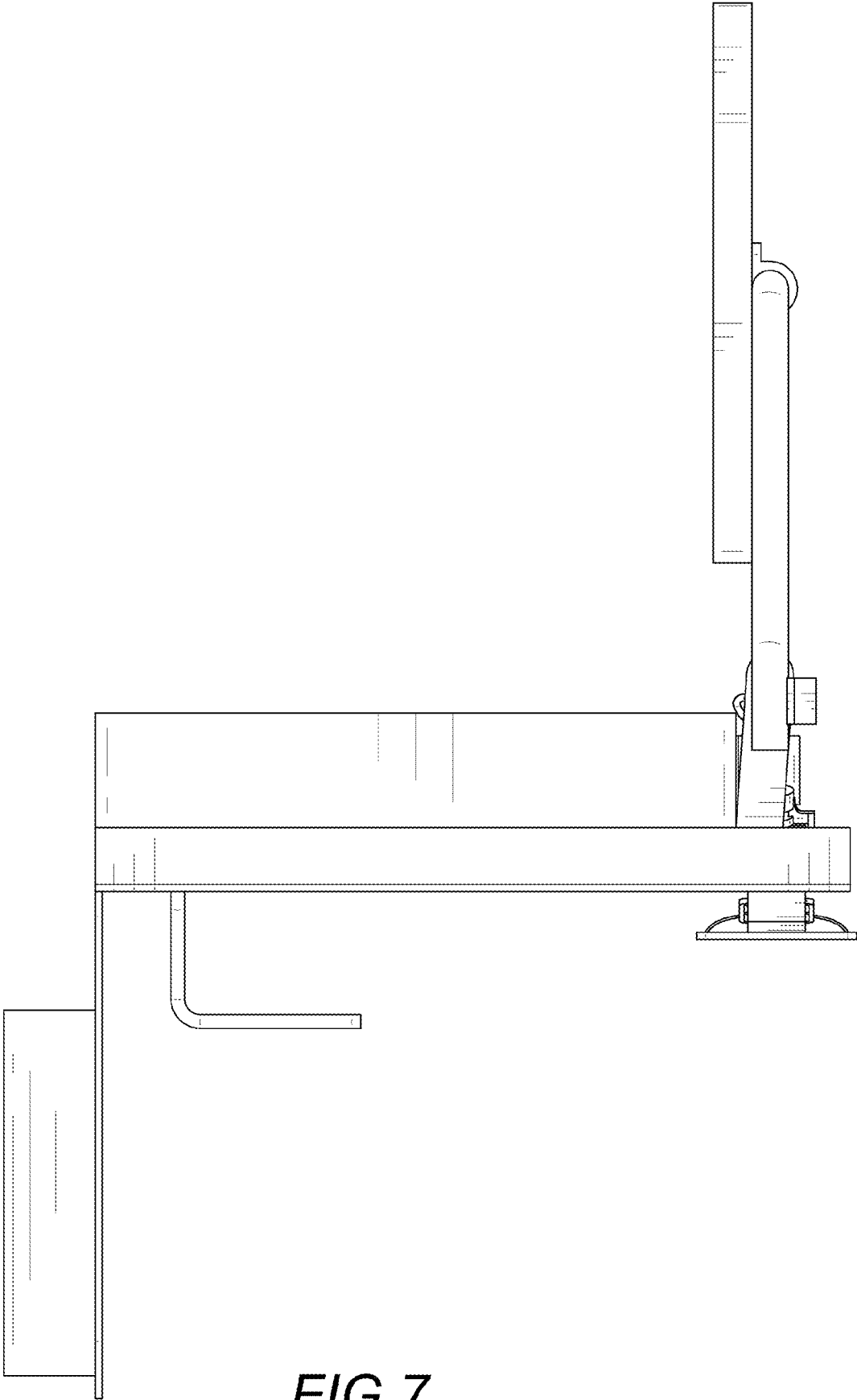


FIG. 7

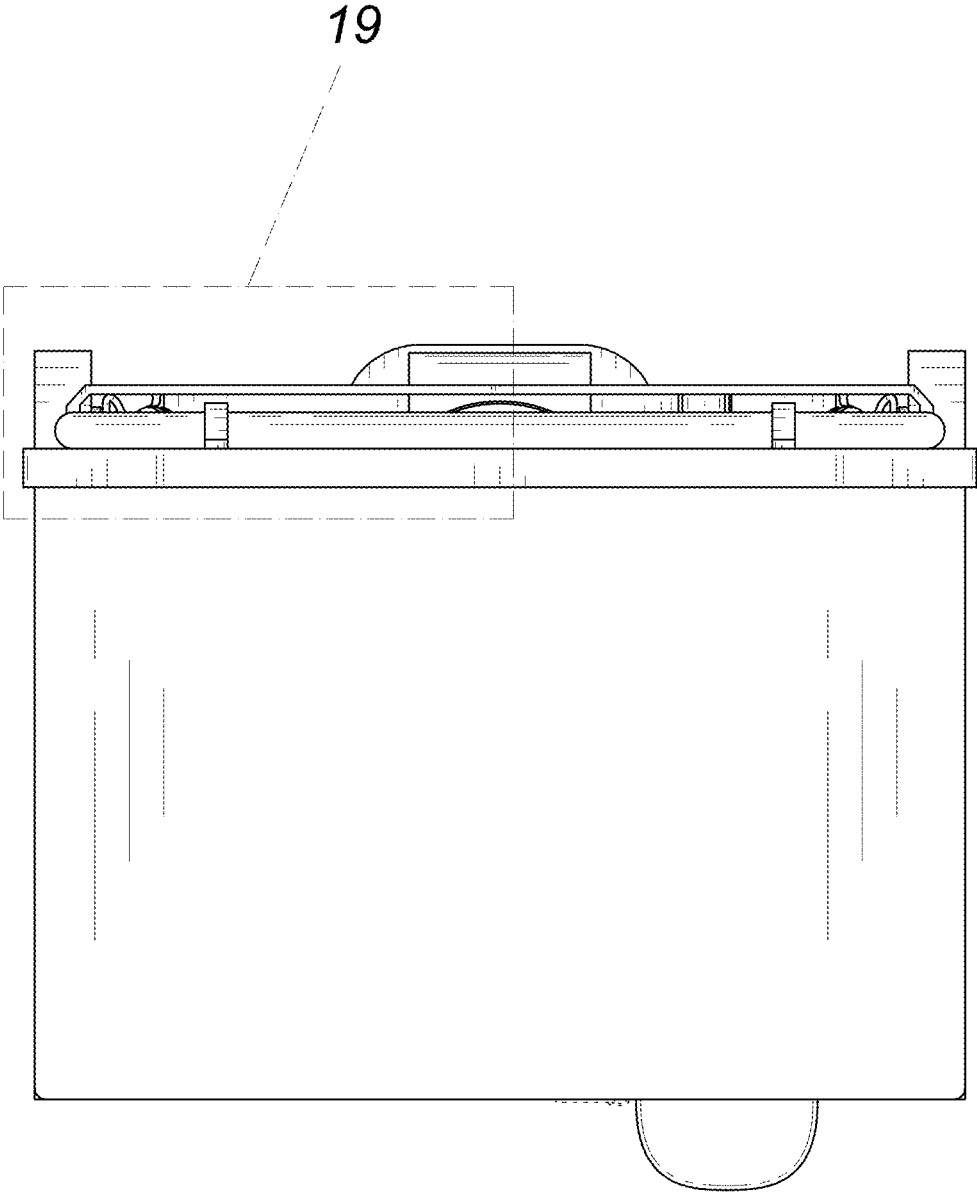


FIG. 8

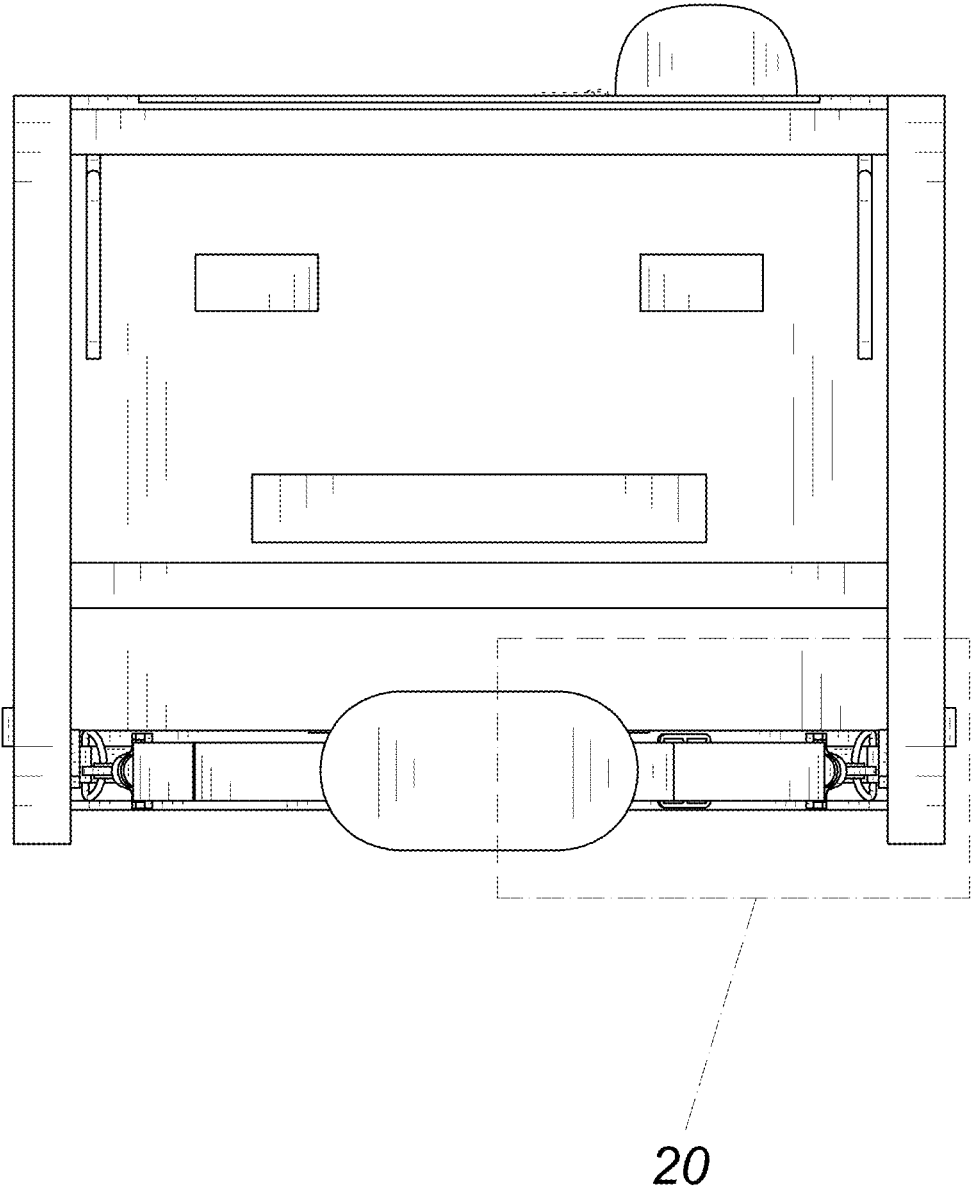
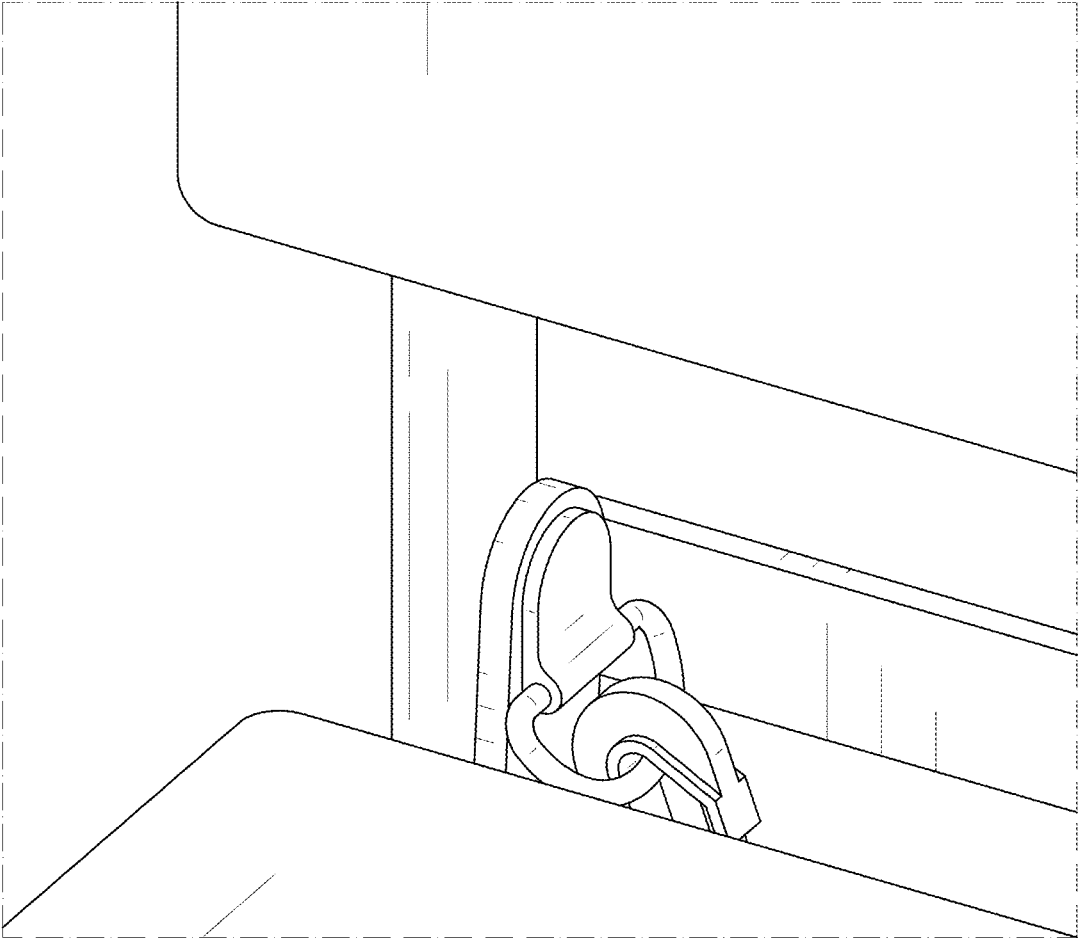


FIG.9



*FIG. 10*

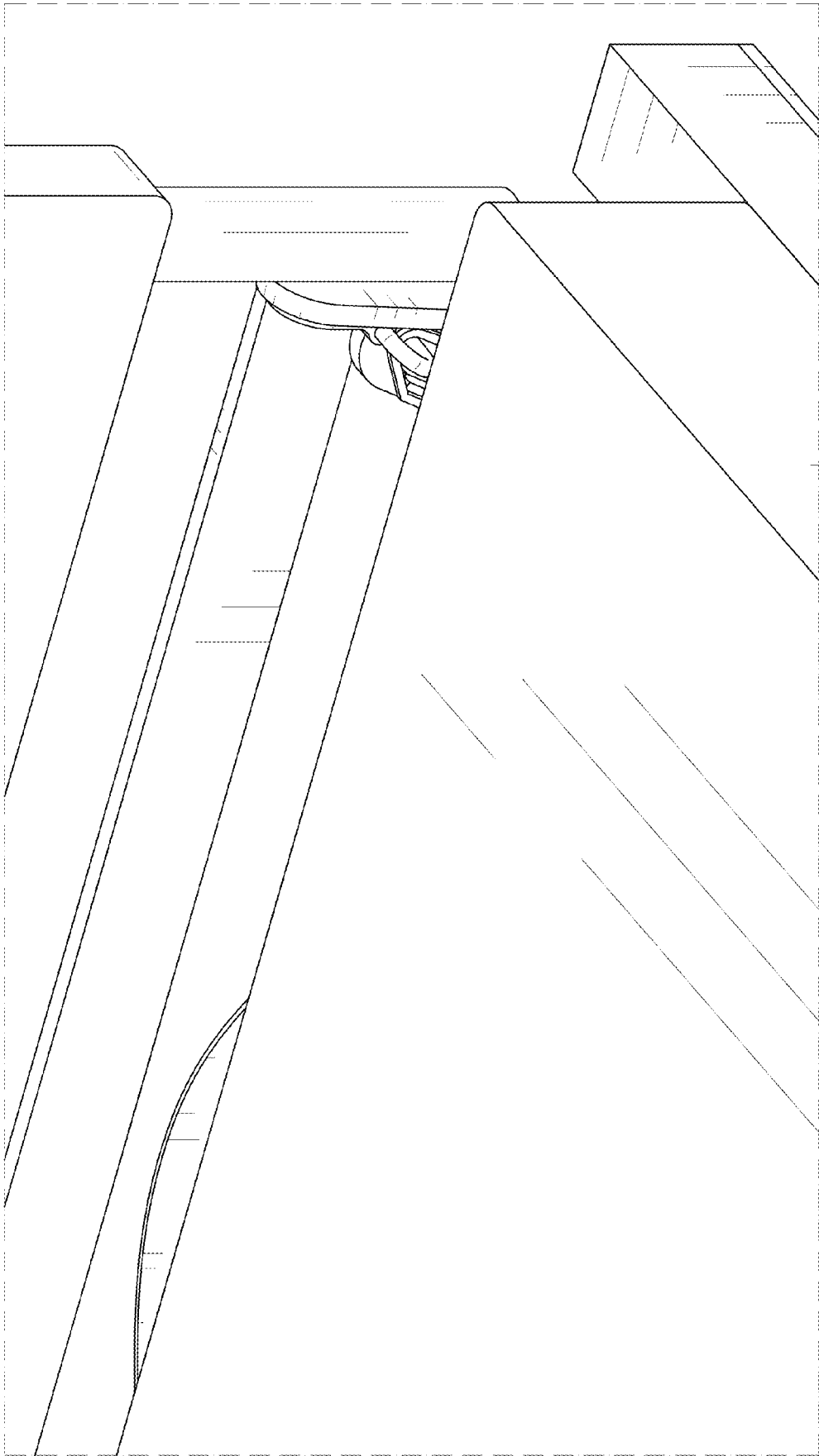


FIG.11

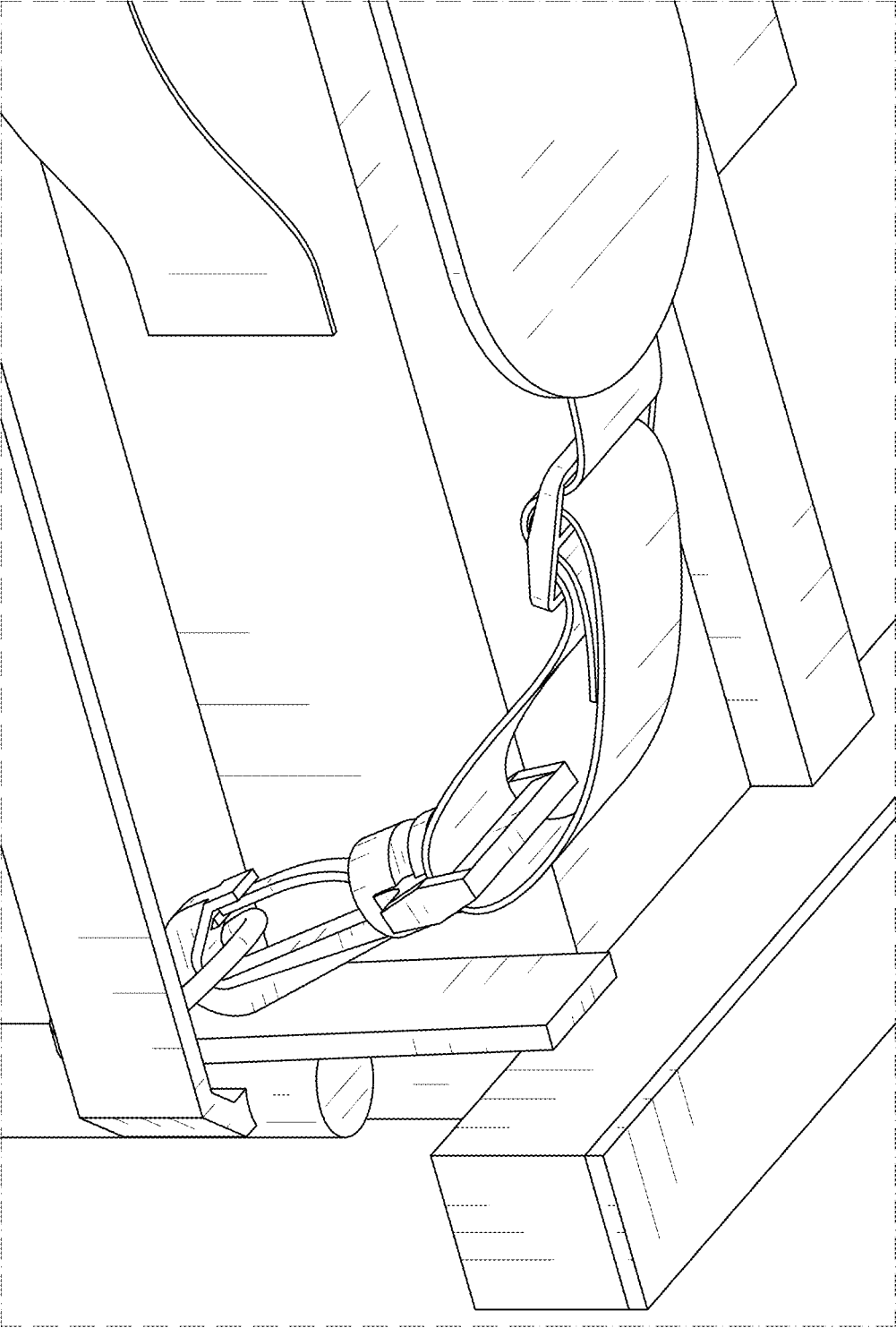
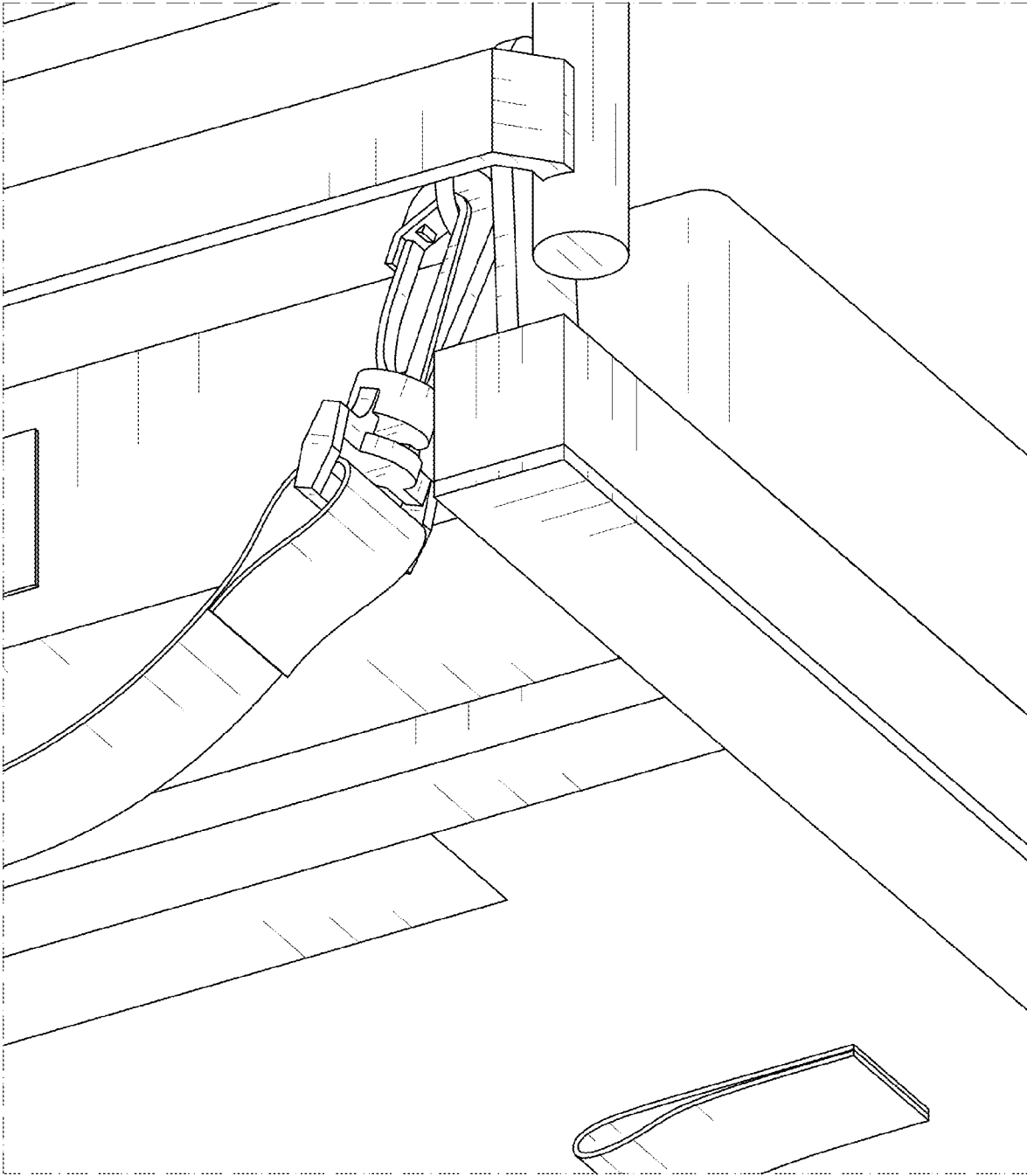


FIG.12



**FIG. 13**

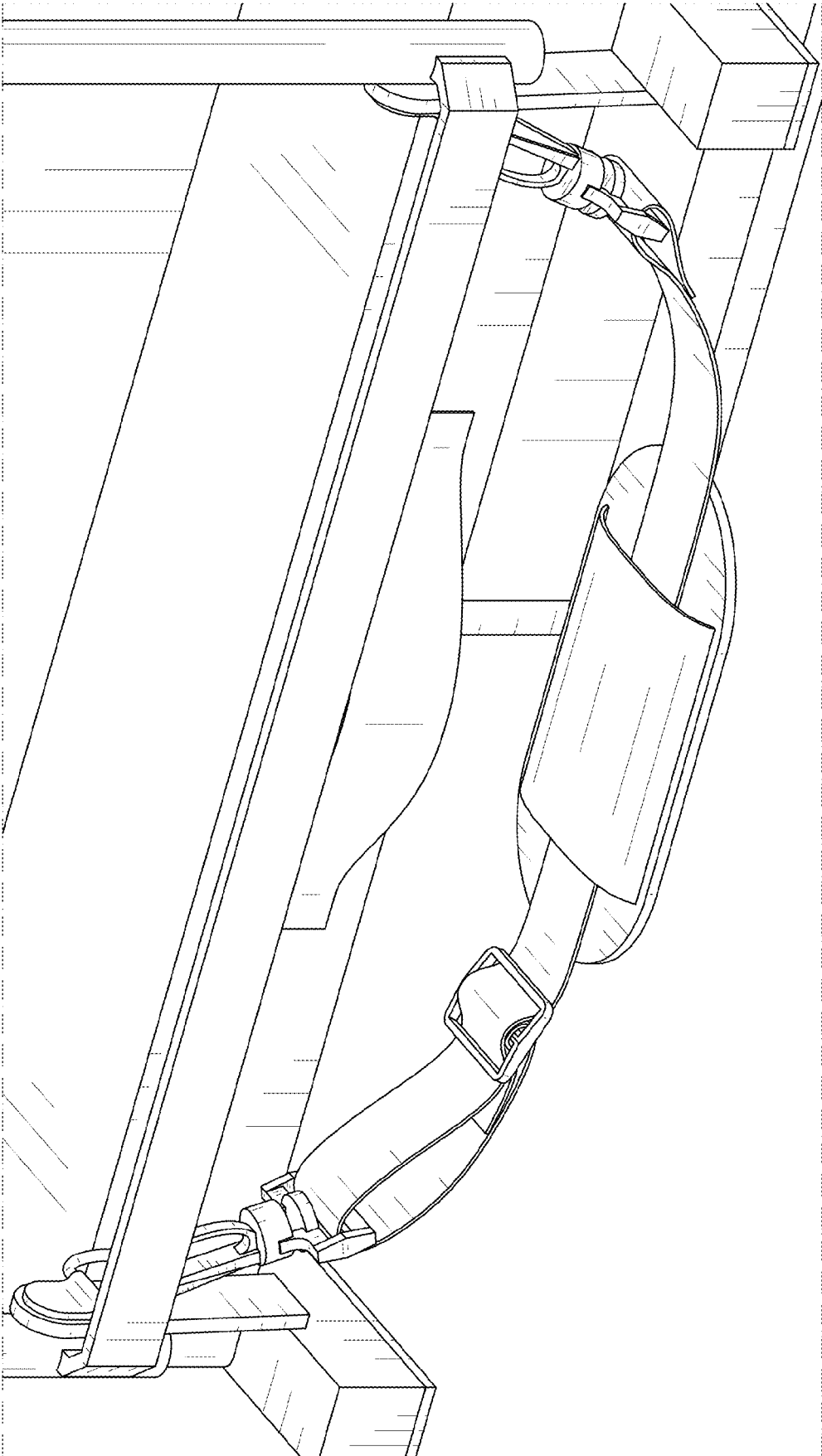
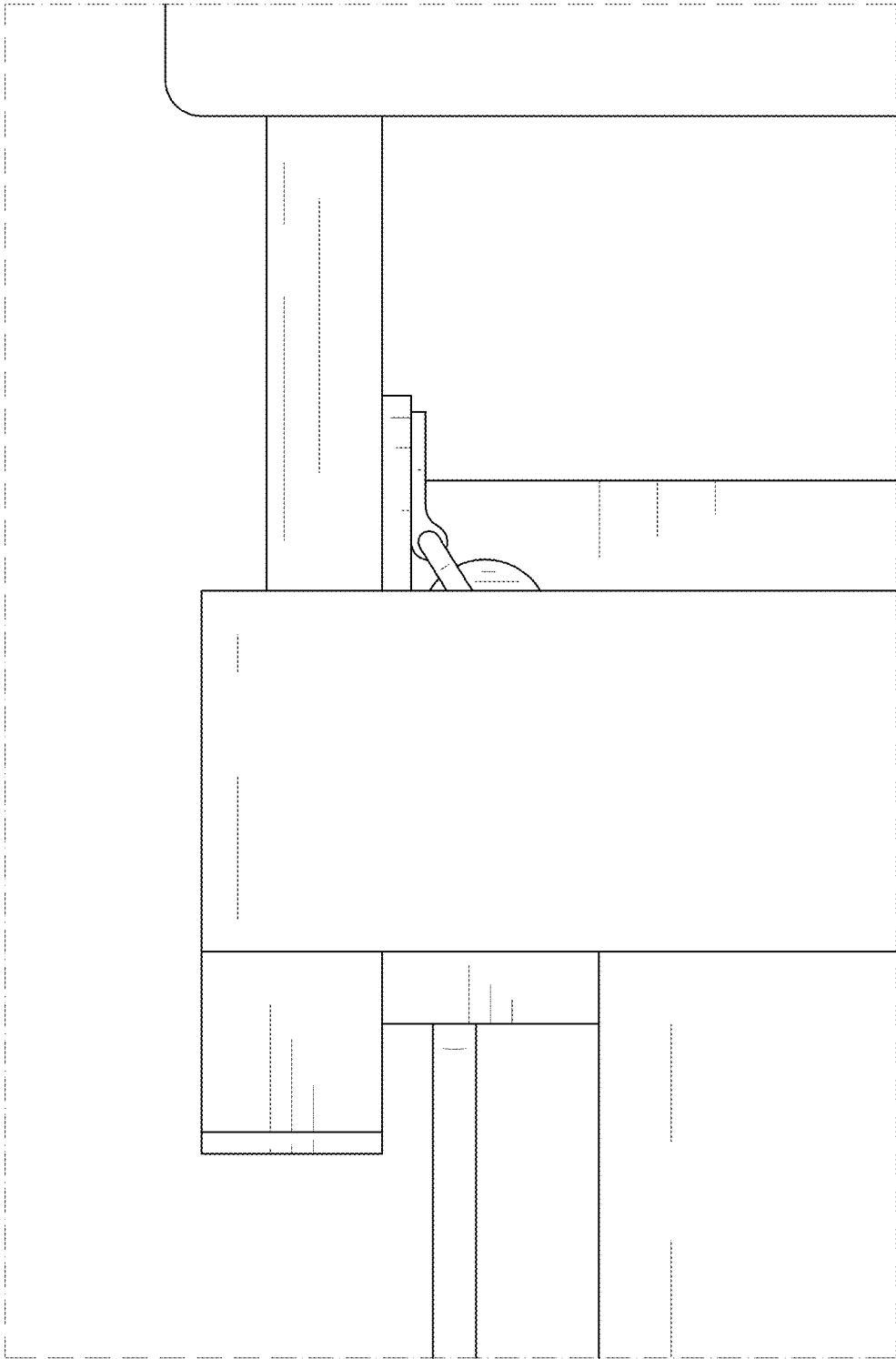


FIG.14





*FIG. 15*

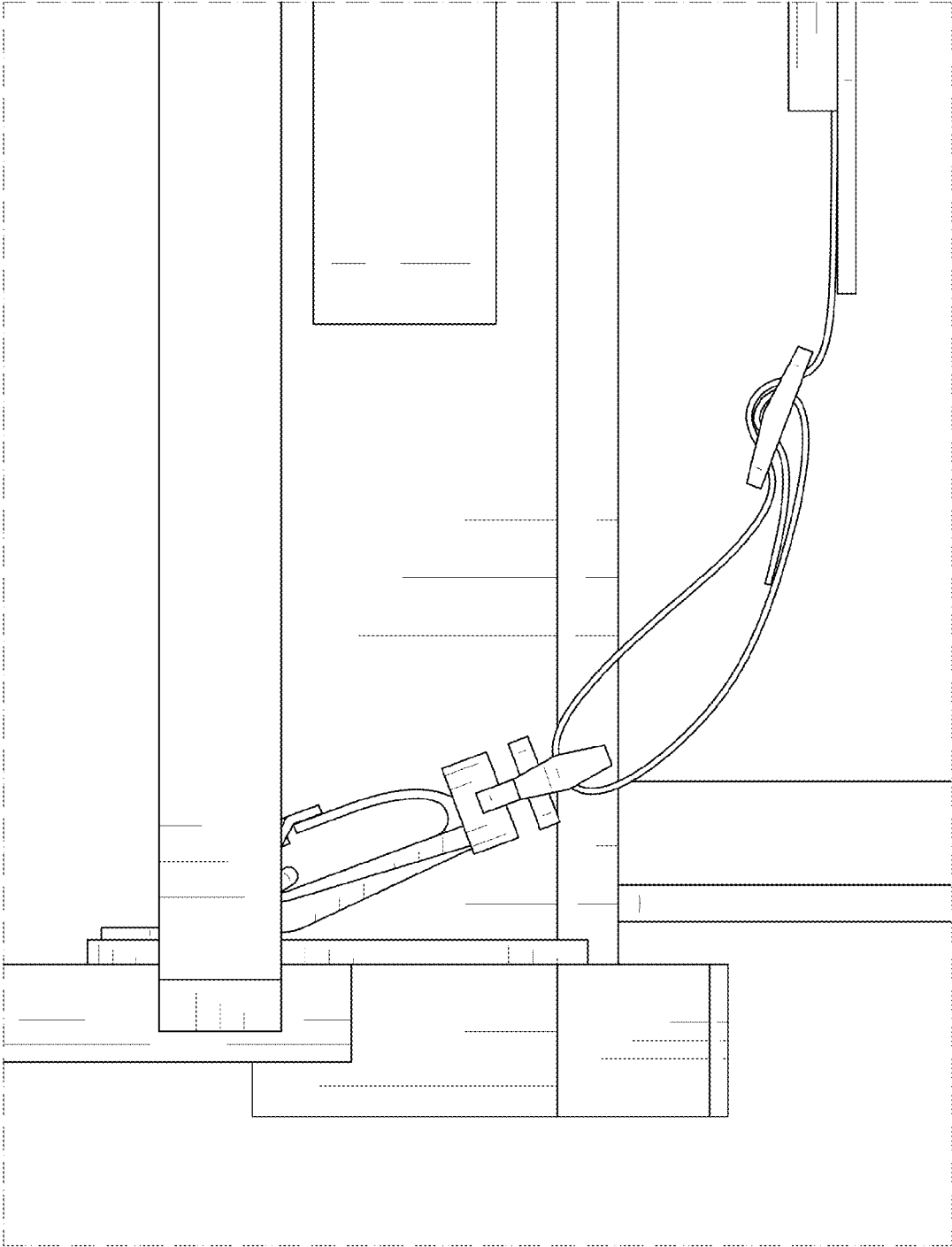
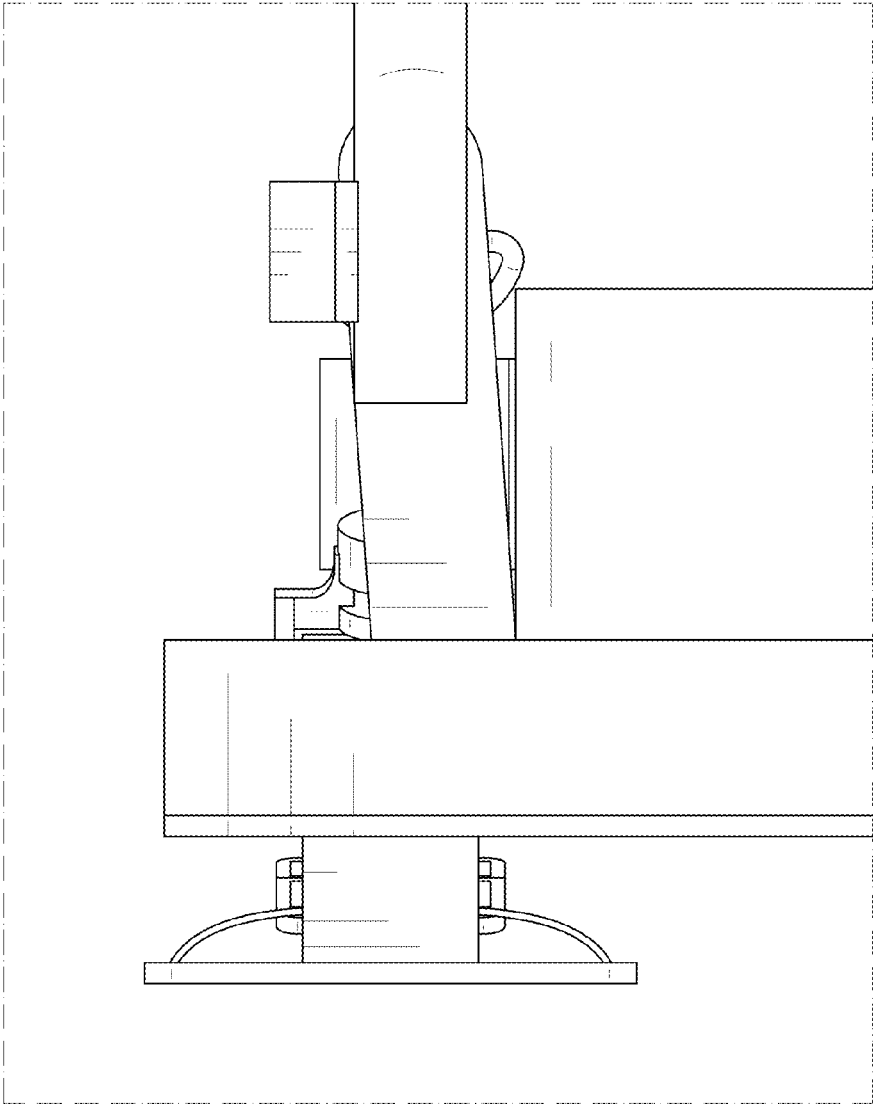
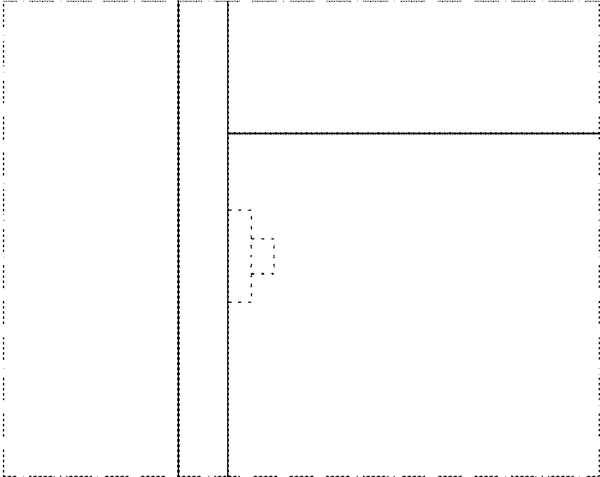


FIG.16



*FIG. 17*



*FIG. 18*

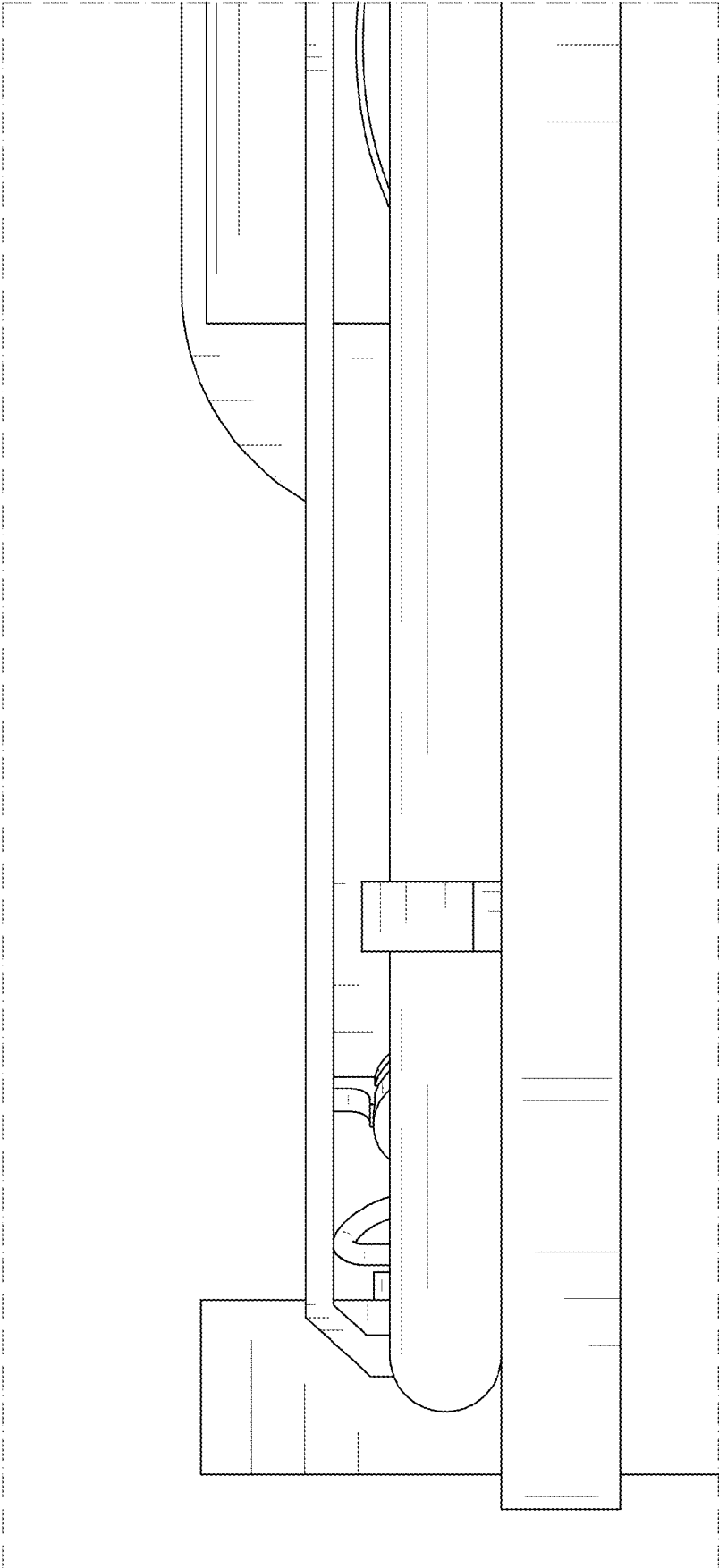


FIG. 19

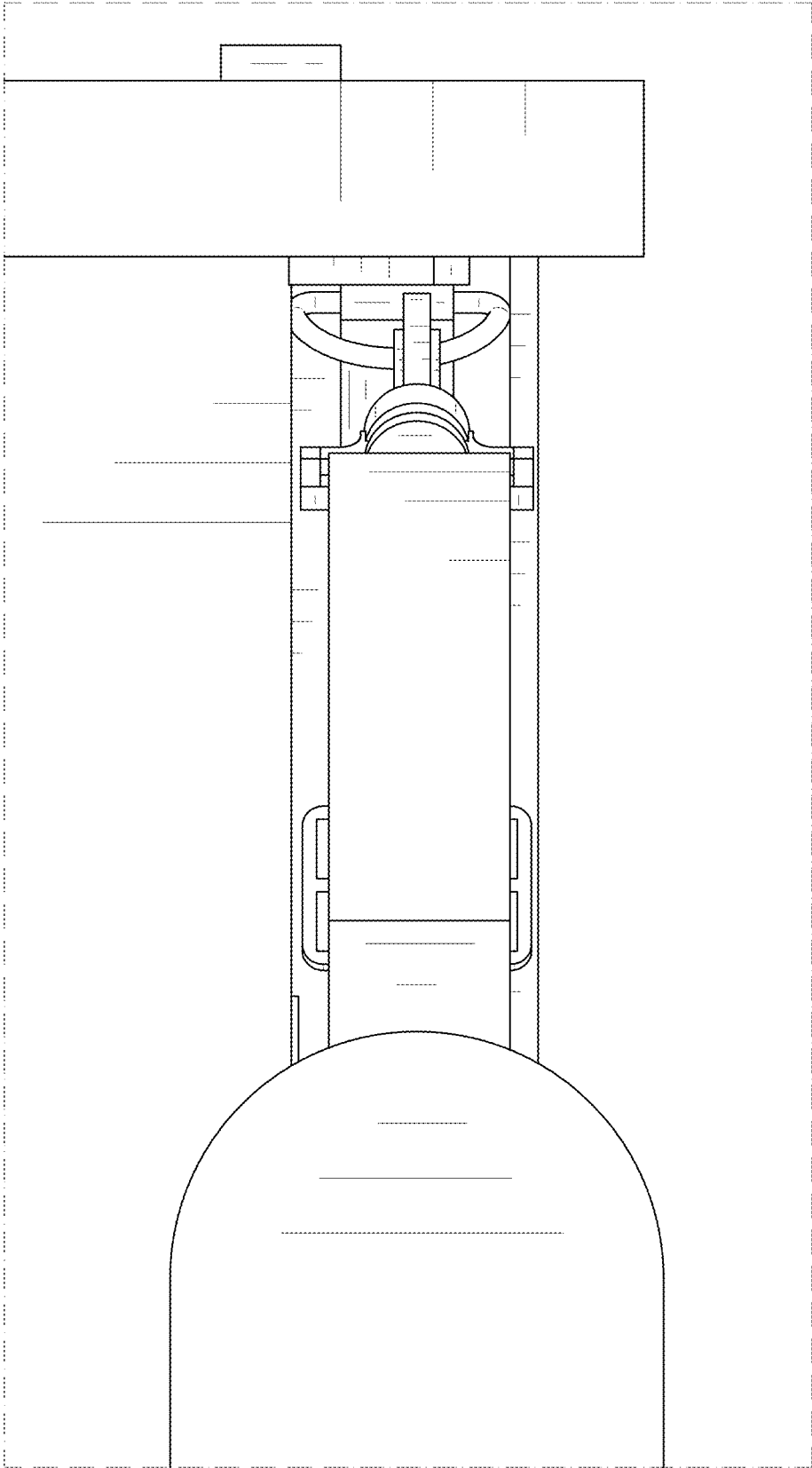


FIG. 20