



US00D623710S

(12) **United States Design Patent**
Hilton et al.

(10) **Patent No.:** **US D623,710 S**

(45) **Date of Patent:** **** Sep. 14, 2010**

(54) **PUTTER HEAD**

(75) Inventors: **Thomas R. Hilton**, Cardiff, CA (US);
Augustin W. Rollinson, Carlsbad, CA (US)

(73) Assignee: **Callaway Golf Company**, Carlsbad, CA (US)

(**) Term: **14 Years**

(21) Appl. No.: **29/362,886**

(22) Filed: **Jun. 1, 2010**

(51) **LOC (9) Cl.** **21-02**

(52) **U.S. Cl.** **D21/743**

(58) **Field of Classification Search** D21/736-746,
D21/759; 473/324-331, 340-341, 251-256
See application file for complete search history.

(56) **References Cited**

U.S. PATENT DOCUMENTS

D234,962 S *	4/1975	Swash	D21/739
D235,668 S *	7/1975	Swash	D21/739
D401,991 S	12/1998	Collins	
D458,656 S	6/2002	Tang et al.	
D461,514 S	8/2002	Tang et al.	
D461,860 S	8/2002	Tang et al.	
D472,594 S	4/2003	Tang et al.	
D499,782 S *	12/2004	Stites et al.	D21/759
D510,394 S	10/2005	Tang et al.	
D523,102 S *	6/2006	Stites et al.	D21/742
D529,108 S *	9/2006	Stites et al.	D21/736

D531,242 S *	10/2006	Adams	D21/746
D533,243 S *	12/2006	Fife et al.	D21/736
D537,137 S *	2/2007	Sheehan	D21/746
D542,869 S *	5/2007	Adams	D21/742
D548,296 S	8/2007	Rollinson	
D552,197 S *	10/2007	Wells et al.	D21/743
D565,139 S *	3/2008	Wilson	D21/743
D575,366 S	8/2008	Rollinson	
D582,497 S	12/2008	Rollinson	
D590,461 S	4/2009	Kim et al.	
D594,517 S	6/2009	Tang et al.	
D603,008 S *	10/2009	Donahue	D21/742

* cited by examiner

Primary Examiner—Mitchell I Siegel

(74) *Attorney, Agent, or Firm*—Michael A. Catania

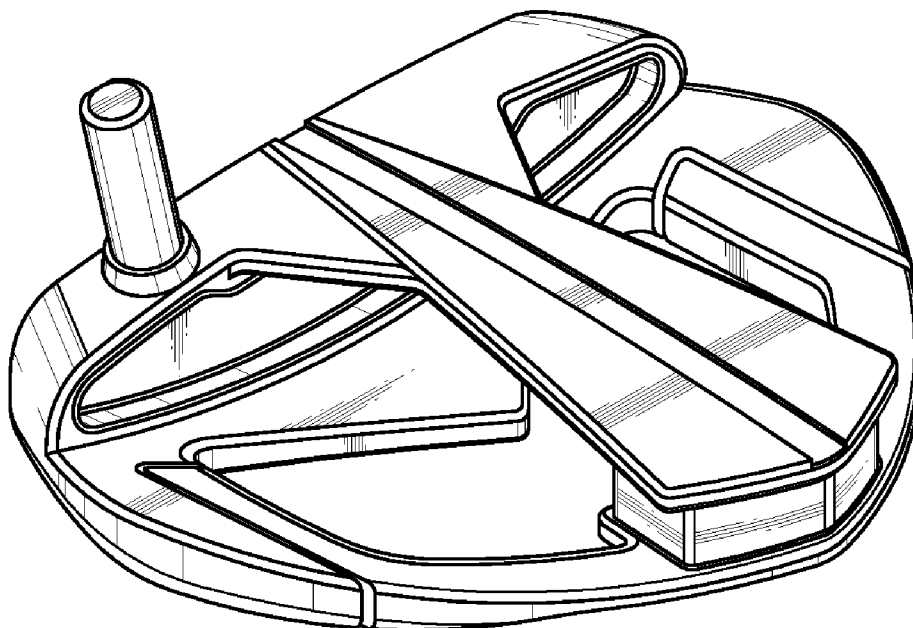
(57) **CLAIM**

The ornamental design for a putter head, as shown and described.

DESCRIPTION

FIG. 1 is a top perspective view of a putter head;
FIG. 2 is a front elevational view thereof;
FIG. 3 is a top plan view thereof;
FIG. 4 is a rear elevational view thereof;
FIG. 5 is a bottom plan view thereof;
FIG. 6 is a toe elevational view thereof; and,
FIG. 7 is a heel elevational view thereof.

1 Claim, 3 Drawing Sheets



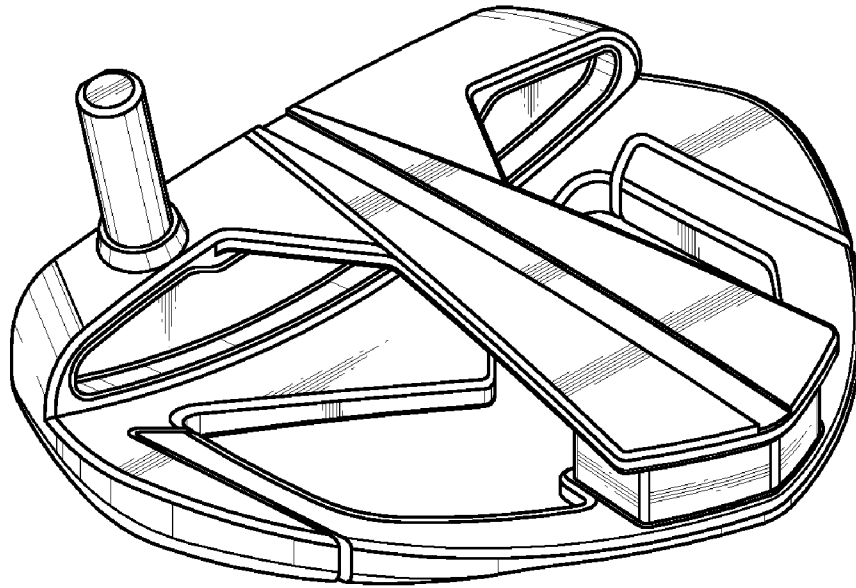


FIG. 1

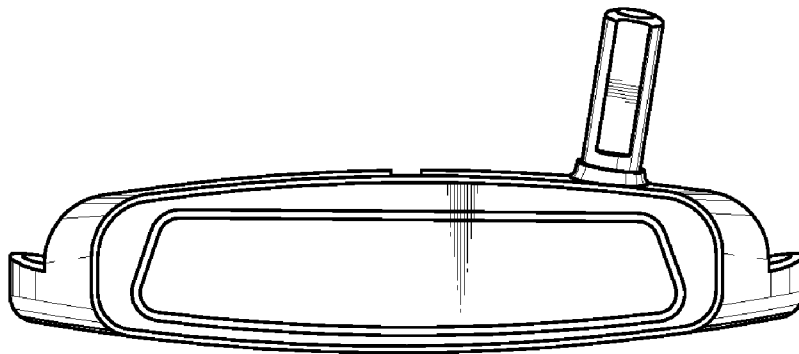


FIG. 2

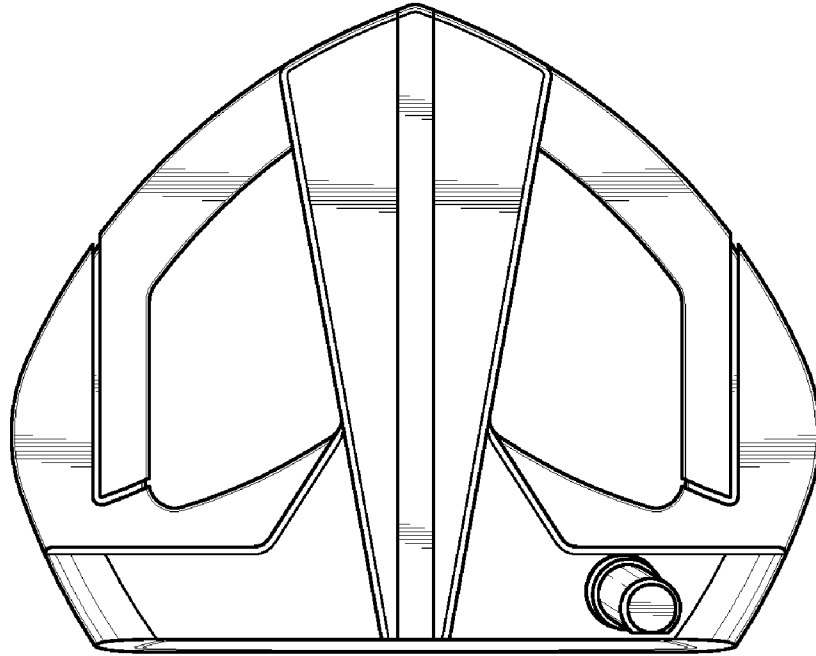


FIG. 3

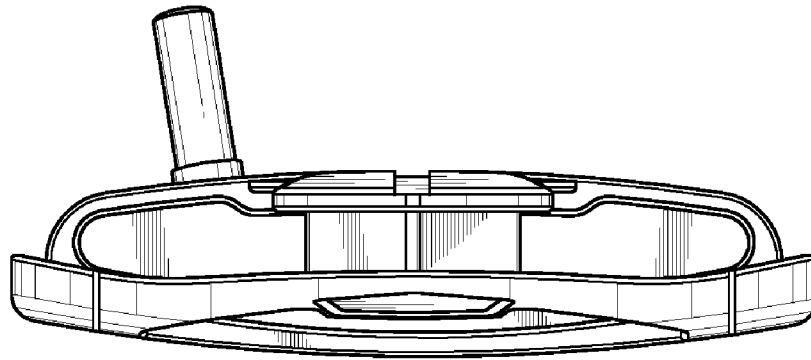


FIG. 4

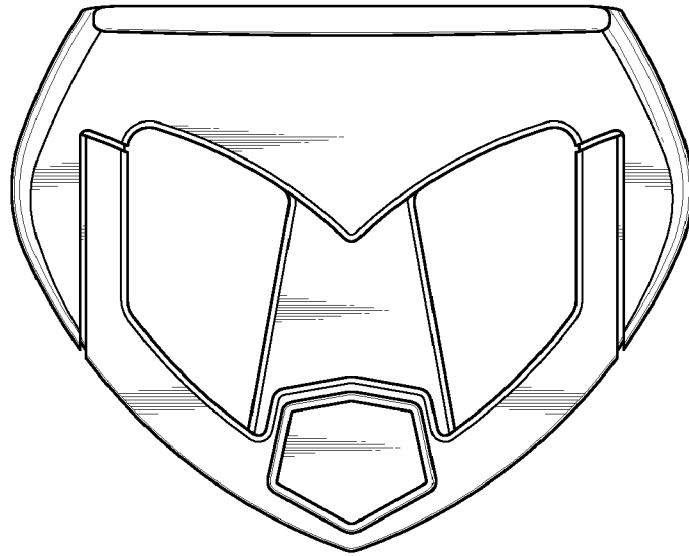


FIG. 5

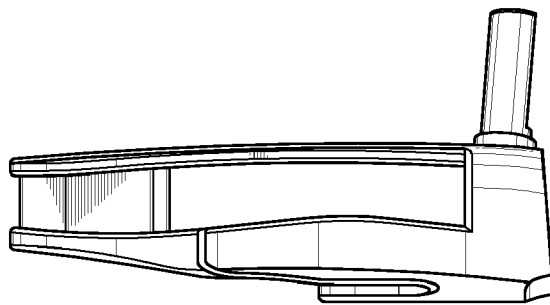


FIG. 6

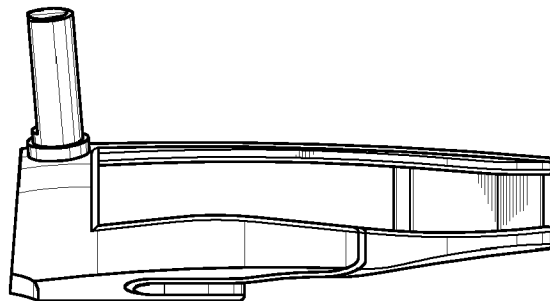


FIG. 7