

(19) World Intellectual Property Organization  
International Bureau



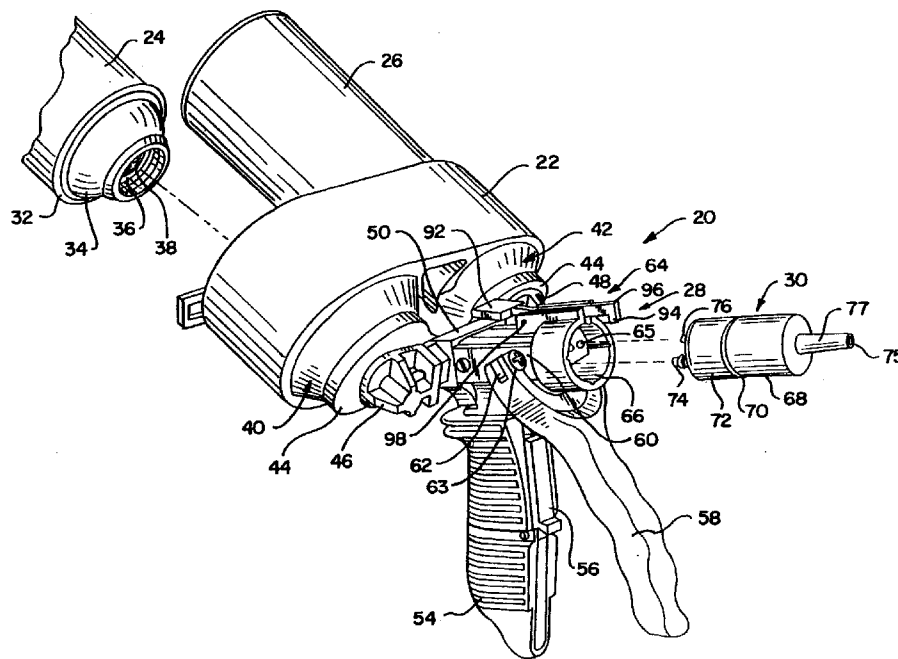
(43) International Publication Date  
22 July 1999 (22.07.1999)

PCT

(10) International Publication Number  
WO 1999/036345 A3

- (51) International Patent Classification:  
B67D 5/60 (2006.01)
  - (21) International Application Number:  
PCT/US1999/000313
  - (22) International Filing Date: 7 January 1999 (07.01.1999)
  - (25) Filing Language: English
  - (26) Publication Language: English
  - (30) Priority Data:  
09/008,187 16 January 1998 (16.01.1998) US
  - (71) Applicant: FLEXIBLE PRODUCTS COMPANY  
[US/US]; 1007 Industrial Park Drive, Marietta, GA 30061 (US).
  - (72) Inventor: BROWN, Daniel, P.; 8310 West 127th, Palos Park, IL 60464 (US).
  - (74) Agent: BUFALINO, Angelo, J.; Vedder Price Kaufman & Kammholz, 26th floor, 222 North LaSalle Street, Chicago, IL 60601 (US).
  - (81) Designated States (national): AL, AM, AT, AU, AZ, BA, BB, BG, BR, BY, CA, CH, CN, CU, CZ, DE, DK, EE, ES, FI, GB, GD, GE, GH, GM, HR, HU, ID, IL, IN, IS, JP, KE, KG, KP, KR, KZ, LC, LK, LR, LS, LT, LU, LV, MD, MG, MK, MN, MW, MX, NO, NZ, PL, PT, RO, RU, SD, SE, SG, SI, SK, SL, TJ, TM, TR, TT, UA, UG, UZ, VN, YU, ZW.
  - (84) Designated States (regional): ARIPO patent (GH, GM, KE, LS, MW, SD, SZ, UG, ZW), Eurasian patent (AM, AZ, BY, KG, KZ, MD, RU, TJ, TM), European patent (AT, BE, CH, CY, DE, DK, ES, FI, FR, GB, GR, IE, IT, LU, MC, NL, PT, SE), OAPI patent (BF, BJ, CF, CG, CI, CM, GA, GN, GW, ML, MR, NE, SN, TD, TG).
- Published:  
— with international search report
- (88) Date of publication of the international search report:  
27 March 2008

(54) Title: DISPENSING SYSTEM WITH UNIQUE CONTAINER ATTACHMENT



(57) Abstract: A chemical product dispenser (20) and a manifold (50) attached thereto. The manifold (50) includes two separate passages (110), (118) for directing the contents from two pressurized valved containers (24), (26). The manifold (50) includes two adapters (46), (48), each having a different structural configuration that can only be secured to a correspondingly matched containers intended to be attached thereto.



WO 1999/036345 A3

INTERNATIONAL SEARCH REPORT

International application No.  
PCT/US99/00313

**A. CLASSIFICATION OF SUBJECT MATTER**

IPC(6) :B67D 5/60  
US CL :222/135, 145.5, 325; 239/304

According to International Patent Classification (IPC) or to both national classification and IPC

**B. FIELDS SEARCHED**

Minimum documentation searched (classification system followed by classification symbols)

U.S. : 222/135, 137, 145.1, 145.5, 145.6, 394, 402.1, 402,14, 325; 239/302-304, 407, 413, 414

Documentation searched other than minimum documentation to the extent that such documents are included in the fields searched

Electronic data base consulted during the international search (name of data base and, where practicable, search terms used)

**C. DOCUMENTS CONSIDERED TO BE RELEVANT**

Category*	Citation of document, with indication, where appropriate, of the relevant passages	Relevant to claim No.
A	US 5,344,051 A (BROWN) 06 September 1994.	
A	US 4,676,437 A (BROWN) 30 June 1987.	
A	US 4,955,544 A (KOPP) 11 September 1990.	
A	US 5,092,492 A (CENTEA) 03 March 1992.	
A	US 5,425,404 A (DYER) 20 June 1995.	

Further documents are listed in the continuation of Box C.  See patent family annex.

* Special categories of cited documents:	*T* later document published after the international filing date or priority date and not in conflict with the application but cited to understand the principle or theory underlying the invention
*A* document defining the general state of the art which is not considered to be of particular relevance	*X* document of particular relevance; the claimed invention cannot be considered novel or cannot be considered to involve an inventive step when the document is taken alone
*E* earlier document published on or after the international filing date	*Y* document of particular relevance; the claimed invention cannot be considered to involve an inventive step when the document is combined with one or more other such documents, such combination being obvious to a person skilled in the art
*L* document which may throw doubts on priority claim(s) or which is cited to establish the publication date of another citation or other special reason (as specified)	*Z* document member of the same patent family
*O* document referring to an oral disclosure, use, exhibition or other means	
*P* document published prior to the international filing date but later than the priority date claimed	

Date of the actual completion of the international search

14 MARCH 1999

Date of mailing of the international search report

09 APR 1999

Name and mailing address of the ISA/US  
Commissioner of Patents and Trademarks  
Box PCT  
Washington, D.C. 20231

Facsimile No. (703) 305-3230

Authorized officer

KEVIN P. SHAVER *Diane Smith for*

Telephone No. (703) 308-0858