



US00D914280S

(12) **United States Design Patent**
Jones et al.

(10) **Patent No.:** **US D914,280 S**

(45) **Date of Patent:** **** Mar. 23, 2021**

(54) **VAPORIZER BASE**
(71) Applicant: **CANOPY GROWTH CORPORATION**, Smiths Falls (CA)
(72) Inventors: **Mark Jones**, Toronto (CA); **Peter Popplewell**, Ottawa (CA); **Andrew Stewart**, Ottawa (CA); **Yan Vermette**, Ottawa (CA)
(73) Assignee: **CANOPY GROWTH CORPORATION**, Smiths Falls (CA)

D770,086 S * 10/2016 Tucker D27/101
9,642,396 B2 5/2017 Liu
D797,369 S * 9/2017 Yamada D27/101
9,901,116 B2 2/2018 Liu
D813,446 S * 3/2018 Moor D27/101
D821,028 S * 6/2018 Tucker D27/101
10,010,114 B2 7/2018 Jordan et al.
D825,835 S * 8/2018 Verleur D27/101
D834,743 S * 11/2018 Tucker D27/101
10,215,390 B2 2/2019 Maglica et al.
10,218,193 B2 2/2019 Gratton
D849,318 S * 5/2019 Deng D27/162

(Continued)

(**) Term: **15 Years**

FOREIGN PATENT DOCUMENTS

(21) Appl. No.: **29/712,801**

CN 108497559 A 7/2018
WO WO 2015/058367 A1 4/2015
WO WO 2019/173923 A1 9/2019

(22) Filed: **Nov. 12, 2019**

Primary Examiner — Marissa J Cash
Assistant Examiner — Rebecca Tsehaye
(74) *Attorney, Agent, or Firm* — Stinson LLP

(51) **LOC (13) Cl.** **27-02**
(52) **U.S. Cl.**

USPC **D27/162**

(58) **Field of Classification Search**
USPC D24/162, 100, 101, 163–165, 172, 183,
D24/185–194, 110, 110.5
CPC A24F 47/002; A24F 47/006; A24F 47/008;
A61M 15/00; A61M 15/06
See application file for complete search history.

(57) **CLAIM**

The ornamental design for a vaporizer base, as shown and described.

DESCRIPTION

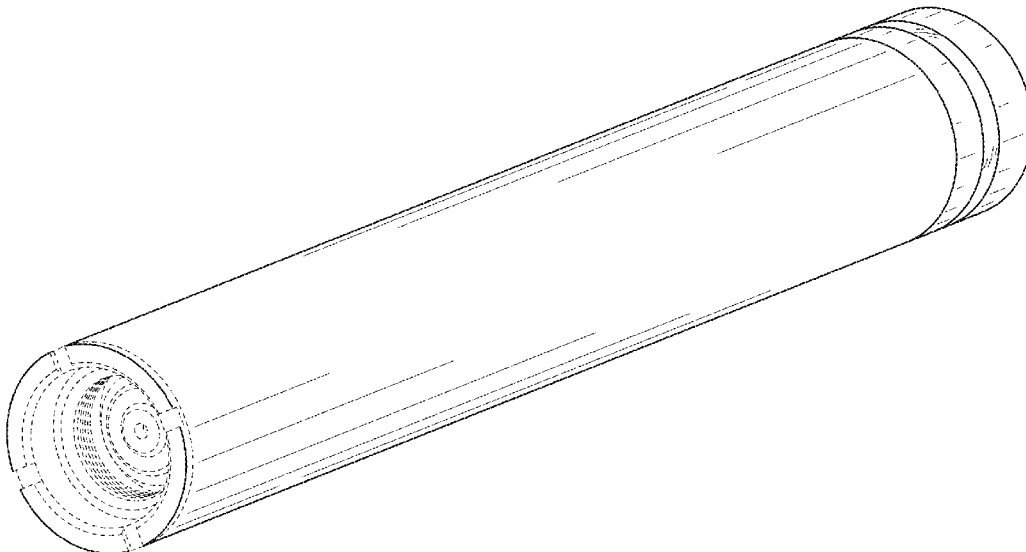
(56) **References Cited**

U.S. PATENT DOCUMENTS

D685,522 S * 7/2013 Potter D27/101
8,528,569 B1 * 9/2013 Newton A61M 15/06
131/194
8,539,959 B1 9/2013 Scatterday
D728,154 S * 4/2015 Lavanchy D27/101
9,032,968 B2 5/2015 Glasberg et al.
9,131,733 B2 9/2015 Liu
D750,834 S * 3/2016 Wei D27/101
9,277,769 B2 3/2016 Liu
D755,440 S * 5/2016 Collen D27/163
D758,650 S * 6/2016 Wu D27/101
D768,915 S * 10/2016 Wright D27/101

FIG. 1 is a perspective view of the vaporizer base; FIG. 2 is a top plan view of the vaporizer base of FIG. 1, with the bottom plan and right side elevational views being the same as the top plan view of FIG. 2, and the left side elevational view being a mirror image of the top plan view of FIG. 2; FIG. 3 is a rear elevational view of the vaporizer base of FIG. 1; and, FIG. 4 is a front elevational view of the vaporizer base of FIG. 1. The broken lines in the drawings illustrate portions of the vaporizer base that form no part of the claimed design.

1 Claim, 3 Drawing Sheets



(56)

References Cited

U.S. PATENT DOCUMENTS

D850,712	S *	6/2019	Fornarelli	D27/162
D876,719	S *	2/2020	Vermette	D27/162
D884,268	S *	5/2020	Deng	D27/162
D889,034	S *	6/2020	Stewart	D27/162
D907,289	S *	1/2021	Stewart	D27/162
2006/0232239	A1	10/2006	Maglica et al.	
2015/0196059	A1*	7/2015	Liu	H05B 3/06 131/329
2016/0331029	A1	11/2016	Contreras	
2018/0248393	A1	8/2018	Sun et al.	
2019/0000146	A1	1/2019	Lin et al.	

* cited by examiner

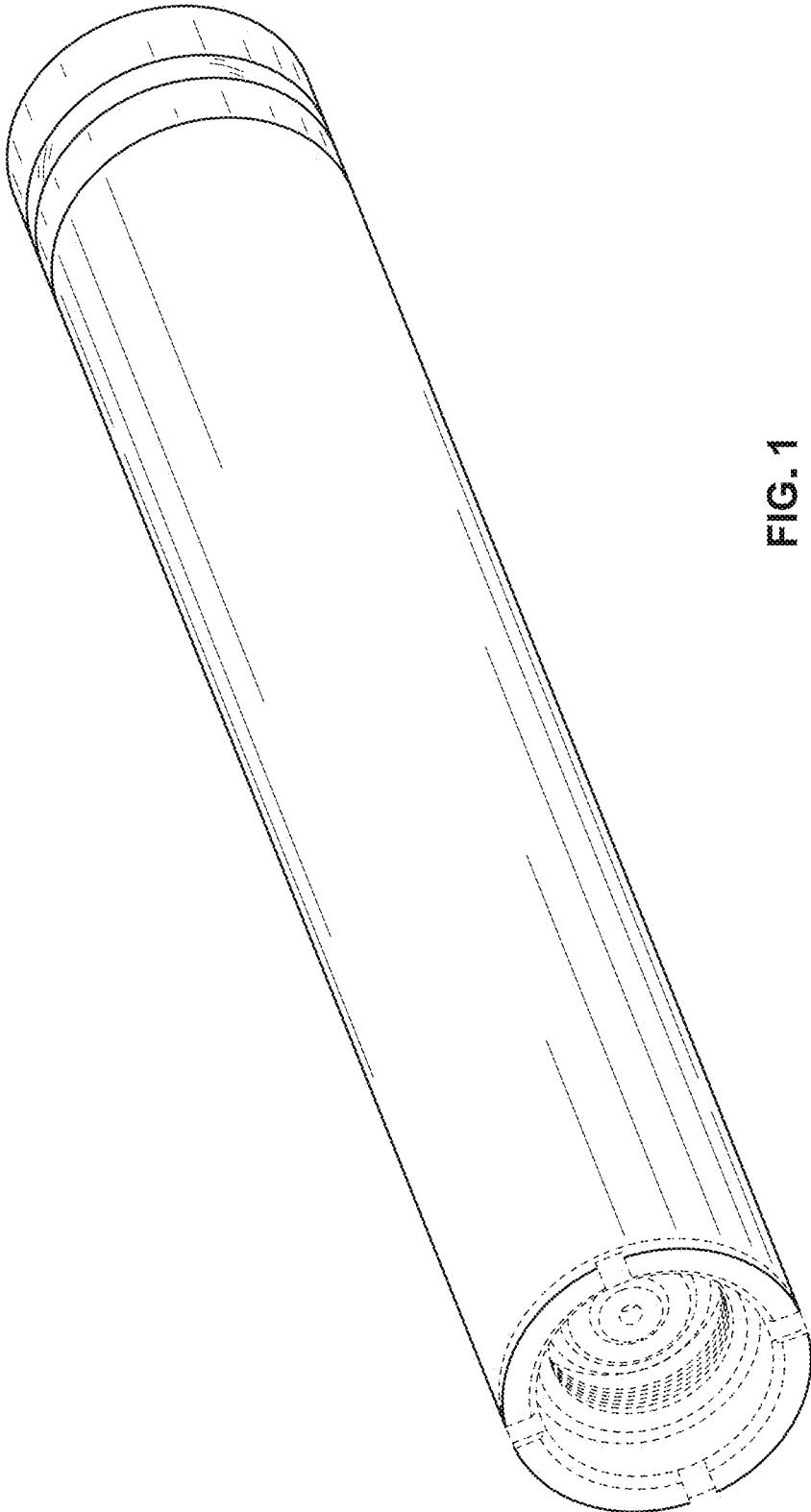


FIG. 1

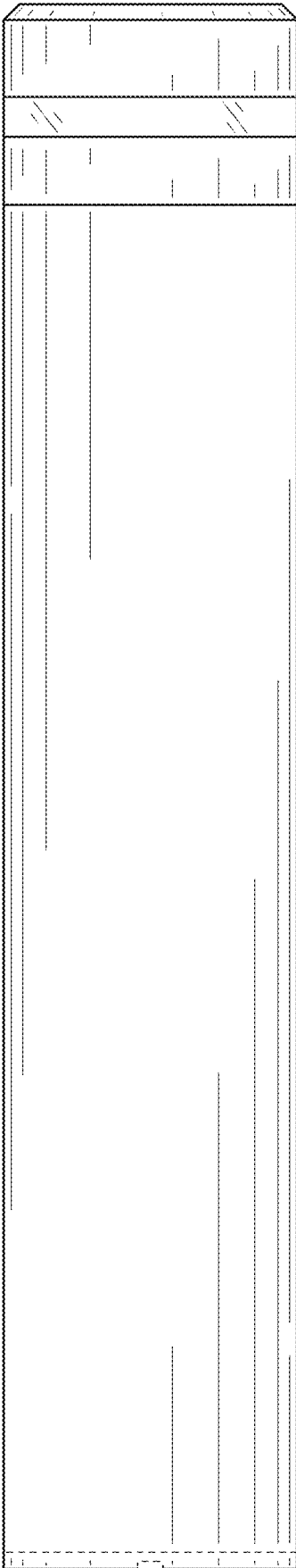


FIG. 2

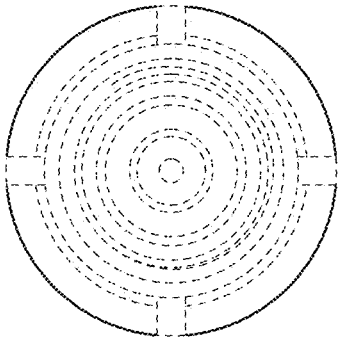


FIG. 4

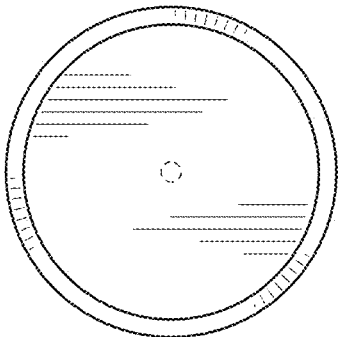


FIG. 3