



US00D829485S

(12) **United States Design Patent**  
**Morenstein et al.**

(10) **Patent No.:** **US D829,485 S**

(45) **Date of Patent:** **\*\* Oct. 2, 2018**

(54) **OVEN**

(71) Applicant: **Brava Home, Inc.**, Redwood City, CA (US)

(72) Inventors: **Joshua Morenstein**, San Francisco, CA (US); **Christopher Hibmacronan**, Oakland, CA (US); **Joseph Benjamin Roth**, San Francisco, CA (US)

(73) Assignee: **BRAVA HOME, INC.**, Redwood City, CA (US)

(\*\*) Term: **15 Years**

(21) Appl. No.: **29/613,390**

(22) Filed: **Aug. 9, 2017**

(51) **LOC (11) Cl.** ..... **07-02**

(52) **U.S. Cl.**  
USPC ..... **D7/350.1**

(58) **Field of Classification Search**  
USPC ..... D7/350.1-351, 402-403, 405, 354  
CPC . H05B 6/64; H05B 6/12; H05B 6/806; H05B 6/6426; H05B 6/6414; A21B 1/52  
See application file for complete search history.

(56) **References Cited**

**U.S. PATENT DOCUMENTS**

6,843,207 B2 \* 1/2005 Kanzaki ..... F24C 15/003  
122/30  
D541,578 S \* 5/2007 Jeon ..... D7/350.1

D586,180 S \* 2/2009 Pino ..... D7/405  
D602,306 S \* 10/2009 Lavy ..... D7/350.1  
D629,639 S \* 12/2010 Fernandez ..... D7/350.1  
D771,995 S \* 11/2016 Bhogal ..... D7/350.1  
D771,996 S \* 11/2016 Bhogal ..... D7/350.1  
D777,504 S \* 1/2017 Bhogal ..... D7/350.1  
D782,864 S \* 4/2017 Bhogal ..... D7/350.1  
D783,336 S \* 4/2017 Suh ..... D7/351  
D802,996 S \* 11/2017 Bhogal ..... D7/405

\* cited by examiner

*Primary Examiner* — Ruth McInroy

(74) *Attorney, Agent, or Firm* — Haynes and Boone, LLP

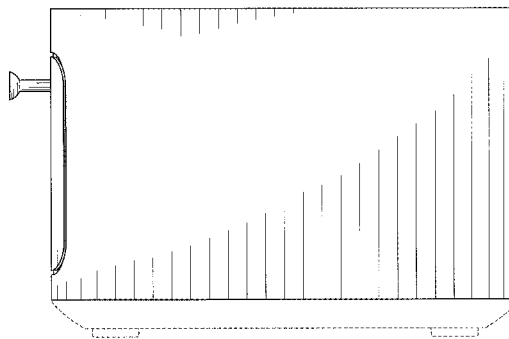
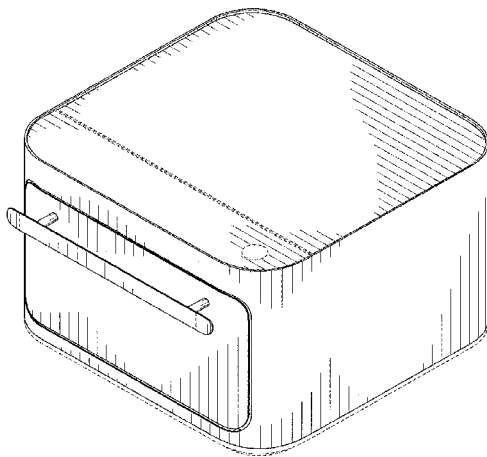
(57) **CLAIM**

The ornamental design for an oven, as shown and described.

**DESCRIPTION**

FIG. 1 is a perspective view of an oven.  
FIG. 2 is an alternative perspective view of the oven  
FIG. 3 is a front elevational view of the oven.  
FIG. 4 is a rear elevational view of the oven.  
FIG. 5 is a right side elevational view of the oven  
FIG. 6 is a left side elevational view of the oven  
FIG. 7 is a top plan view of the oven; and,  
FIG. 8 is a bottom plan view of the oven.  
The details shown in broken lines form no part of the claimed design.

**1 Claim, 8 Drawing Sheets**



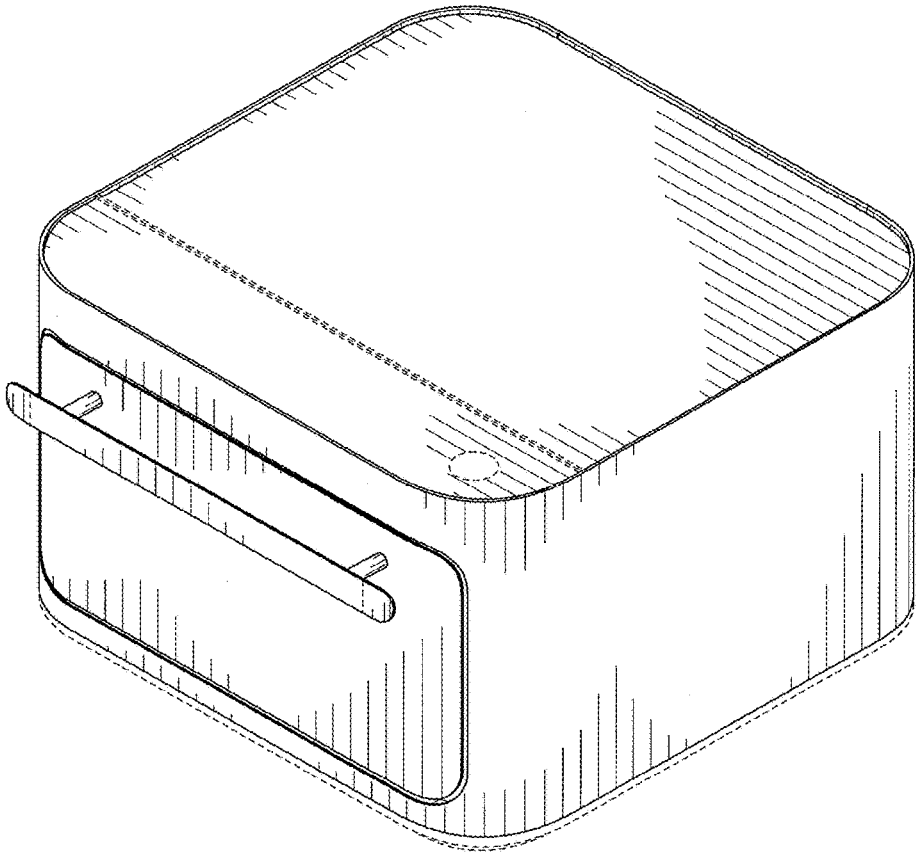


FIG. 1

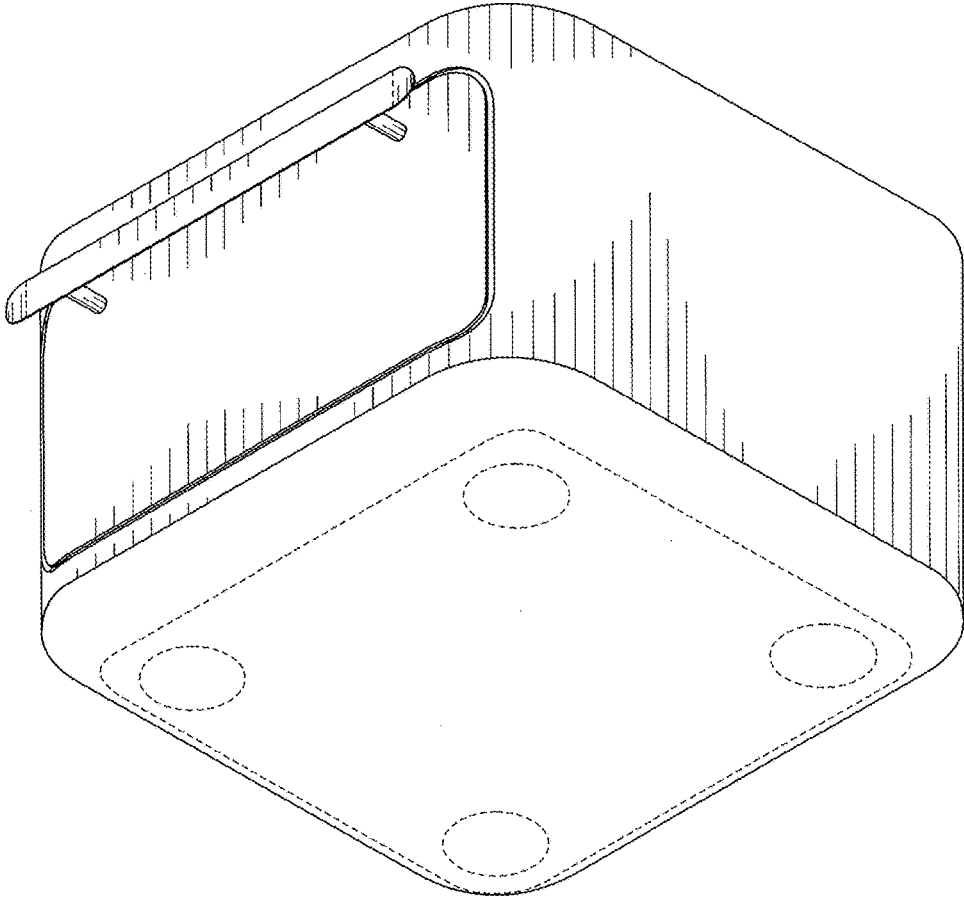


FIG. 2

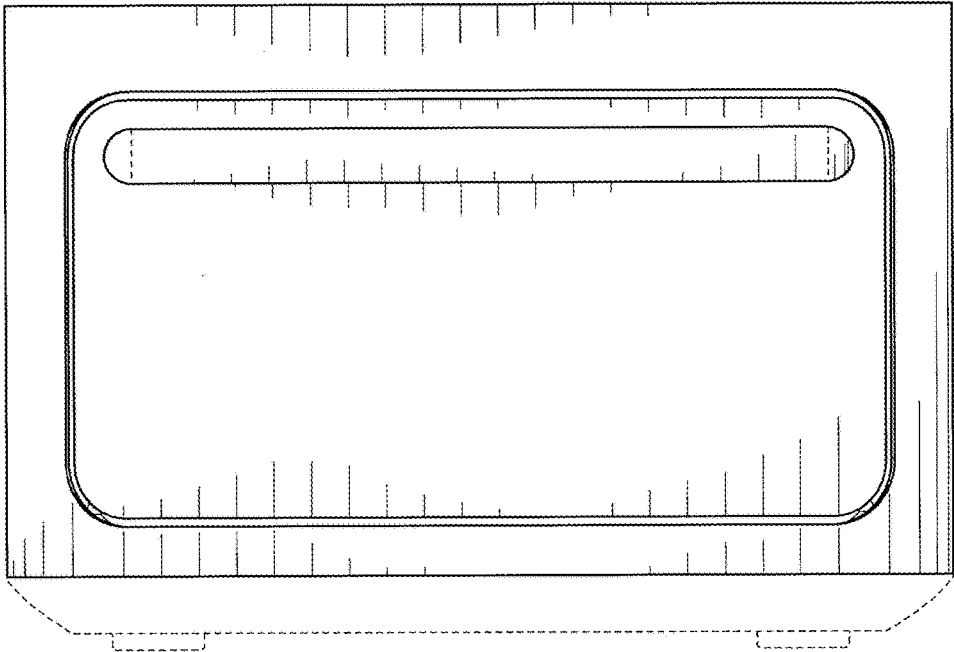


FIG. 3

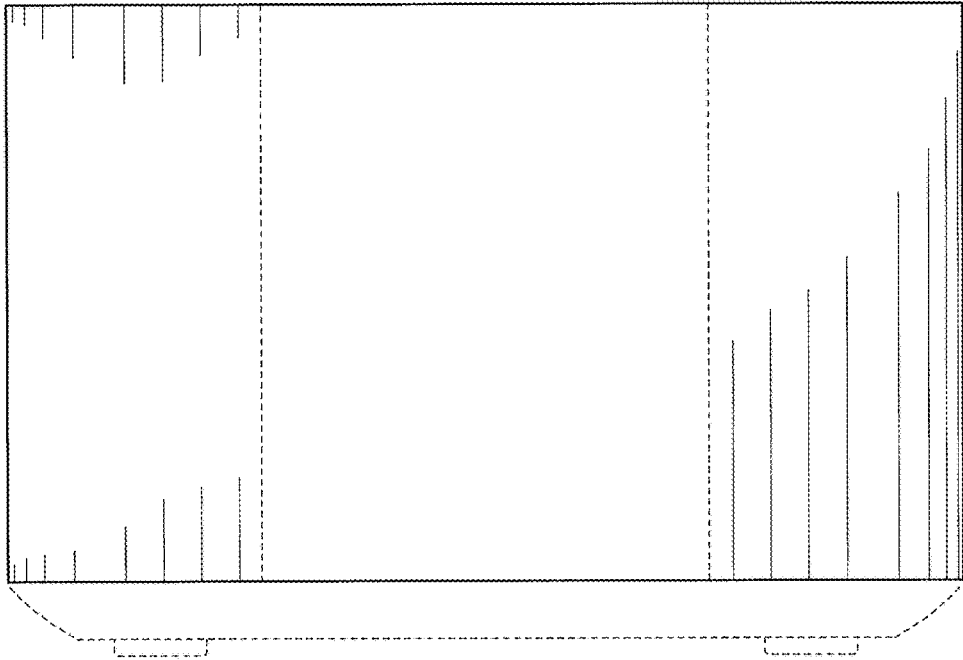


FIG. 4

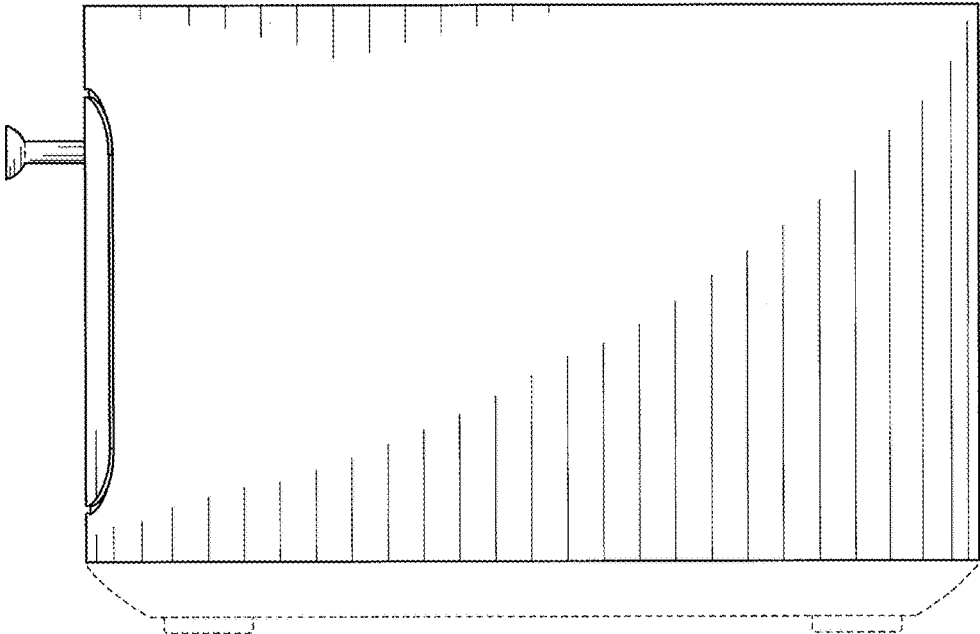


FIG. 5

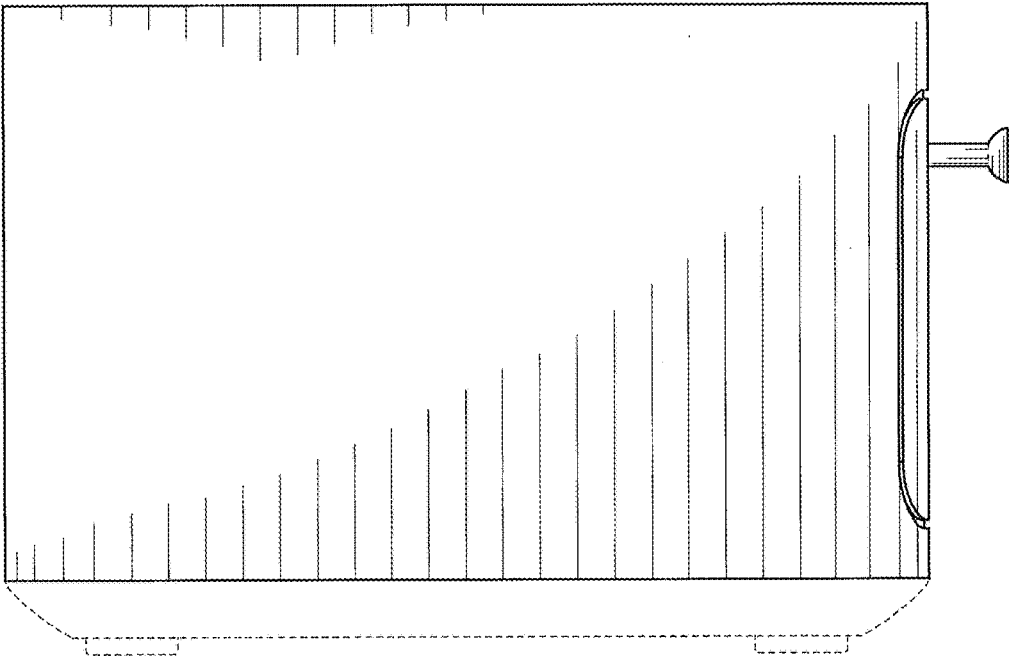


FIG. 6

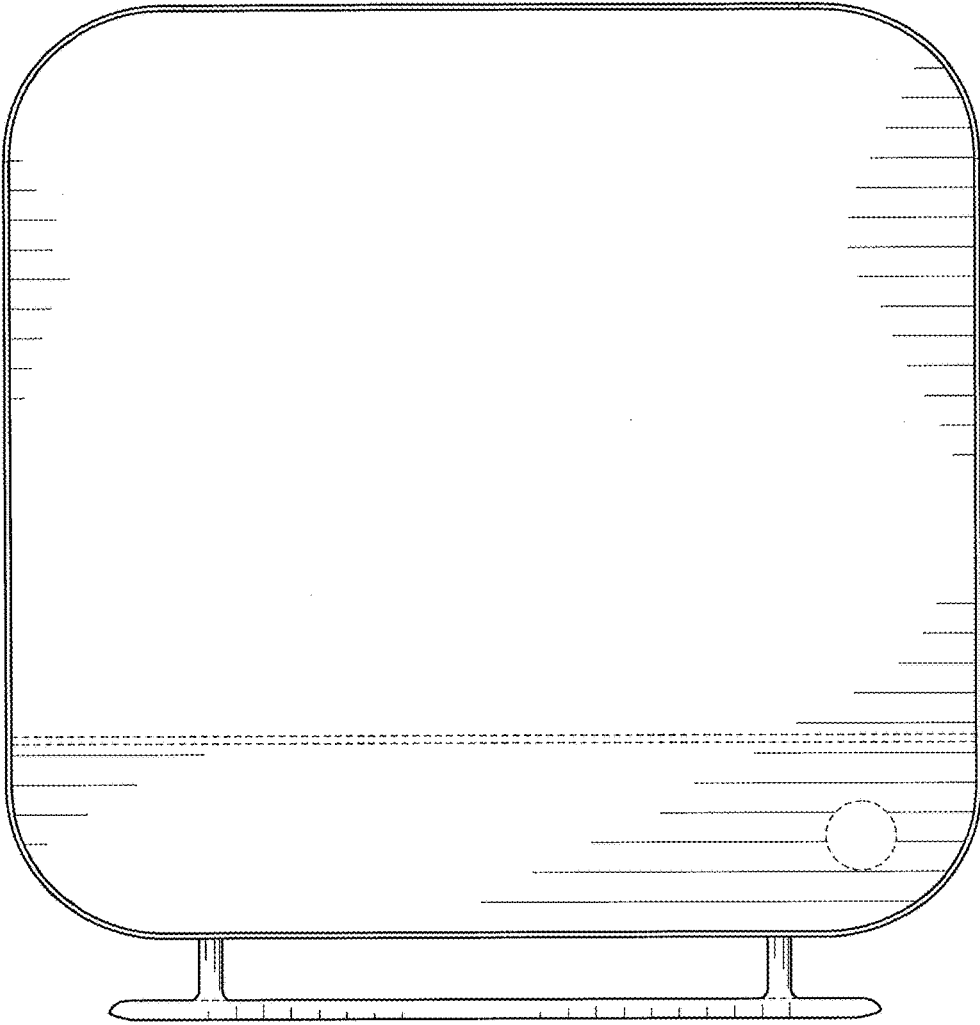


FIG. 7



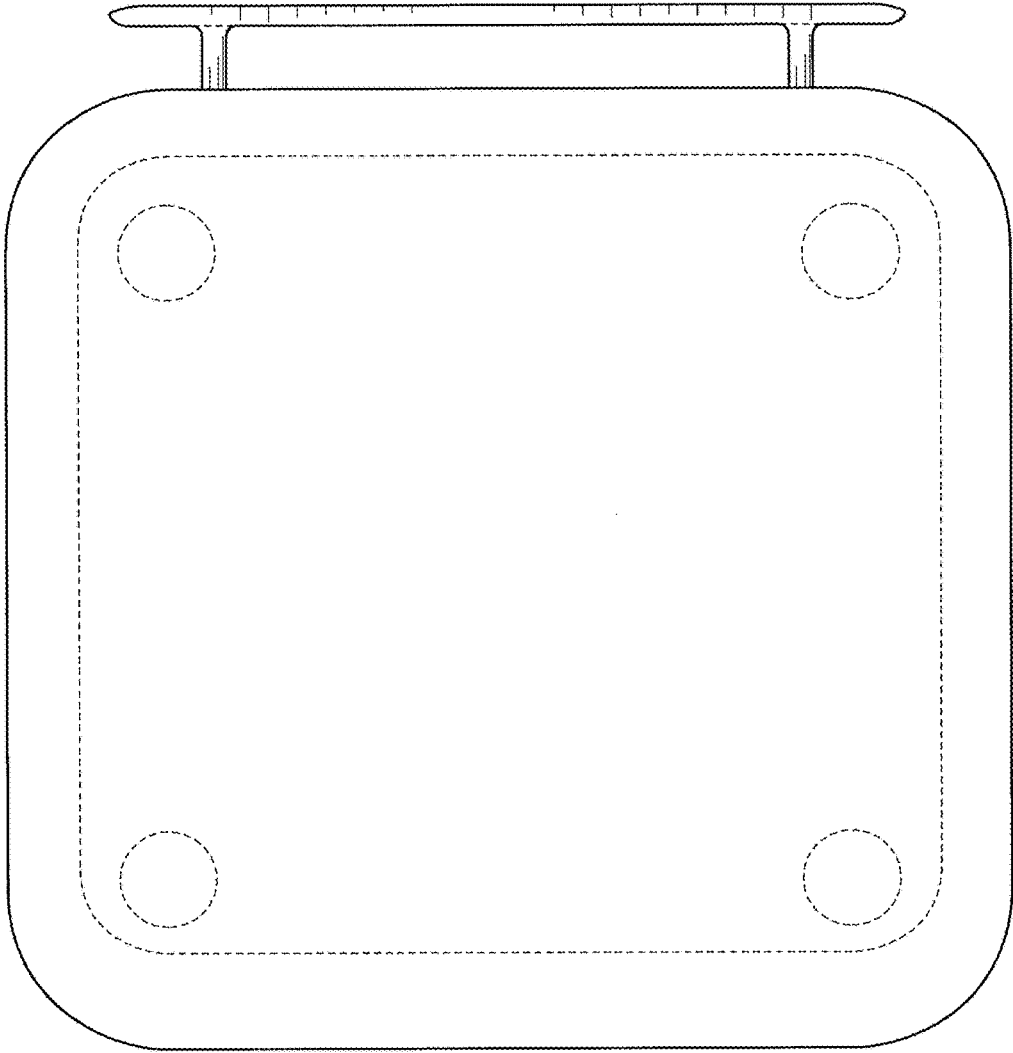


FIG. 8