



US00D937733S

(12) **United States Design Patent**
Ranum

(10) **Patent No.:** **US D937,733 S**

(45) **Date of Patent:** **** Dec. 7, 2021**

(54) **WHEEL**

(71) Applicant: **Wheel Pros, LLC**, Greenwood Village, CO (US)

(72) Inventor: **Yuri Ranum**, Los Angeles, CA (US)

(**) Term: **15 Years**

(21) Appl. No.: **29/750,796**

(22) Filed: **Sep. 16, 2020**

(51) **LOC (13) Cl.** **12-16**

(52) **U.S. Cl.**
USPC **D12/209**

(58) **Field of Classification Search**
USPC D12/204–213; D21/563
CPC B60B 7/00; B60B 7/02; B60B 7/04; B60B 7/01; B60B 7/06; B60B 3/02; B60B 3/04; B60B 3/06; B60B 3/10; B60B 1/00; B60B 1/08; B60B 1/10; B60B 1/12
See application file for complete search history.

D504,859 S	5/2005	Sulahian	
D505,374 S	5/2005	Aleman	
D510,307 S	10/2005	Howes	
D523,797 S	6/2006	Gallert	
D524,212 S	7/2006	Phillips	
D524,220 S	7/2006	Scheu	
D524,315 S	7/2006	Reusing et al.	
D528,495 S	9/2006	Truebsbach	
D542,209 S	5/2007	Pfeiffer	
D549,148 S	8/2007	Buschmann	
D569,777 S	5/2008	Chung	
D577,650 S	9/2008	Chung	
D579,845 S	11/2008	Chung	
D582,831 S	12/2008	Musser	
D596,009 S	7/2009	Sawhney et al.	
D598,357 S	8/2009	Chung	
D617,723 S	6/2010	Zhao	
D622,202 S *	8/2010	Zhao	D12/211
D623,109 S	9/2010	Markefka	
D635,903 S	4/2011	Zhang	
D642,105 S *	7/2011	Chung	D12/209
D654,007 S	2/2012	Nissl	
D654,420 S	2/2012	Guay	
D660,771 S	5/2012	Mueller-Stolz	
D669,009 S	10/2012	Chung	
D686,961 S	7/2013	Chung	
D695,193 S	12/2013	Kong	

(Continued)

(56) **References Cited**

U.S. PATENT DOCUMENTS

D291,796 S	9/1987	Reid	
D361,975 S	9/1995	Weld	
D391,216 S	2/1998	Ballmann	
D408,775 S	4/1999	Shikado	
D453,492 S	2/2002	Laengerer	
D455,698 S	4/2002	Chung	
D467,212 S	12/2002	Noriega	
D470,094 S	2/2003	van Hooydonk	
D480,036 S	9/2003	Laengerer	
D482,996 S	12/2003	Sulahian	
D492,925 S	7/2004	Fitzgerald	
D496,317 S	9/2004	Kataoka	
D499,684 S	12/2004	Cheng	
D500,978 S *	1/2005	Echazabal	D12/209
D502,438 S	3/2005	Weld	

Primary Examiner — Stacia A Cadmus

(74) *Attorney, Agent, or Firm* — Eric Hanscom

(57) **CLAIM**

The ornamental design for a wheel, as shown and described.

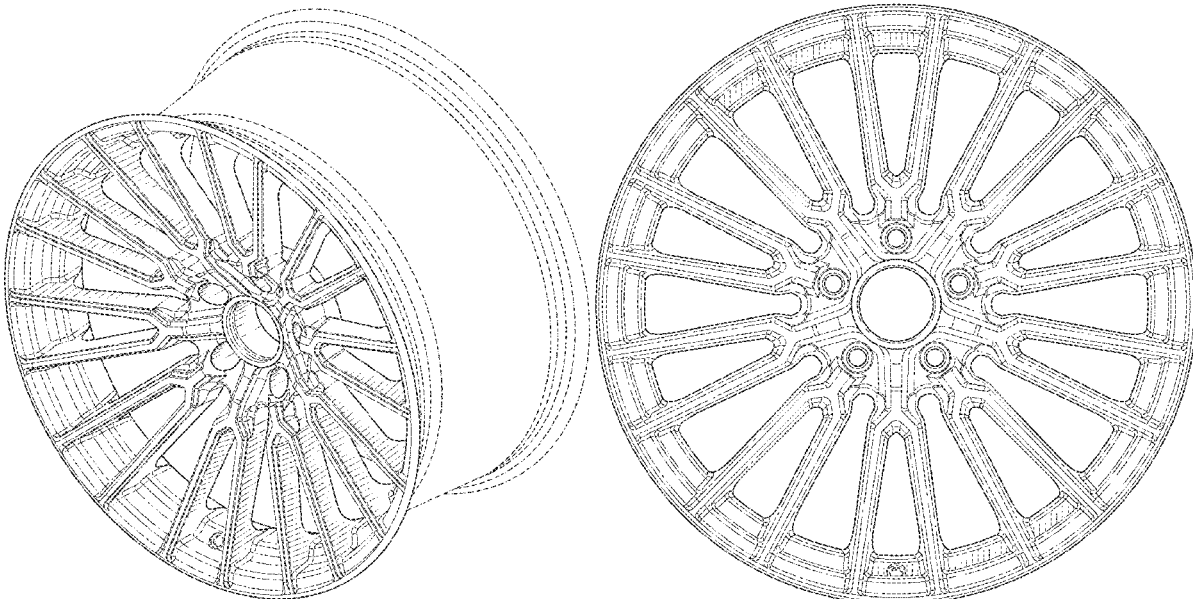
DESCRIPTION

FIG. 1 is a perspective view of a wheel showing my new design; and,

FIG. 2 is a front view thereof.

In the drawings, the broken lines depict portions of the vehicle wheel that form no part of the claimed design.

1 Claim, 2 Drawing Sheets



(56)

References Cited

U.S. PATENT DOCUMENTS

D698,298 S	1/2014	Cortes		D824,316 S	7/2018	Tran	
D698,300 S	1/2014	Chung		D826,827 S	8/2018	Tran	
D702,172 S	4/2014	Chung		D833,360 S	11/2018	Kong	
D704,117 S	5/2014	Chung		D835,023 S	12/2018	Tran	
D704,617 S	5/2014	Chung		D837,717 S	* 1/2019	Ranum	D12/209
D706,197 S	6/2014	Chung		D837,719 S	* 1/2019	Kraljevic	D12/211
D707,167 S	6/2014	Chung		D838,223 S	1/2019	Chung	
D709,020 S	7/2014	Chung		D840,900 S	2/2019	Lickliter	
D713,316 S	9/2014	Song		D840,901 S	2/2019	Lickliter	
D714,207 S	9/2014	Kim		D840,902 S	2/2019	Lickliter	
D717,709 S	11/2014	Valencia Pollex		D849,655 S	5/2019	Kong	
D719,893 S	12/2014	Kim		D850,349 S	6/2019	Lickliter	
D727,828 S	* 4/2015	Amezketta	D12/211	D852,706 S	7/2019	Tran	
D731,946 S	6/2015	Chung		D855,538 S	* 8/2019	Zhao	D12/209
D742,293 S	11/2015	Chung		D857,589 S	* 8/2019	Valencia Pollex	D12/209
D753,046 S	4/2016	Liffick		D860,899 S	9/2019	Lickliter	
D756,882 S	5/2016	Tirado		D860,900 S	9/2019	Lickliter	
D760,636 S	* 7/2016	Kolb	D12/211	D860,901 S	9/2019	Lickliter	
D766,805 S	9/2016	Chung		D862,341 S	10/2019	Kong	
D769,785 S	10/2016	Wells		D875,015 S	* 2/2020	Shigihara	D12/205
D780,655 S	3/2017	Trim		D878,998 S	* 3/2020	Liu	D12/209
D780,661 S	* 3/2017	Zhao	D12/211	D882,485 S	* 4/2020	Woodhouse	D12/209
D787,415 S	* 5/2017	Juergens	D12/211	D886,704 S	* 6/2020	Williams	D12/209
D790,429 S	* 6/2017	Juergens	D12/211	D887,940 S	* 6/2020	Preyss	D12/209
D794,531 S	* 8/2017	Zhao	D12/211	D893,386 S	8/2020	Chung	
D798,786 S	10/2017	Chung		D896,729 S	9/2020	Chung	
D798,789 S	10/2017	Kong		D897,926 S	10/2020	Chung	
D799,395 S	10/2017	Chung		D899,999 S	10/2020	Kong	
D800,633 S	10/2017	Kong		D904,271 S	12/2020	Henderson	
D802,512 S	11/2017	Kong		D904,272 S	12/2020	Lickliter	
D805,454 S	12/2017	Kong		D906,939 S	* 1/2021	Ma	D12/211
D805,455 S	12/2017	Kong		D909,272 S	2/2021	Chung	
D807,805 S	1/2018	Caldwell		D910,525 S	2/2021	Tran	
D808,876 S	1/2018	Caldwell		D911,245 S	2/2021	Chung	
D808,883 S	* 1/2018	Chung	D12/211	D912,589 S	3/2021	Hale, Jr.	
D817,845 S	5/2018	Guidry		D912,591 S	3/2021	Tran	
D821,284 S	6/2018	Tran		D918,810 S	5/2021	Lickliter	
				D922,928 S	6/2021	Kong	
				D927,386 S	8/2021	Lickliter	

* cited by examiner

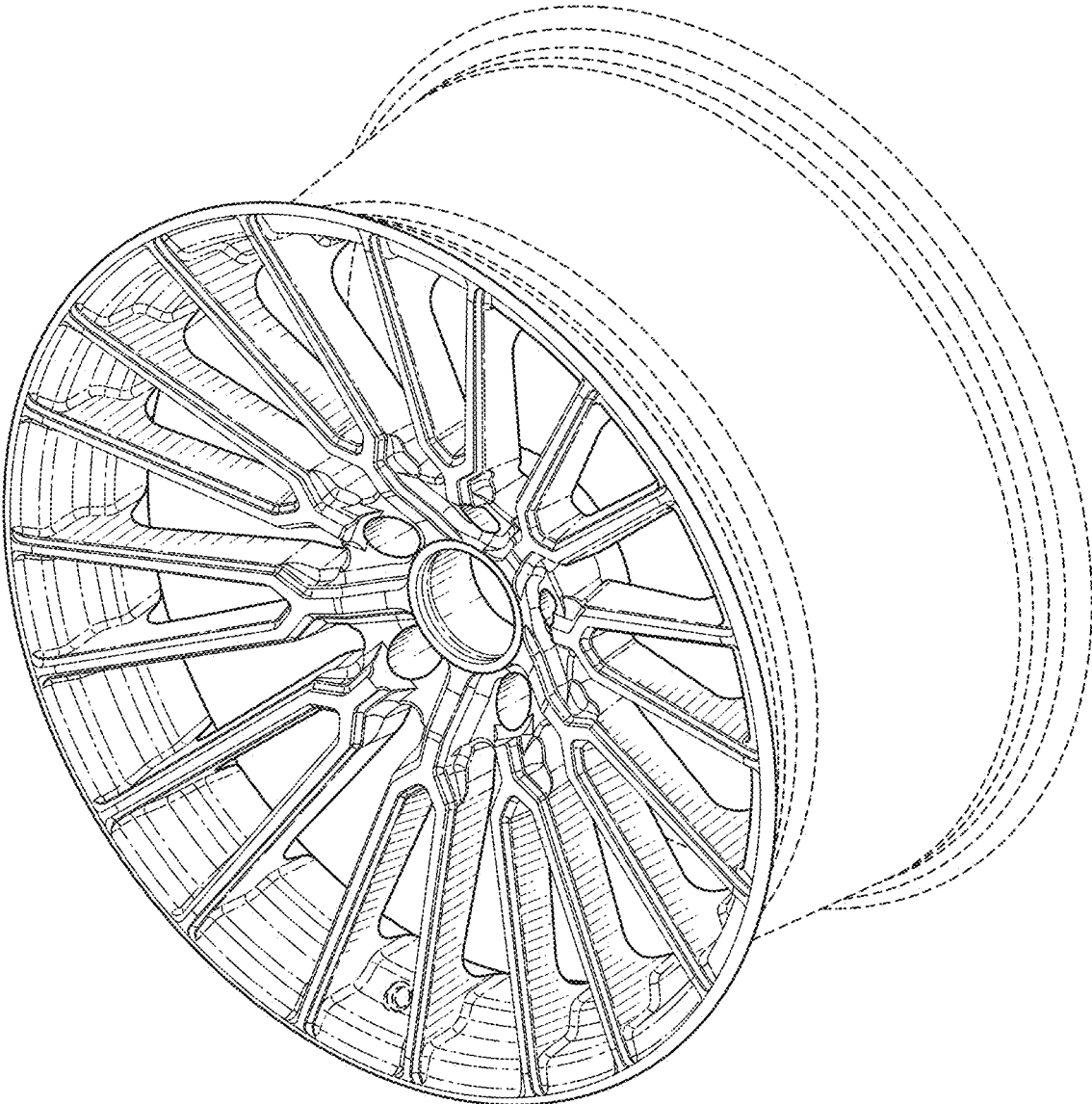


FIG. 1

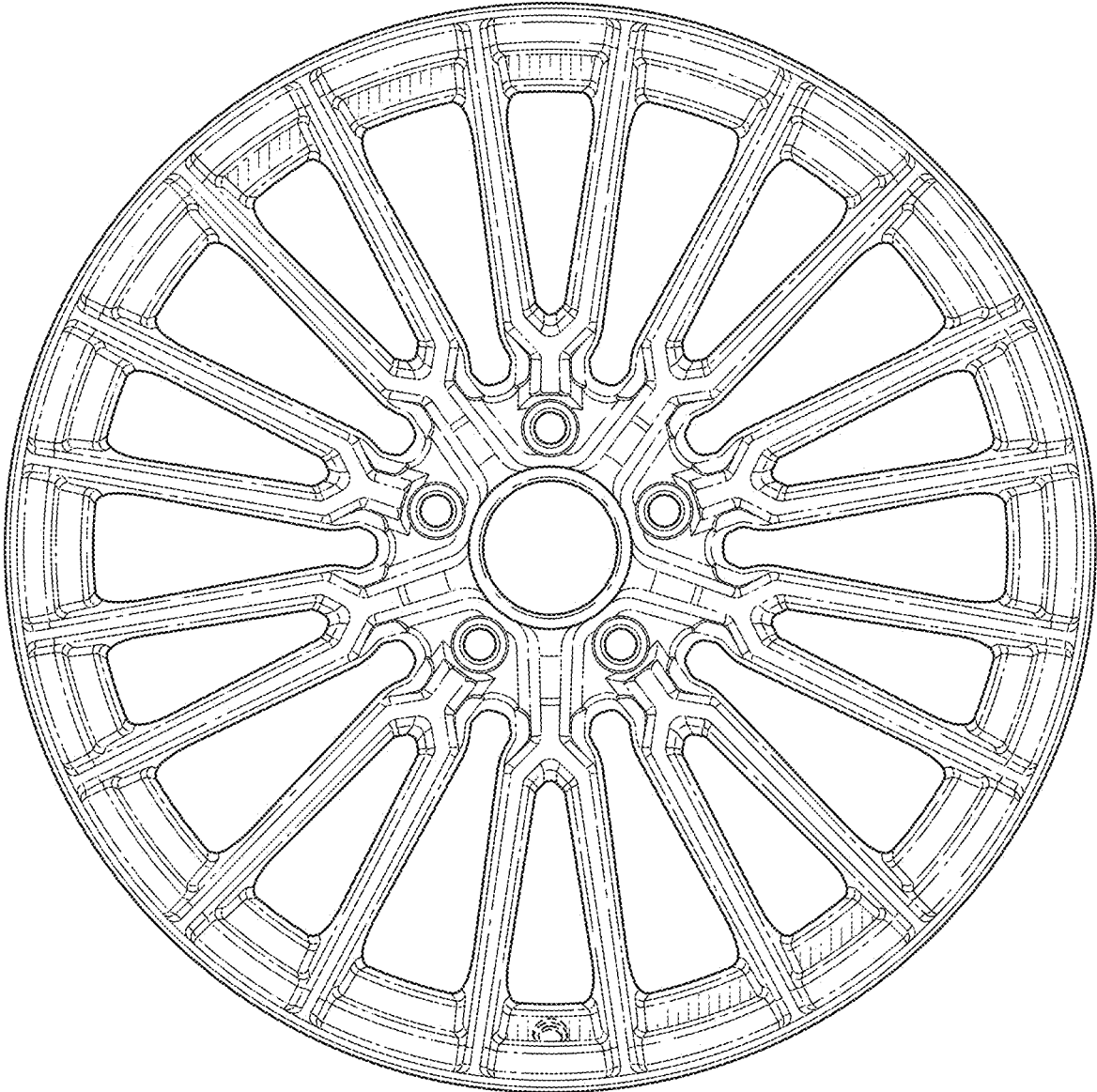


FIG. 2