



INTERNATIONAL APPLICATION PUBLISHED UNDER THE PATENT COOPERATION TREATY (PCT)

<p>(51) International Patent Classification ⁶ : A61B 17/36, A61M 37/00</p>	<p>A1</p>	<p>(11) International Publication Number: WO 00/12018</p> <p>(43) International Publication Date: 9 March 2000 (09.03.00)</p>												
<p>(21) International Application Number: PCT/US99/19561</p> <p>(22) International Filing Date: 25 August 1999 (25.08.99)</p> <p>(30) Priority Data:</p> <table border="0"> <tr> <td>09/140,017</td> <td>26 August 1998 (26.08.98)</td> <td>US</td> </tr> <tr> <td>09/187,384</td> <td>6 November 1998 (06.11.98)</td> <td>US</td> </tr> <tr> <td>09/188,083</td> <td>6 November 1998 (06.11.98)</td> <td>US</td> </tr> <tr> <td>09/283,535</td> <td>1 April 1999 (01.04.99)</td> <td>US</td> </tr> </table> <p>(71) Applicant (for all designated States except US): ADVANCED CLOSURE SYSTEMS, INC. [US/US]; 735 Palomar Avenue, Sunnyvale, CA 94086 (US).</p> <p>(72) Inventors; and</p> <p>(75) Inventors/Applicants (for US only): CRUISE, Gregory, M. [US/US]; Apartment A3003, 39939 Stevenson Common, Fremont, CA 94538 (US). HNOJEWYJ, Olexander [US/US]; 13925 Trinity Avenue, Saratoga, CA 95070 (US). EDWARDS, Stuart, D. [US/US]; 658 Westridge Drive, Portola Valley, CA 94028 (US). GOUGH, Edward [US/US]; 134 Crestview Drive, Sam Carlos Hills, CA 94070 (US).</p> <p>(74) Agents: RYAN, Daniel, D. et al.; 633 West Wisconsin Avenue, Milwaukee, WI 53203 (US).</p>		09/140,017	26 August 1998 (26.08.98)	US	09/187,384	6 November 1998 (06.11.98)	US	09/188,083	6 November 1998 (06.11.98)	US	09/283,535	1 April 1999 (01.04.99)	US	<p>(81) Designated States: AL, AM, AT, AU, AZ, BA, BB, BG, BR, BY, CA, CH, CN, CU, CZ, DE, DK, EE, ES, FI, GB, GD, GE, GH, GM, HR, HU, ID, IL, IN, IS, JP, KE, KG, KP, KR, KZ, LC, LK, LR, LS, LT, LU, LV, MD, MG, MK, MN, MW, MX, NO, NZ, PL, PT, RO, RU, SD, SE, SG, SI, SK, SL, TJ, TM, TR, TT, UA, UG, US, UZ, VN, YU, ZW, ARIPO patent (GH, GM, KE, LS, MW, SD, SL, SZ, UG, ZW), Eurasian patent (AM, AZ, BY, KG, KZ, MD, RU, TJ, TM), European patent (AT, BE, CH, CY, DE, DK, ES, FI, FR, GB, GR, IE, IT, LU, MC, NL, PT, SE), OAPI patent (BF, BJ, CF, CG, CI, CM, GA, GN, GW, ML, MR, NE, SN, TD, TG).</p> <p>Published With international search report.</p>
09/140,017	26 August 1998 (26.08.98)	US												
09/187,384	6 November 1998 (06.11.98)	US												
09/188,083	6 November 1998 (06.11.98)	US												
09/283,535	1 April 1999 (01.04.99)	US												
<p>(54) Title: COMPOSITIONS, SYSTEMS, AND METHODS FOR CREATING IN SITU, CHEMICALLY CROSS-LINKED, MECHANICAL BARRIERS OR COVERING STRUCTURES</p> <p>(57) Abstract</p> <p>A biocompatible and biodegradable material is applied to a tissue region, e.g., to seal a vascular puncture site, or to arrest the flow of blood or fluid from body tissue, or to arrest diffuse bleeding. The material preferably includes a protein comprising recombinant or natural serum albumin, which is mixed with a polymer that comprises poly(ethylene) glycol (PEG), and, most preferably, a multi-armed PEG polymer.</p>														

FOR THE PURPOSES OF INFORMATION ONLY

Codes used to identify States party to the PCT on the front pages of pamphlets publishing international applications under the PCT.

AL	Albania	ES	Spain	LS	Lesotho	SI	Slovenia
AM	Armenia	FI	Finland	LT	Lithuania	SK	Slovakia
AT	Austria	FR	France	LU	Luxembourg	SN	Senegal
AU	Australia	GA	Gabon	LV	Latvia	SZ	Swaziland
AZ	Azerbaijan	GB	United Kingdom	MC	Monaco	TD	Chad
BA	Bosnia and Herzegovina	GE	Georgia	MD	Republic of Moldova	TG	Togo
BB	Barbados	GH	Ghana	MG	Madagascar	TJ	Tajikistan
BE	Belgium	GN	Guinea	MK	The former Yugoslav Republic of Macedonia	TM	Turkmenistan
BF	Burkina Faso	GR	Greece	ML	Mali	TR	Turkey
BG	Bulgaria	HU	Hungary	MN	Mongolia	TT	Trinidad and Tobago
BJ	Benin	IE	Ireland	MR	Mauritania	UA	Ukraine
BR	Brazil	IL	Israel	MW	Malawi	UG	Uganda
BY	Belarus	IS	Iceland	MX	Mexico	US	United States of America
CA	Canada	IT	Italy	NE	Niger	UZ	Uzbekistan
CF	Central African Republic	JP	Japan	NL	Netherlands	VN	Viet Nam
CG	Congo	KE	Kenya	NO	Norway	YU	Yugoslavia
CH	Switzerland	KG	Kyrgyzstan	NZ	New Zealand	ZW	Zimbabwe
CI	Côte d'Ivoire	KP	Democratic People's Republic of Korea	PL	Poland		
CM	Cameroon	KR	Republic of Korea	PT	Portugal		
CN	China	KZ	Kazakstan	RO	Romania		
CU	Cuba	LC	Saint Lucia	RU	Russian Federation		
CZ	Czech Republic	LI	Liechtenstein	SD	Sudan		
DE	Germany	LK	Sri Lanka	SE	Sweden		
DK	Denmark	LR	Liberia	SG	Singapore		
EE	Estonia						

- 1 -

**COMPOSITIONS, SYSTEMS, AND METHODS FOR
CREATING IN SITU, CHEMICALLY CROSS-LINKED,
MECHANICAL BARRIERS OR COVERING STRUCTURES**
FIELD OF THE INVENTION

5 The invention generally relates to the
formation and application of barrier materials in
a tissue region, e.g., to close vascular puncture
sites in humans and other animals. The invention
also generally relates systems and methods for
10 arresting or controlling the bleeding or leakage of
fluid in body tissues, e.g., diffuse organ bleeding,
lung punctures, anastomotic leakage, and the like.

BACKGROUND OF THE INVENTION

15 There are over seven million diagnostic and
therapeutic coronary interventions performed each
year. By far, the majority of these interventions
are performed using percutaneous puncture of the
femoral artery to gain access to the arterial
system.

20 Once the intervention is concluded, the
vascular puncture site has to be sealed to prevent
bleeding, while natural healing processes close the
puncture site. Conventional management of the
puncture site has typically involved external
25 compression using, e.g., digital pressure, C-
clamps, or sandbags, followed by immobilization and
bed rest. Proper placement of compression devices
to stop bleeding calls for trained clinical skills.
Likewise, strong nursing skills are required to
30 monitor for rebleeding. The patient can suffer local

discomfort, which may exceed the pain associated with the diagnostic or therapeutic procedure requiring vascular access in the first instance. Complications are not uncommon, which can lead to
5 prolonged hospitalization, transfusion, and direct surgical repair of the puncture site.

Various alternative methods for sealing a vascular puncture site have been tried. For example, collagen plugs have been used to occlude the
10 puncture orifice. The collagen plugs are intended to activate platelets and accelerate the natural healing process. Holding the collagen seals in place using an anchor located inside the artery has also been tried. Still, patient immobilization is
15 required until clot formation stabilizes the site. Other problems, such as distal embolization of the collagen, rebleeding, and the need for external pressure to achieve hemostatis, also persist.

As another example, devices that surgically suture the puncture site percutaneously have also
20 been used. The devices require the practice of fine surgical skills to place four needles at a precise distance from the edges of the puncture orifice and to form an array of suture knots, which are
25 tightened, resulting in puncture edge apposition.

There remains a need for fast and straightforward mechanical and chemical systems and methods to close vascular puncture sites and to accelerate the patient's return to ambulatory status
30 without pain and prolonged immobilization.

Bleeding may also be caused by trauma, e.g. splenic, kidney, and liver lacerations, or may be caused during surgery, e.g. tumor removal or bone bleeding. Hemostatic barriers are routinely called
35 upon to control this type of bleeding.

- 3 -

Bleeding is conventionally controlled by the application of solid sheets of material, e.g. gauze, Gelfoam™ material, or Surgicel™ material. These materials can be soaked with a hemostatic agent, such as thrombin or epinephrine, or sprayable formulations such as fibrin glue.

Conventional treatment modalities require the use of these hemostatic agents in conjunction with pressure to achieve hemostasis. The various hemostatic agents can include coagulation factors (e.g. thrombin), platelet activators (e.g. collagen), vasoconstrictors (epinephrine), or fibrinolytic inhibitors.

In some instances, conventional treatments achieve hemostasis in a clinically acceptable time. Still, there are a number of drawbacks.

For example, many treatment modalities consist of bovine collagen and bovine thrombin to cause the desired clotting action. These products have the potential for the transmission to humans of bovine spongiform encephalopathy (also called "Mad Cow Disease"). Regardless, the bovine thrombin marketed today is relatively impure, and these impurities can lead to complications in certain patient populations. Furthermore, fibrin glue, generally composed of purified fibrinogen and thrombin from pooled human blood, has safety and efficacy concerns as well. Additionally, many products do not achieve hemostasis in a clinically acceptable period, particularly in cases of brisk bleeding.

In addition to hemostatic agents, surgical sealants are also commonly used to control bleeding or fluid leakage along anastomoses formed by suture or staple lines, e.g., between blood vessels, bowel,

- 4 -

or lung tissue. In cases of blood leakage, fibrin glue can be utilized to seal an anastomosis. Still, fibrin glue's lack of adhesion to moist tissue, safety concerns, and cost precludes its widespread use as a surgical sealant for blood vessel anastomoses.

Conventional hemostatic agents and surgical sealants for blood vessel anastomoses achieve hemostasis using the application of pressure and by activating the coagulation pathway of the blood. Yet, many of the surgeries where hemostatic barriers and surgical sealants are required also require the administration of anti-coagulation therapies, such as heparin. The hemostatic barrier or surgical sealant, which is promoting coagulation, is hindered by the effect of the heparin, which is preventing coagulation.

Despite conventional treatment modalities for hemostatic barriers and surgical sealants, there is a need for a biomaterial that safely, quickly, and reliably arrests or controls fluid leakage in body tissues through the application of pressure and without interaction with the patient's coagulation pathways.

SUMMARY OF THE INVENTION

The invention provides biocompatible and biodegradable matrix materials which can be applied, e.g., to seal a vascular puncture site, to arrest the flow of blood or fluid from body tissue, or to arrest diffuse bleeding.

One embodiment provides a compound, which is chemically cross-linked without use of an enzyme to form a non-liquid mechanical barrier, which can be used, e.g., to seal a vascular puncture site. In one embodiment, the compound comprises a mixture of

- 5 -

a first liquid component and a second liquid component chemically cross-linked, without use of an enzyme, to form the non-liquid mechanical matrix. In one embodiment, the compound comprising a mixture of
5 a protein solution and a polymer solution including a derivative of a hydrophilic polymer with a functionality of at least three, wherein, upon mixing, the protein solution and the polymer solution cross-link to form a mechanical non-liquid
10 matrix.

Another embodiment provides a hydrogel compound free of a hemostatic agent, which can be applied to provide a covering structure that, e.g., arrests the flow of blood or fluid from body tissue or arrests diffuse bleeding.
15

Another embodiment provides a biocompatible and biodegradable material, which can be applied, e.g., to arrest the flow of blood or to seal tissue, comprising a mixture of a protein solution and a
20 polymer solution including a derivative of a hydrophilic polymer with a functionality of at least three, wherein, upon mixing, the protein solution and the polymer solution cross-link to form a mechanical non-liquid covering structure.

Another embodiment provides a system for applying in contact with a tissue region a biocompatible, non-liquid matrix. The system comprises a delivery device defining a fluid delivery channel movable into association with the
25 tissue region. The system also includes a first dispenser containing a protein solution, and a second dispenser containing a polymer solution including a derivative of a hydrophilic polymer with a functionality of at least three. The system
30 includes an introducer attachable in communication
35

- 6 -

with the fluid delivery channel and including a holder to mutually support the first and second dispensers while conveying the protein solution and polymer solution from the dispensers into the fluid delivery channel for mixing as a result of flow through the channel, wherein, upon mixing, the protein solution and the polymer solution cross-link to form the non-liquid matrix.

Features and advantages of the inventions are set forth in the following Description and Drawings, as well as in the appended Claims.

BRIEF DESCRIPTION OF THE DRAWINGS

Fig. 1 is a plan view of a system for creating a mechanical barrier to seal a vascular puncture site, showing the components of the system prepackaged in a site access kit and a barrier component kit;

Fig. 2 is an exploded plan view of the contents of the site access kit and barrier component kit shown in Fig. 1, illustrating their assembly for use;

Fig. 3 is an enlarged view of the distal end of the catheter tube of a catheter device contained in the site access kit shown in Fig. 1, showing two deformable regions in a relaxed condition for deployment to a vascular puncture site;

Fig. 4 is an enlarged view of the distal end of the catheter tube shown in Fig. 3, illustrating two deformable regions in an enlarged condition, ready for use at the vascular puncture site;

Fig. 5 is a schematic perspective view of the distal catheter end in the relaxed condition shown in Fig. 3, when deployed at a vascular

puncture site;

Fig. 6 is a schematic perspective view of the distal catheter end in the enlarged condition shown in Fig. 4, when deployed at a vascular
5 puncture site;

Fig. 7A is an exploded, perspective view of the site access kit shown in Fig. 1;

Fig. 7B is an exploded, perspective view of the barrier component kit shown in Fig. 1;

10 Figs. 8A to 8D are perspective views showing the manipulation of syringes contained in the barrier component kit shown in Fig. 7B, to create a liquid PEG solution for use with the system;

15 Fig. 9 is a perspective view of the barrier material introducer/mixer contained in the site access kit shown in Fig. 1, with the syringes containing the liquid albumin solution and the liquid PEG solution (mixed as shown in Figs. 8A to
20 8D) mounted and ready for use;

Fig. 10 is a perspective view of the barrier material introducer/mixer shown in Fig. 9 attached for operation with the catheter device contained in the site access kit shown in Fig. 1;

25 Fig. 11 is a schematic, perspective view of the vascular puncture site shown in Fig. 6, as the barrier material introducer/mixer is being operated to convey a liquid mixture of albumin and PEG solution into a tissue region outside the puncture
30 site;

Fig. 12 is a schematic, perspective view of the vascular puncture site shown in Fig. 11, as the liquid mixture of albumin and PEG solution cross-links to form a non-liquid barrier network in the
35 tissue region outside the puncture site;

Fig. 13 is a schematic, perspective view of the vascular puncture site shown in Fig. 12, with the non-liquid barrier network remaining in the tissue region outside the puncture site, to seal the puncture site, after withdrawal of the catheter device;

Fig. 14 is a plan view of an alternative embodiment of a catheter device which can be used in association with the system shown in Fig. 1, with the deformable region on the distal end shown in a collapsed condition;

Fig. 15 is an enlarged view of the distal end of the catheter device shown in Fig. 14, with the deformable region in an expanded condition;

Fig. 16 is an enlarged sectional view of the distal end of the catheter device shown in Fig. 15;

Fig. 17 is a schematic perspective view of the distal end of the catheter device shown in Fig. 14, when deployed in the collapsed condition at a vascular puncture site;

Fig. 18 is a schematic perspective view of the distal end of the catheter device shown in Fig. 17, when expanded for use at the vascular puncture site;

Fig. 19 is a schematic perspective view of the distal end of the catheter device shown in Fig. 18, as barrier material is dispensed in liquid form in tissue outside the vascular puncture site;

Fig. 20 is the non-liquid barrier network formed after the liquid barrier material cross-links *in situ* in tissue to seal the vascular puncture site;

Fig. 21 is a perspective view of the barrier material introducer/mixer shown in Fig. 9

when used in association with a sprayer or a cannula, to dispense barrier material without use of a catheter device;

5 Fig. 22 is an enlarged sectional view showing the interior of a mixing chamber usable in association with the barrier material introducer shown in Fig. 9, the interior containing an array of baffle funnels with staggered interruptions to establish a circular flow path through the chamber
10 for the purpose of accelerating mixing of the liquid components of the barrier material;

Fig. 23 is an enlarged sectional view showing the interior of a mixing chamber usable in association with the barrier material introducer
15 shown in Fig. 9, the interior containing an array of baffle walls with staggered interruptions to establish a zig-zagging flow path through the chamber for the purpose of accelerating mixing of the liquid components of the barrier material;

20 Fig. 24 is an enlarged sectional view showing the interior of a mixing chamber usable in association with the barrier material introducer shown in Fig. 9, the interior containing a spiral baffle to establish a circular flow path through the
25 chamber for the purpose of accelerating mixing of the liquid components of the barrier material;

Fig. 25 is an enlarged sectional view showing the interior of a mixing chamber usable in association with the barrier material introducer
30 shown in Fig. 9, the interior containing an array of staggered baffle walls to establish a cascading flow path through the chamber for the purpose of accelerating mixing of the liquid components of the barrier material;

35 Fig. 26 is an enlarged sectional view

- 10 -

showing the interior of a mixing chamber usable in association with the barrier material introducer shown in Fig. 9, the interior establishing tangential flow paths within through the chamber for the purpose of accelerating mixing of the liquid components of the barrier material;

5 Fig. 27 is an enlarged sectional view showing the interior of a mixing chamber usable in association with the barrier material introducer shown in Fig. 9, the interior containing multiple, independent inlet ports to convey liquid components into the chamber for the purpose of accelerating mixing of the liquid components of the barrier material;

10 Fig. 28 is a side elevation view of an alternative embodiment of an introducer/mixer, which can be used in association with the system shown in Fig. 1;

15 Fig. 29 is a top view of an alternative embodiment of an introducer/mixer of the type shown in Fig. 28, showing the presence of skirts to resist side-to-side deflection of syringes supported by the introducer/mixer;

20 Fig. 30 is a side elevation view of an other alternative embodiment of an introducer/mixer, which can be used in association with the system shown in Fig. 1;

25 Fig. 31 is a plan view of a system for arresting or controlling bleeding or leakage of fluid in body tissue, showing the components of the system prepackaged in sterile kits;

30 Fig. 32 is a diagrammatic view of a compromised tissue region, upon which a covering structure that embodies the features of the invention has been dispersed to arrest or control

35

bleeding;

Fig. 33 is a side view of the covering structure shown in Fig. 32, taken generally along line 33-33 in Fig. 32;

5 Fig. 34 is a side view of an introducer/mixer, with the syringes containing a liquid albumin solution and a liquid PEG solution mounted and ready for use, the introducer mixer having an attached mixing spray head to disperse the solutions to form the covering structure shown in Figs. 32 and 33;

10 Fig. 35 is a side view of an introducer/mixer, with the syringes containing a liquid albumin solution and a liquid PEG solution mounted and ready for use, the introducer mixer having an attached cannula to disperse the solutions to form the covering structure shown in Figs. 32 and 33;

15 Fig. 36A is an exploded, perspective view of the kit shown in Fig. 31 that contains the liquid and solid components and syringe dispensers for the covering structure;

20 Fig. 36B is an exploded, perspective view of the kit shown in Fig. 31 that contains the introducer/mixer shown in Figs. 34 and 35, which receives the syringes shown in Fig. 36A during use;

Figs. 37A, 37B, and 37C illustrate use of the system shown in Fig. 31 to control or arrest diffuse organ bleeding;

30 Figs. 38A, 38B, and 38C demonstrate use of the system shown in Fig. 31 to seal a puncture site in a lung;

Figs. 39A, 39B, and 39C illustrate use of the system shown in Fig. 31 to control or arrest bleeding through an anastomosis; and

35

- 12 -

Figs. 40A to 40D are perspective views showing the manipulation of syringes contained in the kit shown in Fig. 36A, to create a liquid PEG solution for use with the system shown in Fig. 31.

5 The invention may be embodied in several forms without departing from its spirit or essential characteristics. The scope of the invention is defined in the appended claims, rather than in the specific description preceding them. All embodi-
10 ments that fall within the meaning and range of equivalency of the claims are therefore intended to be embraced by the claims.

DETAILED DESCRIPTION OF THE PREFERRED EMBODIMENTS

I. SEALING VASCULAR PUNCTURE SITES

15 Fig. 1 shows a system 10 of functional instruments for sealing a vascular puncture site. As will be described in greater detail, the instruments of the system 10 are, during use, deployed in a purposeful manner to gain subcutaneous access to a
20 vascular puncture site. At the site, the instruments of the system 10 are manipulated to introduce an inert barrier material in liquid form outside the blood vessel at the puncture site. The material quickly transforms into a non-liquid structure *in*
25 *situ*, forming a barrier outside the vessel, which mechanically seals the puncture. The barrier exists long enough to prevent blood leakage while natural healing processes close the puncture site. The barrier is, over time, degraded by hydrolysis by in
30 the host body and cleared by the kidneys in the urine.

 As Fig. 1 shows, in the illustrated embodiment, the system 10 is consolidated in two functional kits 12 and 14.

35 The first kit 14 contains a vascular puncture

- 13 -

site access assembly 16. The purpose of the access assembly 16 is to gain subcutaneous access to the vascular puncture site for the purpose of delivering the fluid barrier material.

5 The second kit 14 contains a barrier component assembly 18. The purpose of the barrier component assembly 18 is to house the components of the fluid barrier material prior to use. As will be described in greater detail later, these components are mixed
10 and delivered by the access assembly 16 to the puncture site, forming the barrier.

The kits 12 and 14 can take various forms. In the illustrated embodiment, each kit 12 and 14 comprises a sterile, wrapped assembly, the details
15 of which will be discussed in greater detail later.

The Access Assembly

As Fig. 2 shows, the access assembly 16 comprises a catheter device 20 and a barrier material introducer/mixer 22.

20 1. The Catheter Device

The catheter device 20 includes a flexible catheter tube 24 having a proximal end 26 and a distal end 28. The catheter tube 24 can be constructed, for example, using standard flexible,
25 medical grade plastic materials, like vinyl, nylon, poly(ethylene), ionomer, poly(urethane), poly(amide), and poly(ethylene terephthalate). The distal end 28 has an outside diameter of, e.g., 4 Fr to 16 Fr. The proximal end 26 carries a handle
30 30 to facilitate gripping and maneuvering the catheter tube 24 by a physician.

As Fig. 3 shows, an interior lumen 32 extends through the catheter tube 24. The lumen accommodates passage of a conventional guide wire
35 40.

- 14 -

As will be described in greater detail later, the guide wire 40 typically will have been previously introduced subcutaneously, through a wall of the vessel, to guide passage of a desired therapeutic or diagnostic instrument into the vessel, e.g., to perform coronary angioplasty. After performing the intended procedure, the instrument is withdrawn, leaving the guide wire 40. As Fig. 5 shows, the distal end 28 of the catheter tube 24 is passed over the same guide wire 40 into the blood vessel. Manipulation of the distal end 28 closes the vascular puncture site and stops bleeding.

As Figs. 3 and 4 show, the distal end 28 of the catheter tube 24 includes a circumferentially spaced array of nozzles 34. The barrier material is conveyed in liquid form and dispensed in a circumferential manner through the nozzles 34 at the puncture site.

As Figs. 3 and 4 also show, the distal end 28 also includes a flexible, elongated leader 36, which extends distally beyond the nozzles 34. In use (see Fig. 5), the leader 36 is located inside the blood vessel immediately interior to the puncture site. In use (see Fig. 5), the array of nozzles 34 is located outside the blood vessel immediately exterior to the puncture site.

Referring again to Figs. 3 and 4, the distal end 28 also includes a first deformable region 38, which is located between the nozzles 34 and the leader 36. The region 38 normally presents a generally cylindrical, low profile condition (shown in Fig. 3), matching the leader 36. When in the low profile condition, the region 38 follows the leader 36 over the guide wire into the vessel (see Fig. 5).

The region 38 can be deformed into a radially

- 15 -

enlarged condition, which forms a positioner 42 (see Fig. 4). In use (see Fig. 6), the positioner 42 resists passage of the leader 36 back through the puncture site in response to rearward tension along the catheter tube 24, as shown by arrow 132 in Fig. 6. Moreover, as Fig. 6 shows, rearward tension along the catheter tube 24 seats the positioner 42 against the interior of vessel wall at the puncture site. The positioner 42 serves to position the nozzles 34 at a proper distance outside the vessel. The positioner 42 also serves to support the puncture site inside the vessel while the liquid barrier material is introduced outside the vessel through the nozzles 34.

Referring back to Figs. 3 and 4, a second deformable region 44 is spaced a distance proximal to the nozzles 34. Like the nozzles 34 (see Fig. 5), the deformable region 44 is intended, during use, to lay outside the vessel.

The deformable region 44 presents a normally, generally collapsed condition for deployment over the guide wire 40 (shown in Figs. 3 and 5). The deformable region 44 can be expanded into, e.g., an elliptical dam 46 (see Figs. 4 and 6). The dam 46 serves block proximal egress of the liquid barrier material conveyed through the nozzles 34.

The deformation of the regions 38 and 44 can be accomplished in various ways. In the illustrated embodiment, the leader 36 moves along a slide tube 48 (see Figs. 3 and 4) toward and away from the nozzles 34. A push-pull lever 50 on the handle 30 (shown in Fig. 2) is coupled by a stylet 52 to the leader 36 to affect axial movement of the leader 36 along the slide tube 48.

In this arrangement, the region 38 comprises a

- 16 -

generally elastic material surrounding the slide tube 48. The material is attached at one end to the leader 36 and at the other end to the catheter tube 24 near the nozzles 34. Drawing the leader 36 toward the nozzles 34 pushes against and radially deforms the material into the positioner 42. Advancement of the leader 36 away from the nozzles 34 relaxes the material.

In the illustrated embodiment, the second region 44 comprises an expandable balloon material attached about the catheter tube 24. The catheter tube 24 includes an interior lumen 56 (shown in Figs. 3 and 4), which communicates with the interior of the balloon material. A fitting 54 carried by the handle 30 (see Fig. 2) communicates with the lumen 56. The fitting 54 couples the lumen to an auxiliary syringe 126, which injects air under pressure through the lumen 56 into the space surrounded by the balloon material, causing the material to expand and form the dam 46.

2. Barrier Material Introducer/Mixer

As will be described in greater detail later, the barrier material is formed from two liquid components, which are mixed at the instant of use. The two components cross-link to form the non-liquid barrier.

Before mixing, the components are housed in sterile dispensing syringes 60 and 62 contained in the kit 14 (see Fig. 1). As Fig. 2 shows, the barrier material introducer/mixer 22 receives the two dispensing syringes 60 and 62 for use in association with the catheter device 20. The barrier material introducer/mixer 22 allows the physician to uniformly express the two components in a liquid state from the dispensing syringes 60 and 62.

- 17 -

The barrier material introducer/mixer 22 also mixes the components while flowing in the liquid state from the dispensing syringes 60 and 62. This obviates the need for static mixing prior to dispensing. This mixing of liquid components within a flow channel will, in shorthand, be called "channel-mixing."

To accomplish these functions (see Fig. 2), the barrier material introducer/mixer 22 includes syringe support 64. The support 64 includes side-by-side channels 66. Each channel 66 accommodates in a snap-friction-fit the barrel 78 of a conventional syringe of desired size, e.g., 3 cc (as Figs. 9 and 10 also show).

The barrier material introducer/mixer 22 also includes a syringe clip 68. The syringe clip 68 includes spaced apart walls 70 forming an interior race 72. As Figs. 9 and 10 show, the race 72 receives in a sliding friction fit the thumb rests 74 of the dispensing syringe pistons 76, in axial alignment with the syringe barrels 78 carried by the syringe support 64. The syringe clip 68 mechanically links the syringe pistons 76 together for common advancement inside their respective syringe barrels 78.

To facilitate handling (see Figs. 2, 9 and 10), the syringe support 64 includes opposed finger rests 80, and the syringe clip 68 includes a thumb rest 82. The orientation of these rests 80 and 82 parallel the orientation of the finger rests and thumb rests of a single syringe. The physician is thereby able to hold and operate multiple syringes 60 and 62 in the same way as a single syringe.

The barrier material introducer/mixer 22 also includes a joiner 84. The joiner 84 includes side

- 18 -

by side female luer fittings 86. The female luer fittings 86 each receives the threaded male luer fitting 88 at the dispensing end of the dispensing syringes 60 and 62. The female luer fittings 86 are axially aligned with the barrels 78 of the dispensing syringes 60 and 62 carried in the syringe support 64.

The physician is thereby able to quickly and conveniently ready the dispensing syringes 60 and 62 for use by securing the dispensing syringes to the joiner 84, snap fitting the syringe barrels 78 into the syringe support 64, and slide fitting the syringe thumb rests 74 into the clip 68.

The joiner 84 includes interior channels 90 coupled to the female luer fittings 86. The channels 90 merge at a Y-junction into a single outlet port 92. The joiner 84 maintains two fluids dispensed by the syringes 60 and 62 separately until they leave the joiner 84. This design minimizes plugging of the joiner 84 due to a mixing reaction between the two fluids. The syringe clip 68 ensures even application of individual solutions through the joiner 84.

The barrier material introducer/mixer 22 further includes a mixing chamber 94, which, in use, is coupled to the single outlet port 92 (as Fig. 10 shows). Expressed in tandem from the dispensing syringes 60 and 62, which are mechanically linked together by the joiner 84, support 64, and clip 68, the two components of the barrier material come into contact in the liquid state in the mixing chamber 94. Channel-mixing of the two components occurs as they flow through the mixing chamber 94 under pressure from operation of the mechanically linked dispensing syringes 60 and 62.

In the illustrated embodiment (see Figs. 2 and

- 19 -

10), the mixing chamber 94 is carried at the end of a tube 96 attached to the handle 30 of the catheter device 20. The tube 96 communicates with interior lumens 134 in the catheter tube 24 (shown in Fig. 3), which, in turn, are coupled to the dispensing nozzles 34. The mixing chamber 94 includes a luer fitting 98, which threadably connects with the single outlet port 92 of the joiner 84.

The parts of the barrier material introducer/mixer 94 are made, e.g., by molding medical grade plastic materials, such as polycarbonate and acrylic.

Barrier Component Assembly

The barrier component assembly 18 includes the already described dispensing syringes 60 and 62 for the two components of the barrier material.

According to the invention, the barrier material comprises a compound that is chemically cross-linked without the use of an enzyme, to form a non-liquid mechanical matrix.

As defined in this Specification, an "enzymatically cross-linked" barrier material is formed by the mixture of an enzyme and a substrate. Solutions of the substrate and enzyme can be delivered to the application site simultaneously, or separate solutions of the enzyme and substrate can be mixed at the application site. The enzyme cross-links to the substrate, transforming the solution to a solid. Examples of these materials include fibrin glue (in which the enzyme is thrombin and the substrate is fibrinogen), and transglutaminase cross-linked materials (in which the enzyme is transglutaminase and the substrate is selected from materials containing amino groups.

As further defined in this Specification, a

- 20 -

"chemically cross-linked" barrier material refers to all barrier materials not formed through the use of enzymes. Cross-linking can occur, e.g., as a result of energy (heat or light), or cross-linking chemical reactions (active esters, isocyanates, epoxides).
5 Examples of these materials includes photo-cross-linked acrylates and nucleophilic attack of electrophiles.

In a preferred embodiment, the barrier material
10 is a protein/polymer composite hydrogel. The material is nontoxic, biodegradable, and possesses suitable mechanical properties to seal arterial pressure.

The barrier material is most preferably formed
15 from the mixture of a protein solution and a solution of an electrophilic derivative of a hydrophilic polymer with a functionality of at least three. The barrier material of this composition has sufficient cohesive strength, adhesive strength, and
20 elasticity to seal arterial pressure. The rate of cross-linking and gelation can be controlled through buffer selection and concentration. The rate of degradation after cross-linking can be controlled through the selection of a degradation control
25 region.

1. Barrier Material Components

a. Natural Plasma-Based Protein

In the illustrated embodiment (see Fig 1), the first dispensing syringe 60 contains a concentration
30 of buffered protein solution 100. The protein solution is supplemented with the appropriate buffers, sterile filtered, aseptically filled into the syringe 60, and the syringe 60 is capped for storage prior to use.

35 Suitable proteins for incorporation into barrier

- 21 -

material include non-immunogenic, hydrophilic proteins. Examples include solutions of albumin, gelatin, antibodies, serum proteins, serum fractions, and serum. Also, water soluble derivatives of hydrophobic proteins can also be used. Examples include collagen, fibrinogen, elastin, chitosan, and hyaluronic acid. The protein can be produced from naturally occurring source or it may be recombinantly produced.

10 The preferred protein solution is 25% human serum albumin, USP. Human serum albumin is preferred due to its biocompatibility and its ready availability.

15 Buffer selection and concentration maintains the pH of the reactive mixture. Buffers that are well tolerated physiologically can be used. Examples include carbonate and phosphate buffer systems. Care should be taken to select buffers that do not participate in or interfere with the cross-linking reaction. The preferred range of buffer concentration is from about 0.01 M to about 0.3 M, and the preferred range of pH is from about 7.0 to about 10.0. A preferred buffer system for vascular puncture sealing is phosphate buffer at a concentration of 0.05 M at a pH value of about 8 to about 9. As will be described later, there is a relationship between pH and the time for cross-linking (also called "gelation").

25 As will be described in greater detail later, the syringe 60 is kept before use within inner and outer wraps, which are peripherally sealed by heat or the like. The wraps are made, at least in part, from a material that is permeable to ethylene oxide sterilization gas, e.g., TYVEK™ plastic material available from Du Pont. The outer surfaces of

syringe 60 can thereby be sterilized using ethylene oxide gas.

b. Electrophilic Water Soluble Polymer

5 In the illustrated embodiment (still referring principally to Fig 1), the second dispensing syringe 62 contains an inert, electrophilic, water soluble polymer 102. The polymer cross-links the protein to form an inert, three dimensional mechanical network
10 or matrix. The matrix forms a mechanical barrier, which, when appropriately positioned in tissue at a vascular puncture site outside the vessel, serves to seal the puncture site. The barrier is, over time, resorbed.

15 The polymer 102 comprises a hydrophilic, biocompatible polymer, which is electrophilically derivatized with a functionality of at least three. A number of polymers could be utilized, including poly(ethylene glycol), poly(ethylene oxide),
20 poly(vinyl alcohol), poly(vinylpyrrolidone), poly(ethyloxazoline), and poly(ethylene glycol)-co-poly(propylene glycol) block copolymers. The polymer portion is not restricted to synthetic polymers as polysaccharides, carbohydrates, and
25 proteins could also be electrophilically derivatized.

 Preferably, the polymer 102 is comprised of poly(ethylene glycol) (PEG) with a molecular weight
30 between 1,000 and 30,000 g/mole, more preferably between 2,000 and 15,000 g/mole, and most preferably between 10,000 and 15,000 g/mole. PEG has been demonstrated to be biocompatible and non-toxic in a variety of physiological applications.

 The preferred polymer can be generally expressed
35 as compounds of the formula:



where:

DCR is a degradation control region.

CG is a cross-linking group.

5 n ≥ 3

10 While the preferred polymer is a multi-armed structure, a linear polymer with a functionality of at least three can also be used. The desired functionality of the PEG polymer for forming the barrier can be expressed in terms of (i) how quickly the polymer cross-links the protein and transforms to a nonfluent gel state (i.e., the mechanical barrier material) (a preferred gelation time is under three minutes) , and (ii) the mechanical properties of the barrier after gelation in terms of its liquid sealing characteristics, physical strength, resistance to fragmentation (i.e., brittleness), and bioresorption. The optimization of both attributes (i) and (ii) is desirable.

15 The inventors have discovered that the utility of a given PEG polymer significantly increases when the functionality is increased to be greater than or equal to three. The observed incremental increase in functionality occurs when the functionality is increased from two to three, and again when the functionality is increased from three to four. Further incremental increases are minimal when the functionality exceeds about four.

20 The use of PEG polymers with functionality of greater than three provides a surprising advantage. When cross-linked with higher functionality PEG polymers, the concentration of albumin can be reduced to 25% and below. Past uses of difunctional PEG polymers require concentrations of albumin well above 25%, e.g. 35% to 45%. Use of lower

25

30

35

- 24 -

concentrations of albumin results in superior sealing properties with reduced brittleness, facilitating reentry through the nonfluid barrier material, without fragmentation. Additionally, 25% human serum albumin, USP is commercially available from several sources, however higher concentrations of USP albumin are not commercially available. By using commercially available materials, the dialysis and ultrafiltration of the albumin solution, as disclosed in the prior art, is eliminated, significantly reducing the cost and complexity of the preparation of the albumin solution.

In the illustrated embodiment, the polymer 102 is initially packaged prior to use in the second dispensing syringe 92 in an inert atmosphere (e.g., argon) in a stable, powder form. In this arrangement, the barrier component assembly 18 includes a third syringe 104, which contains sterile water 106 for dissolution of the powder polymer 102 just before mixing with the albumin component 100.

In facilitating mixing, a stopcock valve 108 is secured to the luer fitting 88 at the dispensing end of the second dispensing syringe 62. The dispensing end 110 of the water syringe 104 couples to the stopcock valve 108, so that the water 106 can be mixed with the polymer 102 in the dispensing syringe 72 prior to use. Further details of the preparation of the polymer prior to use will be described later.

In the illustrated embodiment, the second and third dispensing syringes 62 and 104 are placed in inner and outer wraps peripherally sealed by heat. The wraps are made, at least in part, from a material that is transparent to electron beam irradiation. The contents of the second and third dispensing syringes 62 and 104 can thereby be

- 25 -

sterilized, e.g., by exposure to electron beam irradiation.

(1) Selection of the
Degradation Control
Region DCR

5

The rate of degradation is controlled by the selection of chemical moiety in the degradation control region DCG. If degradation is desired, a hydrolytically or enzymatically degradable moiety can be selected,

10

Examples of hydrolytically degradable moieties include saturated di-acids, unsaturated di-acids, poly(glycolic acid), poly(DL-lactic acid), poly(L-lactic acid), poly(ξ -caprolactone), poly(δ -valerolactone), poly(γ -butyrolactone), poly(amino acids), poly(anhydrides), poly(orthoesters), poly(orthocarbonates), and poly(phosphoesters).

15

Examples of enzymatically degradable regions include Leu-Glyc-Pro-Ala (collagenase sensitive linkage) and Gly-Pro-Lys (plasmin sensitive linkage).

20

The preferred degradable control regions for degradable barrier materials are ester containing linkages, as are present when succinic acid or glutaric acid are coupled to a PEG molecule. The preferred degradable control regions for nondegradable barrier materials are ether containing linkages. The barrier material can also be created without the introduction of a degradation control region.

25

30

(2) Selection of the
Cross-Linking Group CG

The cross-linking group is responsible for the cross-linking of the albumin, as well as the binding

35

- 26 -

to the tissue substrate. The cross-linking group can be selected to selectively react with sulfhydryl groups, selectively react with amines, or can be selected to react with sulfhydryl, primary amino, and secondary amino groups. Cross-linking groups that react selectively with sulfhydryl groups include vinyl sulfone, N-ethyl maleimide, iodoacetamide, and orthopyridyl disulfide. Cross-linking groups specific to amines include aldehydes. Non-selective electrophilic cross-linking groups include active esters, epoxides, carbonylimidazole, nitrophenyl carbonates, tresylate, mesylate, tosylate, and isocyanate. The preferred cross-linking group is an active ester, specifically an ester of N-hydroxysuccinimide.

To minimize the liberation of heat during the cross-linking reaction, the concentration of the cross-linking groups is preferably kept less than 5% of the total mass of the reactive solution, and more preferably about 1% or less. The low concentration of the cross-linking group is also beneficial so that the amount of the leaving group is also minimized. In a preferred embodiment, the cross-linking group portion comprising a N-hydroxysuccinimide ester has demonstrated ability to participate in the cross-linking reaction with albumin without presenting the risk of local or systemic immune responses in humans.

(3) Preferred Multiple Arm
PEG Polymer

In a preferred embodiment, the polymer is comprised of a 4-arm PEG with a molecular weight of about 10,000 g/mole, the degradation control region is comprised of glutaric acid, and the cross-linking group is comprised of a N-hydroxysuccinimide ester.

- 27 -

Thus, a preferred polymer is poly(ethylene glycol) tetra-succinimidyl glutarate, which is available from Shearwater Polymers, Huntsville, AL. The preferred polymer will, in shorthand, be called
5 4-PEG-SG. The polymer is dissolved in water prior to use. Preferred concentrations of the polymer are from 5% to 35% w/w in water.

The solution of 4-PEG-SG mixes with 25% serum albumin to form a liquid solution that quickly
10 cross-links to form a non-liquid, three dimensional network for the barrier. With these barrier material formulations, it is possible to intimately mix the water soluble polymer with the albumin protein without static mixing. Effective mixing occurs as
15 the multiple arm PEG polymer and albumin are jointly passed through a confined flow path. This beneficial phenomenon has been earlier referred to in this specification as "channel-mixing."

As will be demonstrated later, the rate of
20 reaction can be controlled by the pH of the reactive solution. An increase in temperature is not observed during formation of the barrier network, due to the low concentration of reactive groups, which account for only about 1% of the total mass. In a typical
25 clinical application, about 50 mg of a non-toxic leaving group is produced during the cross-linking reaction, which is a further desired result.

The resulting nonfluent barrier material created by mixing 25% albumin and 4-PEG-SG is approximately
30 80% water, 13% albumin, and 7% PEG. The barrier material is well tolerated by the body, without invoking a severe foreign body response. Over a controlled period of time, the barrier material is degraded via hydrolysis. Histological studies have
35 shown a foreign body response consistent with a

biodegradable material, such as VICRYL™ sutures. As the material is degraded, the tissue returns to a quiescent state. The molecules of the degraded barrier material are cleared from the bloodstream by the kidneys and eliminated from the body in the urine. In a preferred embodiment of the invention, the barrier material loses its physical strength during the first twenty days, and total resorption occurs in about 4 weeks.

The following Examples demonstrate the superior features of the barrier material of the invention.

Example 1: Preparation of Cross-Linked Barrier Networks

Cross-linked barrier networks were formed by the mixture of an 4-PEG-SG and albumin. A solution of 4-PEG-SG was prepared by dissolving 0.40g in 2.0 mL of water. The albumin solution consisted 25% human serum albumin, USP (Plasbumin-25, Bayer Corporation), as received.

Dispensing syringes containing 2.0 mL of the polymer solution and 2.0 mL of albumin solution were connected to the joiner 84, to which a spray head was coupled. The solutions were sprayed into a polystyrene weigh boat. A cross-linked barrier network formed at room temperature in about 90 seconds.

Example 2: Control of the Rate of Gelation

The rate of formation of the cross-linked barrier network of 4-PEG-SG and albumin (i.e., gelation) can be controlled by the pH of the reactive solution. To increase the rate of cross-linking, the pH of the solution is increased, and conversely, to decrease the rate of cross-linking, the pH of the solution is decreased. The pH of the solution is controlled by both the buffer strength

and buffer pH.

Table 1 shows the effect of buffer strength on the rate of gelation of 17% w/w 4-PEG-SG in water for injection and 25% human serum albumin, USP at room temperature. The rate of gelation can also be controlled by adjusting the pH of the buffer at a constant buffer concentration. The buffer was placed in the solution of albumin. The gelation time is the amount of time required for the formulation to transform from the liquid state to the cross-linked solid state.

Table 1: Effect of Buffer Strength and Buffer pH on Gel Formation

Buffer Concentration	Buffer pH	Gelation Time
300 mM	9	< 1 sec
200 mM	9	5 sec
100 mM	9	10 sec
50 mM	9	20 sec
0 mM	7	90 sec

Example 3: Channel-Mixing

A solution of 4-PEG-SG was prepared by dissolving 0.40g in 2.0 mL of water. The albumin solution consists 25% human serum albumin, USP (Plasbumin-25, Bayer Corporation), buffered to pH 9.0.

Syringes containing 2.0 mL of the polymer solution and albumin solution were connected to the joiner 84. A cannula channel having an inside diameter of 1 mm and a length of 20 cm was attached to the outlet port 92 of the joiner 84. The solutions were expressed through the cannula channel into a polystyrene weigh boat.

- 30 -

The barrier network formed at room temperature in about 20 seconds. Qualitatively, the mechanical properties of the barrier network when sprayed (as in Example 1) and the barrier network when expressed through the cannula channel were equivalent.

This demonstrates that the barrier network can be formed by channel-mixing the liquid components, without static mixing, by delivery through a small diameter channel.

10 Puncture Site Closure Using the System

1. The Kits

As Figs. 7A and 7B show, in the illustrated embodiment, each kit 12 and 14 includes an interior tray 112 made, e.g., from die cut cardboard, plastic sheet, or thermo-formed plastic material.

The catheter device 20 and barrier material introducer/mixer 22 are carried by the tray 112 in the first kit 12. The first, second, and third syringes 60, 62, and 114 and stopcock valve 108 are carried by the tray 112 in the second kit 14.

Each kit 12 and 14 presents its contents in a user-friendly orientation on the tray 112, to facilitate quick preparation of the barrier material using straightforward, intuitive steps, and the subsequent attachment of the dispensing syringes 60 and 62 to the catheter device 20.

As shown in Fig. 7A, the kit 12 includes an inner wrap 114, which is peripherally sealed by heat or the like, to enclose the tray 112 from contact with the outside environment. One end of the inner wrap 114 includes a conventional peel away seal 116. The seal 116 provides quick access to the tray 112 at the instant of use, which preferably occurs in a suitable environment, such as within a catheterization lab.

- 31 -

The kit 12 is further wrapped in an outer wrap 118, which is also peripherally sealed by heat or the like, to enclose the interior tray 112. One end of the inner wrap 118 includes a conventional peel away seal 120, to provide quick access to the interior tray 112 and its contents.

The outer wrap 118 and the inner wrap 114 are made, at least in part, from a material that is permeable to ethylene oxide sterilization gas, e.g., TYVEK™ plastic material (available from DuPont). Kit 12 is sterilized utilizing ethylene oxide gas or electron beam irradiation.

As shown in Fig. 7B, kit 14 includes a polymer package 138 (which contains the prefilled powder polymer syringe 62 and water syringe 104) and an albumin package 140 (which contains the prefilled albumin syringe 64). Each polymer package 138 and albumin package 140 includes an individual wrap 142, which is peripherally sealed by heat or the like, to enclose package 138 and 140 from contact with the outside environment. One end of the individual wrap 142 includes a conventional peel away seal 144, to provide quick access to the contents of the packages 138 and 140 at the instant of use, such as within a catheterization lab.

Polymer package 138 and albumin package 140 are further wrapped in an outer wrap 118, which is also peripherally sealed by heat or the like. One end of the outer wrap 118 includes a conventional peel away seal 148, to provide quick access to the packages 138 and 140. After sterilization treatment, the packages 138 and 140 and the tray 112 are further wrapped in container 146 for the user's convenience.

The wraps 142 and 118 are made, at least in part, from a material that is permeable to ethylene

- 32 -

oxide sterilization gas, e.g., TYVEK™ plastic material (available from DuPont). The albumin package 140 is prepared, sterilized utilizing ethylene oxide gas, and placed into kit 14. The
5 polymer package 138 is prepared, sterilized utilizing electron beam irradiation, and place into kit 14.

In the illustrated embodiment, each kit 12 and 14 also preferably includes directions 122 for using
10 the contents of the kit to carry out a desired procedure. Exemplary directions 122 will be described later.

2. Use of the Kits to Access and Seal a Vascular Puncture Site

The directions 122 can, of course vary, according to the particularities of the desired procedure. Furthermore, the directions 122 need not be physically present in the kits 12 and 14. The directions 122 can be embodied in separate
15 instruction manuals, or in video or audio tapes.

In the illustrated embodiment, exemplary directions 122 are described, which instruct the physician how to use of the system 10 to close a vascular puncture site following percutaneous
20 transluminal coronary angioplasty. It should be appreciated that the specific contents of the directions 122 are merely exemplary. The objectives set forth in the exemplary directions 122 can be accomplished in different ways, using different
25 devices, and different sequences of steps.

It should also be appreciated that the use of the system 10 is not limited to angioplasty procedures. The system 10 can be used with other diverse procedures, which provide vascular access
30 through a puncture site.

35

- 33 -

In the illustrated embodiment, at the time the system 10 is readied for use, the guide wire 40 has already been deployed through a conventional introducer through a vascular puncture site into, e.g., the femoral artery. An angioplasty balloon has been deployed over the guide wire 40 through the puncture site and into the artery. The angioplasty balloon has been advanced over the guide wire 40 to the occluded treatment site. The balloon has been expanded and manipulated to open the occluded site. The balloon has been withdrawn over the guide wire 40.

When use of the system 10 is desired, the outer wrap 118 of the kits 12 and 14 are removed. The trays 112, still contained in the inner wraps 118, are placed in the sterile operating field.

The physician opens the inner wrap 118 of the second kit 14 to gain access the first, second, and third syringes 60, 62, and 104.

In the illustrated embodiment, the directions 122 for use instruct the physician to remove from the second kit tray 112 the second dispensing syringe 62, which contains, in sterile powder form, a predetermined amount of the polymer 102 (e.g., about 0.3 to 0.5 g). The directions 122 also instruct the physician to remove from the second kit 14 the third syringe 104, which contains sterile water 106 (e.g., about 2 cc). Both are contained in the polymer package 138.

As Fig. 8A shows, the directions 122 instruct the physician to couple the dispensing end of the water syringe 104 to the stopcock valve 108 on the second dispensing syringe 62. The stopcock valve 108 is closed at this point. As instructed by the directions 122, the physician opens the stopcock

valve 108 (see Fig. 8B) and transfers water from the water syringe 104 into the powder 100 in the second dispensing syringe 62 (see Fig. 8C). The physician is instructed to repeatedly transfer the water and powder mixture between the two syringes 62 and 104, to syringe-mix the powder and water until all solids are dissolved. The syringe-mixing places the water soluble, polymer material into solution. The syringe-mixing process generally takes about two minutes.

After syringe mixing, the physician, following the directions 122, transfers the PEG solution 136 (about 2 cc) into one of the syringes (which, in the illustrated embodiment, is the second syringe 62). The physician waits for bubbles to dissipate, which generally takes about an additional two minutes.

According to the directions 122, the physician now closes the stopcock valve 108 (as Fig. 8D shows). The physician removes the stopcock valve 108 by unscrewing it from the luer fitting on the dispensing end of the second syringe 62. The PEG solution 136 is ready for use. Mixing of the PEG solution 136 should take place generally within one hour of use. If the PEG solution 136 remains unused over one hour after mixing, it should be discarded.

The directions 122 instruct the physician to remove from the second kit tray 112 the dispensing syringe 60 containing the albumin 100. As before described, the albumin 100 has been premixed in a buffered form to the desired concentration (e.g., 25%), then sterile filtered, and aseptically filled into the syringe 60. A closure cap normally closes the dispensing end inside the tray 112.

The physician now, or at a previous time, opens the outer wrap 118 of the first kit 12 to gain

- 35 -

access to the catheter device 20 and barrier material introducer/mixer 22. Using an auxiliary syringe (not shown), the physician is instructed to
5 instructed to flush the interior lumen leading to the nozzles 34 with sterile saline. The physician is also directed to flush the interior guidewire lumen 32 with sterile saline. The physician attaches another auxiliary syringe 126 filled with about 1 cc of air to the fitting 54 for inflating
10 the deformable region 44 to confirm its functionality, and then returns the deformable region 44 to the collapsed state.

As illustrated in Fig. 9, the directions 122 instruct the physician to remove the closure cap and
15 screw the dispensing end of the first syringe 60 to the luer fitting 86 on the joiner 84. The physician is also instructed to screw the dispensing end of the second syringe 62 (now containing the mixed PEG solution 136) to the other luer fitting 86 on the
20 joiner 84.

Following the directions 122 (as Fig. 9 also shows), the physician snaps the barrels 78 of the syringes 60 and 62 to the holder channels 66. The physician captures the thumb rests 74 of the two
25 syringes 60 and 62 inside the race 72 of the syringe clip 68. The directions 122 instruct the physician to attach the joiner 84 to the mixing channel 94 (as Fig. 10 shows).

The physician is now ready to deploy the
30 catheter tube 24. As Fig. 5 shows, the physician is instructed to pass the distal end 28 of the catheter tube 24 over the guide wire 40 through the puncture site. The physician advances the distal end 28 to situate the first deformable region 38 inside the
35 vessel, while the nozzles 34 are deployed outside

- 36 -

the vessel. The physician can monitor the advancement tactilely, without using fluoroscopy. However, the physician can use fluoroscopy or an other form of visualization, if desired.

5 According to the directions 122 (as Fig. 6 shows), the physician pulls the lever 50 rearward, causing the first deformable region 38 to expand radially into the positioner 42. The physician is instructed to place slight rearward tension on the
10 catheter tube 24 (shown by arrow 132 in Fig. 6), to bring the positioner 42 into contact with the interior of the vessel. The physician will, by tactile feedback, know that the positioner 42 has contacted the vessel interior. Due to the slight
15 rearward tension, the positioner 42 seats against and supports the puncture site. The guide wire lumen 32 of the catheter tube 24 can be used to inject suitable contrast media to aid in the visualization of the puncture site region.

20 While maintaining slight rearward tension on the catheter tube 24, the physician is instructed to manipulate the syringe 126 to inject air (e.g. about 0.7 cc to 0.8 cc) into the second deformable region 44. The second deformable region 44 expands (as Fig.
25 6 shows), forming the dam 46 outside the vessel.

 The physician is instructed to continue to apply a slight rearward tension on the catheter tube 24, sufficient to keep the positioner 42 against the interior of the vessel, without pulling it through
30 the vessel wall.

 The physician is instructed to grasp the finger rests 80 and thumb rest 82 of the barrier material introducer/mixer 22, as if grasping an ordinary syringe. The physician expresses the albumin 100
35 from the first dispensing syringe 60 while

- 37 -

simultaneously also expressing the PEG solution 136 from the second dispensing syringe 62.

The albumin and PEG solutions come into contact in the mixing chamber 94 and, from there, proceed through the catheter tube 24 to the nozzles 34. The albumin 100 and PEG solution 136 intimately channel-mix in transit.

As Fig. 11 shows, the mixture of albumin 100 and PEG solution 136 flows in liquid form through the nozzles 34. Conveyed circumferentially about the catheter tube 24 by the nozzles 34, the liquid mixture 130 of albumin 100 and PEG solution 136 enters and fills the tissue region surrounding the puncture site.

As Fig. 12 shows, according to the directions 122, the physician waits the requisite gelation period, during which the liquid mixture 130 of albumin 100 and PEG material 136 transform into a non-fluid barrier network 128 outside the puncture site. Using 4-PEG-SG and albumin, the gelation period is about 15 to 60 seconds.

During the gelation period, the physician is instructed to continue to apply a slight rearward tension on the catheter tube 24 to seat the positioner 42 against the interior vessel wall. This, in effect, suspends the vessel on the distal end of the catheter tube 24, while the solid barrier network 128 forms outside the vessel to seal the puncture site. The positioner 42 and the catheter tube 24 resist seepage of the liquid mixture 130 into the vessel during the gelation period.

After the requisite gelation period, the physician is instructed to push the lever 50 forward to relax the positioner 42. The physician also relieves air pressure from the dam 46. The physician

- 38 -

withdraws the guide wire 40 and the distal end 28 of the catheter tube 24 from the vessel. As shown by Fig. 13, during withdrawal, the distal end 28 and the guide wire 40 pass through the barrier network 128 that has, by now, formed over the puncture site. If desired, the guidewire 40 may be left in place for removal at a future time.

After withdrawing the catheter tube 24, the physician is instructed to apply manual pressure to the skin over the blood vessel, e.g., for about three minutes, to aid in the sealing process. This time allows the barrier material to fully cross-link. The physician then confirms that the puncture site has been sealed by observing the lack of blood seepage about the guide wire 40 access.

The puncture site of the vessel naturally closes and heals. As Fig. 13 shows, the presence of the barrier network 128 outside the puncture site prevents blood leakage while natural healing takes place. The barrier network 128 obviates the need for the patient to forgo ambulation and normal activities while this natural healing process takes place. The body resorbs the barrier network 128 over time, e.g., within 30 days.

Example 4: Femoral Puncture Site Closure

A solution of 4-arm PEG succinimidyl glutarate, MW 10,000 (Shearwater Polymers, Huntsville, AL) was prepared by dissolving 0.40g in 2.0 mL of water for injection. The albumin solution consists 25% human serum albumin, USP (Plasbumin-25, Bayer Corporation), buffered to pH 9.0.

Syringes containing 2.0 mL of the polymer solution and 2.0 mL of albumin solution were connected to the joiner coupled to the catheter device having an 8 French catheter tube 24.

- 39 -

Aseptically, the distal end of the catheter tube 24 was inserted into the femoral artery of a sedated sheep. The first and second deformable regions were enlarged inside and outside the artery. The material in the dispensing syringes were simultaneously injected through the mixing chamber into the catheter tube 24, and dispensed through the nozzles 34 at the tissue site.

Twenty seconds was allowed for gelation. The deformable regions were relaxed, and the catheter tube 24 was withdrawn from the artery.

Direct pressure was applied to the artery for an additional 3 minutes to allow the barrier material to fully harden. When the pressure was relieved, blood loss through the tissue track or hematoma formation was not observed. Doppler analysis confirmed blood flow distally from the arteriotomy. The time between application of liquid barrier material to the formation of a non-liquid barrier to affect complete sealing was 3.5 minutes.

The treated sheep was upright and bearing weight evenly on its legs within 45 minutes after deployment of the barrier material. After about one hour from the completion of the procedure, hay was placed in the pen. The sheep immediately began eating. Approximately 2 hours after the procedure, the animal was bright, alert, and responsive without a hematoma. The animal did not exhibit any adverse effects from the treatment and was indistinguishable from non-treated sheep.

Thirty days post-operative, the animal was sacrificed and the femoral artery was removed en bloc, placed in formalin, and evaluated using standard histological techniques. Approximately 10% of the implanted material was still remaining at

thirty days. The evaluating pathologist noted a foreign body response to the material that was consistent with a biodegrading material. Additional studies have shown that, after the material has entirely degraded, the tissue returns to a quiescent state.

5

Example 5: Additional Femoral Puncture Site Closure Procedures in Sheep

A number of additional procedures have been performed using the barrier material in various sizes of puncture sizes using heparinized sheep. The following Table summarizes the results:

10

Table 2: Femoral Sealing Results (Heparinized Sheep)

15

Barrier Material	Catheter tube 24 Diameter	Number of Procedures	Bleeding Stopped in less than 3 minutes (Measured Between Material Application and When Bleeding Stopped)	Total Procedure Time Less than 10 Minutes (Measured Between Insertion of Catheter Tube and Stoppage of Bleeding After Removal of Catheter Tube)
4-arm PEG /Albumin	6 Fr	1	1 of 1	Not Applicable
4-arm PEG /Albumin	8 Fr	3	2 of 3	3 of 3
4-arm PEG /Albumin + Heparin	8 Fr	3	2 of 3	3 of 3

20

25

Example 6: Additional Femoral Puncture Site Closure Procedures in Pigs

A number of additional procedures have been performed using the barrier material in various sizes of puncture sizes in pigs. The procedure used in the porcine experiments is identical to that used in the ovine experiments.

The following Table summarizes the results.

Table 3: Femoral Sealing Results (Pigs)

Barrier Material	Catheter tube 24 Diameter	Number of Procedures	Bleeding Stopped in less than 3.5 minutes (Measured Between Material Application and When Bleeding Stopped)	Total Procedure Time Less than 10 Minutes (Measured Between Insertion of Catheter Tube and Stoppage of Bleeding After Removal of Catheter Tube)
4-arm PEG /Albumin	8 Fr	4	3 of 4	4 of 4
4-arm PEG /Albumin	7 Fr	1	1 of 1	Not Applicable

Alternative Embodiments

1. Catheter Device

Fig. 14 shows an alternative embodiment of a catheter device 220 that the system 10 can incorporate instead of the catheter device 20.

Like the catheter device 20, the catheter device 220 includes a flexible catheter tube 224 having a proximal end 226 and a distal end 228. The catheter

tube 224 can be constructed from the same medical grade plastic materials as the catheter tube 24, already described. As with the catheter tube 24, the distal end 228 has an outside diameter of, e.g., 4 Fr to 16 Fr. Unlike the distal end 28, the distal end 228 has a uniform diameter along its entire length, which also matches the outside diameter of the entire catheter tube 24.

The proximal end 226 carries a handle 230 to facilitate gripping and maneuvering the catheter tube 224 by a physician. As shown in Fig. 14, the handle 230 is of reduced size, compared to the handle 30. The reduced size of the handle 230 facilitates holding the handle 330 between the forefinger and thumb, for better fine control and tactile feedback.

As Fig. 16 shows, an interior lumen 232 extends through the catheter tube 224. The lumen accommodates passage of a conventional guide wire 40, as already described.

Like the catheter device 20, the catheter device 220 includes, at its distal end 228, a circumferentially spaced array of nozzles 234 (see Fig. 15). The barrier material is conveyed in liquid form and dispensed in a circumferential manner through the nozzles 234 at the puncture site.

As Fig. 15 shows, the distal end 228 includes a single deformable region 238, which is located a short distance from the nozzles 234. Unlike the catheter device 20, the distal end 228 of the catheter device 220 does not include a leader, extending distally from the deformable region 238. The distal end 228 terminates a short distance from the deformable region 238.

The deformable region 238 normally presents a

generally cylindrical, low profile condition (shown in Fig. 14), presenting an outside diameter that is generally the same as the distal end 238 itself. When the low profile condition, the region 238 passes over the guide wire into the vessel (as Fig. 17 shows).

The region 238 can be deformed into a radially enlarged condition, which forms a positioner 242 (see Fig. 15). In use (see Fig. 18), the positioner 242 resists passage through the puncture site in response to rearward tension along the catheter tube 224, as shown by arrow 132 in Fig. 18. The positioner 242 serves to position the nozzles 234 at a proper distance outside the vessel, while the liquid barrier material is introduced outside the vessel through the nozzles 34.

Unlike the catheter device 20, the catheter device 220 does not include a second deformable region spaced proximal to the nozzles 34. It has been found that the gelation of the liquid barrier material, as described above, occurs quickly enough to obviate the need for a proximal dam.

The deformation of the region 238 can be accomplished in various ways. In the illustrated embodiment, the region 238 comprises an expandable balloon material attached about the catheter tube 224. The catheter tube 224 includes an interior lumen 256 (shown in Fig. 16), which communicates through an aperture 258 with the interior of the balloon material. A fitting 254 carried by the handle 230 (see Fig. 14) communicates with the lumen 256. The fitting 254 couples the lumen to an auxiliary syringe 126, which injects air under pressure through the lumen 256 into the space surrounded by the balloon material, causing the

- 44 -

material to expand and form the positioner 242.

As Fig. 14 shows, a mixing chamber 294 is carried at the end of a tube 296 attached to the handle 230 of the catheter device 220. The tube 296 communicates with interior lumens 334 in the catheter tube 224 (shown in Fig. 16), which, in turn, are coupled to the dispensing nozzles 234. The mixing chamber 294 includes a luer fitting 298, which threadably connects with the single outlet port 92 of the joiner 84 (see Fig. 17).

In use, the barrier material introducer/mixer 22 expresses the albumin 100 and polymer solution 136 in tandem from the dispensing syringes 60 and 62, which are mechanically linked together by the joiner 84, support 64, and clip 68, in the manner already described. The two components of the barrier material come into contact in the liquid state in the mixing chamber 294. Channel-mixing of the two components occurs as they flow through the mixing chamber 294 to the nozzles 234.

Prior to deploying the catheter device 220 for use, the physician prepares the PEG solution 136, and couples the syringes 60 and 62 to the barrier introducer/mixer 22, in the manners previously described.

As Fig. 17 shows, according to appropriate instructions 122, the physician is instructed to pass the distal end 228 of the catheter tube 224 over the guide wire 40 through the puncture site. The physician advances the distal end 228 to situate the deformable region 238 inside the vessel, while the nozzles 234 are deployed outside the vessel. The physician can monitor the advancement tactilely. The presence of the uniform diameter distal end 228 seals the puncture site.

- 45 -

According to the directions 122 (as Fig. 18 shows), the physician is instructed to attach an auxiliary syringe 126 filled with about 1 cc of air to the fitting 254. The physician injects the air to inflate the region 238, which expands radially into the positioner 242. The physician is then instructed to place slight rearward tension on the catheter tube 224 (shown by arrow 132 in Fig. 18), to bring the positioner 242 into contact with the interior of the vessel. Due to the slight rearward tension, the positioner 242 seats against and supports the puncture site. The physician will, by tactile feedback, know that the positioner 42 has contacted the vessel interior. The guidewire lumen 32 of the catheter tube 24 can be used to inject suitable contrast media to aid in the visualization of the puncture site region.

The physician is instructed to continue to apply a slight rearward tension on the catheter tube 224, sufficient to keep the positioner 242 against the interior of the vessel, without pulling it through the vessel wall.

The physician is instructed to grasp the finger rests 80 and thumb rest 82 of the barrier material introducer/mixer 22, as if grasping an ordinary syringe. The physician expresses the albumin 100 from the first dispensing syringe 60 while simultaneously also expressing the PEG solution 136 from the second dispensing syringe 62.

The albumin and PEG solutions come into contact in the mixing chamber 294 and, from there, proceed through the catheter tube 224 to the nozzles 234. The albumin 100 and PEG solution 136 intimately channel-mix in transit.

As Fig. 19 shows, the mixture of albumin 100 and

- 46 -

PEG solution 136 flows in liquid form through the nozzles 234. The liquid mixture 130 of albumin 100 and PEG solution 136 enters and fills the tissue region surrounding the puncture site.

5 As Fig. 19 shows, according to the directions 122, the physician waits the requisite gelation period, during which the liquid mixture 130 of albumin 100 and PEG material 136 transform into a non-fluid barrier network 128 outside the puncture
10 site. During the gelation period, the physician is instructed to continue to apply a slight rearward tension on the catheter tube 224 to seat the positioner 242 against the interior vessel wall, as the solid barrier network 128 forms outside the
15 vessel to seal the puncture site. The catheter tube 224 resists seepage of the liquid mixture 130 into the vessel during the gelation period.

 After the requisite gelation period, the physician is instructed to operate the syringe 126
20 to remove air pressure and collapse the positioner 242. The physician withdraws the guide wire 40 and the distal end 228 of the catheter tube 24 from the vessel. As shown by Fig. 20, during withdrawal, the distal end 28 and the guide wire 40 pass through the barrier network 128 that has, by now, formed over
25 the puncture site.

 After withdrawing the catheter tube 24, the physician is instructed to apply manual pressure to the skin over the blood vessel, e.g., for about
30 three minutes, to aid in the sealing process. This time allows the barrier material to fully cross-link. The physician then confirms that the puncture site has been sealed by observing the lack of blood seepage about the guide wire access.

35 The puncture site of the vessel naturally closes

and heals. As Fig. 20 shows, the presence of the barrier network 128 outside the puncture site prevents blood leakage while natural healing takes place. The body resorbs the barrier network 128 over time, e.g., within 30 days.

2. Mixing Chambers

There are various alternative constructions for a mixing chamber 94 usable in association with the barrier material introducer/mixer 22. The construction selected depends upon the particular geometry and size of a given mixing chamber, as well as how readily the components of the barrier material intimately mix to initiate the cross-linking reaction.

In the illustrated embodiment, the enhanced functionality of the preferred 4-PEG-SG material allows channel mixing to take place, as the components of the barrier are conveyed in tandem to the targeted puncture site. In this arrangement, the mixing chamber 94 serves the function of rapidly guiding the polymer solution 136 and the protein solution 100 into intimate flow contact as they leave the port 92.

The mixing chamber 94 can, if desired, include other structure to mechanically enhance and accelerate the mixing effect.

For example, as shown in Fig. 22, a mixing chamber 94 can include an array of interior funnel walls 156. The funnel walls 156 include interruptions 158, which are arranged in a alternative pattern along the flow center and along the flow perimeter of the chamber 154. Polymer solution 136 and protein solution 100 are directed through the interruptions 158 in a circumferential and circular flow path through the chamber 154. The

- 48 -

circumferential and circular flow of the polymer solution 136 and protein solution 100 accelerates the channel-mixing process.

5 Alternatively (as Fig. 23 shows), baffle walls 166 can be arranged perpendicular to the flow path through the mixing chamber 94. The baffle walls 166 include staggered interruptions 168. The interruptions 168 cause the polymer solution 136 and protein solution 100 to advance through the chamber 10 94 in a zig-zagging path, from one side of the chamber 94 to the other. The zig-zagging path is particularly advantageous if the polymer solution 136 and protein solution 100 are introduced into the chamber 94 through separate inlet ports 170 and 15 172).

Alternatively, baffles 160 can be arranged about a hub 162 in a spiral pattern (as Fig. 24 shows) or in a non-spiral pattern (as Fig. 25 shows). The baffles 160 establish a cascading flow within the 20 chamber 94 to accelerate mixing of the polymer solution 136 and protein solution 100. The hub 162 can include an interior lumen 164 to accommodate passage of, e.g., the guide wire 40 or the air conveyed to expand a deformable region on the distal 25 end of the catheter tube 24 or 224.

As Fig. 26 shows, the polymer solution 136 and the protein solution 100 can be introduced into the chamber 94 through separate tangential ports 174 and 176, which are diagonally spaced apart. The chamber 30 94 includes a center outlet port 178. Solutions 100 and 136 entering the ports 174 and 176 flow in a swirling pattern about the periphery of the chamber 94, before exiting the center outlet port 178. The swirling flow pattern accelerates intimate mixing.

35 As shown in Fig. 27, the chamber 94 can include

multiple spaced apart inlet ports 180, 182, 184, 186 arranged about a common center outlet port 188. The ports 180, 182, 184, 186, and 188 are arranged parallel to the intended flow path through the chamber 94. Polymer solution 136 is introduced through opposed ports 180 and 184, while protein solution is introduced through the opposed ports 182 and 186. The multiple spaced-apart inlet paths feeding a common center outlet port 188 enhance the desired mixing effect of the chamber 94.

3. Other Uses for the Barrier Material Introducer/Mixer

The barrier material introducer/mixer 22 can be used to dispense barrier material without association with the catheter device 20 or 220. As Fig. 21, the outlet port 92 can be coupled to various dispensing devices, such as a sprayer 150 or a cannula or needle 152.

The physician can select the sprayer 150 and operate the material introducer/mixer 22 in the manner previously described, to locally dispense the barrier material (or an other tissue adhesive or sealing material) at an exposed puncture or suture site, e.g., during an open surgical procedure or on the skin. Atomization through the sprayer 150 will mix the liquid components of the barrier or adhesive material sufficiently to initiate the cross-linking reaction.

Alternatively, the physician can select the cannula 152 and operate the material introducer/mixer 22 to inject the barrier material (or other selected material) at a targeted subcutaneous puncture site. Passage of the liquid components of the barrier or other material through the cannula 152 will channel-mix the materials

sufficiently to initiate the cross-linking reaction.

It should thus be appreciated that the barrier material introducer/mixer 22 can be used in diverse ways throughout the body for dispensing any material formed by intimate mixing of two liquid components conveyed in tandem to a targeted treatment site. The barrier material introducer/mixer 22 can be used for exterior or interior introduction and application of any such material, with or without catheter access.

4. Introducer/Mixer

Fig. 28 shows an alternative embodiment of an introducer/mixer 300. In this embodiment, a molded joiner 320 includes side-by-side female luer fittings 304. Each fitting 304 receives the threaded male luer fittings 306 of the dispensing syringes 60 and 62. A syringe clip 308 also preferably links the syringe pistons 76 for simultaneous advancement when dispensing materials from the syringes 60 and 62.

In this alternative embodiment, the introducer/mixer 300 does not include a separate channeled syringe support member (as shown by reference numeral 34 in Fig. 2). The molded strength of the female luer fittings 304 on the joiner 302, can, when threaded to the male fittings 306, itself be sufficient to hold the syringes 60 and 62 during dispensement of their liquid contents, as already described. This reduces the number of parts required for the introducer/mixer 300.

As Fig. 29 shows, the joiner 302 can include opposing skirts 310 molded to peripherally surround the fittings 304. The skirts 310 resist side-to-side deflection of the syringes 60 and 62, when held by the joiner 302.

As Fig. 28 shows, the joiner 302 includes interior channels 312 and 314, which are coupled to

- 51 -

the luer fittings 304. The interior channels 312 and 314 criss-cross within the joiner 302, without fluid communication. The criss-crossing channels 312 and 314 keep the liquid contents of the syringes 60 and 62 free of mixing. The channels 312 terminate with separate outlet ports 316 and 318.

As Fig. 28 also shows, in use, the joiner 302 is coupled to a mixing chamber 320, which is of the type shown in Fig. 27. The liquid contents of the syringes 60 and 62 are transported through the outlet ports 316 and 318 from the joiner 302 into separate, spaced-apart ports 322 in the mixing chamber 320. The ports 322 lead to a common center outlet port 324. As before explained, the flow of the liquid contents through separate spaced-apart inlet ports 322 into a common outlet port 324 enhances the mixing effects of the chamber 320.

Fig. 30 shows yet another alternative embodiment of an introducer/mixer 326. In this embodiment, a molded joiner 328 includes female luer fittings 330, to receive the threaded male luer fittings 306 of the dispensing syringes 60 and 62. In this embodiment, the fittings 330 extend in a generally v-shape, at an angle and not parallel with respect to each. This allows the main body of the joiner 328 to be reduced in size. A syringe clip (not shown) can be used to link the syringe pistons coupled to the joiner 328 for simultaneous advancement.

In this alternative embodiment, the introducer/mixer 326 also does not include a separate channeled syringe support member (as shown by reference numeral 34 in Fig. 2). The molded strength of the female luer fittings 330 itself can be sufficient to support the syringes 60 and 62

- 52 -

during use. As Fig. 30 shows, an intermediate wall 332 can be provided between the fittings 330 to resist inward deflection of the syringes 60 and 62 during use.

5 As Fig. 30 shows, the joiner 328 includes criss-crossing interior channels 334 and 336, like those shown in Fig. 28. The channels 334 and 336 terminate with separate outlet ports 338 and 340, which, in use, are coupled to a mixing chamber 342 of the type
10 shown in Fig. 28 and previously described.

Of course, the joiners 302 and 328 can be coupled to other types of mixing chambers.

15 II. ARRESTING OR CONTROLLING LOSS OF BLOOD OR OTHER FLUIDS

Fig. 31 shows a system 410 of functional instruments for arresting or controlling the loss of blood or other fluids in body tissue.

20 During use, the instruments of the system 410 are brought to a compromised tissue region (shown as an incision INC in Figs. 32 and 33), where bleeding or loss of another body fluid is occurring, e.g., due to diffuse bleeding or anastomosis. The parts of the system 410 are manipulated by a physician or
25 medical support personnel to create a liquid material, which is immediately dispersed as a spray directly onto the surface of the compromised tissue region. The liquid material transforms as it is being dispersed as a result of cross-linking into an
30 *in situ*-formed non-liquid covering structure. The covering structure intimately adheres and conforms to the surface the compromised tissue region, as Fig. 3 best shows.

35 Due to the physical characteristics of the covering structure and the speed at which it forms

in situ, the presence of the covering structure mechanically arrests or blocks further blood or fluid loss from the compromised tissue region, without need for a hemostatic agent. The covering structure exists long enough to prevent blood or fluid leakage while the compromised tissue region heals by natural processes. The covering structure is, over time, degraded by hydrolysis by in the host body and cleared by the kidneys from the blood stream and removed in the urine.

In the illustrated embodiment (see Fig. 31), the system 410 is consolidated in two functional kits 412 and 414.

The kit 412 houses the component assembly 418, which contains the formative components from which the covering structure is created. The kit 412 holds the components in an unmixed condition until the instant of use.

The kit 414 contains a dispersing assembly 416. The dispersing assembly 416 brings the components in the assembly 418, while in liquid form, into intimate mixing contact. At the same time, the assembly 416 disperses the liquid mixture onto the surface of the compromised tissue region, to ultimately form the *in situ* covering structure.

The Covering Structure

The covering structure comprises a material that is chemically cross-linked, to form a non-liquid mechanical matrix or barrier.

In a preferred embodiment, the material of the covering structure is a protein/polymer composite hydrogel. The material is most preferably formed from the mixture of a protein solution and a solution of an electrophilic derivative of a hydrophilic polymer with a functionality of at least

three. The material is nontoxic, biodegradable, and possesses mechanical properties such as cohesive strength, adhesive strength, and elasticity sufficient to block or arrest diffuse organ
5 bleeding, or to block or arrest seepage as a result of anastomosis, or to seal lung punctures.

The material also permits the rate of cross-linking and gelation to be controlled through buffer selection and concentration. The rate of
10 degradation after cross-linking can be controlled through the selection of a degradation control region.

1. Material Components

In the illustrated embodiment (see Fig 31), the
15 component assembly 418 includes first and second dispensing syringes 460 and 462, in which the formative components of the covering structure are stored prior to use.

a. Natural Plasma-Based Protein

20 The first dispensing syringe 460 contains a concentration of buffered protein solution 500. The protein solution is supplemented with the appropriate buffers, sterile filtered, aseptically filled into the syringe 460, and the syringe 460 is
25 capped for storage prior to use.

Suitable proteins for incorporation into material include non-immunogenic, hydrophilic proteins. Examples include solutions of albumin, gelatin, antibodies, serum proteins, serum
30 fractions, and serum. Also, water soluble derivatives of hydrophobic proteins can also be used. Examples include collagen, fibrinogen, elastin, chitosan, and hyaluronic acid. The protein can be produced from naturally occurring source or
35 it may be recombinantly produced.

- 55 -

The preferred protein solution is 25% human serum albumin, USP. Human serum albumin is preferred due to its biocompatibility and its ready availability.

5 Buffer selection and concentration maintains the pH of the reactive mixture. Buffers that are well tolerated physiologically can be used. Examples include carbonate and phosphate buffer systems. Care should be taken to select buffers that do not
10 participate in or interfere with the cross-linking reaction. The preferred range of buffer concentration is from about 0.03 M to about 0.4 M, and the preferred range of pH is from about 7.0 to about 10.0. A preferred buffer system for the
15 covering structure is carbonate buffer at a concentration of 0.315 M at a pH value of about 9 to about 10. As will be described later, there is a relationship between pH and the time for cross-linking (also called "gelation").

20 **b. Electrophilic Water Soluble Polymer**

In the illustrated embodiment (still referring principally to Fig 31), the second dispensing syringe 462 contains an inert, electrophilic, water
25 soluble polymer 502. The polymer cross-links the protein to form an inert, three dimensional mechanical network or matrix. The matrix forms the mechanical covering structure. The covering structure adheres and conforms to the surface of the
30 tissue region on which it is dispensed. The covering structure is, over time, resorbed.

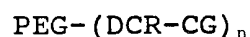
The polymer 502 comprises a hydrophilic, biocompatible polymer, which is electrophilically derivatized with a functionality of at least three.
35 A number of polymers could be utilized, including

poly(ethylene glycol), poly(ethylene oxide), poly(vinyl alcohol), poly(vinylpyrrolidone), poly(ethyloxazoline), and poly(ethylene glycol)-co-poly(propylene glycol) block copolymers.

5 The polymer portion is not restricted to synthetic polymers as polysaccharides, carbohydrates, and proteins could also be electrophilically derivatized.

10 Preferably, the polymer 502 is comprised of poly(ethylene glycol) (PEG) with a molecular weight between 1,000 and 30,000 g/mole, more preferably between 2,000 and 15,000 g/mole, and most preferably between 10,000 and 15,000 g/mole. PEG has been demonstrated to be biocompatible and non-toxic in a variety of physiological applications.

15 The preferred polymer can be generally expressed as compounds of the formula:



where:

20 DCR is a degradation control region.

CG is a cross-linking group.

$n \geq 3$

25 While the preferred polymer is a multi-armed structure, a linear polymer with a functionality of at least three can also be used. The desired functionality of the PEG polymer for forming the covering structure can be expressed in terms of (i) how quickly the polymer cross-links the protein and transforms to a nonfluent gel state (i.e., the mechanical material) (a preferred gelation time is 30 under three seconds), and (ii) the mechanical properties of the covering structure after gelation in terms of its liquid sealing characteristics, physical strength, resistance to fragmentation 35 (i.e., brittleness), and bioresorption. The

optimization of both attributes (i) and (ii) is desirable.

5 The inventors have discovered that the utility of a given PEG polymer significantly increases when the functionality is increased to be greater than or equal to three. The observed incremental increase in functionality occurs when the functionality is increased from two to three, and again when the functionality is increased from three to four.
10 Further incremental increases are minimal when the functionality exceeds about four.

The use of PEG polymers with functionality of greater than three provides a surprising advantage. When cross-linked with higher functionality PEG
15 polymers, the concentration of albumin can be reduced to 25% and below. Past uses of difunctional PEG polymers require concentrations of albumin well above 25%, e.g. 35% to 45%. Use of lower concentrations of albumin results in superior
20 sealing properties with reduced brittleness, facilitating reentry through the nonfluid material, without fragmentation. Additionally, 25% human serum albumin, USP is commercially available from several sources, however higher concentrations of
25 USP albumin are not commercially available. By using commercially available materials, the dialysis and ultrafiltration of the albumin solution, as disclosed in the prior art, is eliminated, significantly reducing the cost and complexity of
30 the preparation of the albumin solution.

In the illustrated embodiment, the polymer 502 is initially packaged prior to use in the second dispensing syringe 462 in an inert atmosphere (e.g., argon) in a stable, powder form. In this
35 arrangement, the component assembly 418 includes a

- 58 -

third syringe 504, which contains sterile water 506 for dissolution of the powder polymer 502 just before mixing with the albumin component 500.

5 In facilitating mixing, a stopcock valve 508 is secured to the luer fitting 488 at the dispensing end of the second dispensing syringe 462. The dispensing end 110 of the water syringe 504 couples to the stopcock valve 508, so that the water 106 can be mixed with the polymer 502 in the dispensing
10 syringe 562 prior to use.

The rate of degradation is controlled by the selection of chemical moiety in the degradation control region DCG. If degradation is desired, a hydrolytically or enzymatically degradable moiety
15 can be selected. The degradation control region DCR can be selected for the covering structure using the criteria previously described with respect to the polymer that, when cross-linked, forms the mechanical barrier for sealing a vascular puncture
20 site. The preferred degradable control regions for degradable materials are ester containing linkages, as are present when succinic acid or glutaric acid are coupled to a PEG molecule. The preferred degradable control regions for nondegradable
25 materials are ether containing linkages. The material can also be created without the introduction of a degradation control region.

The cross-linking group CG is responsible for the cross-linking of the albumin, as well as the
30 binding to the tissue substrate. The cross-linking group CG for the covering structure can be selected using the criteria previously described with respect to the polymer that, when cross-linked, forms the mechanical barrier for sealing a vascular puncture
35 site. The preferred cross-linking group is an active

ester, specifically an ester of N-hydroxysuccinimide.

To minimize the liberation of heat during the cross-linking reaction, the concentration of the cross-linking groups is preferably kept less than 5% of the total mass of the reactive solution, and more preferably about 1% or less. The low concentration of the cross-linking group is also beneficial so that the amount of the leaving group is also minimized. In a preferred embodiment, the cross-linking group portion comprising a N-hydroxysuccinimide ester has demonstrated ability to participate in the cross-linking reaction with albumin without presenting the risk of local or systemic immune responses in humans.

c. Preferred Multiple Arm PEG Polymer

In a preferred embodiment, the polymer is comprised of a 4-arm PEG with a molecular weight of about 10,000 g/mole, the degradation control region is comprised of glutaric acid, and the cross-linking group is comprised of a N-hydroxysuccinimide ester. Thus, a preferred polymer is poly(ethylene glycol) tetra-succinimidyl glutarate, which is available from Shearwater Polymers, Huntsville, AL. The preferred polymer will, in shorthand, be called 4-PEG-SG. The polymer is dissolved in water prior to use. Preferred concentrations of the polymer are from 5% to 35% w/w in water.

The solution of 4-PEG-SG mixes with 25% serum albumin to form a liquid solution that quickly cross-links to form a non-liquid, three dimensional network for the covering structure. With these material formulations, it is possible to intimately mix the water soluble polymer with the albumin

- 60 -

protein using, e.g., atomization, or static mixing, or in-line channel mixing.

As will be demonstrated later, the rate of reaction can be controlled by the pH of the reactive solution. An increase in temperature is not observed during formation of the covering structure network, due to the low concentration of reactive groups, which account for only about 1% of the total mass. In a typical clinical application, about 50 mg of a non-toxic leaving group is produced during the cross-linking reaction, which is a further desired result.

The resulting nonfluent material created by mixing 25% albumin and 4-PEG-SG is approximately 80% water, 13% albumin, and 7% PEG. The material is well tolerated by the body, without invoking a severe foreign body response. Over a controlled period of time, the material is degraded via hydrolysis. Histological studies have shown a foreign body response consistent with a biodegradable material, such as VICRYL™ sutures. As the material is degraded, the tissue returns to a quiescent state. The molecules of the degraded material are cleared from the bloodstream by the kidneys and eliminated from the body in the urine. In a preferred embodiment of the invention, the material loses its physical strength during the first twenty days, and total resorption occurs in about 4 weeks.

The following Examples demonstrate the superior features of the material of the invention.

Example 1: Preparation of Cross-Linked Networks

Cross-linked covering structure networks were formed by the mixture of an 4-PEG-SG and albumin. A solution of 4-PEG-SG was prepared by dissolving

0.40g in 2.0 mL of water. The albumin solution consisted 25% human serum albumin, USP (Plasbumin-25, Bayer Corporation), as received.

5 Dispensing syringes containing 2.0 mL of the polymer solution and 2.0 mL of albumin solution were connected to the joiner 84, to which a spray head was coupled. The solutions were sprayed into a polystyrene weigh boat. A cross-linked covering structure network formed at room temperature in
10 about 90 seconds.

Example 2: Control of the Rate of Gelation

The rate of formation of the cross-linked covering structure network of 4-PEG-SG and albumin (i.e., gelation) can be controlled by the pH of the
15 reactive solution. To increase the rate of cross-linking, the pH of the solution is increased, and conversely, to decrease the rate of cross-linking, the pH of the solution is decreased. The pH of the solution is controlled by both the buffer strength and buffer pH.
20

Table 1 shows the effect of buffer strength on the rate of gelation of 17% w/w 4-PEG-SG in water for injection and 25% human serum albumin, USP at room temperature. The rate of gelation can also be
25 controlled by adjusting the pH of the buffer at a constant buffer concentration. The buffer was placed in the solution of albumin. The gelation time is the amount of time required for the formulation to transform from the liquid state to the cross-linked
30 solid state.

Table 1: Effect of Buffer Strength and Buffer pH on Gel Formation

Buffer Concentration	Buffer pH	Gelation Time
300 mM	9	< 1 sec
200 mM	9	5 sec
100 mM	9	10 sec
50 mM	9	20 sec
0 mM	7	90 sec

The Dispersing assembly

10 As Fig. 34 shows, the dispersing assembly 416 comprises a material introducer/mixer 422. The material introducer/mixer 422 receives the two dispensing syringes 460 and 462. The material introducer/mixer 422 allows the physician to
 15 uniformly dispense the two components in a liquid state from the dispensing syringes 460 and 462.

The material introducer/mixer 422 also mixes the components while flowing in the liquid state from the dispensing syringes 460 and 462.

20 To accomplish these functions (see Fig. 34), the material introducer/mixer 422 includes syringe support 464. The support 464 includes side-by-side channels 466 (see Fig. 31, too). The channel 466 accommodates in a snap-friction-fit the barrels of
 25 the syringes 460 and 462.

The material introducer/mixer 422 also includes a syringe clip 468. The syringe clip 468 includes spaced apart walls 470 forming an interior race 472. The race 472 receives in a sliding friction fit the
 30 thumb rests 474 of the pistons 476 of the dispensing syringes 460 and 462, in axial alignment with the syringe barrels carried by the syringe support 464. The syringe clip 468 mechanically links the syringe pistons 476 together for common advancement inside

- 63 -

their respective syringe barrels.

To facilitate handling, the syringe support 464 includes opposed finger rests 480, and the syringe clip 468 includes a thumb rest 482. The orientation
5 of these rests 480 and 482 parallel the orientation of the finger rests and thumb rests of a single syringe. The physician is thereby able to hold and operate multiple syringes 460 and 462 in the same way as a single syringe.

10 The material introducer/mixer 422 also includes a joiner 484. The joiner 484 includes side by side female luer fittings 486. The female luer fittings 486 each receives the threaded male luer fitting 488 at the dispensing end of the dispensing syringes 460
15 and 462. The female luer fittings 486 are axially aligned with the barrels 478 of the dispensing syringes 460 and 462 carried in the syringe support 64.

The physician is thereby able to quickly and
20 conveniently ready the dispensing syringes 460 and 462 for use by securing the dispensing syringes to the joiner 484, snap fitting the syringe barrels 478 into the syringe support 464, and slide fitting the syringe thumb rests 474 into the clip 468.

25 The joiner 484 includes interior channels 490 coupled to the female luer fittings 486. The channels 490 merge at a Y-junction into a single outlet port 492. The joiner 484 maintains two fluids dispensed by the syringes 460 and 462
30 separately until they leave the joiner 484. This design minimizes plugging of the joiner 484 due to a mixing reaction between the two fluids. The syringe clip 468 ensures even application of individual solutions through the joiner 484.

35 The material introducer/mixer 422 further

- 64 -

includes a mixing spray head 494, which, in use, is coupled to the single outlet port 492. In Fig. 31, the kit 414 contains several interchangeable mixing spray heads 494, in case one mixing spray head 494 becomes clogged during use.

5

The mixing spray head 494 may be variously constructed. It may, for example, comprise a spray head manufactured and sold by Hemaedics.

Alternatively, the material introducer/mixer 422 can include a cannula 552, which, in use, can be coupled to the outlet port 492 instead of the mixing spray head (see Fig. 35).

10

Expressed in tandem from the dispensing syringes 460 and 462, which are mechanically linked together by the joiner 484, support 464, and clip 468, the two components of the barrier material come into contact in the liquid state either in the mixing spray head 494 or the cannula 552. Atomization of the two components occurs as they are dispersed through the mixing spray head 494 under pressure from operation of the mechanically linked dispensing syringes 460 and 462. Passage of the liquid components through the cannula 552 will channel-mix the materials. Either by atomization or channel mixing, the liquid components are sufficiently mixed to immediately initiate the cross-linking reaction.

15

20

25

The parts of the introducer/mixer 422 are made, e.g., by molding medical grade plastic materials, such as polycarbonate and acrylic.

30

The Kits

As Figs. 36A and 36B show, in the illustrated embodiment, each kit 412 and 414 includes an interior tray 512 made, e.g., from die cut cardboard, plastic sheet, or thermo-formed plastic material.

35

- 65 -

The component assembly 418 is carried by the tray 512 in the kit 412 (see Fig. 36A). The dispersing assembly 416 is carried by the tray 512 in the kit 414 (see Fig. 36B).

5 As shown in Fig. 36B, the kit 414 includes an inner wrap 514, which is peripherally sealed by heat or the like, to enclose the tray 512 from contact with the outside environment. One end of the inner wrap 114 includes a conventional peel away seal 516.
10 The seal 116 provides quick access to the tray 512 at the instant of use, which preferably occurs in a suitable sterile environment.

 The kit 414 is further wrapped in an outer wrap 518, which is also peripherally sealed by heat or
15 the like, to enclose the interior tray 512. One end of the inner wrap 518 includes a conventional peel away seal 520, to provide quick access to the interior tray 512 and its contents.

 The outer wrap 518 and the inner wrap 514 are
20 made, at least in part, from a material that is permeable to ethylene oxide sterilization gas, e.g., TYVEK™ plastic material (available from DuPont). Kit 12 is sterilized utilizing ethylene oxide gas or electron beam irradiation.

25 As shown in Fig. 36A, kit 412 includes a polymer package 538 (which contains the prefilled powder polymer syringe 462 and water syringe 504) and an albumin package 540 (which contains the prefilled albumin syringe 464). Each polymer package 138 and
30 albumin package 540 includes an individual wrap 542, which is peripherally sealed by heat or the like, to enclose package 538 and 540 from contact with the outside environment. One end of the individual wrap 542 includes a conventional peel away seal 544, to
35 provide quick access to the contents of the packages

- 66 -

538 and 540 at the instant of use.

Polymer package 538 and albumin package 540 are further wrapped in an outer wrap 518, which is also peripherally sealed by heat or the like. One end of
5 the outer wrap 518 includes a conventional peel away seal 548, to provide quick access to the packages 538 and 540. After sterilization treatment, the packages 538 and 540 and the tray 512 are further wrapped in container 546 for the user's convenience.

10 The wraps 542 and 518 are made, at least in part, from a material that is permeable to ethylene oxide sterilization gas, e.g., TYVEK™ plastic material (available from DuPont). The albumin
15 package 540 is prepared, sterilized utilizing ethylene oxide gas, and placed into kit 414. The polymer package 538 is prepared, sterilized utilizing electron beam irradiation, and place into kit 414.

In the illustrated embodiment, each kit 412 and
20 414 also preferably includes directions 522 for using the contents of the kit to carry out a desired procedure. The directions 522 can, of course vary, according to the particularities of the desired procedure. Furthermore, the directions 522 need not
25 be physically present in the kits 412 and 414. The directions 122 can be embodied in separate instruction manuals, or in video or audio tapes.

Using the System

30 1. Controlling or Arresting Diffuse Organ Bleeding

In this embodiment, exemplary directions 522 are described, which instruct the physician how to use of the system 410 to arrest diffuse bleeding of an injured or compromised body organ. In the
35 illustrated embodiment (see Fig. 37A), diffuse

- 67 -

bleeding is shown to occur diagrammatically through an incision in the organ.

5 The system 410 is applicable for use to control or arrest diffuse bleeding in diverse types of organs, e.g., the liver, spleen, kidney, or bone. The cause of diffuse bleeding that the system 10 controls or arrests can also vary. The diffuse bleeding can occur as a result of trauma or accidental injury. The diffuse bleeding can also occur during normal surgical intervention, e.g., by organ resection, or tumor excision, or (in the case of bone) by sternotomy, orthopedic procedure, or craniotomy. The diffuse bleeding can also occur through needle tracks formed during tissue biopsy, or by capillary bed bleeding, as a result of saphenous vein harvesting, adhesiolysis, or tumor removal. It should be appreciated that the effectiveness of the system 410 does not depend upon where the diffuse bleeding is occurring or its underlying cause.

20 When use of the system 410 is desired, the outer wrap 518 of the kits 412 and 414 are removed. The trays 512, still contained in the inner wraps 518, are placed in the sterile operating field. The physician opens the inner wrap 518 of the kit 412 to gain access the first, second, and third syringes 460, 462, and 504.

25 The directions 522 for use instruct the physician to remove from the kit tray 512 the second dispensing syringe 462, which contains, in sterile powder form, a predetermined amount of the polymer 502 (e.g., about 0.3 to 0.5 g). The directions 522 also instruct the physician to remove from the kit 412 the third syringe 504, which contains sterile water 506 (e.g., about 2 cc). Both are contained in

- 68 -

the polymer package 538.

As Fig. 40A shows, the directions 522 instruct the physician to couple the dispensing end of the water syringe 504 to the stopcock valve 508 on the second dispensing syringe 462. The stopcock valve 508 is closed at this point. As instructed by the directions 522, the physician opens the stopcock valve 508 (see Fig. 40B) and transfers water from the water syringe 504 into the powder 500 in the second dispensing syringe 462 (see Fig. 40C). The physician is instructed to repeatedly transfer the water and powder mixture between the two syringes 462 and 504, to syringe-mix the powder and water until all solids are dissolved. The syringe-mixing places the water soluble, polymer material into solution. The syringe-mixing process generally takes about two minutes.

After syringe mixing, the physician, following the directions 522, transfers the PEG solution 536 (about 2 cc) into one of the syringes (which, in the illustrated embodiment, is the second syringe 462). The physician waits for bubbles to dissipate, which generally takes about an additional two minutes.

According to the directions 522, the physician now closes the stopcock valve 508 (as Fig. 40D shows). The physician removes the stopcock valve 108 by unscrewing it from the luer fitting on the dispensing end of the second syringe 462. The PEG solution 536 is ready for use. Mixing of the PEG solution 536 should take place generally within one hour of use. If the PEG solution 536 remains unused over two hours after mixing, it should be discarded.

The directions 522 instruct the physician to remove from the second kit tray 512 the dispensing syringe 460 containing the albumin 500. As before

- 69 -

described, the albumin 500 has been premixed in a buffered form to the desired concentration (e.g., 25%), then sterile filtered, and aseptically filled into the syringe 460. A closure cap normally closes the dispensing end inside the tray 512.

The physician now, or at a previous time, opens the outer wrap 518 of the kit 414 to gain access to the material introducer/mixer 422. The directions 522 instruct the physician to remove the closure cap and screw the dispensing end of the first syringe 460 to the luer fitting 486 on the joiner 484. The physician is also instructed to screw the dispensing end of the second syringe 462 (now containing the mixed PEG solution 536) to the other luer fitting 486 on the joiner 484.

Following the directions 522, the physician snaps the barrels 478 of the syringes 460 and 462 to the holder channels 466. The physician captures the thumb rests 474 of the two syringes 460 and 462 inside the race 472 of the syringe clip 468. The directions 522 instruct the physician to attach the joiner 484 to the mixing spray head 494.

As Fig. 37B shows, the physician is instructed to position the mixing spray head 494 in a close relationship with the exposed site of diffuse bleeding on the organ. The physician applies manual pressure to the dispensing syringes 460 and 462. Albumin 500 from the first dispensing syringe 460 contacts the PEG solution 536 from the second dispensing syringe 462 in the mixing spray head 494. Atomization of the liquid components occurs through the mixing spray head 494 under pressure from operation of the mechanically linked dispensing syringes 460 and 462. The mixed liquids initiate the cross-linking reaction as they are dispersed

- 70 -

onto the organ surface. Within seconds (as determined by the gel time), the liquid material transforms by *in situ* cross-linking into a non-liquid structure covering the diffuse bleeding site. As Fig. 37C shows, the covering structure adheres and conforms to the organ surface, including entry into any incision, blunt penetration, or other surface irregularity from which the diffuse bleeding emanates. Due to speed of cross-linking and the physical properties of the covering structure, diffuse bleeding does not wash away or dilute the liquid material as it transforms into the covering structure.

As cross linking rapidly occurs at the surface of the organ, the covering structure entraps diffused blood. Diffuse bleeding just as rapidly stops as the structure forms *in situ*, without need of any hemostatic agent. The covering structure forms an *in situ* barrier against further bleeding on the surface of the organ. The covering structure exists long enough to prevent further blood or fluid leakage while the compromised organ heals by natural processes.

Example 3: Control of Bleeding from a Kidney Incision

A solution of 4-arm PEG succinimidyl glutarate, MW 10,000 (Shearwater Polymers, Huntsville, AL) was prepared by dissolving 0.40g in 2.0 mL of water for injection. The albumin solution consisted of 25% human serum albumin, USP (Plasbumin-25, Bayer Corporation), buffered with 195 mM sodium carbonate and 120 mM sodium bicarbonate. Syringes containing 2.0 mL of the polymer solution and 2.0 mL of the albumin solution were connected to a joiner and sprayhead (DuoFlow, Hemaedics, Brentwood, CA).

- 71 -

The kidney of a sedated pig was exposed. An incision approximately an inch long and a quarter inch deep was made on the surface of the kidney. The continual flow of blood was temporarily collected with gauze. The gauze was then removed and the sprayable hemostatic solution, consisting of the polymer and albumin syringes, was applied using digital pressure.

As the two solutions were mixed in the sprayhead, the crosslinking reaction began. As the atomized, mixed fluid landed on the surface of the bleeding kidney, the gelation of the solution occurred. The hydrogel adhered tenaciously to the surface of the kidney, preventing blood from flowing. The hydrogel also had sufficient cohesive strength to prevent rupture. Without the use of a hemostatic agent, hemostasis occurred instantaneously using the mechanical barrier of the hydrogel.

Example 4: Control of Bleeding from a Spleen Incision

A solution of 4-arm PEG succinimidyl glutarate, MW 10,000 (Shearwater Polymers, Huntsville, AL) was prepared by dissolving 0.40g in 2.0 mL of water for injection. The albumin solution consisted of 25% human serum albumin, USP (Plasbumin-25, Bayer Corporation), buffered with 195 mM sodium carbonate and 120 mM sodium bicarbonate. Syringes containing 2.0 mL of the polymer solution and 2.0 mL of the albumin solution were connected to a joiner and sprayhead (DuoFlow, Hemaedics, Brentwood, CA).

The spleen of a sedated pig was exposed. An incision approximately an inch long and a quarter inch deep was made on the surface of the spleen. The continual flow of blood was temporarily

- 72 -

collected with gauze. The gauze was then removed and the sprayable hemostatic solution, consisting of the polymer and albumin syringes, was applied using digital pressure.

5 As the two solutions were mixed in the sprayhead, the crosslinking reaction began. As the atomized, mixed fluid landed on the surface of the bleeding spleen, the gelation of the solution occurred. The hydrogel adhered tenaciously to the surface of the spleen, preventing blood from flowing. The hydrogel also had sufficient cohesive strength to prevent rupture. Without the use of a hemostatic agent, hemostasis occurred instantaneously using the mechanical barrier of the hydrogel.

10

15

Example 5: Control of Bleeding from a Liver Incision

A solution of 4-arm PEG succinimidyl glutarate, MW 10,000 (Shearwater Polymers, Huntsville, AL) was prepared by dissolving 0.40g in 2.0 mL of water for injection. The albumin solution consisted of 25% human serum albumin, USP (Plasbumin-25, Bayer Corporation), buffered with 195 mM sodium carbonate and 120 mM sodium bicarbonate. Syringes containing 2.0 mL of the polymer solution and 2.0 mL of the albumin solution were connected to a joiner and sprayhead (DuoFlow, Hemaedics, Brentwood, CA).

20

25

The liver of a sedated pig was exposed. An incision approximately an inch long and a quarter inch deep was made on the surface of the liver. The continual flow of blood was temporarily collected with gauze. The gauze was then removed and the sprayable hemostatic solution, consisting of the polymer and albumin syringes, was applied using digital pressure.

30

35

- 73 -

As the two solutions were mixed in the sprayhead, the crosslinking reaction began. As the atomized, mixed fluid landed on the surface of the bleeding liver, the gelation of the solution occurred. The hydrogel adhered tenaciously to the surface of the liver, preventing blood from flowing. The hydrogel also had sufficient cohesive strength to prevent rupture. Without the use of a hemostatic agent, hemostasis occurred instantaneously using the mechanical barrier of the hydrogel.

2. Controlling or Arresting Air Leaks From a Lung Incision

The exemplary directions 522 just described can be modified to instruct the physician how to use of the system 410 to control or arrest the leakage of air through a perforation or puncture in the lung caused, e.g., by trauma (see Fig. 38A).

In this embodiment, the instructions 522 instruct the physician to prepare the dispensing syringes 460 and 462 and coupled them to the joiner 84 in the manner previously set forth. The physician is instructed to attach the mixing spray head 484 and position the mixing spray head 494 in a close relationship with lung puncture site. The lung is deflated (see Fig. 38B).

In the manner previously described, the physician applies manual pressure to the dispensing syringes 460 and 462 (as Fig. 38B shows). Albumin 500 from the first dispensing syringe 460 contacts the PEG solution 536 from the second dispensing syringe 462 in the mixing spray head 494. Atomization of the liquid components also occurs through the mixing spray head 494 under pressure from operation of the mechanically linked dispensing syringes 460 and 462. The mixed liquids initiate

- 74 -

the cross-linking reaction as they are dispersed into contact with tissue surrounding the lung puncture site. Within seconds, the liquid material transforms by *in situ* cross-linking into a non-liquid structure covering the puncture site (see Fig. 38C). Air leaks through the puncture site stop as the structure forms *in situ*. The covering structure exists long enough to prevent further air leaks, while the lung tissue heals by natural processes.

Example 5: Control of Air Leaks from a Lung Incision

A solution of 4-arm PEG succinimidyl glutarate, MW 10,000 (Shearwater Polymers, Huntsville, AL) was prepared by dissolving 0.40g in 2.0 mL of water for injection. The albumin solution consisted of 25% human serum albumin, USP (Plasbumin-25, Bayer Corporation), buffered with 195 mM sodium carbonate and 120 mM sodium bicarbonate. Syringes containing 2.0 mL of the polymer solution and 2.0 mL of the albumin solution were connected to a joiner and sprayhead (DuoFlow, Hemaedics, Brentwood, CA).

The lung of a euthanized, intubated pig was exposed. An incision approximately an inch long and a quarter inch deep was made on the surface of the lung. An air leak was confirmed by manually inflated the lung and listening for the hissing sound of air leaks. The lung was deflated and the surgical sealant, consisting of the polymer and albumin syringes, was applied using digital pressure.

As the two solutions were mixed in the sprayhead, the crosslinking reaction began. As the atomized, mixed fluid landed on the surface of the lung, the gelation of the solution occurred. The

hydrogel was firmly adherent to the surface of the lung. After about 10 seconds, the lungs were manually inflated and examined for the presence of air leaks. The hydrogel remained firmly attached to the lung tissue, even during and after the expansion of the lungs. Air leaks were not present after the application of the hydrogel surgical sealant. The hydrogel showed sufficient adhesion, cohesion, and elasticity to seal air leaks of lung tissue.

3. Sealing Anastomosis

The exemplary directions 522 just described can be modified to instruct the physician how to use of the system 410 as a surgical sealant along suture lines or about surgical staples, forming an anastomosis (see Fig. 39A). The sutures or staples can be used, e.g., to join blood vessels, bowels, ureter, or bladder. The sutures or staples can also be used in the course of neurosurgery or ear-nose-throat surgery.

In this embodiment, the instructions 522 instruct the physician to prepare the dispensing syringes 460 and 462 and coupled them to the joiner 484 in the manner previously set forth. The physician is instructed to attach the mixing spray head 484 and position the mixing spray head 494 in a close relationship with the anastomosis (as Fig. 39B shows).

In the manner previously described, the physician applies manual pressure to the dispensing syringes 460 and 462. Albumin 500 from the first dispensing syringe 460 contacts the PEG solution 536 from the second dispensing syringe 462 in the mixing spray head 494. Atomization of the liquid components also occurs through the mixing spray head 494 under pressure from operation of the

- 76 -

mechanically linked dispensing syringes 460 and 462. The mixed liquids initiate the cross-linking reaction as they are dispersed into contact with tissue along the anastomosis (see Fig. 39B). Within
5 seconds, the liquid material transforms by *in situ* cross-linking into a non-liquid structure covering the anastomosis (see Fig. 39C). Blood or fluid seepage through the anastomosis stop as the structure forms *in situ*. The covering structure
10 exists long enough to prevent further blood or fluid leaks, while tissue along the anastomosis heals by natural processes.

It should be appreciated that the compositions, systems, and methods described are applicable for
15 use to control or arrest bleeding or fluid leaks in tissue throughout the body, including by way of example, the following surgical sites and indications:

(i) In general surgery, such as in the liver
20 (resection, tumor excision or trauma); in the spleen (trauma or iatrogenic capsular avulsion; oncology in general (excision of tumors); or laparoscopic cholecystectomy (Lapchole) (to control bleeding from the gall bladder bed);

25 (ii) In vascular surgery, such as peripheral vascular procedures; anastomosis sites (carotid, femoral and popliteal arteries); or aneurysms;

(iii) In the head, such as craniotomy (to
30 control bone bleeding from cut bone edges or bleeding from soft tissue); or superior sagittal sinus (to control bleeding from damage to thin wall sinus and access to sinus);

(iv) To treat arteriovenous malformation (AVM)
35 (to control blood vessel bleeding from smaller vessels);

- 77 -

(v) To treat tumor complications, such as tumor bed bleeding or damage to soft tissue due to excisions;

5 (vi) To treat hematomas, such as in the control of bleeding in soft tissues and adjacent to vessels;

10 (vii) In orthopedic applications, such as laminectomy or discectomy, to control bone bleeding from the vertebrae; or spinal reconstruction and fusion, to control epidural vessels and vertebral bleeders; or in hip and knee replacements, to control of bleeding in smooth muscle tissue, soft tissue;

15 (viii) In cardiovascular and thoracic surgery, such as control of anastomosis sites in coronary artery bypass graft (C.A.B.G.); aorta reconstruction and repair, to control bleeding in surrounding tissue; or chest cavity access through the sternum, to control bone bleeding or soft tissue bleeding;

20 (ix) In urology, such as retropubic prostatectomy, to control bleeding in soft tissue; or partial nephrectomy, to control parenchymal bleeding; in bladder substitution, uretero-intestinal anastomosis; urethral surgery; open
25 urethral surgery; or vasovasostomy;

(x) In ear-neck-throat surgery, such as during clearing of the frontal, thmoid, sphenoid and maxillary sinuses; or in polyp removal;

30 (xi) In plastic and reconstructive surgery, such as face lifts, rhinoplasty, blepharoplasty, or breast surgery;

(xii) In emergency procedures involving trauma, tissue fracture, or abrasions.

The features of the invention are set forth in the following claims.

We Claim:

1. A biocompatible and biodegradable barrier material applied to seal a vascular puncture site comprising a compound chemically cross-linked without use of an enzyme to form a non-liquid mechanical matrix.
2. A barrier material according to claim 1 wherein the compound includes a protein.
3. A barrier material according to claim 2 wherein the protein includes recombinant or natural serum albumin.
4. A barrier material according to claim 1 wherein the compound includes a polymer.
5. A barrier material according to claim 4 wherein the polymer includes poly(ethylene) glycol (PEG).
6. A barrier material according to claim 5 wherein the PEG comprises a multi-armed polymer.
7. A biocompatible and biodegradable barrier material applied to seal a vascular puncture site comprising a mixture of a first liquid component and a second liquid component chemically cross-linked, without use of an enzyme, to form a non-liquid mechanical matrix.
8. A barrier material according to claim 7 wherein the first liquid component includes a protein.
9. A barrier material according to claim 8 wherein the protein includes recombinant or natural serum albumin.
10. A barrier material according to claim 7 wherein the second liquid component includes a polymer.
11. A barrier material according to claim 10

- 79 -

wherein the polymer includes poly(ethylene) glycol (PEG).

12. A barrier material according to claim 11 wherein the PEG comprises a multi-armed polymer.

5 13. A biocompatible barrier material comprising a mixture of a protein solution and a polymer solution including a derivative of a hydrophilic polymer with a functionality of at least three, wherein, upon mixing, the protein solution and the polymer solution cross-link to form a mechanical non-liquid matrix.

14. A barrier material according to claim 13, wherein the protein solution comprises recombinant or natural human serum albumin.

15. A barrier material according to claim 14, wherein the human serum albumin is at a concentration of about 25% or less.

16. A barrier material according to claim 13, wherein the polymer is comprised of poly(ethylene glycol) (PEG).

17. A barrier material according to claim 16, wherein the PEG comprises a multi-armed polymer structure.

18. A barrier material according to claim 17, wherein the polymer structure has a functionality of four.

5 19. A biocompatible and biodegradable material applied to arrest the flow of blood or fluid from body tissue or to arrest diffuse bleeding comprising a hydrogel compound free of a hemostatic agent.

20. A material according to claim 19 wherein the hydrogel compound includes a protein.

- 80 -

21. A material according to claim 19 wherein the protein includes recombinant or natural serum albumin.

22. A material according to claim 19 wherein the hydrogel compound includes poly(ethylene) glycol (PEG).

23. A material according to claim 22 wherein the PEG comprises a multi-armed polymer.

24. A material according to claim 22, wherein the PEG has a functionality of four.

5 25. A biocompatible and biodegradable material applied to arrest the flow of blood or to seal tissue comprising a mixture of a protein solution and a polymer solution including a derivative of a hydrophilic polymer with a functionality of at least three, wherein, upon mixing, the protein solution and the polymer solution cross-link to form a mechanical non-liquid covering structure.

26. A material according to claim 25, wherein the polymer is comprised of poly(ethylene glycol) (PEG).

27. A material according to claim 26, wherein the PEG has a molecular weight of between about 1,000 and about 30,000 g/mole.

28. A material according to claim 26, wherein the PEG comprises a multi-armed polymer structure.

5 29. A material according to claim 25, wherein the polymer comprises a compound of the formula PEG-(DCR-CG)_n, where PEG is poly(ethylene glycol), DCR is a degradation control region, CG is a cross-linking group, and n is equal to or greater than three.

30. A material according to claim 29, wherein the compound comprises a multi-armed polymer

structure.

31. A material according to claim 25, wherein the protein solution comprises recombinant or natural human serum albumin.

32. A material according to claim 31, wherein the human serum albumin is at a concentration of about 25% or less.

33. A system for applying in contact with a tissue region a biocompatible, non-liquid matrix comprising

5 a delivery device defining a fluid delivery channel movable into association with the tissue region,

a first dispenser containing a protein solution,

10 a second dispenser containing a polymer solution including a derivative of a hydrophilic polymer with a functionality of at least three, and

an introducer attachable in communication with the fluid delivery channel and including a holder to mutually support the first and second dispensers
15 while conveying the protein solution and polymer solution from the dispensers into the fluid delivery channel for mixing as a result of flow through the channel, wherein, upon mixing, the protein solution and the polymer solution cross-link to form the non-
20 liquid matrix.

34. A system according to claim 33

5 wherein the introducer includes an actuator to mechanically link the dispensers to convey the protein solution and the polymer solution simultaneously into the fluid delivery channel for mixing.

35. A system according to claim 33

wherein the delivery device comprises a

cannula.

36. A system according to claim 33 wherein the delivery device comprises a sprayer.

37. A system according to claim 33 wherein the delivery device comprises a catheter tube.

38. A system according to claim 33 wherein the dispensers comprise syringes.

39. A system according to claim 33 wherein the protein solution includes recombinant or natural serum albumin.

40. A system according to claim 33 wherein the polymer includes poly(ethylene) glycol (PEG).

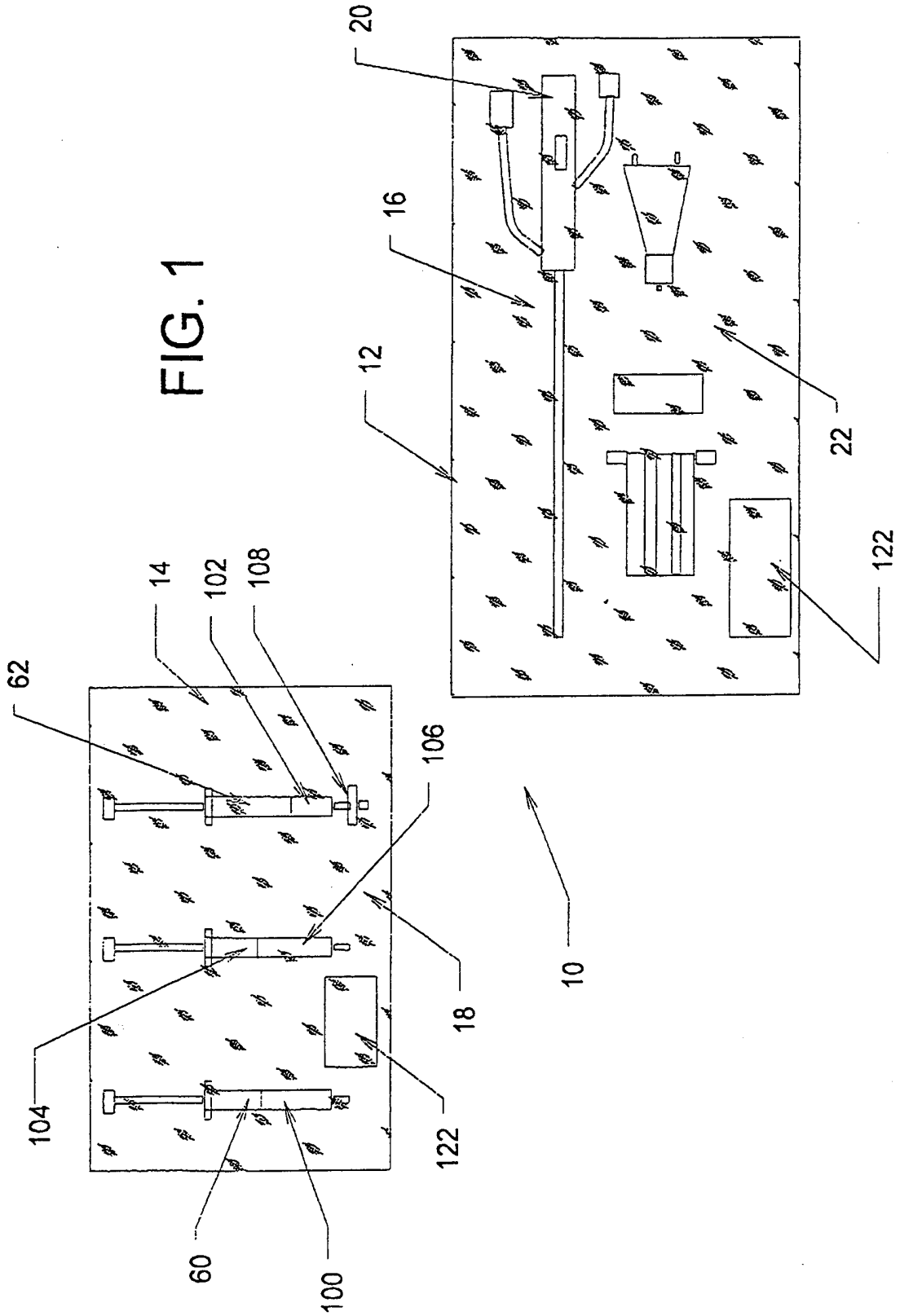
41. A system according to claim 40 wherein the PEG comprises a multi-armed polymer.

42. A method for creating a biocompatible matrix comprising the steps of mixing a protein solution and a polymer solution including a derivative of a hydrophilic polymer with a functionality of at least three, wherein, upon mixing, the protein solution and the polymer solution cross-link to form a mechanical non-liquid matrix.

43. A method for creating a biocompatible matrix comprising the steps of providing a protein solution, providing a polymer solution including a derivative of a hydrophilic polymer with a functionality of at least three, and mixing the protein and polymer solutions by dispensing the protein solution and the polymer solution into a channel, wherein, upon mixing, the

- 10 protein solution and the polymer solution cross-link to form a mechanical non-liquid matrix.

FIG. 1



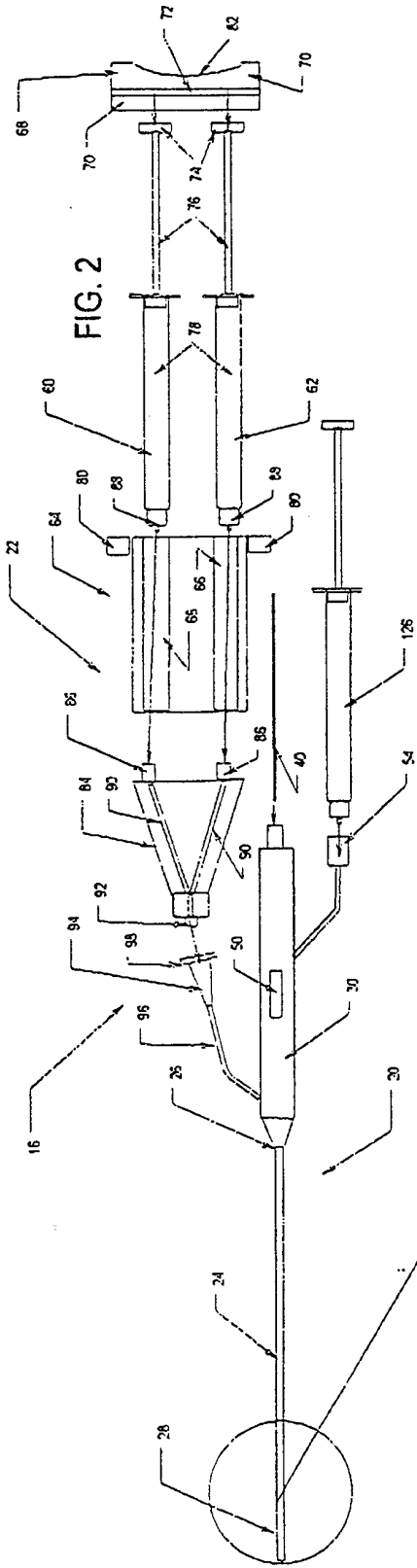


FIG. 2

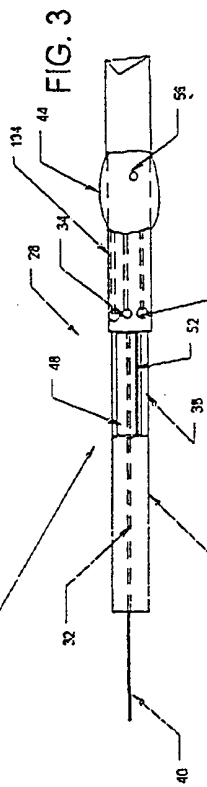


FIG. 3

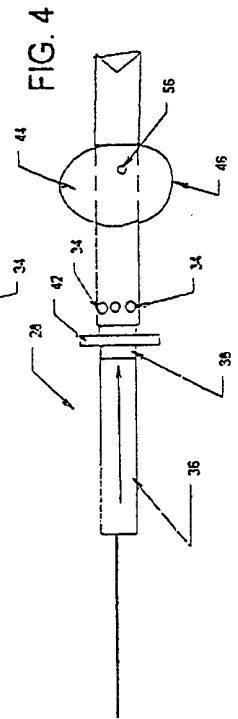
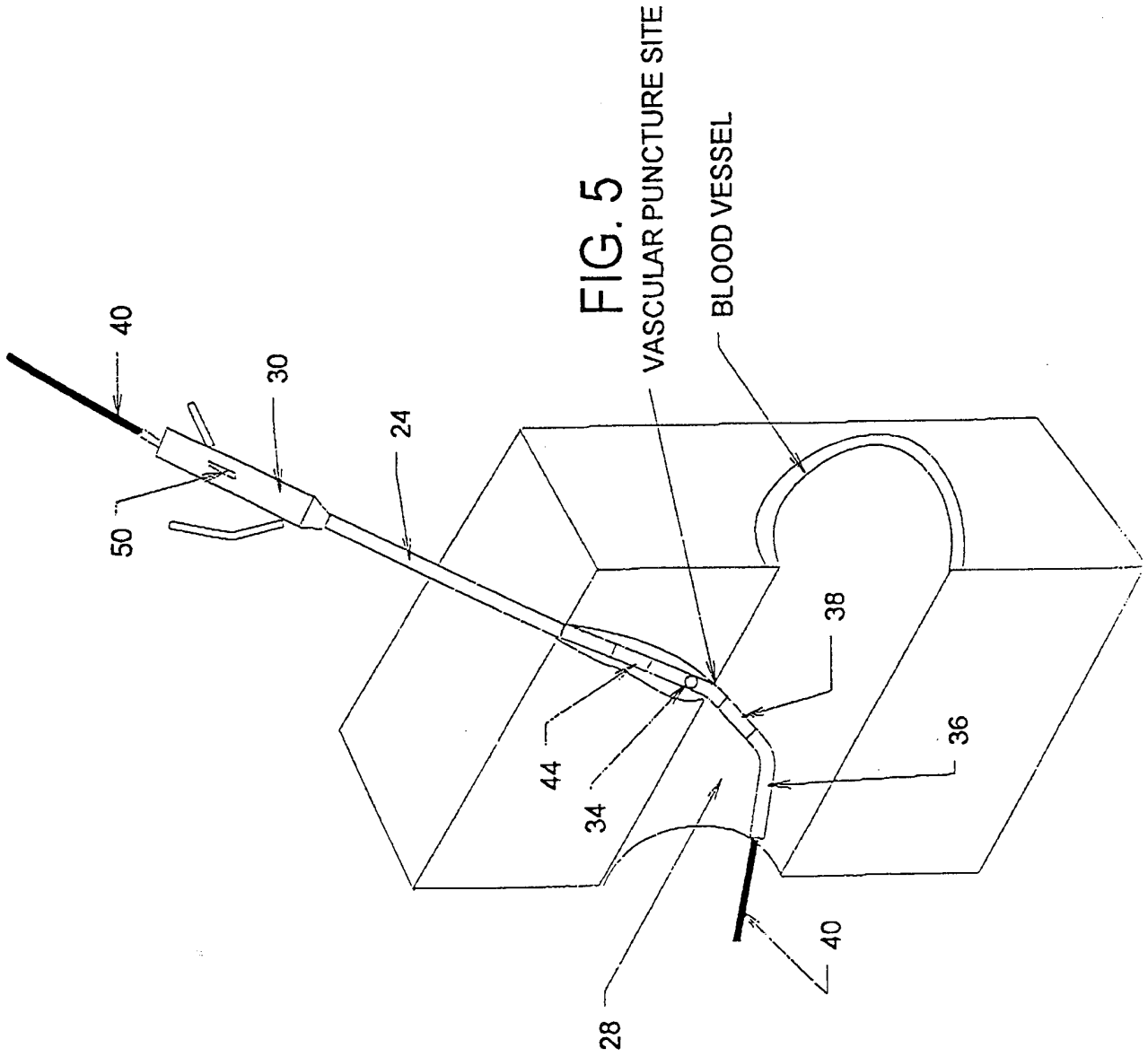
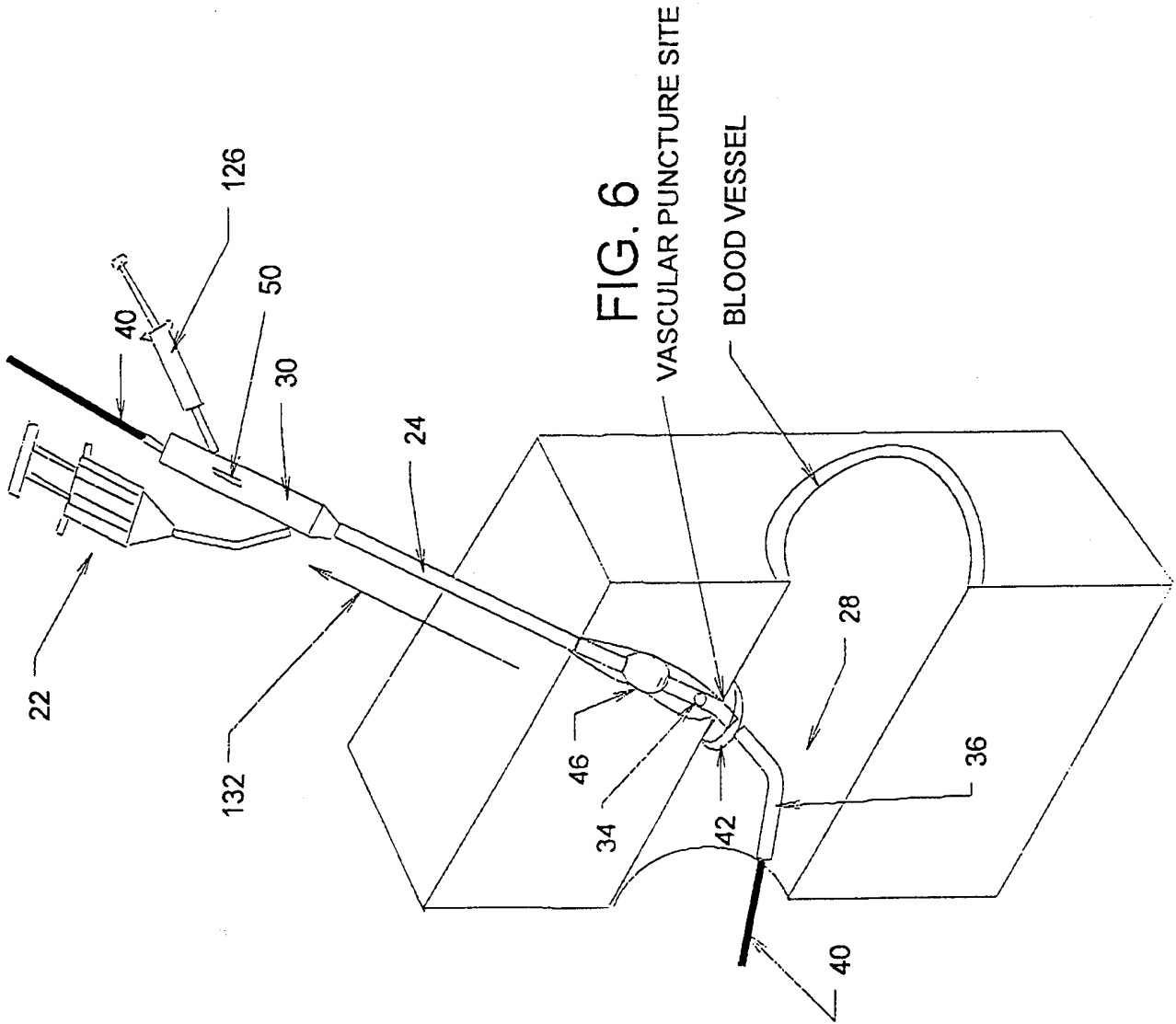


FIG. 4





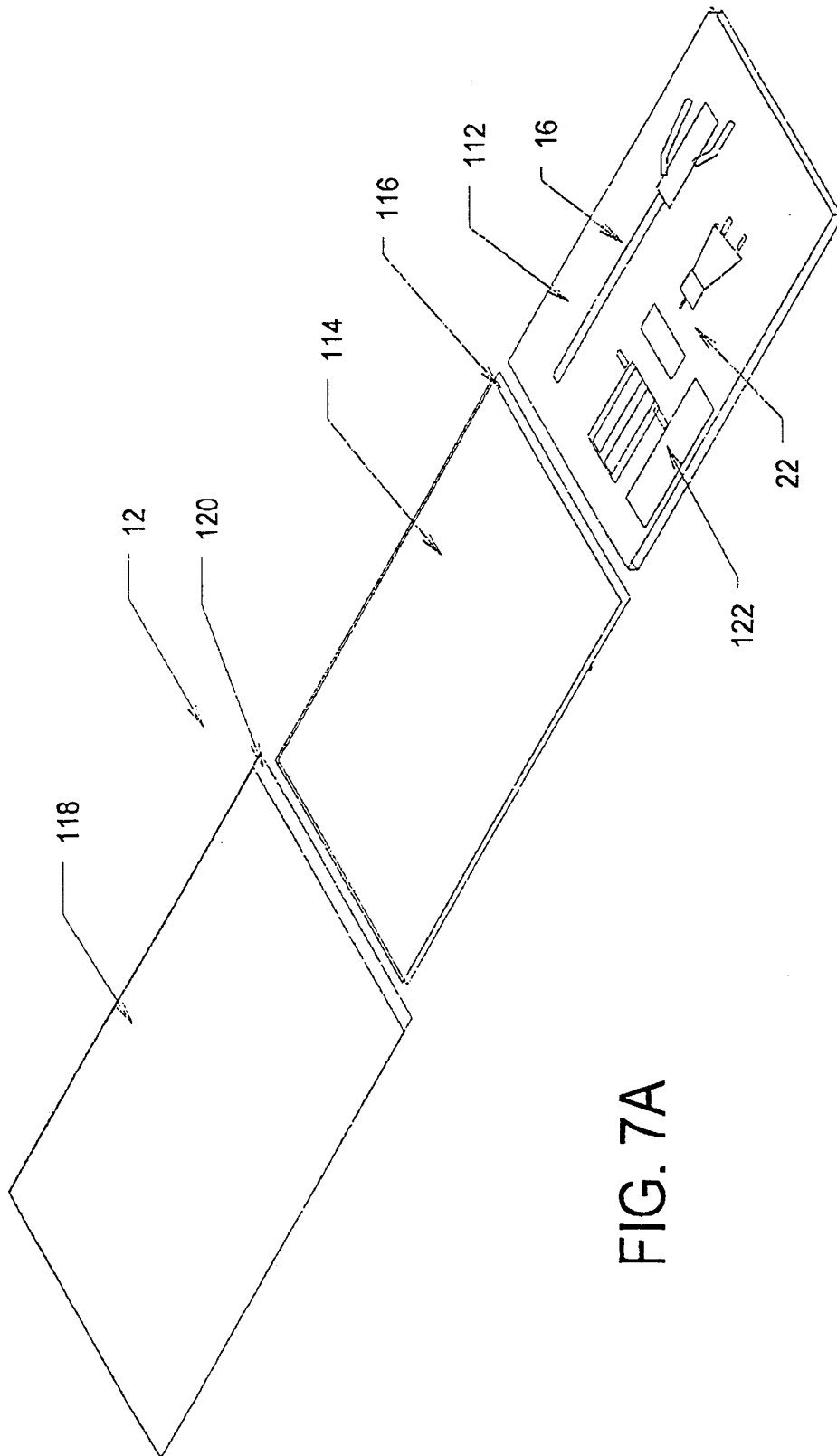


FIG. 7A

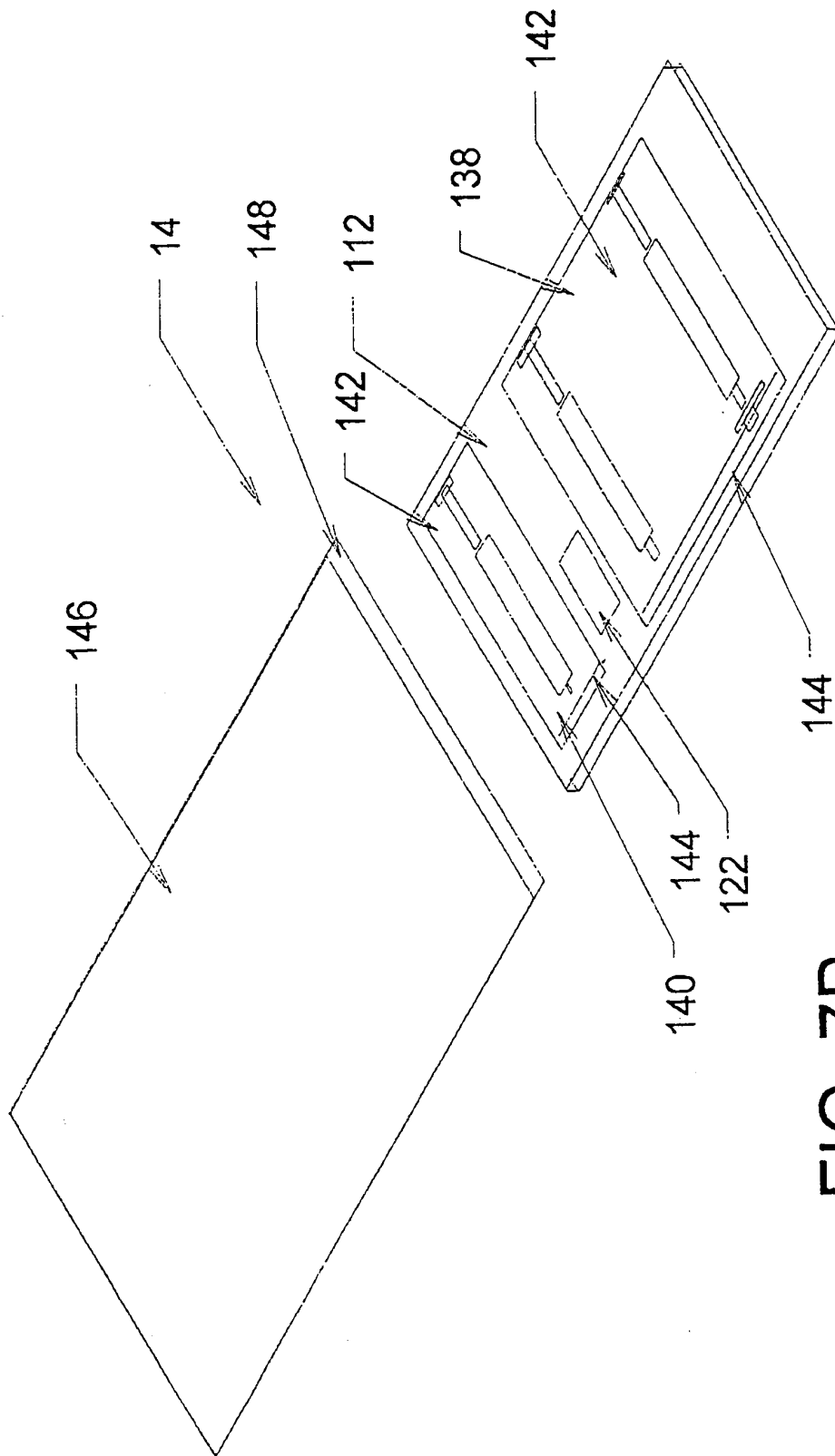
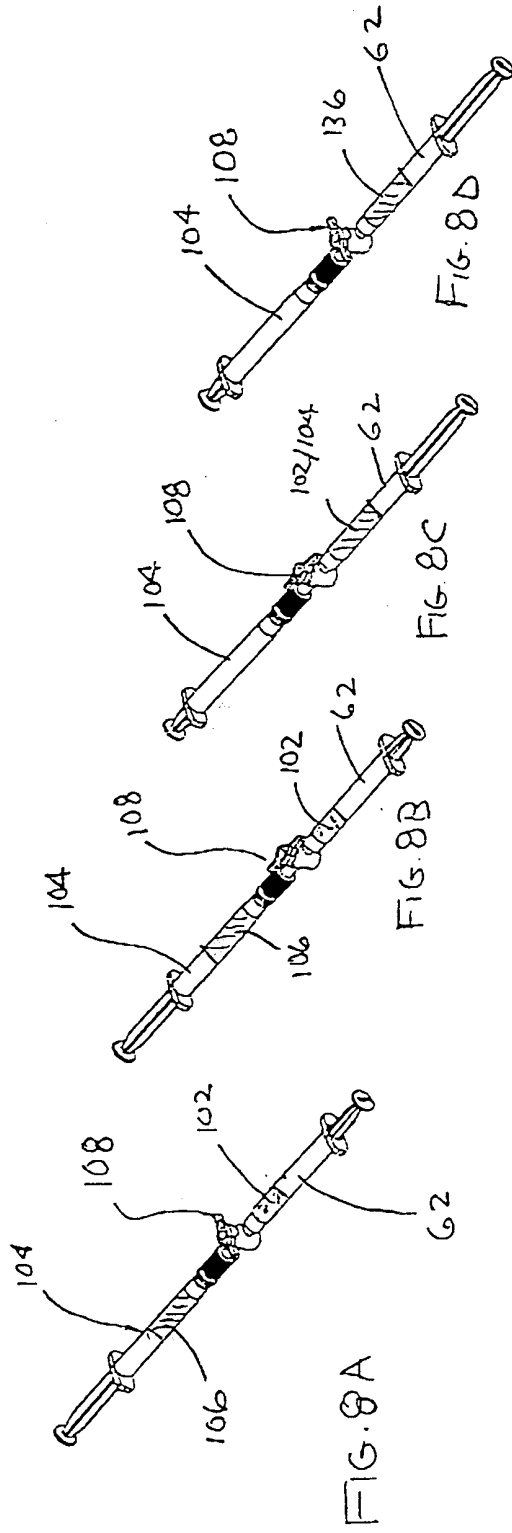
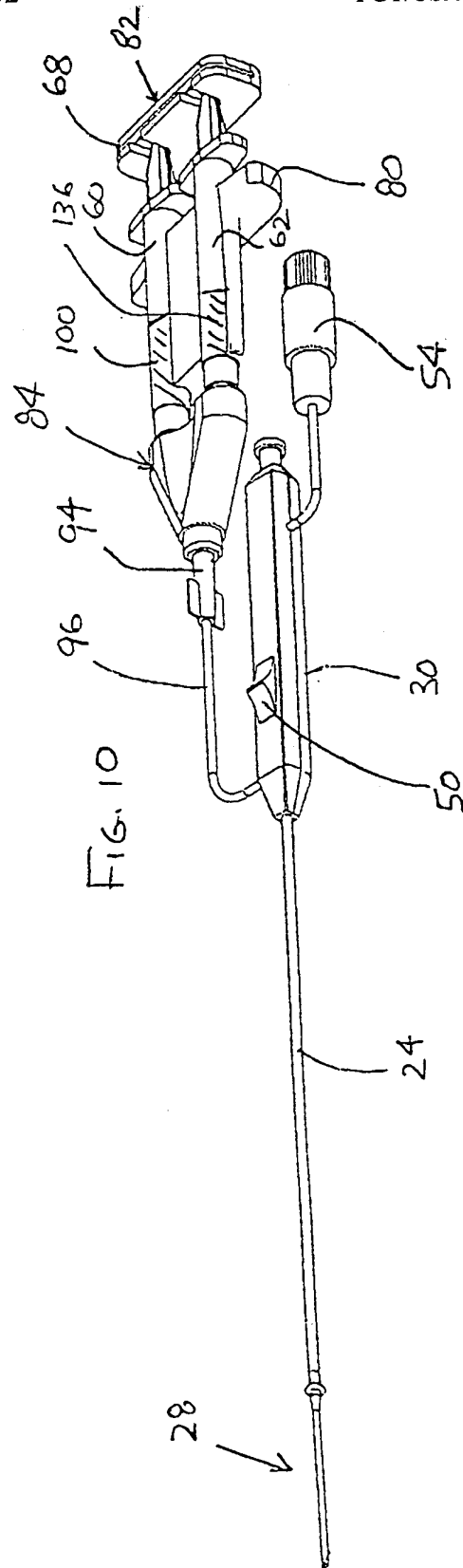
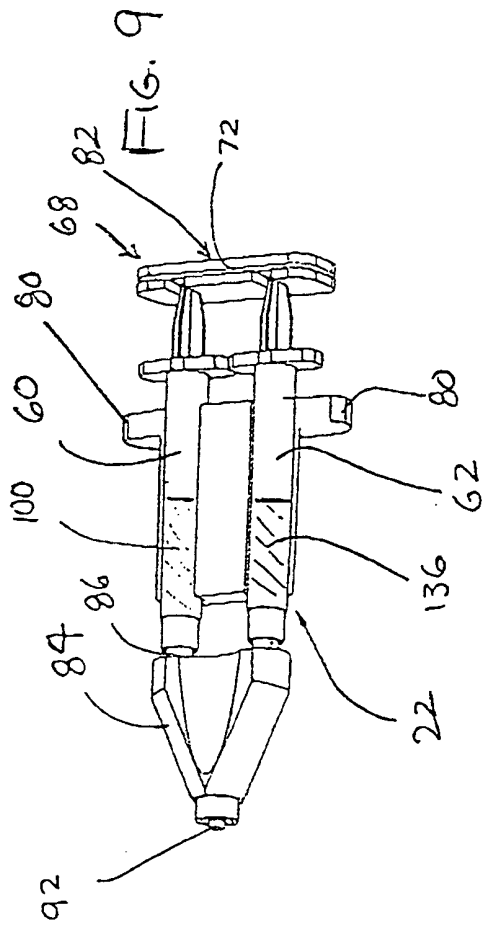
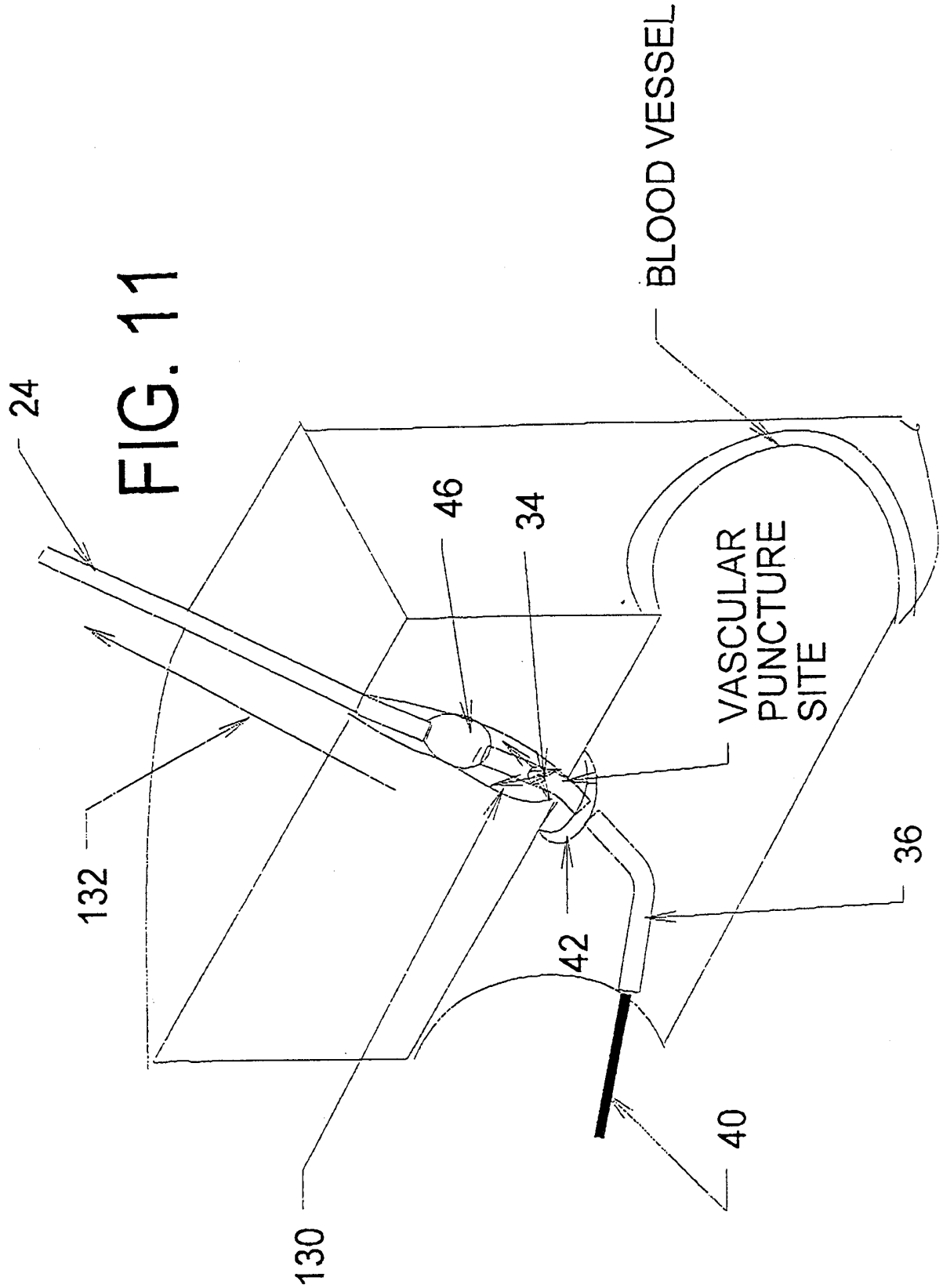


FIG. 7B







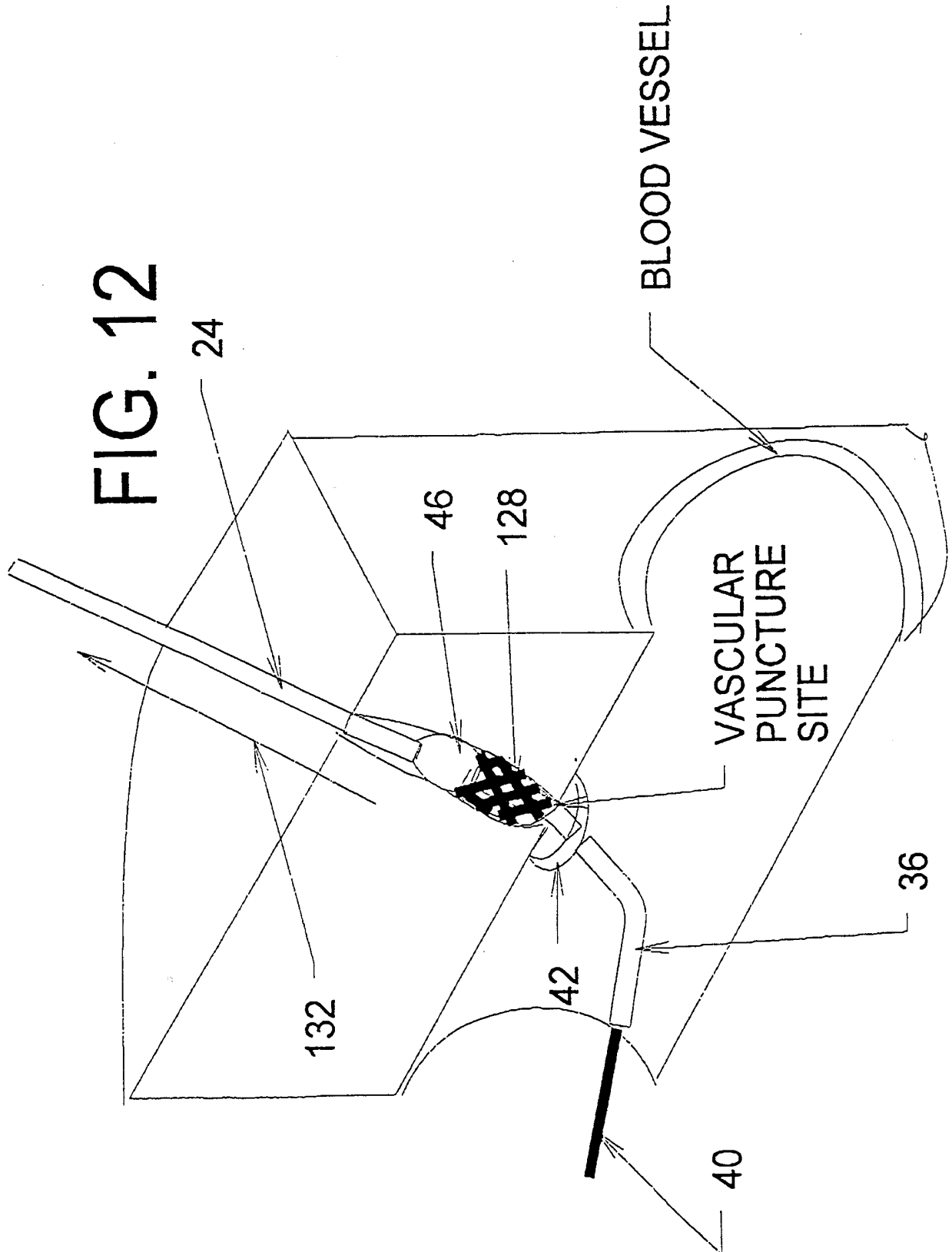
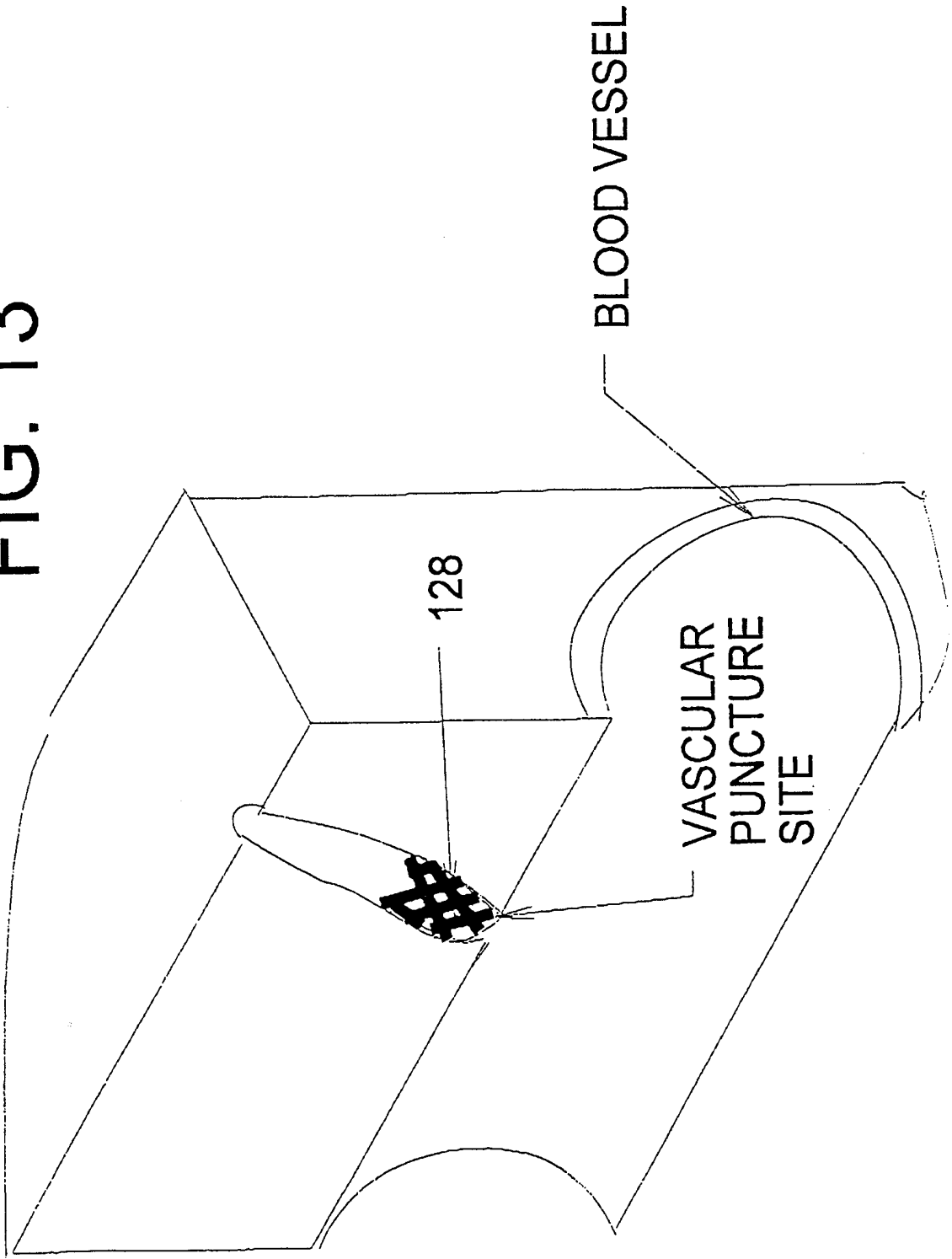
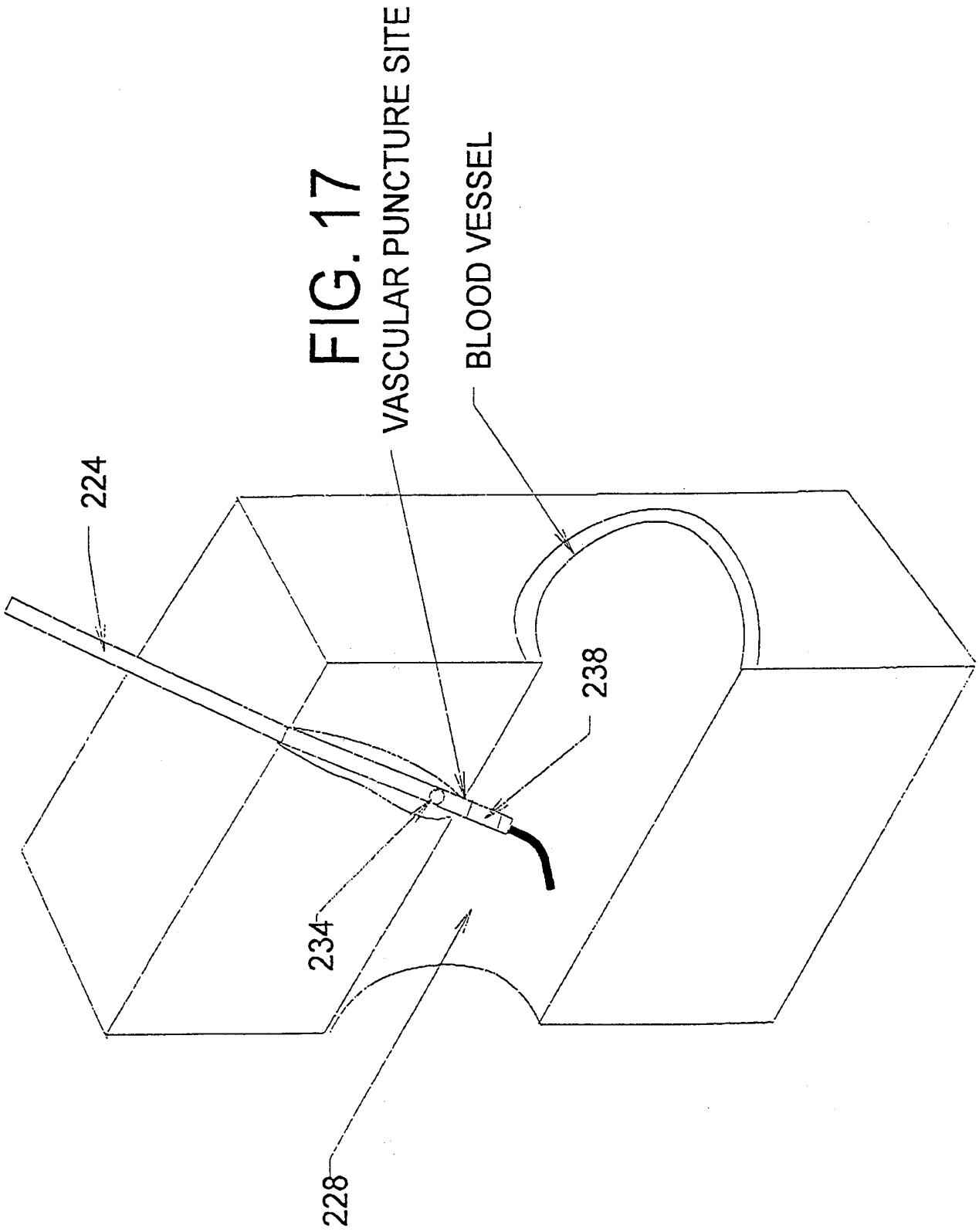


FIG. 13





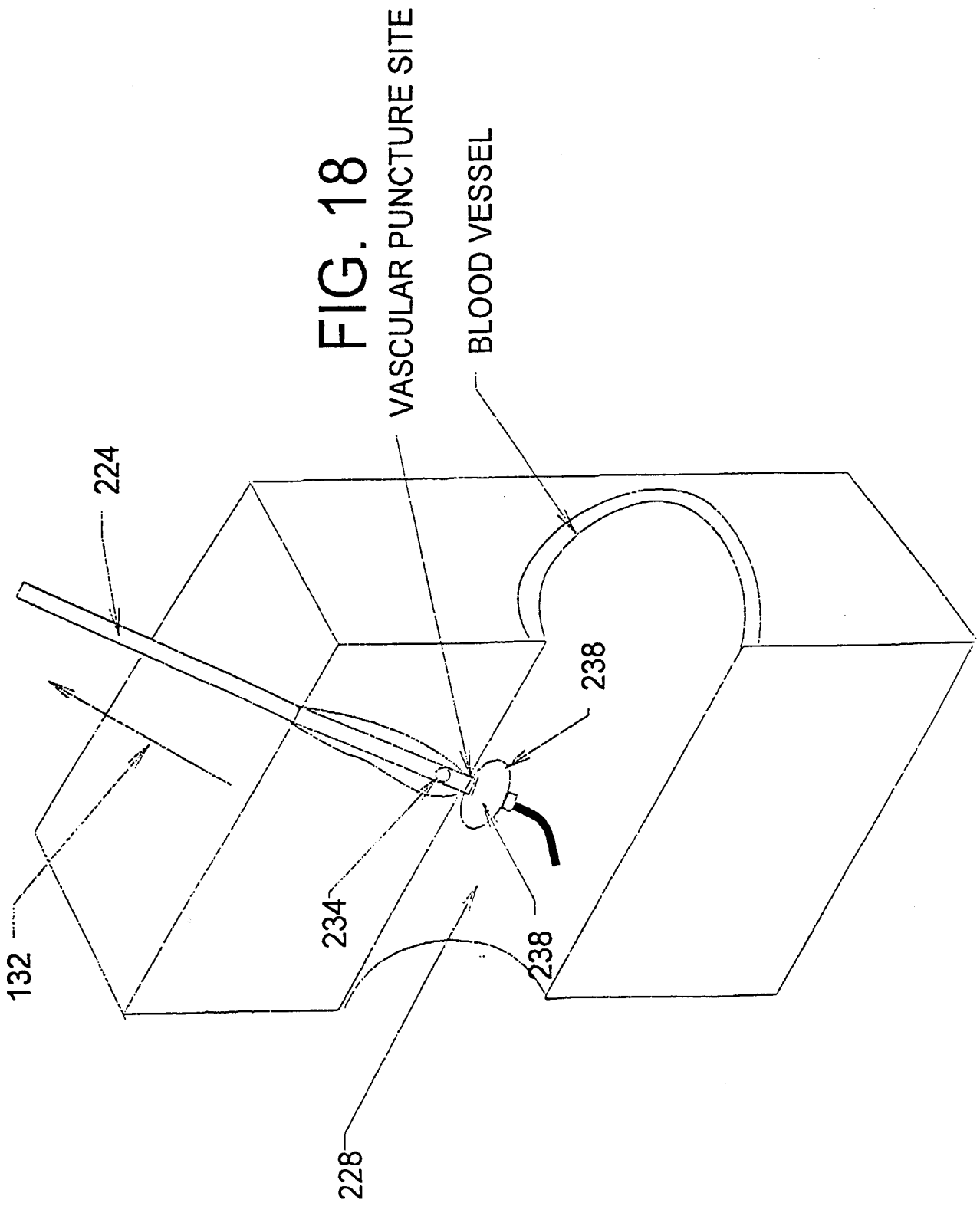
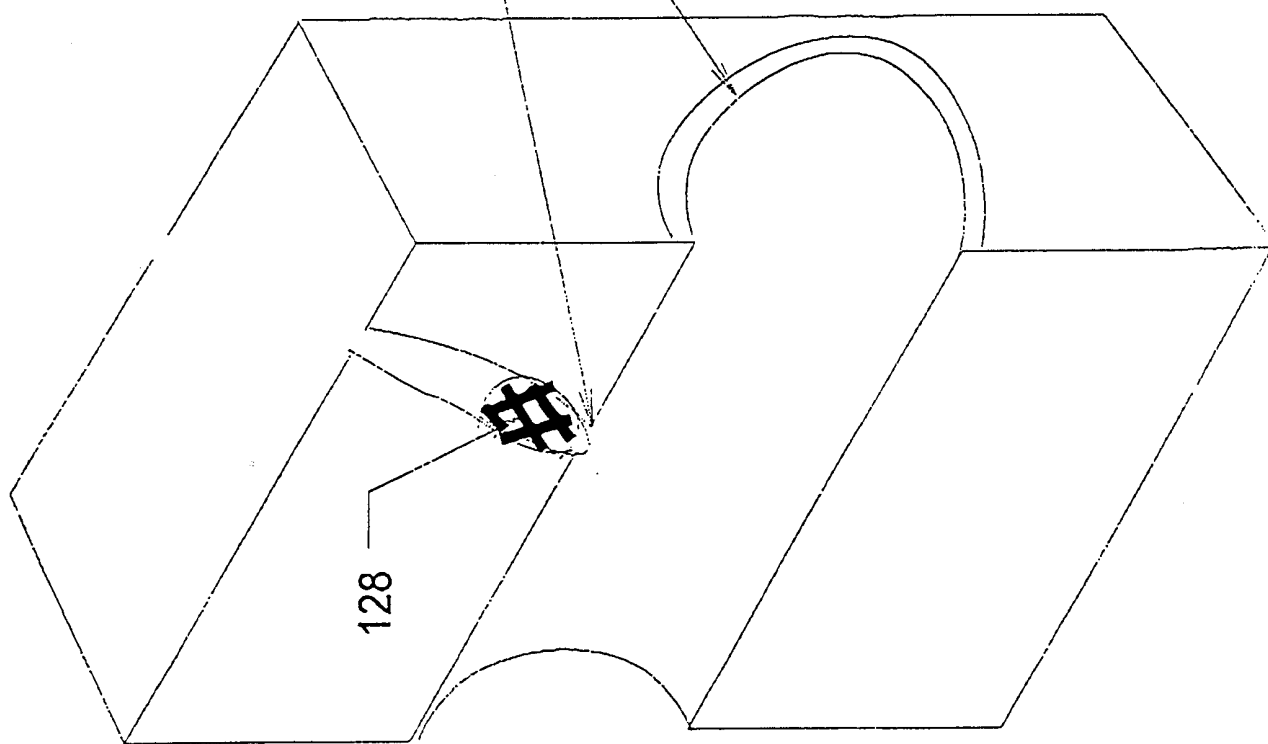
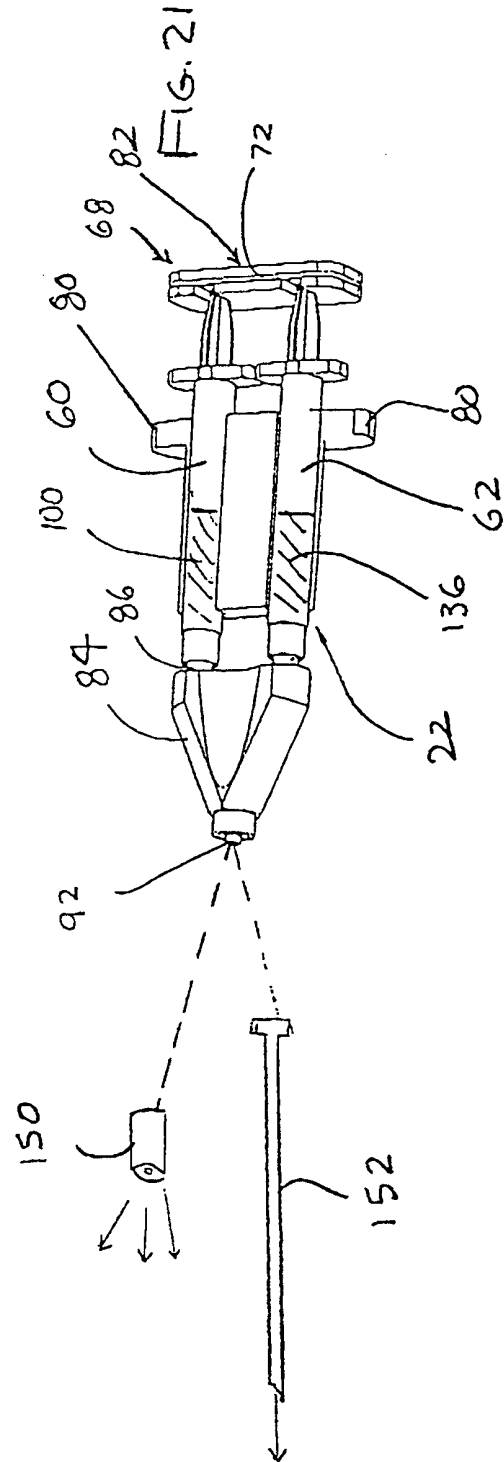
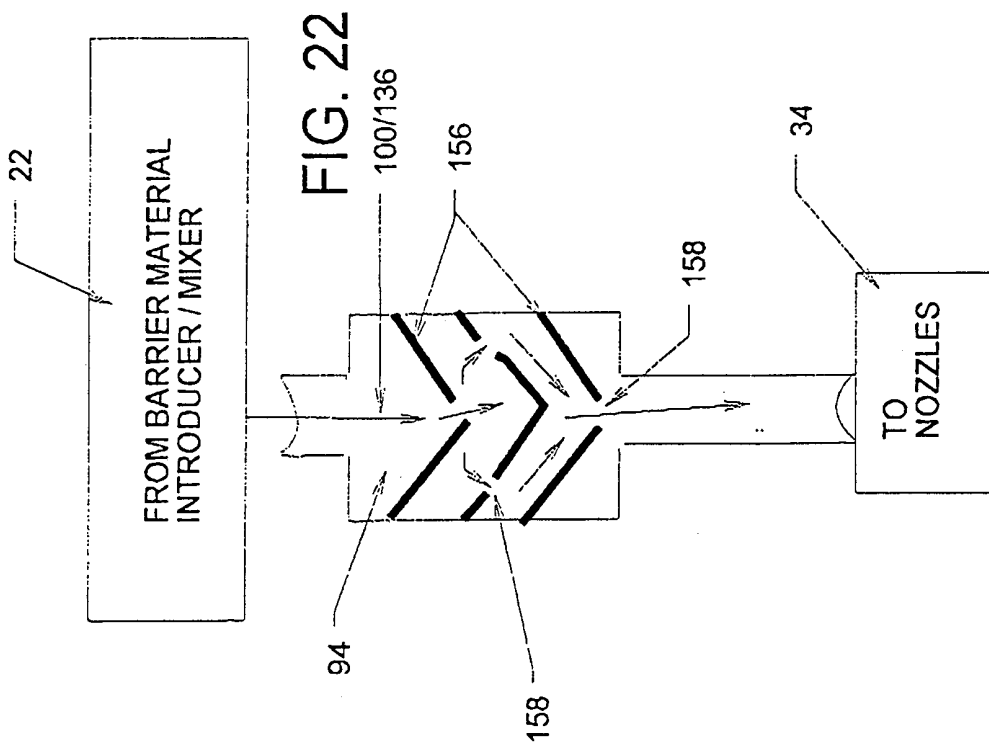
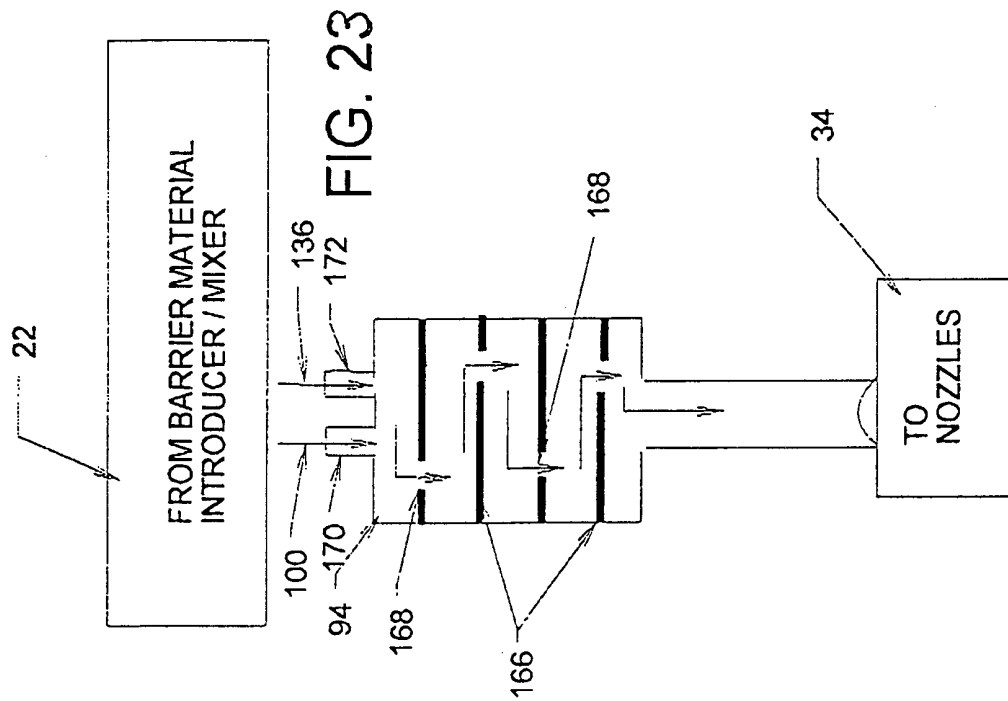


FIG. 20
VASCULAR PUNCTURE SITE

BLOOD VESSEL







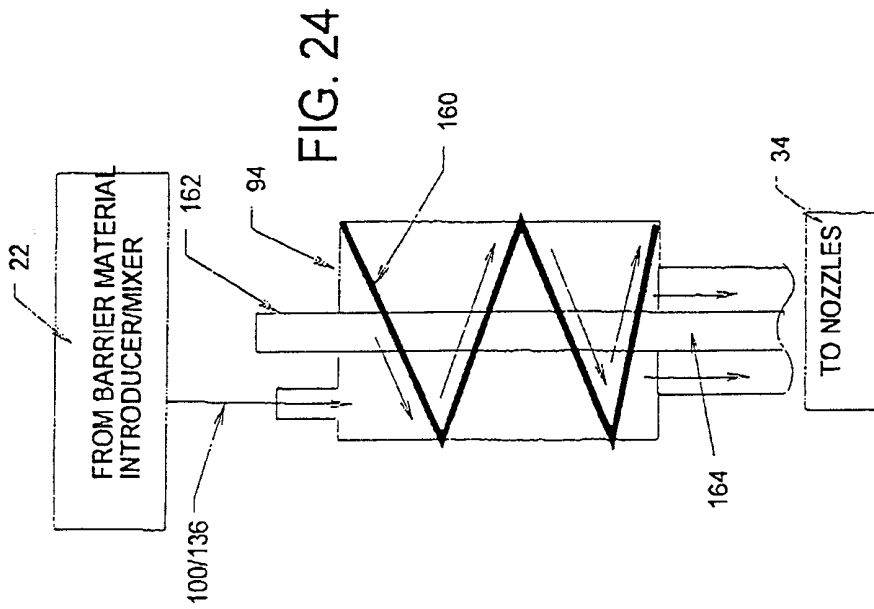
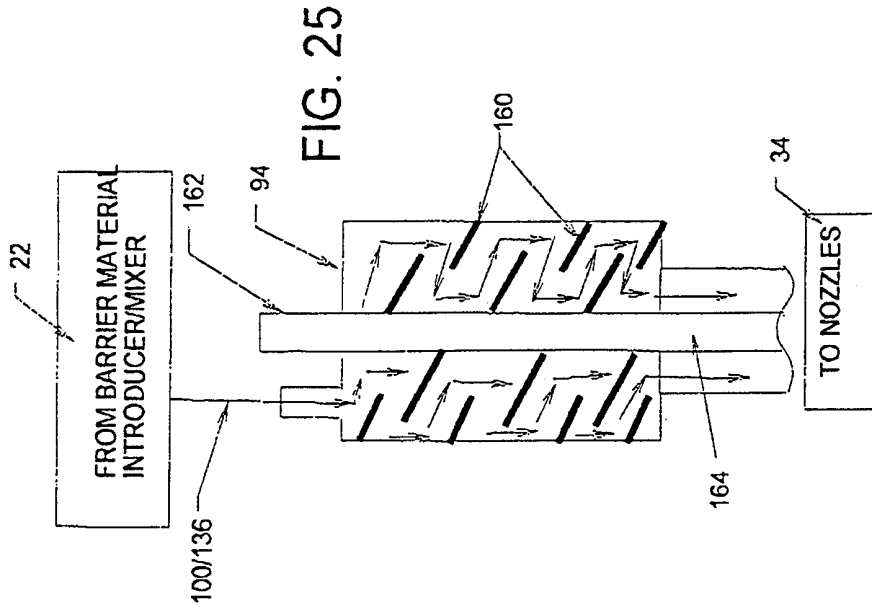


FIG. 26

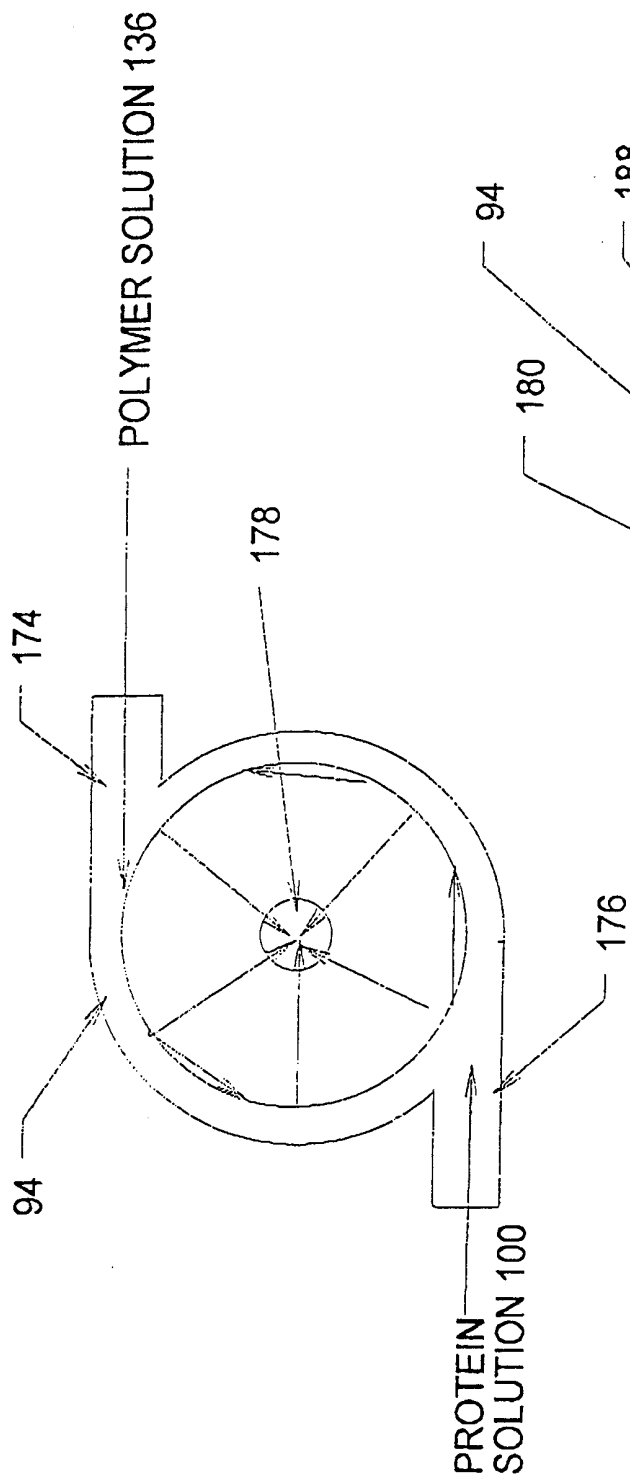
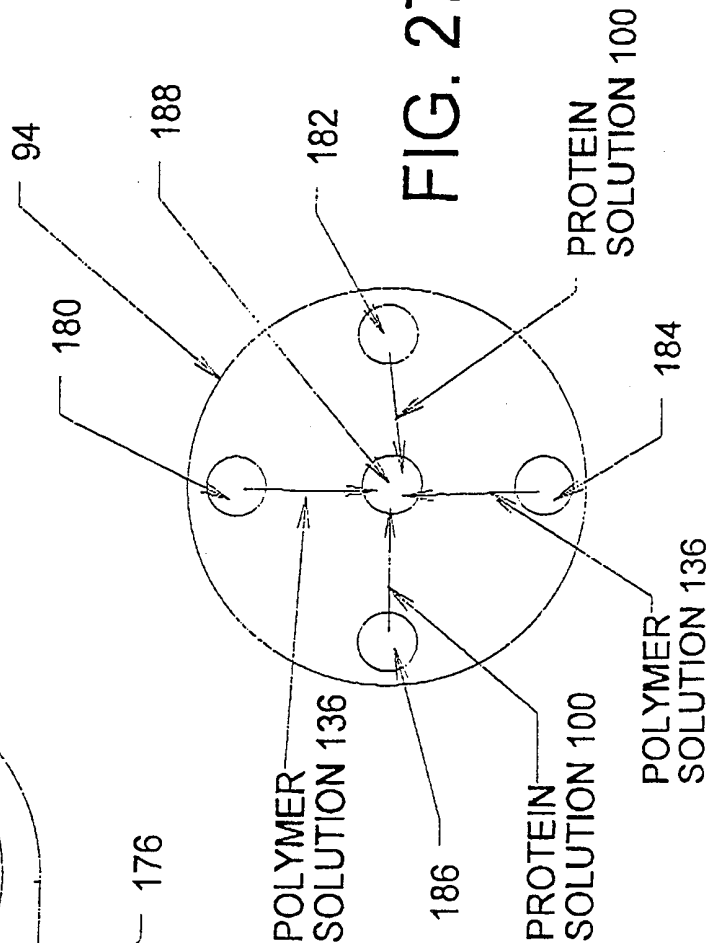


FIG. 27



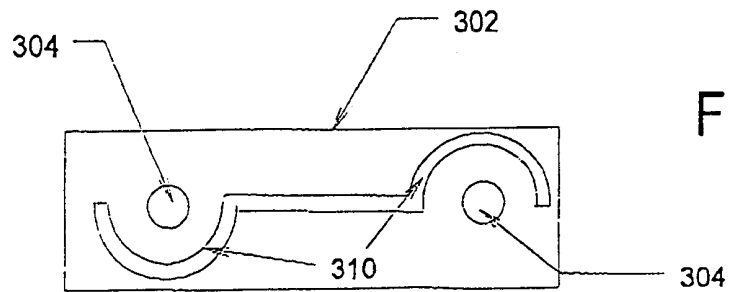
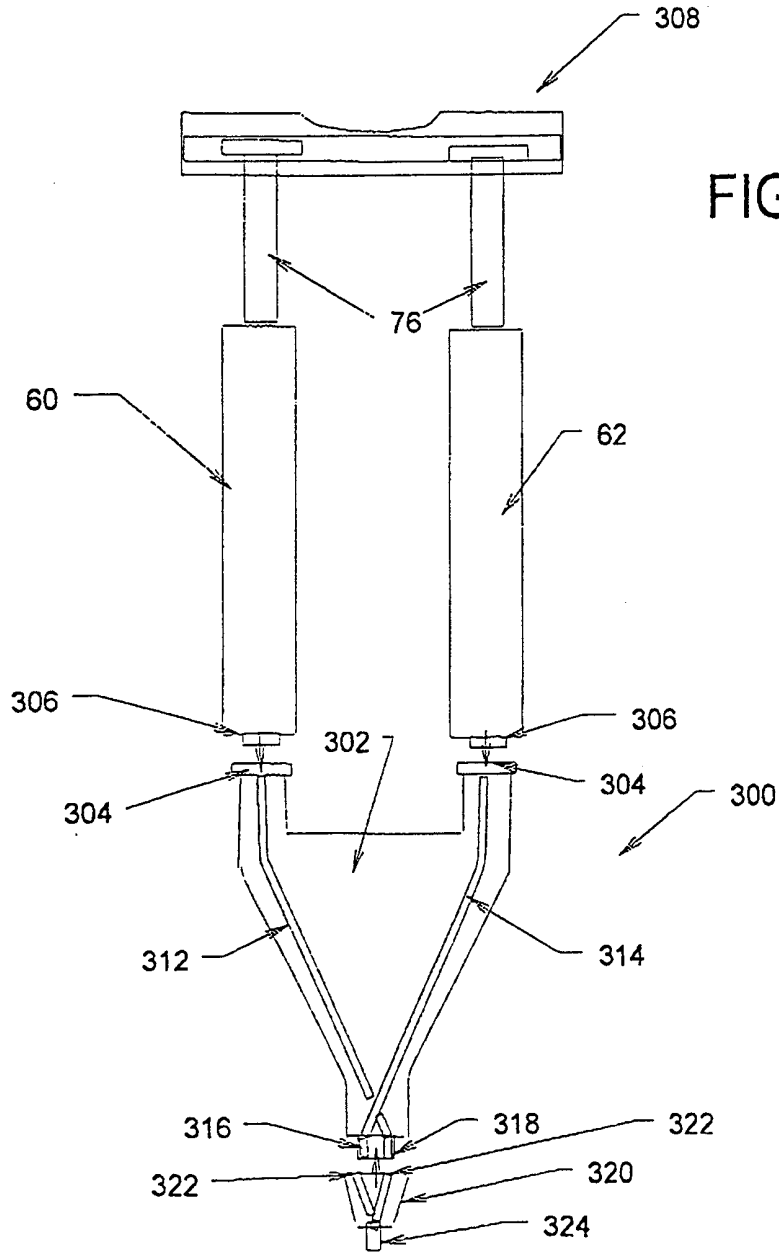


FIG. 30

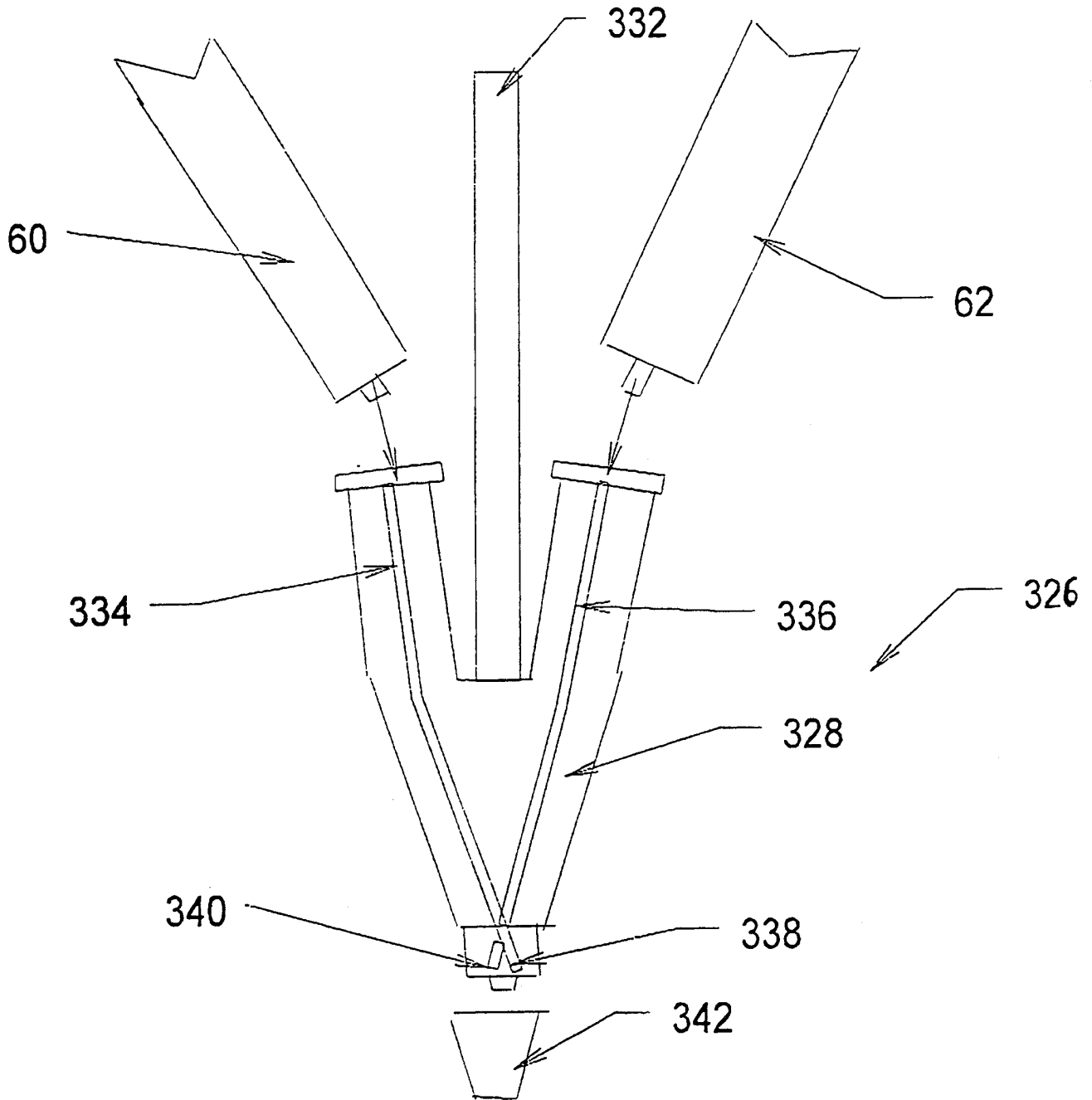
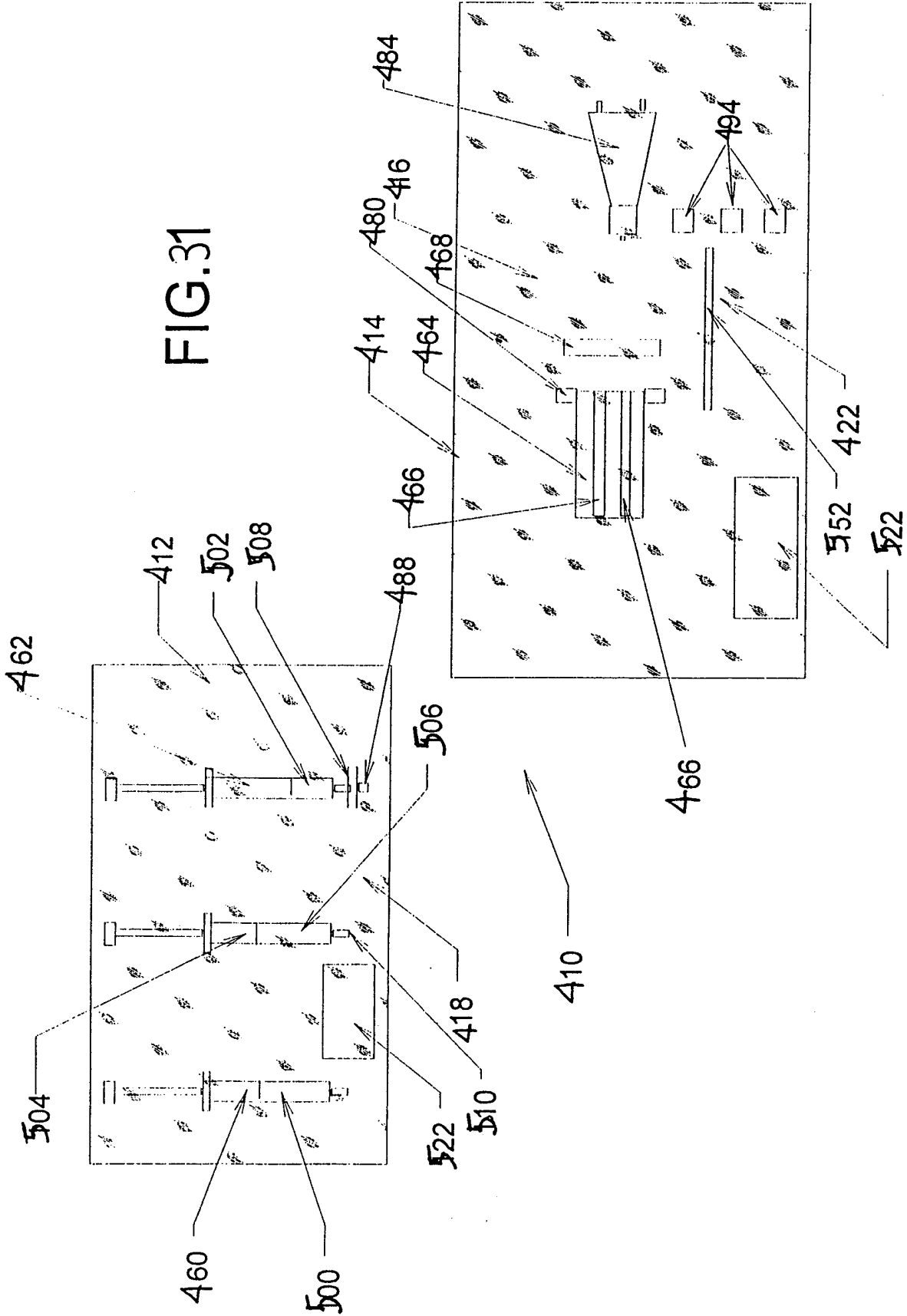


FIG. 31



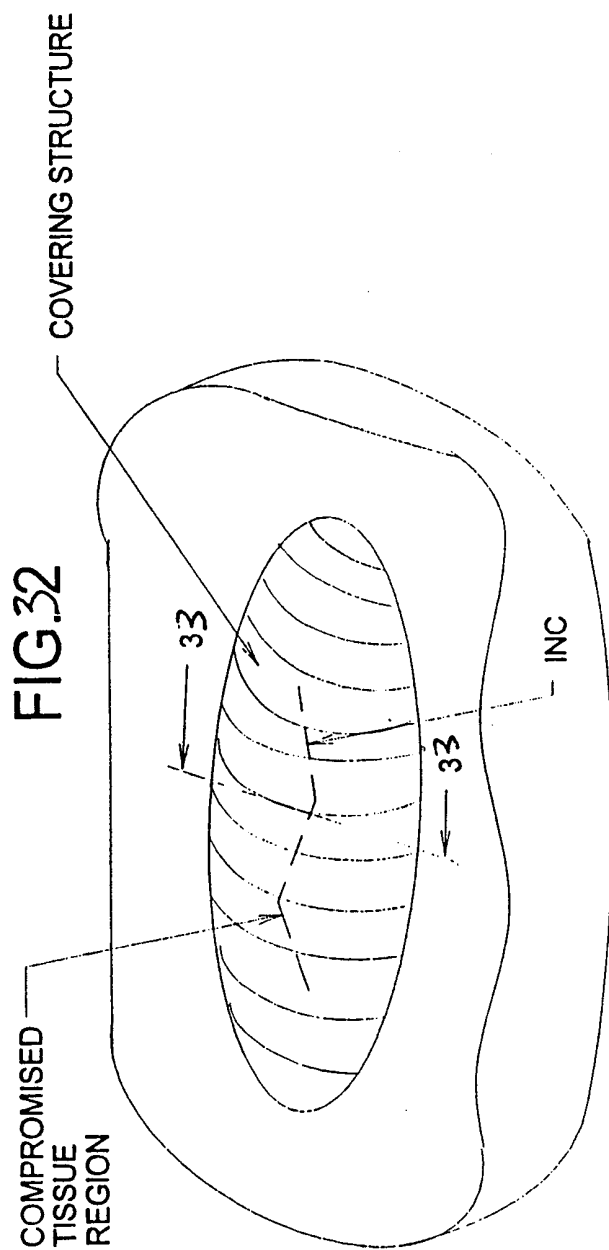
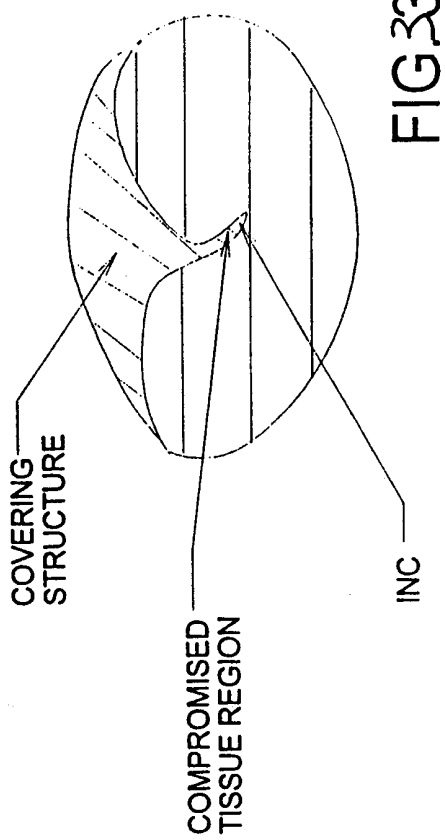
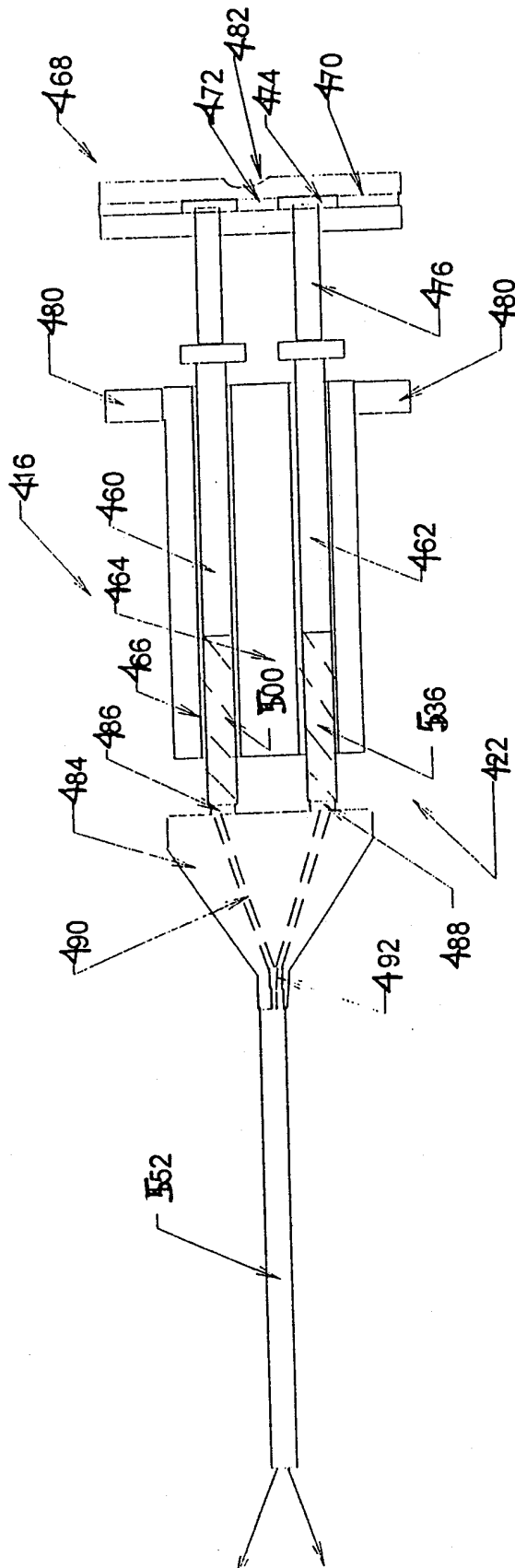


FIG. 35



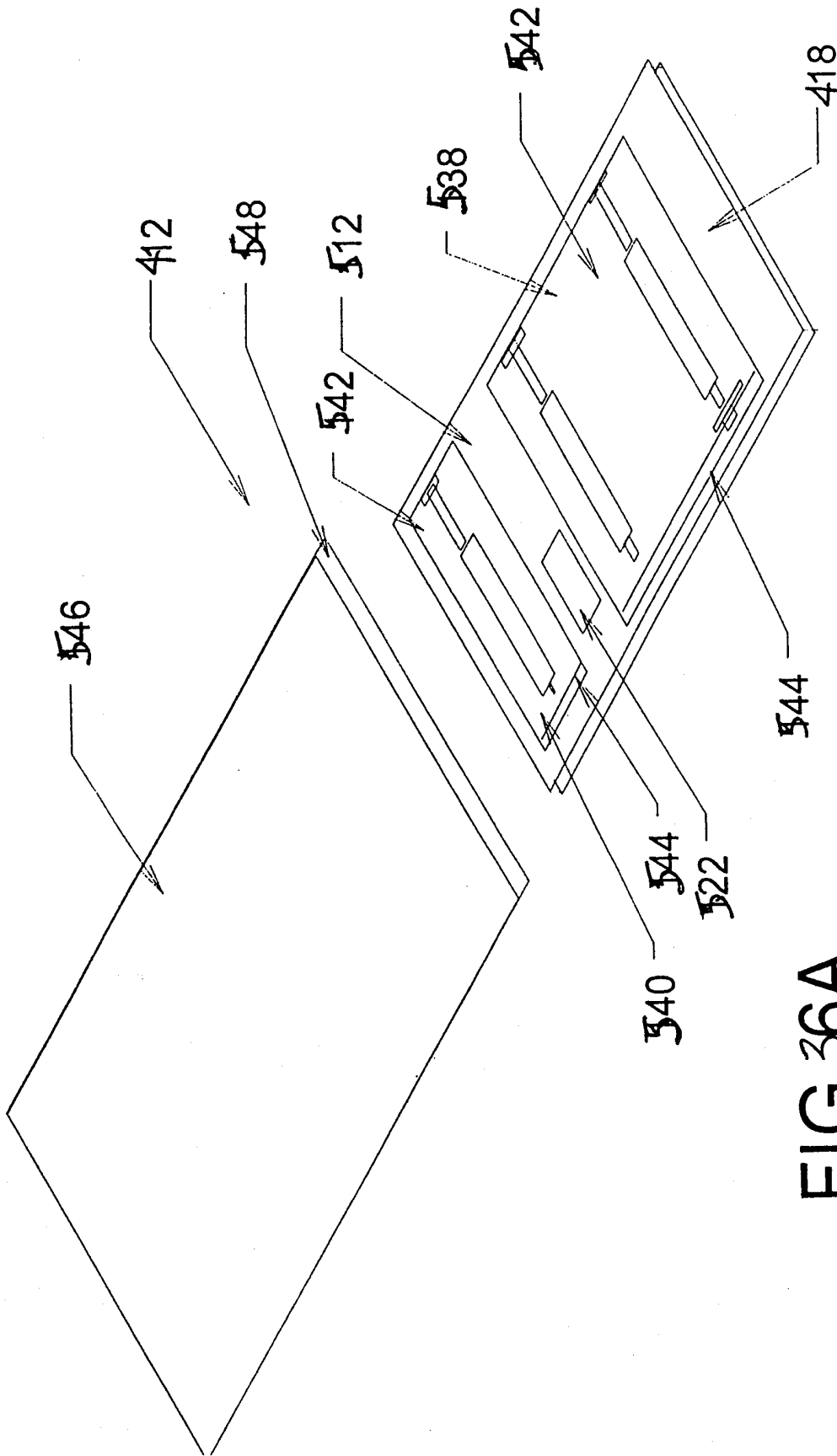


FIG. 36A

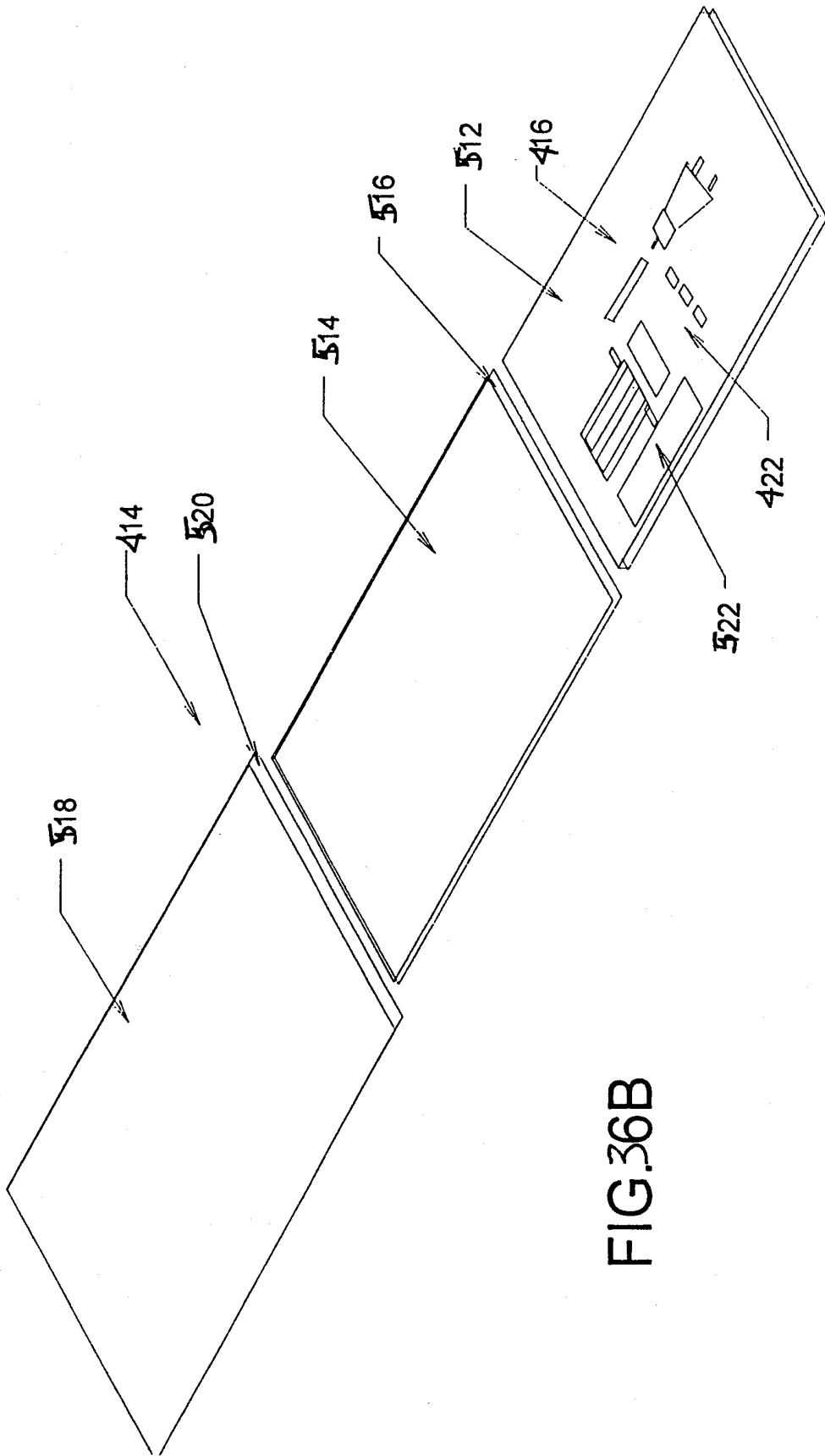


FIG.36B

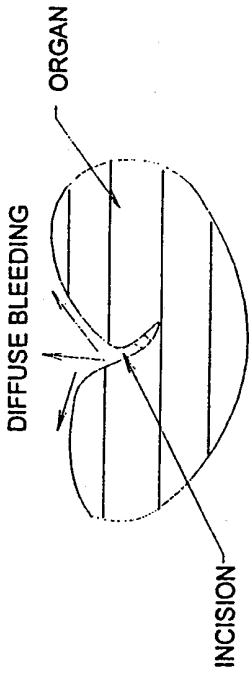


FIG. 37A

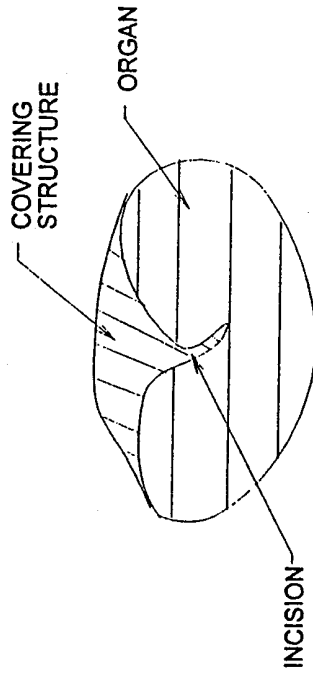


FIG. 37C

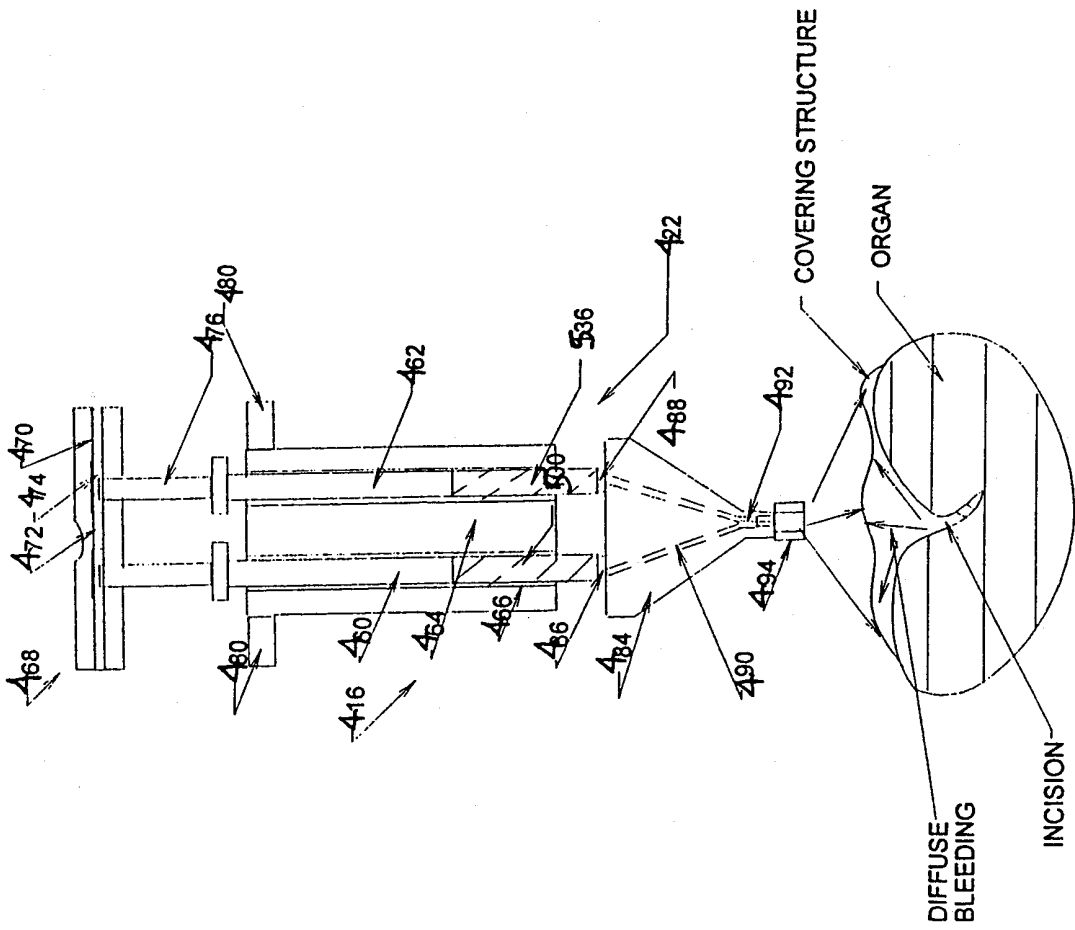


FIG. 37B

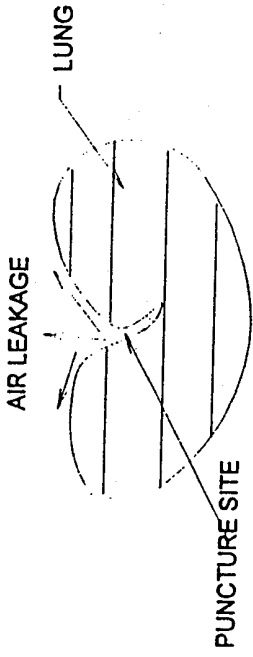


FIG. 38A

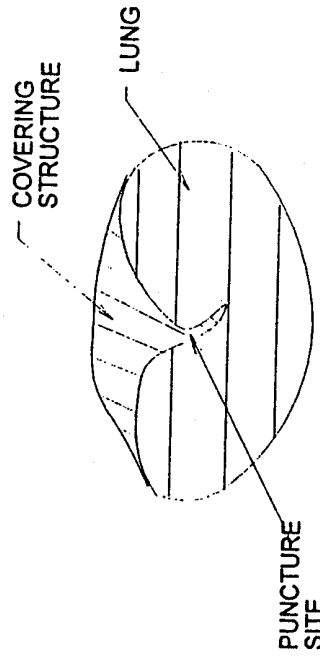


FIG. 38C

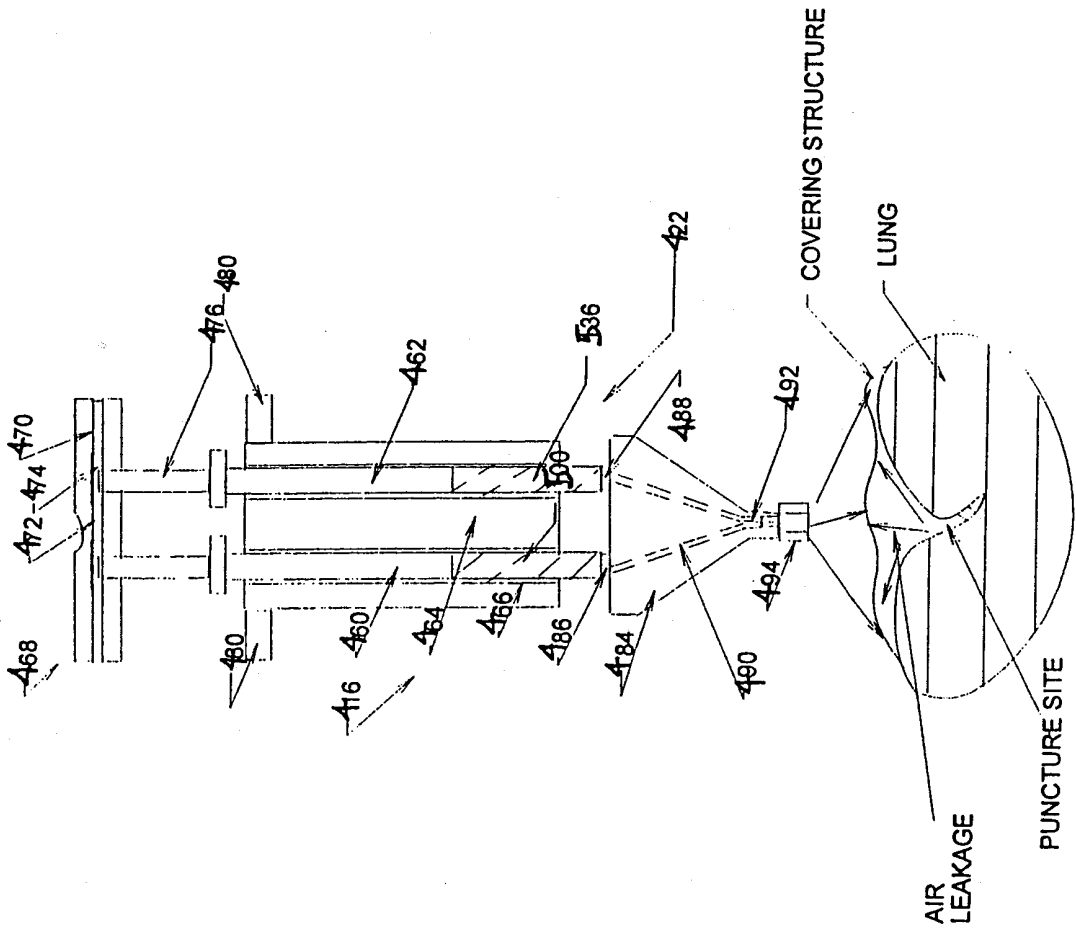
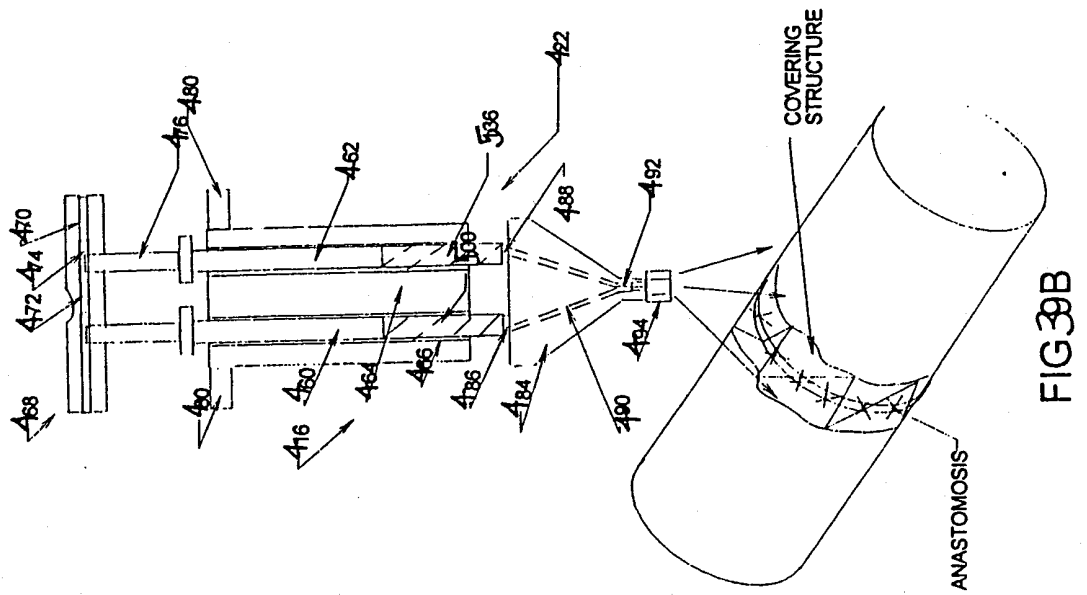
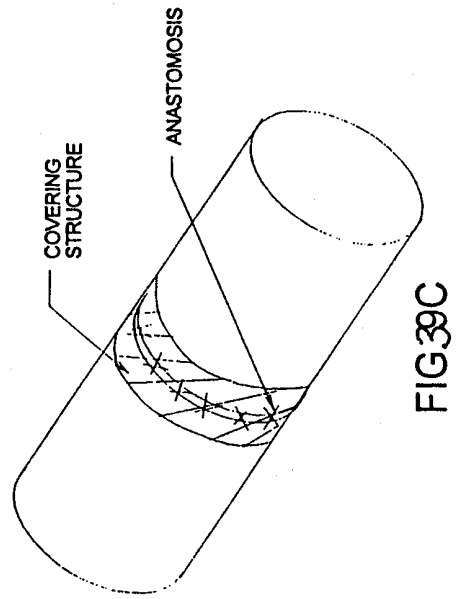
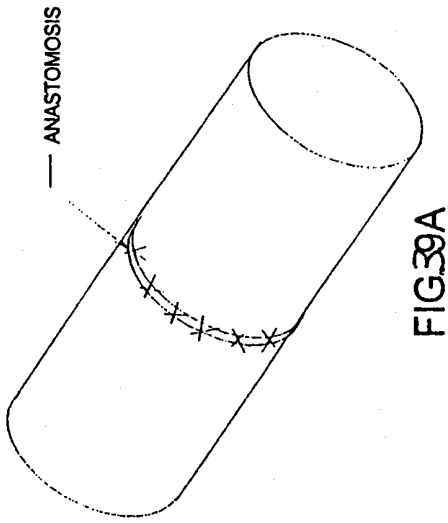
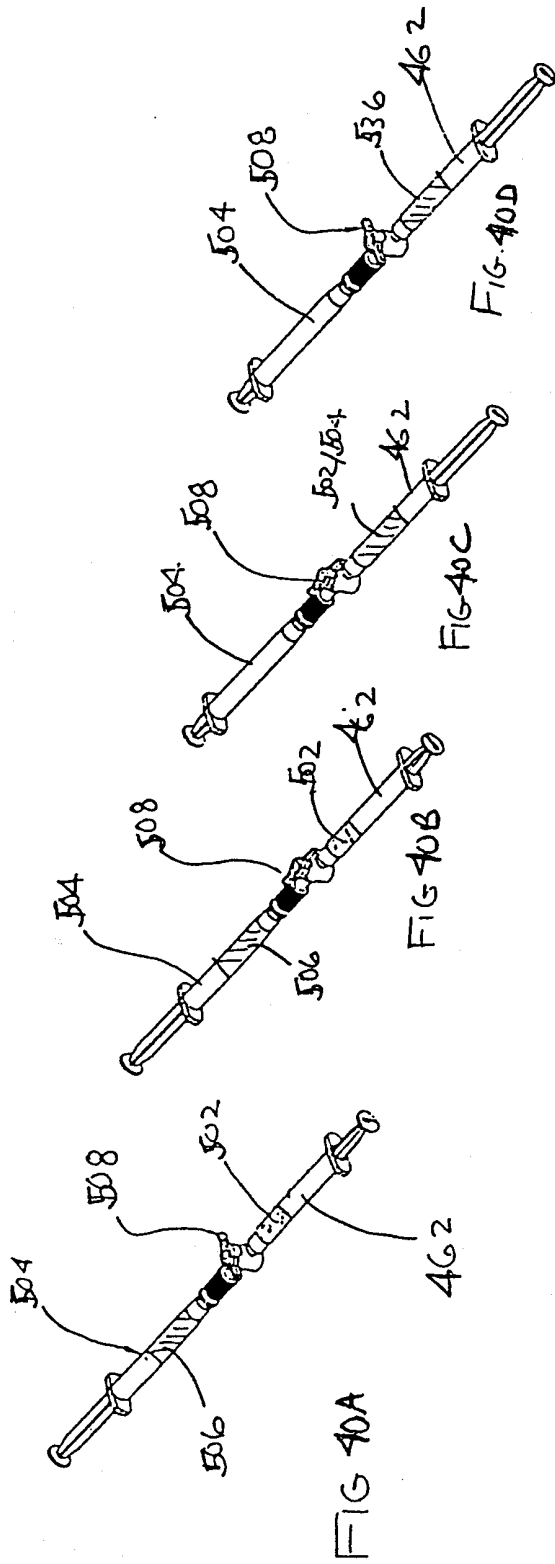


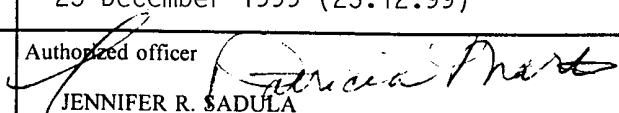
FIG. 38B





INTERNATIONAL SEARCH REPORT

International application No.
PCT/US99/19561

A. CLASSIFICATION OF SUBJECT MATTER		
IPC(6) :A61B 17/36; A61M 37/00 US CL :530/382; 604/304; 606/229 According to International Patent Classification (IPC) or to both national classification and IPC		
B. FIELDS SEARCHED		
Minimum documentation searched (classification system followed by classification symbols) U.S. : 530/382, 427; 604/82, 304; 606/229		
Documentation searched other than minimum documentation to the extent that such documents are included in the fields searched		
Electronic data base consulted during the international search (name of data base and, where practicable, search terms used) EAST Search Terms: albumin, suture, fibrinogen, glycol,		
C. DOCUMENTS CONSIDERED TO BE RELEVANT		
Category*	Citation of document, with indication, where appropriate, of the relevant passages	Relevant to claim No.
X,A	US 5,207,670 A (SINOFSKY) 04 May 1993, col. 2 lines 38-46,	1-43
X	US 5,520,885 A (COELHO et al.) 28 May 1996, Abstract, col 2 line 20 to col 3 line 24, and claims.	1-43
<input type="checkbox"/> Further documents are listed in the continuation of Box C. <input type="checkbox"/> See patent family annex.		
*	Special categories of cited documents:	"T" later document published after the international filing date or priority date and not in conflict with the application but cited to understand the principle or theory underlying the invention
"A"	document defining the general state of the art which is not considered to be of particular relevance	"X" document of particular relevance; the claimed invention cannot be considered novel or cannot be considered to involve an inventive step when the document is taken alone
"E"	earlier document published on or after the international filing date	"Y" document of particular relevance; the claimed invention cannot be considered to involve an inventive step when the document is combined with one or more other such documents, such combination being obvious to a person skilled in the art
"L"	document which may throw doubts on priority claim(s) or which is cited to establish the publication date of another citation or other special reason (as specified)	"&" document member of the same patent family
"O"	document referring to an oral disclosure, use, exhibition or other means	
"P"	document published prior to the international filing date but later than the priority date claimed	
Date of the actual completion of the international search 21 NOVEMBER 1999		Date of mailing of the international search report 23 December 1999 (23.12.99)
Name and mailing address of the ISA/US Commissioner of Patents and Trademarks Box PCT Washington, D.C. 20231 Facsimile No. (703) 305-3230		Authorized officer  JENNIFER R. SADULA Telephone No. (703) 308-2977