



US00D640959S

(12) **United States Design Patent**
Furst

(10) **Patent No.:** **US D640,959 S**

(45) **Date of Patent:** **** Jul. 5, 2011**

(54) **VEHICLE HOOD**

(75) Inventor: **Michael W. Furst**, Venice, CA (US)

(73) Assignee: **Honda Motor Co., Ltd.**, Tokyo (JP)

(**) Term: **14 Years**

(21) Appl. No.: **29/378,127**

(22) Filed: **Oct. 29, 2010**

(51) **LOC (9) Cl.** **12-16**

(52) **U.S. Cl.** **D12/173**

(58) **Field of Classification Search** D12/173,
D12/196, 86, 90-92; 180/69.21, 69.2, 69.22
See application file for complete search history.

(56) **References Cited**

U.S. PATENT DOCUMENTS

D399,463 S *	10/1998	Grabo et al.	D12/173
D399,464 S *	10/1998	Grabo et al.	D12/173
D499,992 S *	12/2004	Chan	D12/173
D508,665 S *	8/2005	Chan	D12/173
D575,206 S *	8/2008	Shelby	D12/173
D575,208 S *	8/2008	Shelby	D12/173

D630,140 S * 1/2011 Reichman et al. D12/173
* cited by examiner

Primary Examiner — Melody N Brown
(74) *Attorney, Agent, or Firm* — Plumsea Law Group, LLC;
Mark E. Duell

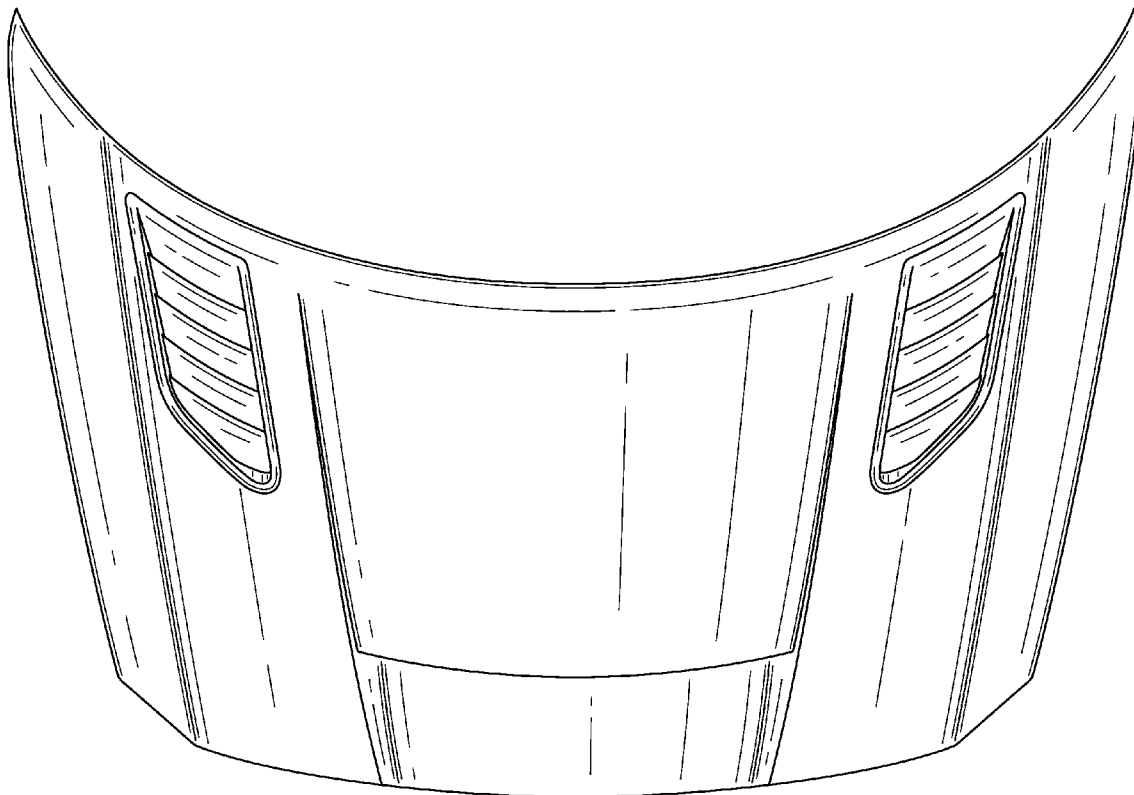
(57) **CLAIM**

The ornamental design for a vehicle hood, as shown and described.

DESCRIPTION

The contents of concurrently filed application Ser. No. 29/378,104 is hereby incorporated by reference.
FIG. 1 is a perspective view of a vehicle hood showing my new design;
FIG. 2 is a top plan view thereof;
FIG. 3 is a front elevational view thereof; and,
FIG. 4 is a side elevational view of one side thereof, the opposite side elevational view being a mirror image.
The broken lines shown throughout the drawing are for illustrative purposes only and form no part of the claimed design.

1 Claim, 3 Drawing Sheets



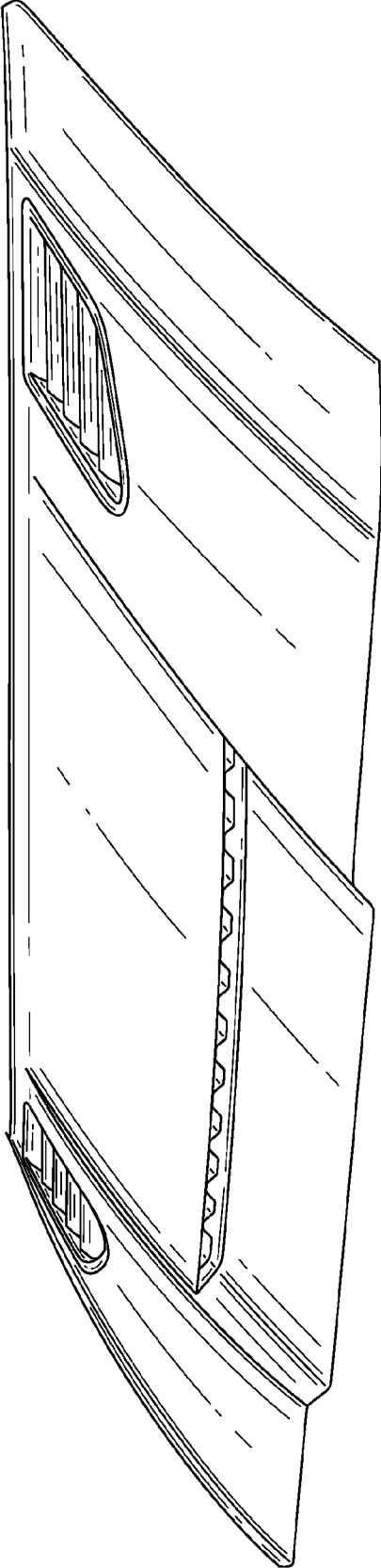


Fig. 1

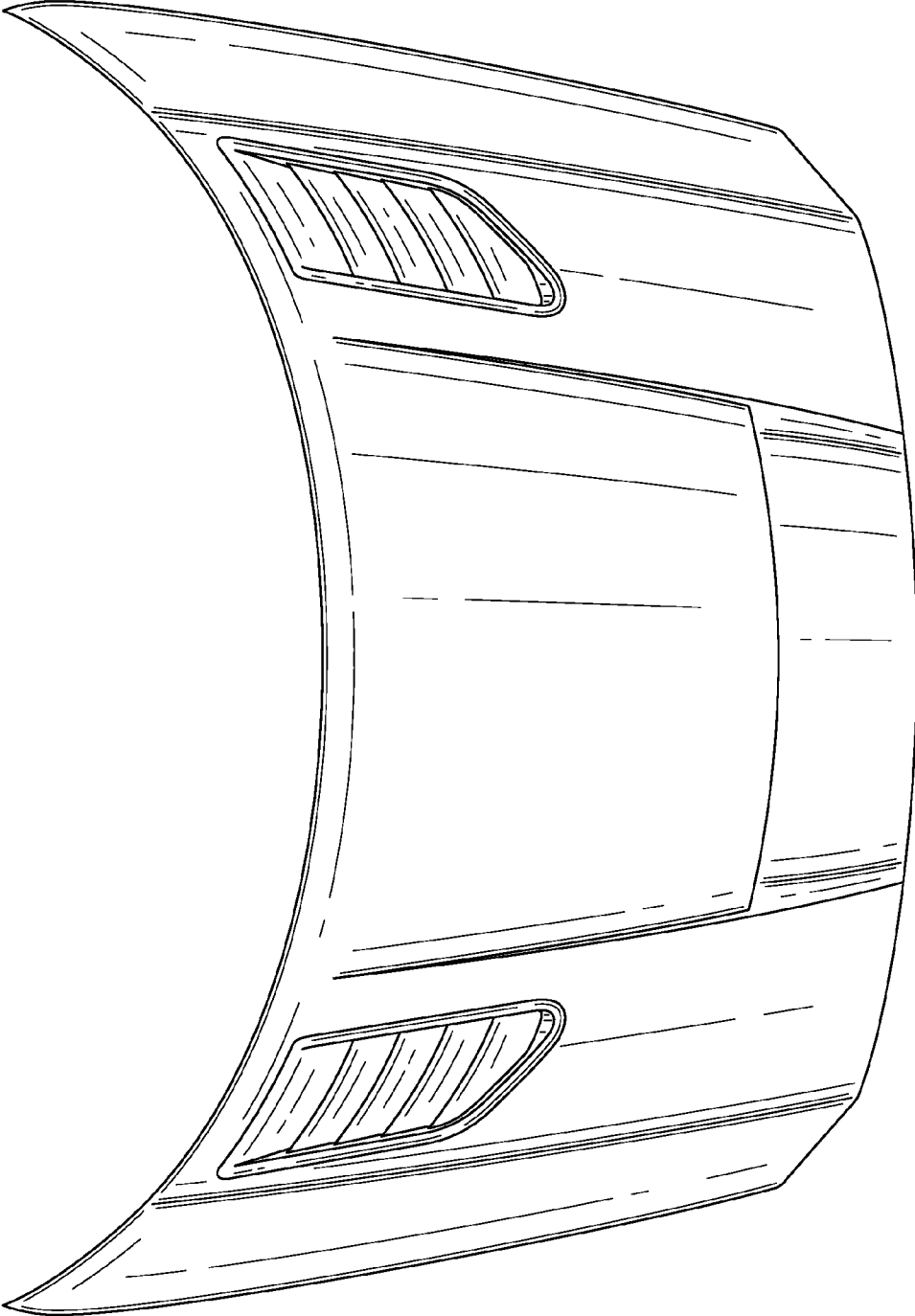


Fig. 2

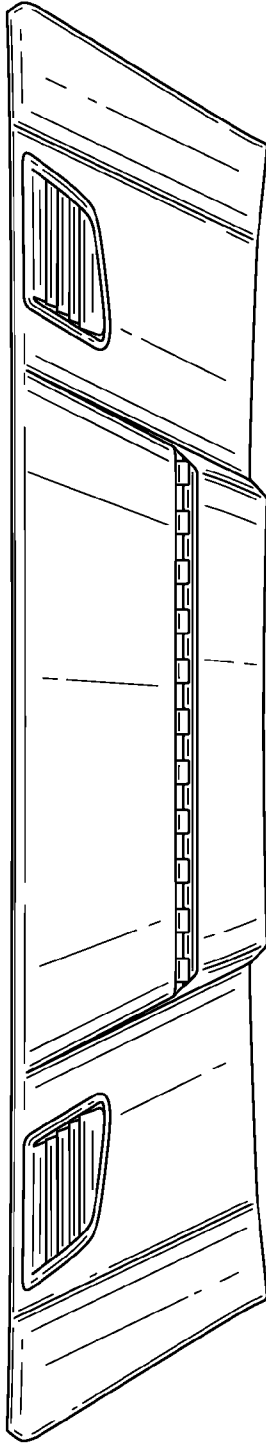


Fig. 3

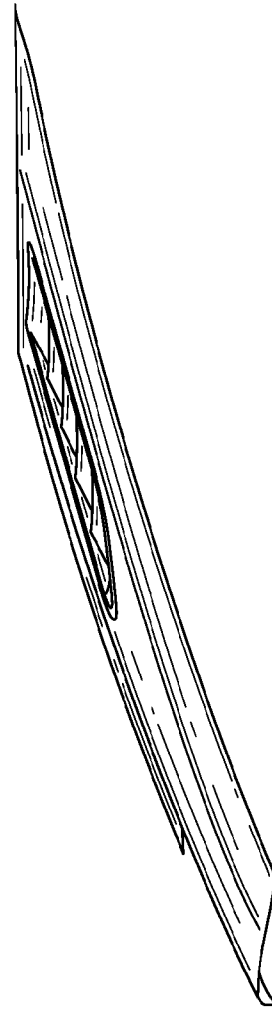


Fig. 4