



US00D874832S

(12) **United States Design Patent**
Zimmerman

(10) **Patent No.:** **US D874,832 S**

(45) **Date of Patent:** **** Feb. 11, 2020**

(54) **TOOTHBRUSH HANDLE**

(71) Applicant: **Israel Harry Zimmerman**, Los Angeles, CA (US)

(72) Inventor: **Israel Harry Zimmerman**, Los Angeles, CA (US)

(**) Term: **15 Years**

(21) Appl. No.: **29/641,653**

(22) Filed: **Mar. 23, 2018**

(51) **LOC (12) Cl.** **04-02**

(52) **U.S. Cl.**

USPC **D4/104**

(58) **Field of Classification Search**

USPC D4/101, 104, 105, 106, 107, 108, 109, D4/110, 111, 112, 113, 138, 199; 15/110
CPC A46B 3/00; A46B 9/02; A46B 9/04; A46B 2200/1066; A46B 2200/1073; A46B 2200/1086; A46B 17/00; A46B 15/0048

See application file for complete search history.

(56) **References Cited**

U.S. PATENT DOCUMENTS

851,550 A * 4/1907 Nevius A46B 11/0093
15/248.1
860,527 A * 7/1907 Cochrane A46B 11/0093
15/248.1
878,486 A * 2/1908 Crowell A46B 11/0093
15/248.1

(Continued)

FOREIGN PATENT DOCUMENTS

CH 703696 3/2012
CN 200950895 3/2001

(Continued)

Primary Examiner — Karen E Eldridge Powers
(74) Attorney, Agent, or Firm — Walter W. Duft

(57) **CLAIM**

The ornamental design for a toothbrush handle, as shown and described.

DESCRIPTION

FIG. 1 is a front, left side and bottom perspective view of a toothbrush handle showing the claimed design directed to a thumb rest feature of the handle;

FIG. 2 is a rear, right side and bottom perspective view thereof;

FIG. 3 is a front, left side and top perspective view thereof;

FIG. 4 is a rear, right side and top perspective view thereof;

FIG. 5 is a right side elevation view thereof;

FIG. 6 is a left side elevation view thereof;

FIG. 7 is a front elevation view thereof;

FIG. 8 is a rear elevation view thereof;

FIG. 9 is a top plan view thereof;

FIG. 10 is a bottom plan view thereof;

FIG. 11 is a front, left side and bottom perspective view of a toothbrush handle showing another embodiment of the claimed design;

FIG. 12 is a rear, right side and bottom perspective view thereof;

FIG. 13 is a front, left side and top perspective view thereof;

FIG. 14 is a rear, right side and top perspective view thereof;

FIG. 15 is a right side elevation view thereof;

FIG. 16 is a left side elevation view thereof;

FIG. 17 is a front elevation view thereof;

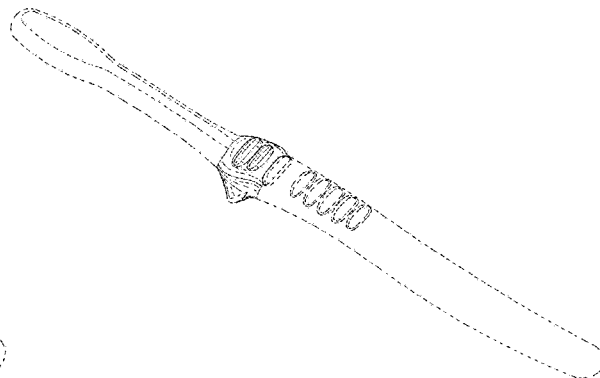
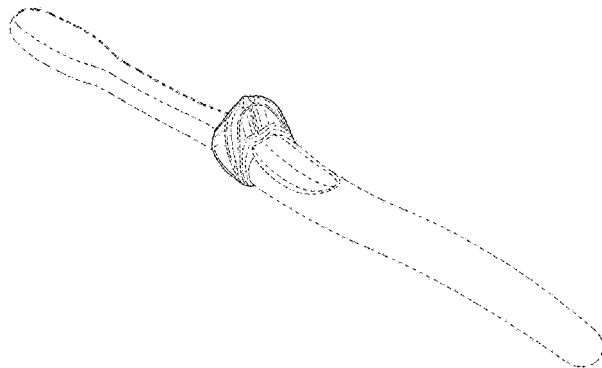
FIG. 18 is a rear elevation view thereof;

FIG. 19 is a top plan view thereof; and,

FIG. 20 is a bottom plan view thereof.

The broken lines showing a toothbrush handle illustrate those portions of the article that form no part of the claimed design.

1 Claim, 10 Drawing Sheets



(56)

References Cited

U.S. PATENT DOCUMENTS

1,501,020 A * 7/1924 Small A46B 11/0093
15/248.1
2,722,703 A 11/1955 Green
3,968,950 A 7/1976 Gallo
5,158,342 A * 10/1992 Pai A46B 1/00
264/243
5,228,166 A 7/1993 Gomez
5,517,713 A 5/1996 Hadcock
D384,207 S * 9/1997 Underwood D4/104
5,860,190 A 1/1999 Cano
5,956,796 A 9/1999 Lodato
D419,774 S * 2/2000 Langue D4/104
6,490,760 B1 12/2002 Lauer et al.
D494,370 S * 8/2004 Wong D4/104
D497,256 S * 10/2004 Xi D4/104
D512,224 S * 12/2005 Crossman D4/101
7,007,335 B1 3/2006 Doat
D577,202 S * 9/2008 Meyer D4/119
7,527,446 B2 5/2009 Johnson Papa et al.
8,046,864 B2 * 11/2011 Baertschi A46B 5/02
15/110
D672,561 S * 12/2012 Jin D4/104
8,650,697 B2 2/2014 Lombardi
8,769,832 B1 7/2014 Joyner

D754,975 S * 5/2016 Buckley D4/138
9,861,187 B2 1/2018 Zimmerman
10,092,087 B2 10/2018 Zimmerman
D846,889 S * 4/2019 Renner D4/138
2004/0025272 A1 2/2004 Nanda
2007/0039109 A1 2/2007 Nanda
2008/0244850 A1* 10/2008 Kuo A46B 15/00
15/167.1
2008/0311282 A1 12/2008 Hammon
2014/0053357 A1 2/2014 Barzel
2018/0235357 A1 8/2018 Zimmerman
2018/0279765 A1* 10/2018 Zimmerman A46B 15/0097

FOREIGN PATENT DOCUMENTS

CN 301754637 * 12/2011
CN 301950643 * 6/2012
CN 302344829 * 3/2013
DE 202011002076 U1 9/2011
EP 1277420 10/2005
GB P2443888 A 5/2008
JP 2006000466 1/2006
KR 1020100103227 9/2010
WO WO9833789 9/1998
WO WO9844823 10/1998
WO WO0117391 9/1999

* cited by examiner

FIG. 1

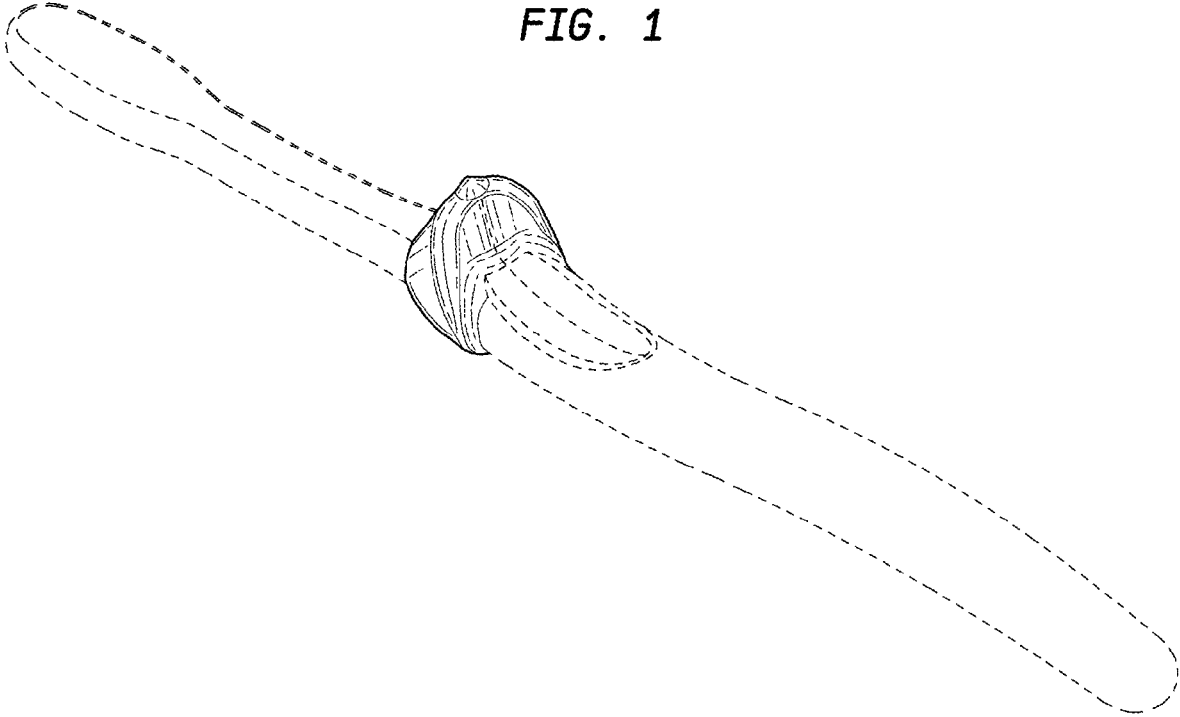


FIG. 2

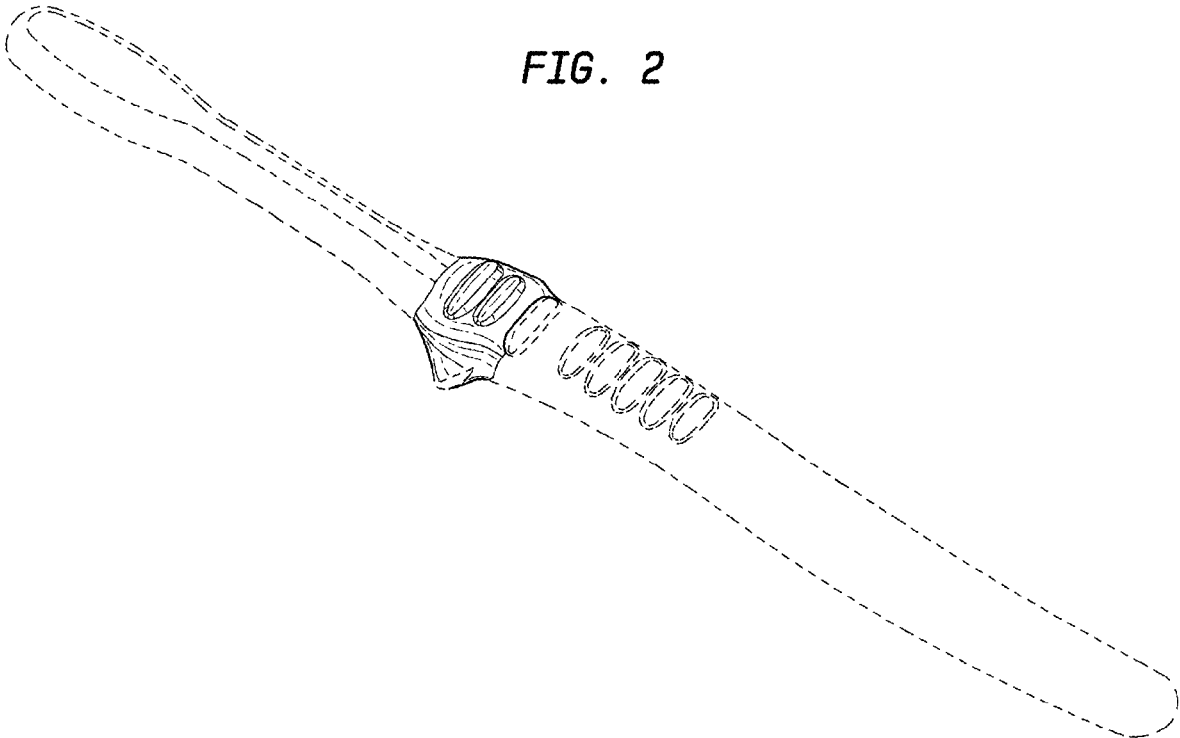


FIG. 3

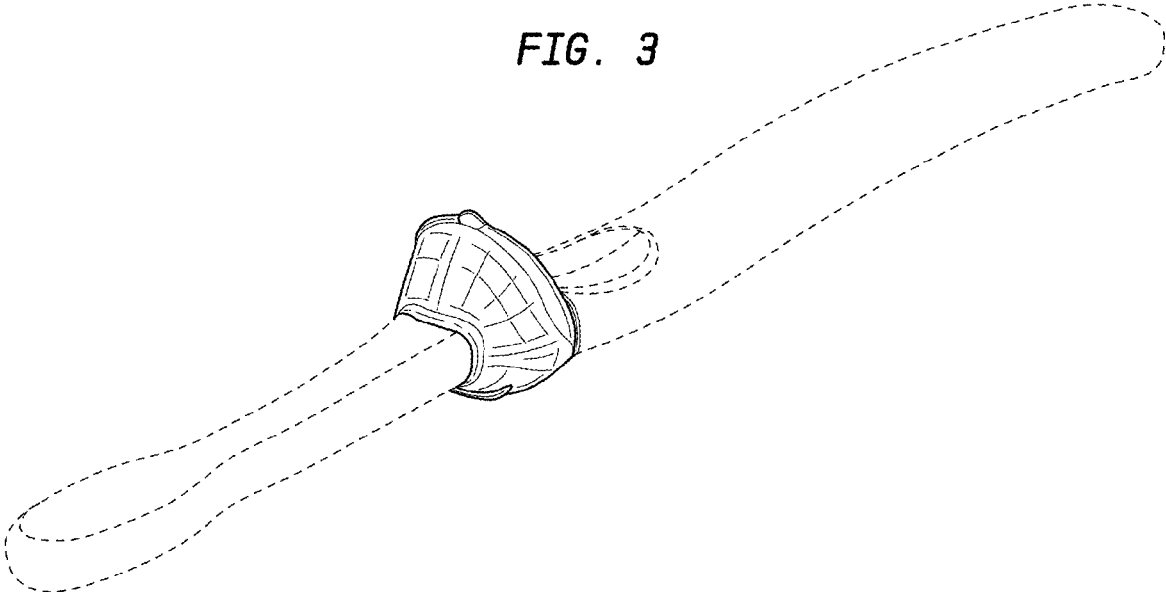


FIG. 4

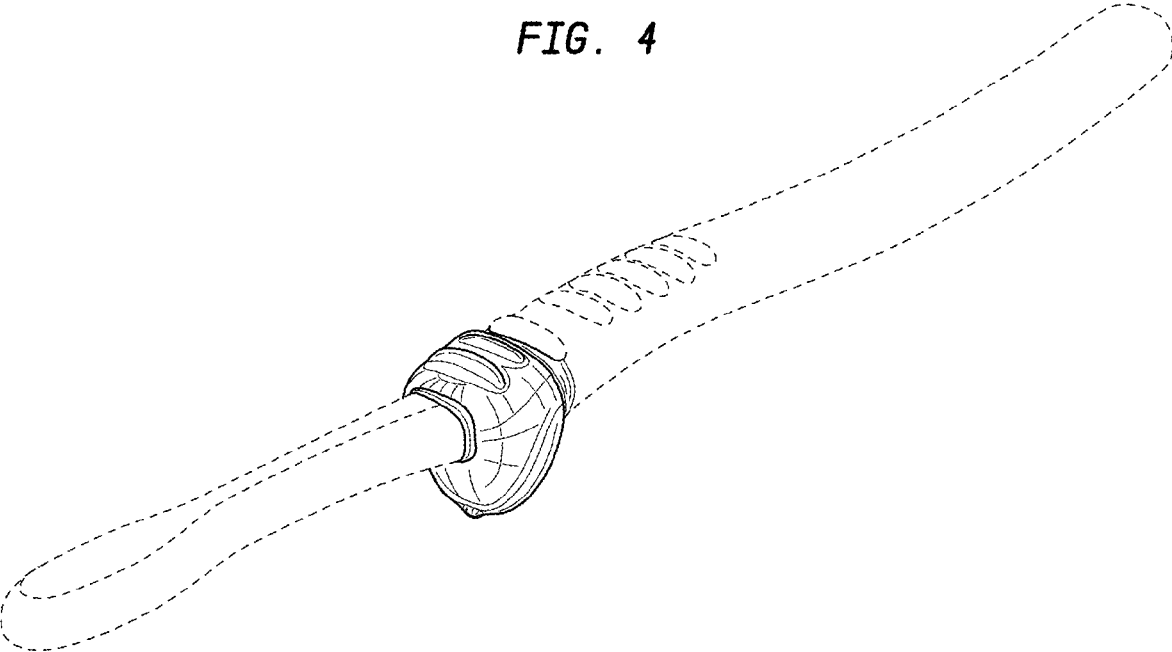


FIG. 5



FIG. 6



FIG. 7



FIG. 8

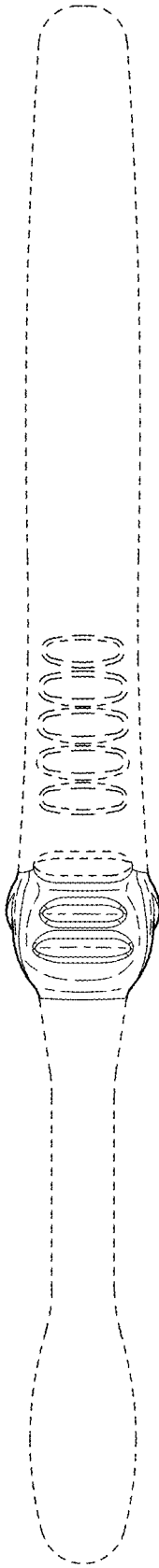


FIG. 9

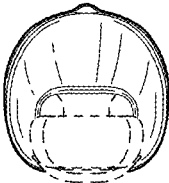
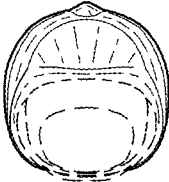


FIG. 10



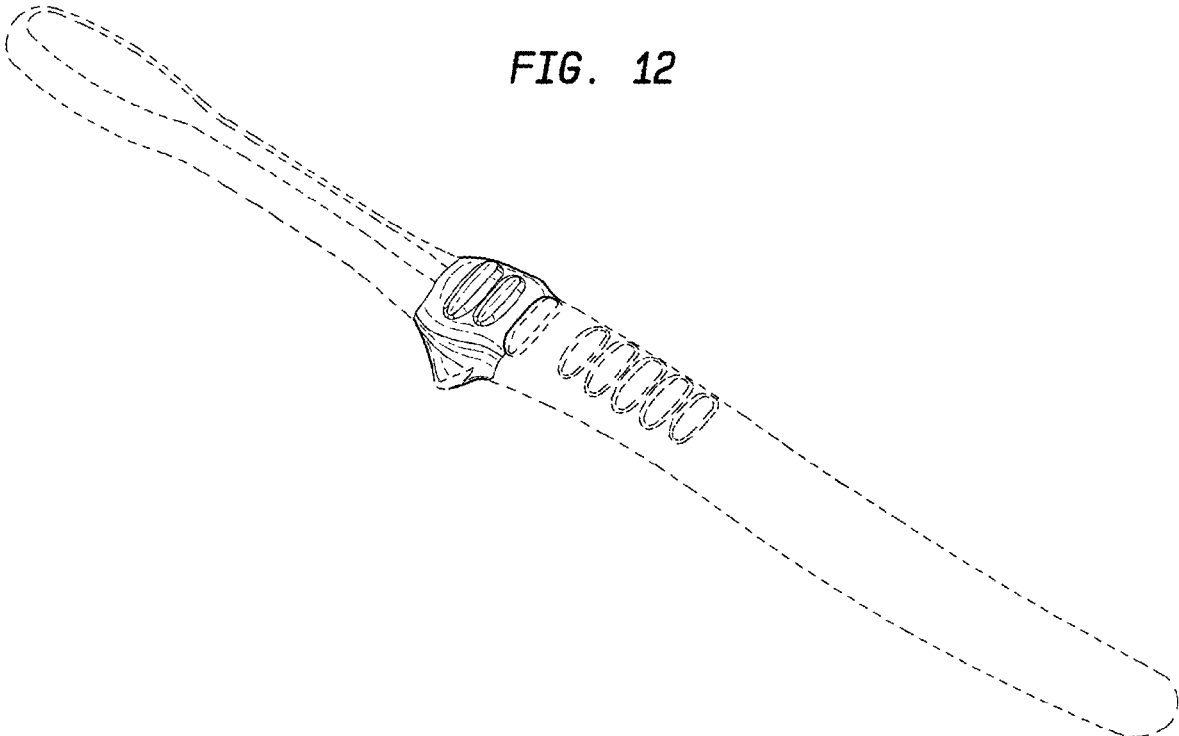
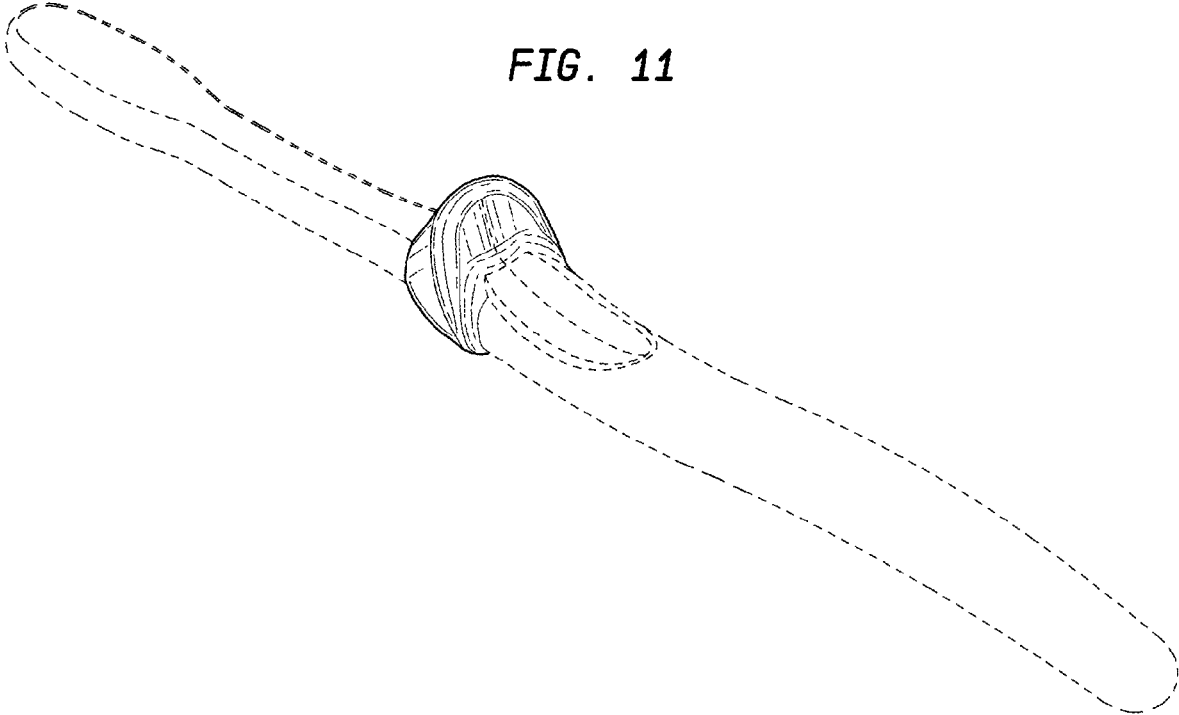


FIG. 13

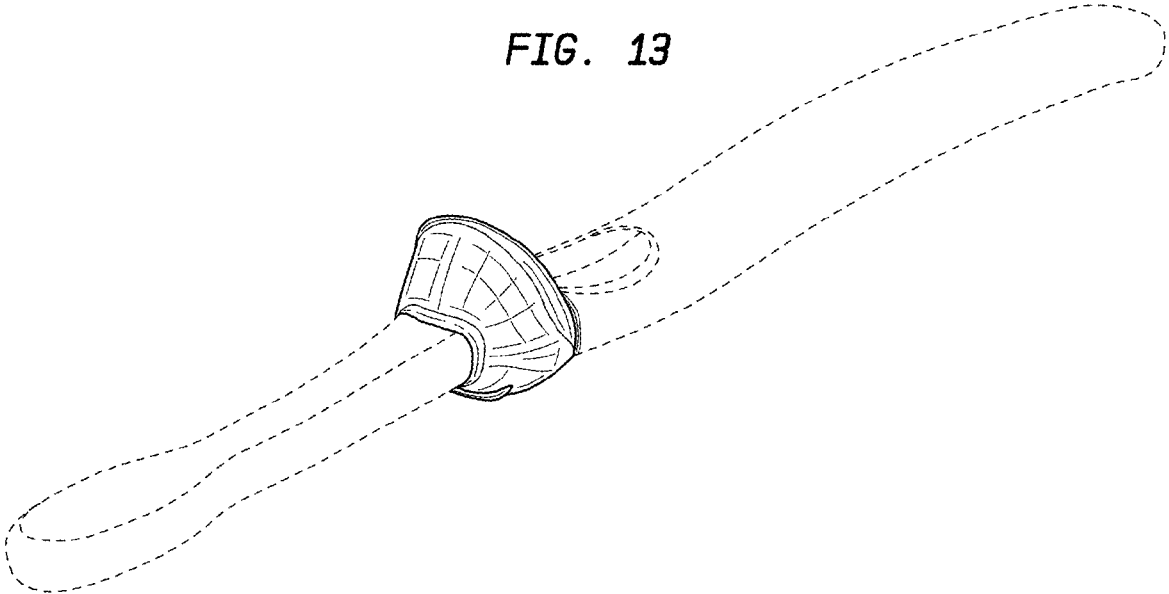


FIG. 14

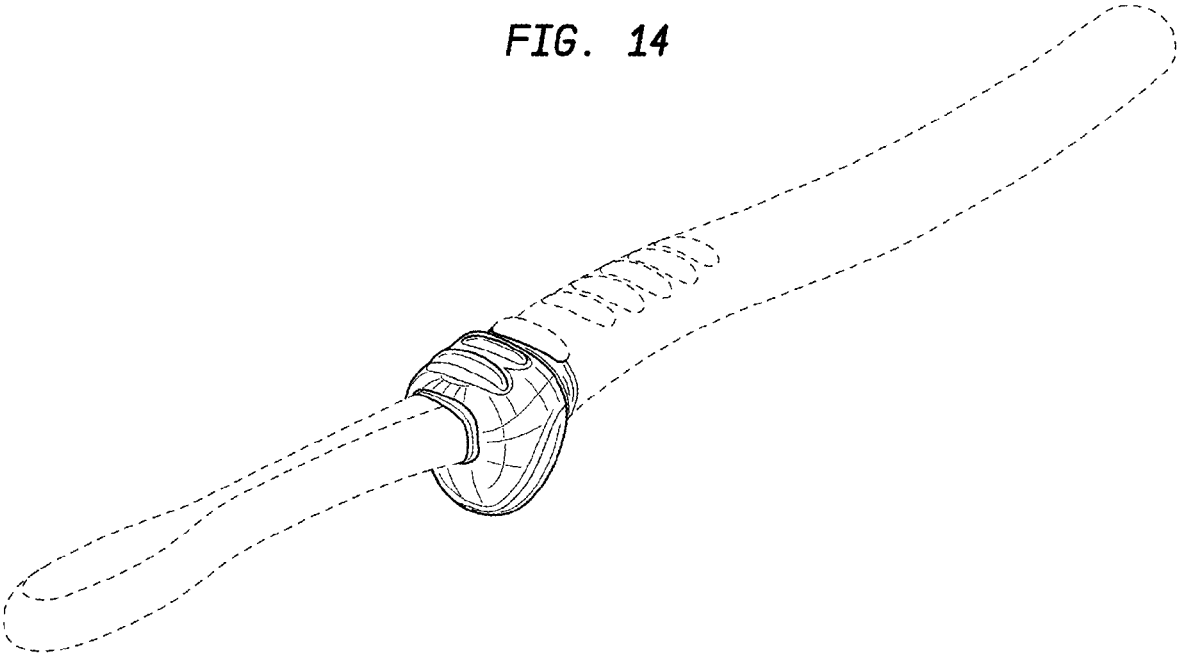


FIG. 15



FIG. 16



FIG. 17

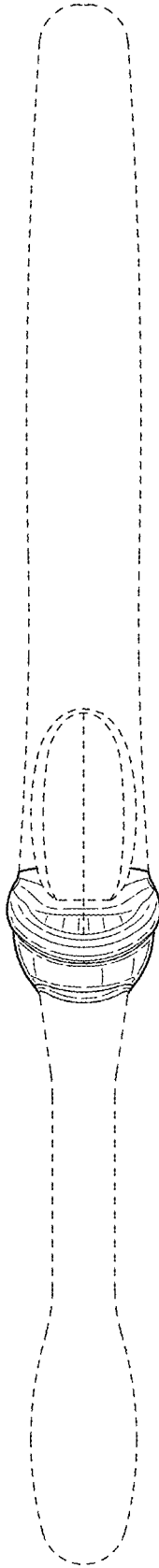


FIG. 18

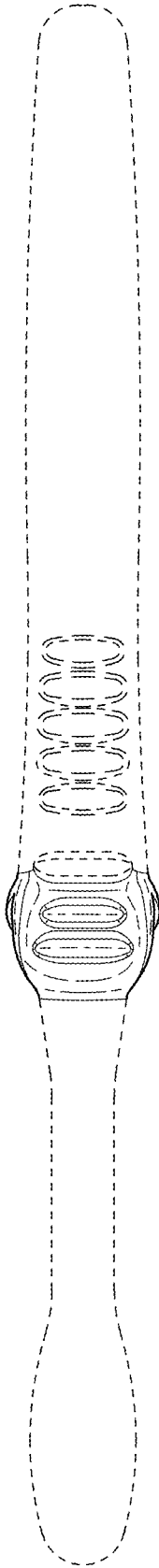


FIG. 19

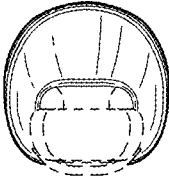


FIG. 20

