



US00D727441S

(12) **United States Design Patent**  
**Chuang et al.**

(10) **Patent No.:** **US D727,441 S**  
(45) **Date of Patent:** **\*\* Apr. 21, 2015**

- (54) **EXERCISE DEVICE FOR SITUP**
  - (71) Applicants: **Jin-Chen Chuang**, Taichung (TW);  
**Lung-Fei Chuang**, Taichung (TW)
  - (72) Inventors: **Jin-Chen Chuang**, Taichung (TW);  
**Lung-Fei Chuang**, Taichung (TW)
  - (73) Assignees: **Jin-Chen Chuang**, Taichung (TW);  
**Lung-Fei Chuang**, Taichung (TW)
  - (\*\*) Term: **14 Years**
  - (21) Appl. No.: **29/466,445**
  - (22) Filed: **Sep. 9, 2013**
  - (30) **Foreign Application Priority Data**
    - Jun. 28, 2013 (CN) ..... 2013 3 0291558
    - Jun. 28, 2013 (CN) ..... 2013 3 0291915
  - (51) **LOC (10) Cl.** ..... **21-02**
  - (52) **U.S. Cl.**  
USPC ..... **D21/687**
  - (58) **Field of Classification Search**  
USPC ..... 482/142, 122, 115, 108, 145, 140, 105,  
482/111, 123, 121, 126, 141, 143, 148, 106,  
482/130, 129, 132, 96, 131, 133, 124, 110,  
482/127, 72, 147, 51, 71, 139, 97, 92, 137,  
482/98, 1, 907, 95, 112; 206/315.1, 45.2;  
D21/687, 662, 690, 676, 423, 691,  
D21/686; 273/449; 472/103; 297/259.1,  
297/16.1, 175, 445.1, 353; 446/482;  
607/48, 149, 77, 148; 140/121, 122,  
140/123, 124, 90; 601/24; D24/190;  
D6/601
- See application file for complete search history.

D384,379	S	*	9/1997	Lin	.....	D21/687
D385,929	S	*	11/1997	Mishan	.....	D21/687
D385,930	S	*	11/1997	Chen	.....	D21/687
5,725,463	A	*	3/1998	Colonello et al.	.....	482/140
5,728,035	A	*	3/1998	Sands	.....	482/140
D395,684	S	*	6/1998	Olschansky et al.	.....	D21/662
5,772,563	A	*	6/1998	Lin	.....	482/140
5,779,607	A	*	7/1998	Harris	.....	482/140
D400,953	S	*	11/1998	Huang	.....	D21/687
5,853,357	A	*	12/1998	Jones, Jr.	.....	482/140
D404,432	S	*	1/1999	Sands	.....	D21/662
5,863,280	A	*	1/1999	Wang	.....	482/140
5,882,284	A	*	3/1999	Cayne	.....	482/130
5,941,806	A	*	8/1999	Olschansky et al.	.....	482/140
D413,948	S	*	9/1999	Dalebout	.....	D21/687
6,117,057	A	*	9/2000	Olschansky et al.	.....	482/140
D496,701	S	*	9/2004	Chung	.....	D21/687
D613,804	S	*	4/2010	Perez	.....	D21/691
7,794,378	B2	*	9/2010	Splane et al.	.....	482/142
D641,434	S	*	7/2011	Khubani	.....	D21/690
D659,207	S	*	5/2012	Brown	.....	D21/687
2012/0065038	A1	*	3/2012	Nayebdadaash	.....	482/140
2014/0364288	A1	*	12/2014	Chuang et al.	.....	482/122

\* cited by examiner

*Primary Examiner* — Robert M Spear  
*Assistant Examiner* — Ryan Harvey  
(74) *Attorney, Agent, or Firm* — CKC & Partners Co., Ltd.

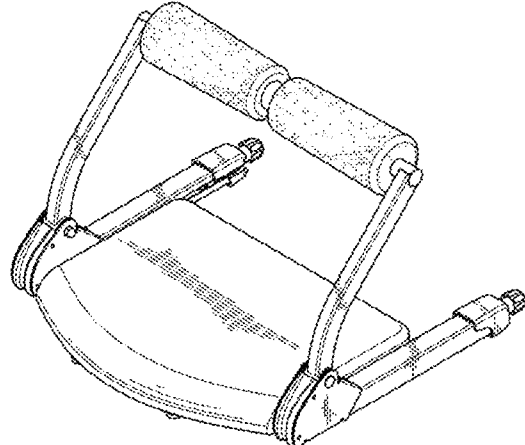
(57) **CLAIM**  
The ornamental design for an exercise device for situp, as shown.

**DESCRIPTION**

FIG. 1 is a perspective view of an exercise device for situp showing my new design;  
FIG. 2 is a front view thereof;  
FIG. 3 is a rear view thereof;  
FIG. 4 is a left side view thereof;  
FIG. 5 is a right side view thereof;  
FIG. 6 is a top view thereof;  
FIG. 7 is a bottom view thereof; and,  
FIG. 8 is the other perspective view of a lying posture of the exercise device for situp.

**1 Claim, 5 Drawing Sheets**

- (56) **References Cited**  
U.S. PATENT DOCUMENTS
- D379,836 S \* 6/1997 Chen ..... D21/691
- D380,517 S \* 7/1997 Ho ..... D21/691
- D381,378 S \* 7/1997 Colonello et al. .... D21/687



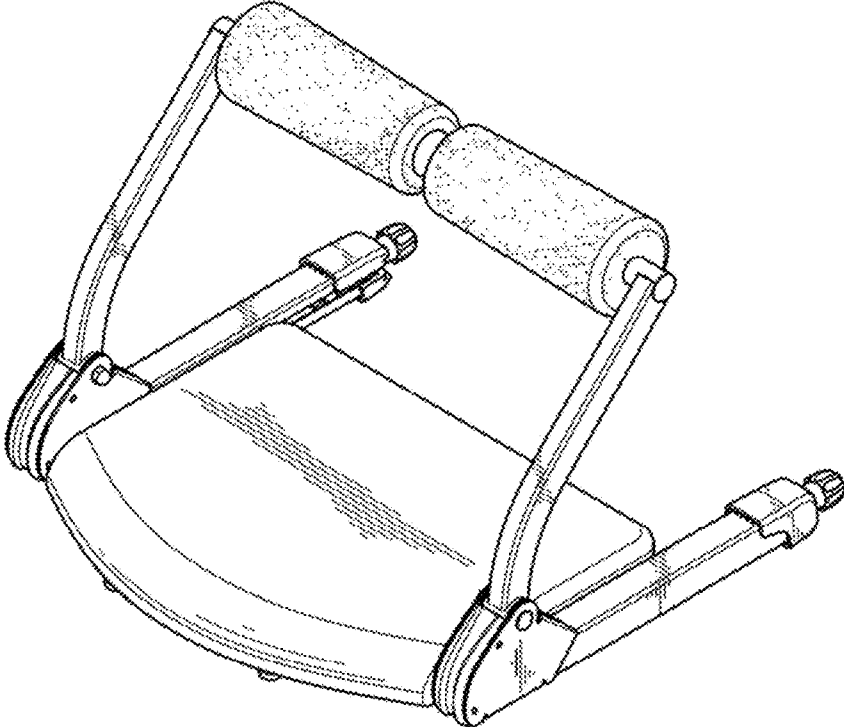


Fig. 1

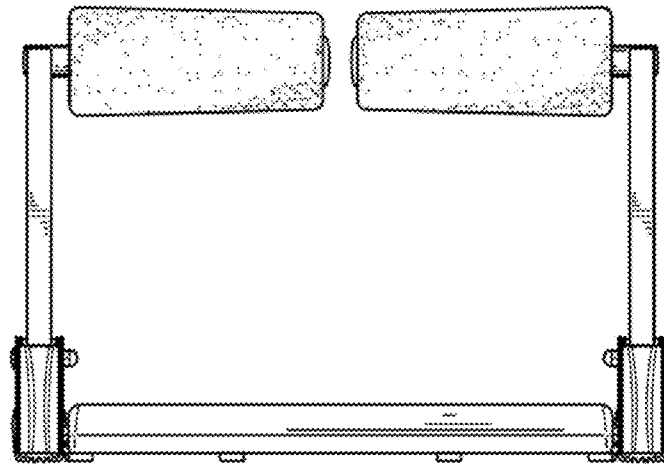


Fig. 2

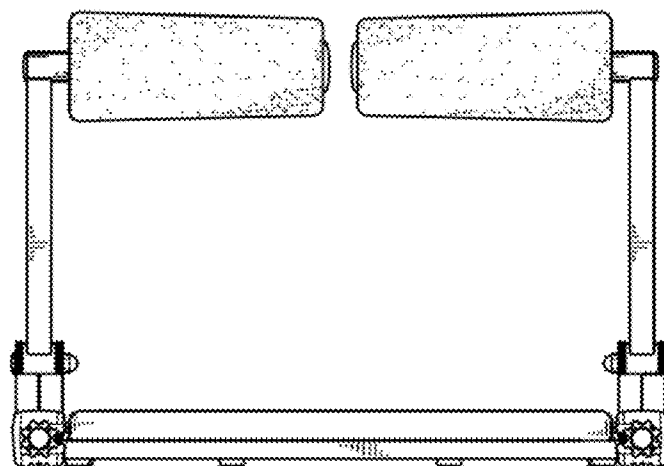


Fig. 3

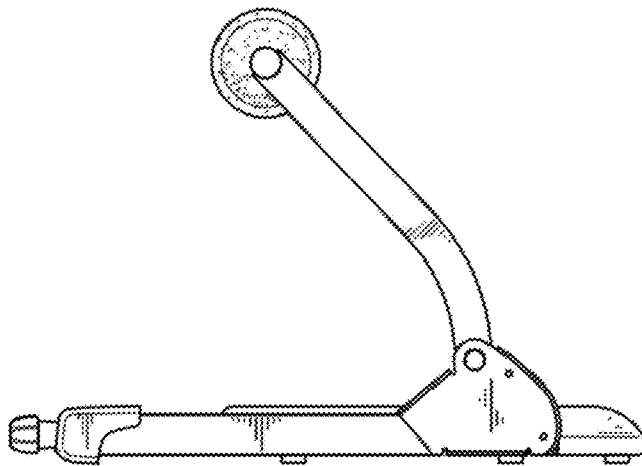


Fig. 4

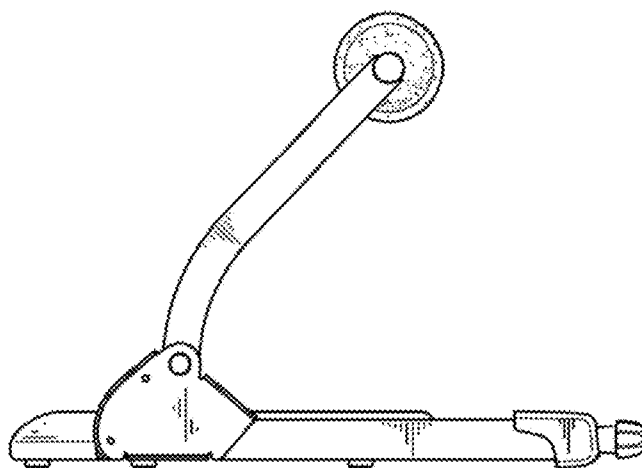


Fig. 5

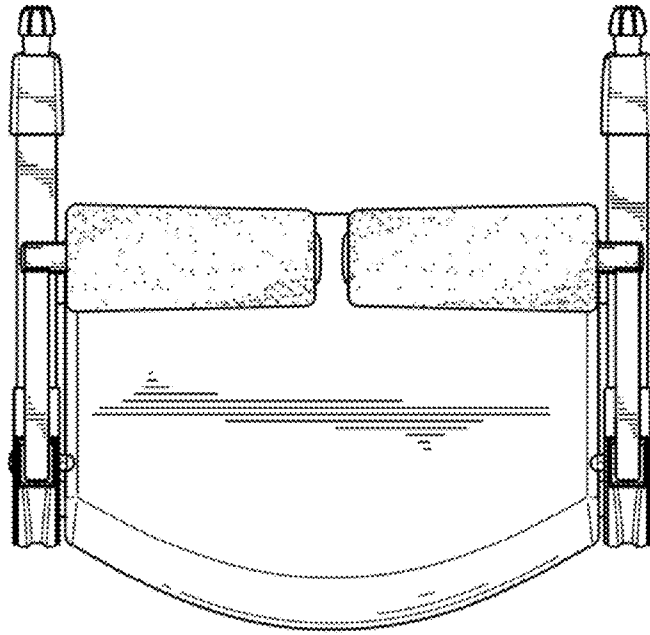


Fig. 6

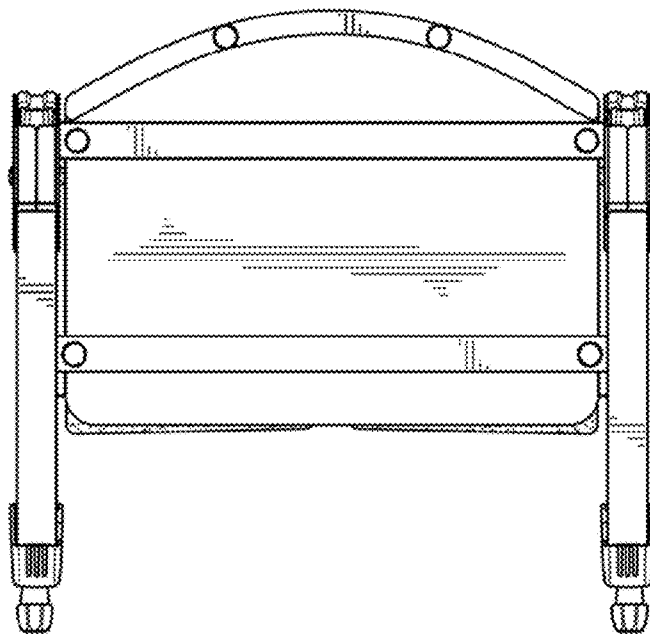


Fig. 7

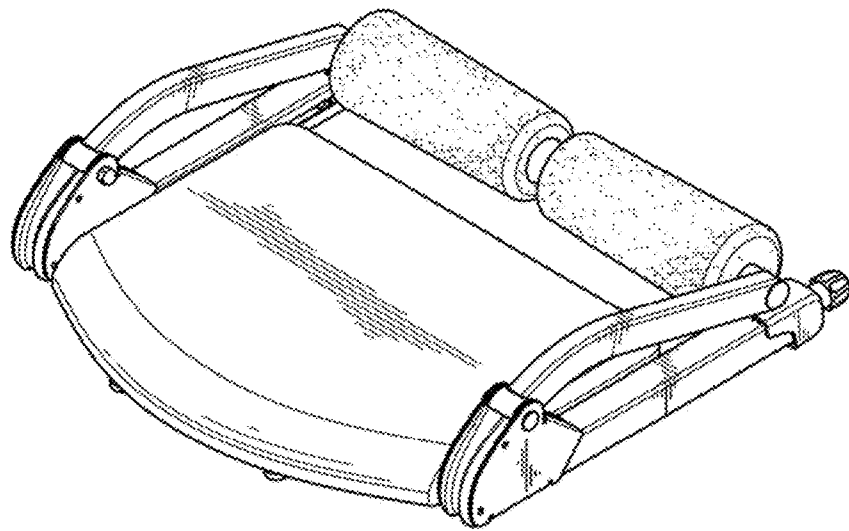


Fig. 8