



US00D765973S

(12) **United States Design Patent** (10) **Patent No.:** **US D765,973 S**  
**Tonelli et al.** (45) **Date of Patent:** **\*\* Sep. 13, 2016**

(54) **TRUNK**

D462,168 S \* 9/2002 Klemmensen ..... D3/276  
D467,426 S 12/2002 Hardigg et al.  
D489,528 S \* 5/2004 Ihenacho ..... D3/279

(71) Applicant: **G.T. LINE—S.R.L.**, Valsamoggia,  
franzione Crespel (IT)

(Continued)

(72) Inventors: **Massimo Tonelli**, Casalecchio di Reno  
(IT); **Alessio Concettoni**, Ancona (IT)

*Primary Examiner* — Jennifer Rivard

*Assistant Examiner* — April Rivas

(73) Assignee: **G.T. LINE—S.R.L.**, Frazione  
Crespellano (IT)

(74) *Attorney, Agent, or Firm* — Cantor Colburn LLP

(\*\*) Term: **15 Years**

(57) **CLAIM**  
The ornamental design for a trunk, as shown and described.

(21) Appl. No.: **29/540,334**

(22) Filed: **Sep. 23, 2015**

**DESCRIPTION**

**Related U.S. Application Data**

(62) Division of application No. 29/510,284, filed on Nov.  
26, 2014.

FIG. 1 is a perspective view of a trunk showing our new design in an embodiment;  
FIG. 2 is a front view thereof;  
FIG. 3 is a rear view thereof;  
FIG. 4 is a left side view thereof;  
FIG. 5 is a top view thereof;  
FIG. 6 is a bottom view thereof;  
FIG. 7 is a perspective view thereof with a handle extended;  
FIG. 8 is a right side view with the handle shown in a closed configuration;  
FIG. 9 is a perspective view in an open configuration;  
FIG. 10 is a perspective view thereof in a second embodiment;  
FIG. 11 is a front view thereof;  
FIG. 12 is a rear view thereof;  
FIG. 13 is a left side view thereof;  
FIG. 14 is a top view thereof;  
FIG. 15 is a bottom view thereof;  
FIG. 16 is a perspective view thereof with the handle extended;  
FIG. 17 is a right side with the handle shown in a closed configuration; and,  
FIG. 18 is a perspective view in the open configuration.  
The broken lines shown in the drawings illustrate portions of the trunk and form no part of the claimed design.

(30) **Foreign Application Priority Data**

Jun. 3, 2014 (EM) ..... 002475814

(51) **LOC (10) Cl.** ..... **03-01**

(52) **U.S. Cl.**  
USPC ..... **D3/279**; D3/284; D3/294; D3/905

(58) **Field of Classification Search**  
USPC ..... D3/905, 276, 279–284, 291, 294, 295,  
D3/298, 901, 302, 272, 273, 274, 903;  
206/372–379, 508; 220/523–528, 826,  
220/844  
CPC ..... B25H 3/02; B25H 3/021; B25H 3/022;  
B25H 3/023; B25H 3/025; B25H 3/026;  
B25H 3/027; B25H 3/028; B25H 3/00;  
B25H 3/003; B25H 3/006

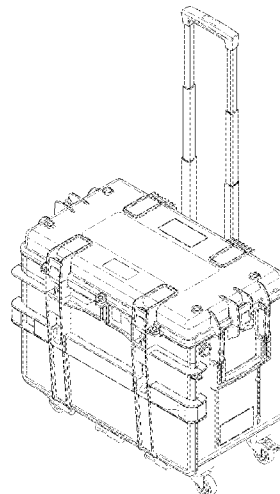
See application file for complete search history.

(56) **References Cited**

**U.S. PATENT DOCUMENTS**

D441,954 S \* 5/2001 Parker ..... D3/273  
D454,430 S \* 3/2002 Sijmons ..... D3/279

**1 Claim, 18 Drawing Sheets**



(56)

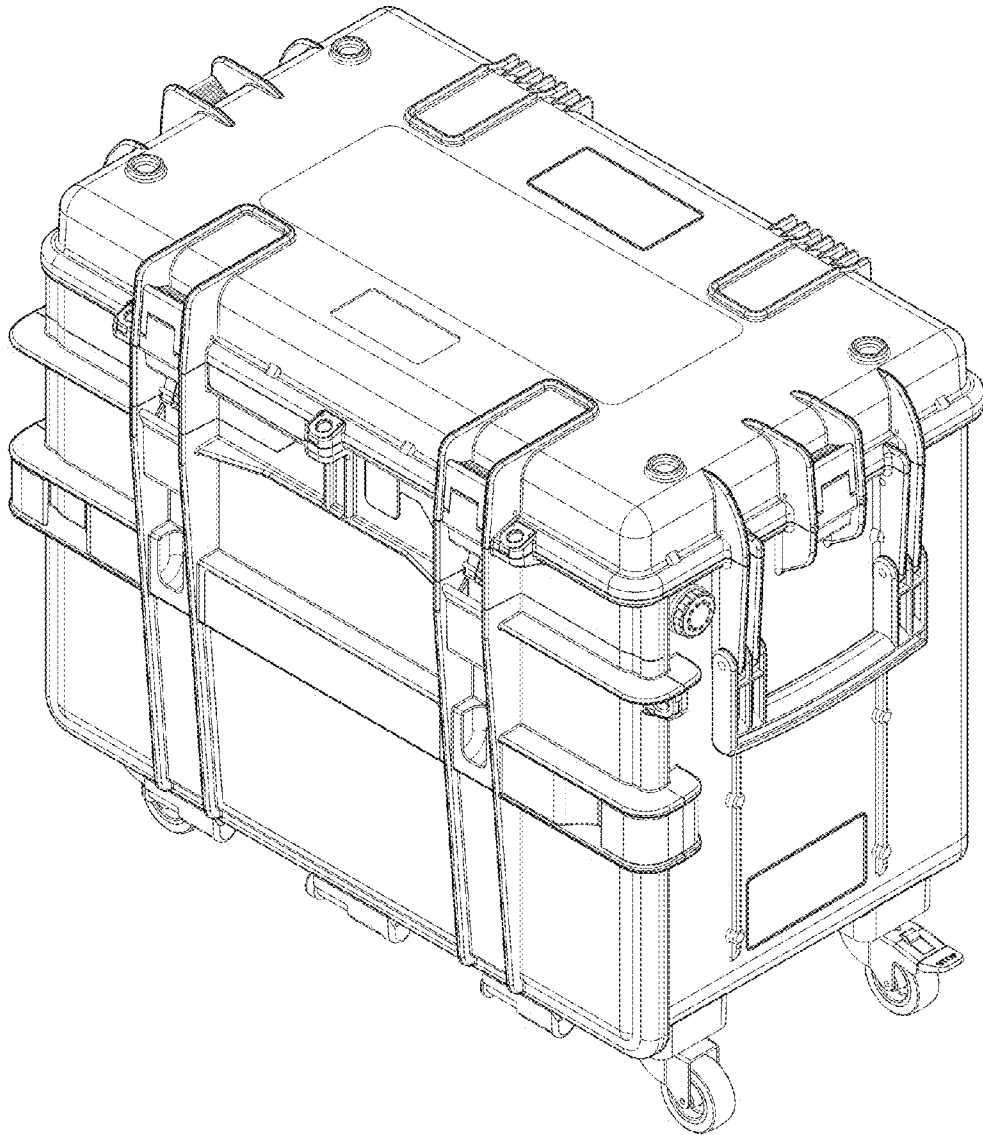
**References Cited**

U.S. PATENT DOCUMENTS

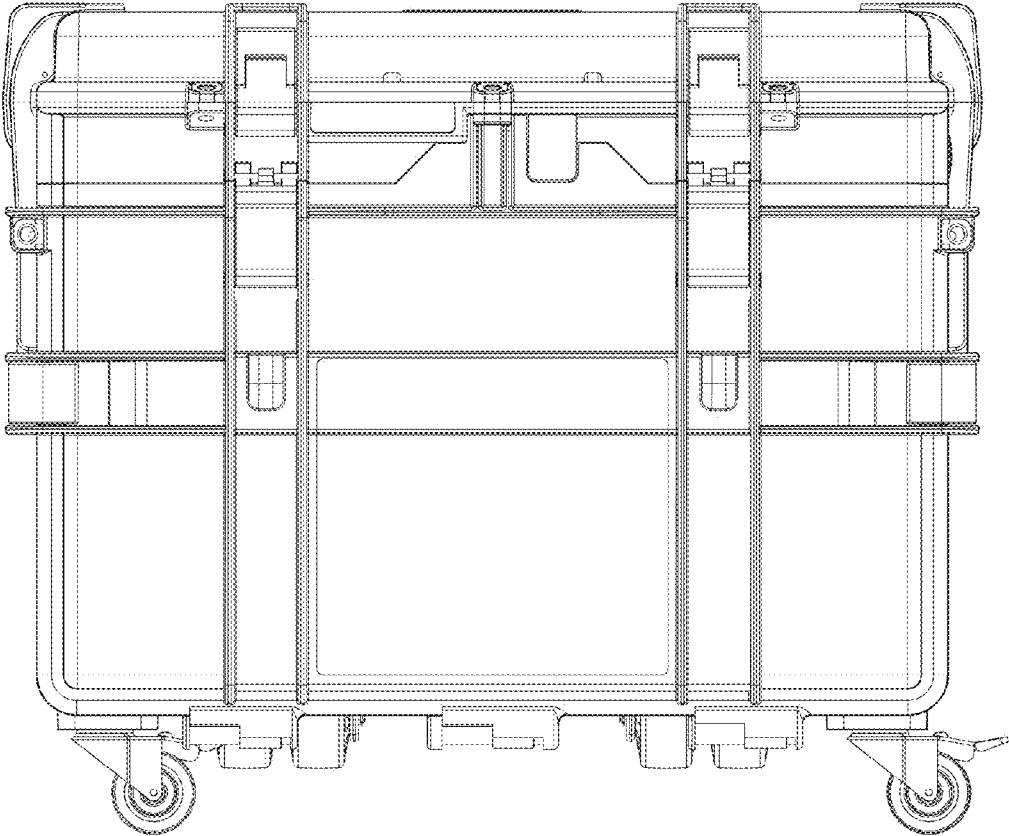
6,761,366 B1 7/2004 Klemmensen et al.  
 D523,242 S \* 6/2006 Hardigg ..... D3/276  
 D607,207 S \* 1/2010 Horiyama ..... D3/279  
 D609,911 S \* 2/2010 Twig ..... D3/279  
 D649,350 S 11/2011 Shitrit  
 D649,783 S 12/2011 Brunner  
 D653,832 S 2/2012 Vilkomirski et al.  
 D668,869 S 10/2012 Yamamoto et al.  
 D693,121 S 11/2013 Bensman et al.  
 D702,044 S 4/2014 Shitrit et al.  
 D709,287 S 7/2014 Shitrit et al.  
 D710,099 S 8/2014 Horovitz et al.  
 D710,100 S 8/2014 Brunner  
 D711,105 S 8/2014 Brunner

D718,051 S 11/2014 Frahm et al.  
 D724,320 S \* 3/2015 Russell ..... D3/273  
 D728,934 S 5/2015 Brunner  
 D742,640 S \* 11/2015 Sabbag ..... D3/281  
 2002/0117414 A1 \* 8/2002 Kipper ..... B25H 3/023  
 2002/0125159 A1 \* 9/2002 Hann ..... B25H 3/021  
 2004/0134818 A1 \* 7/2004 Cunningham ..... B25H 3/023  
 2009/0078593 A1 \* 3/2009 Patstone ..... F16B 12/44  
 2011/0127264 A1 \* 6/2011 Whalen ..... A45C 5/03  
 2014/0197059 A1 \* 7/2014 Evans ..... B25H 3/02  
 206/373  
 206/372  
 206/373  
 206/216  
 220/203.01  
 206/349

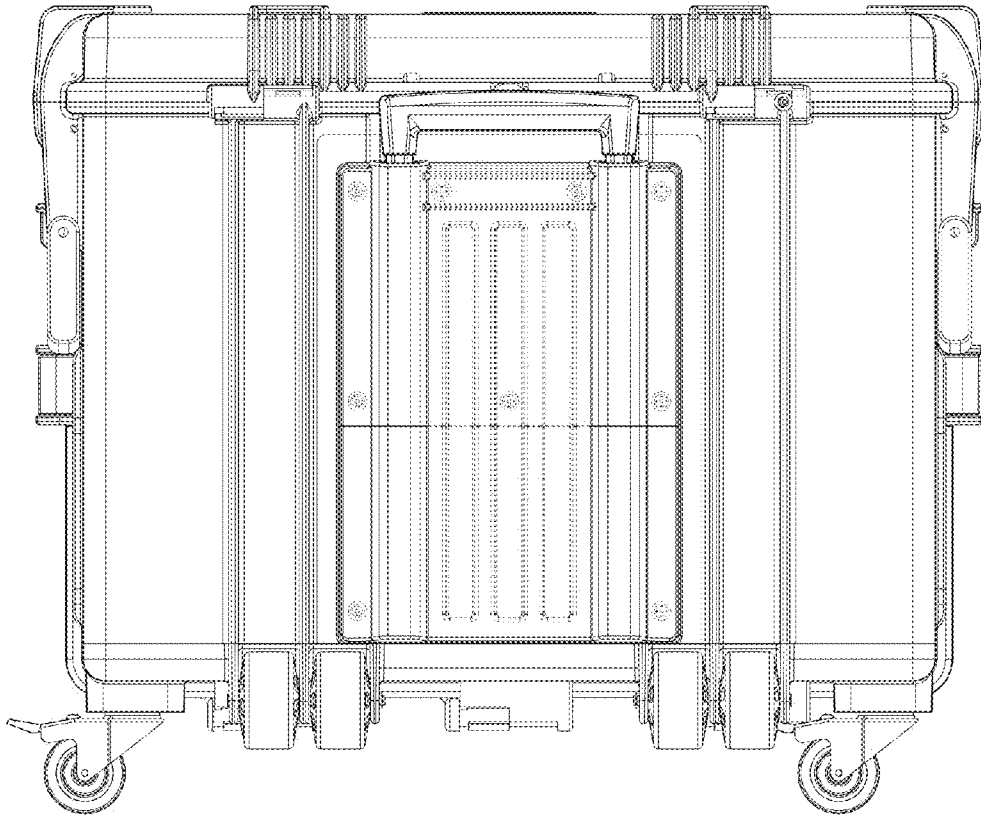
\* cited by examiner



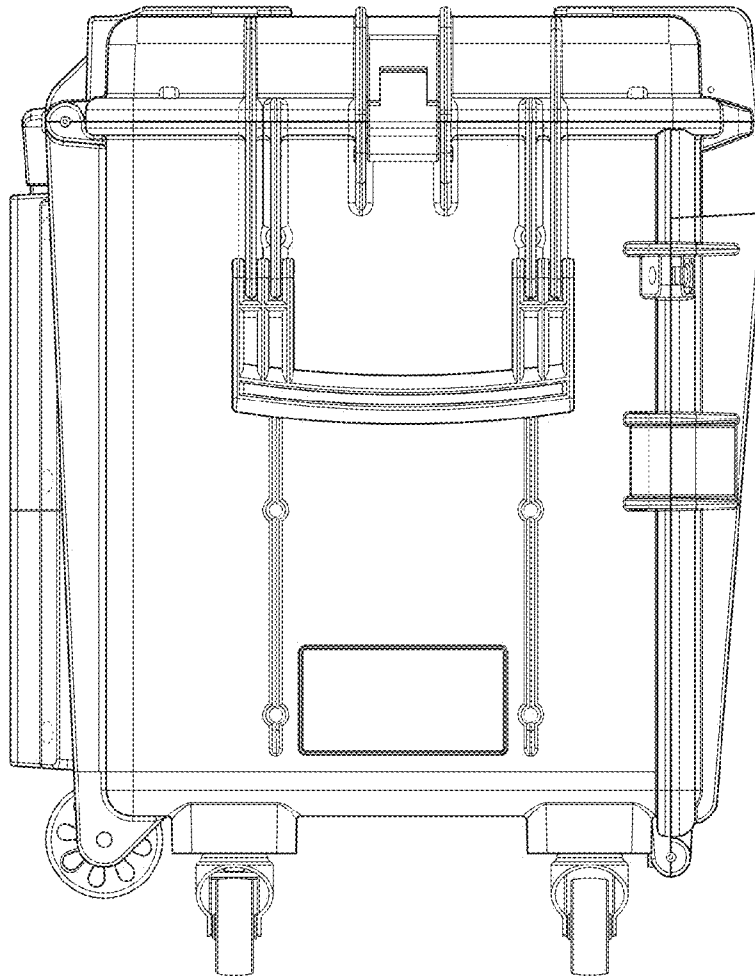
*Fig. 1*



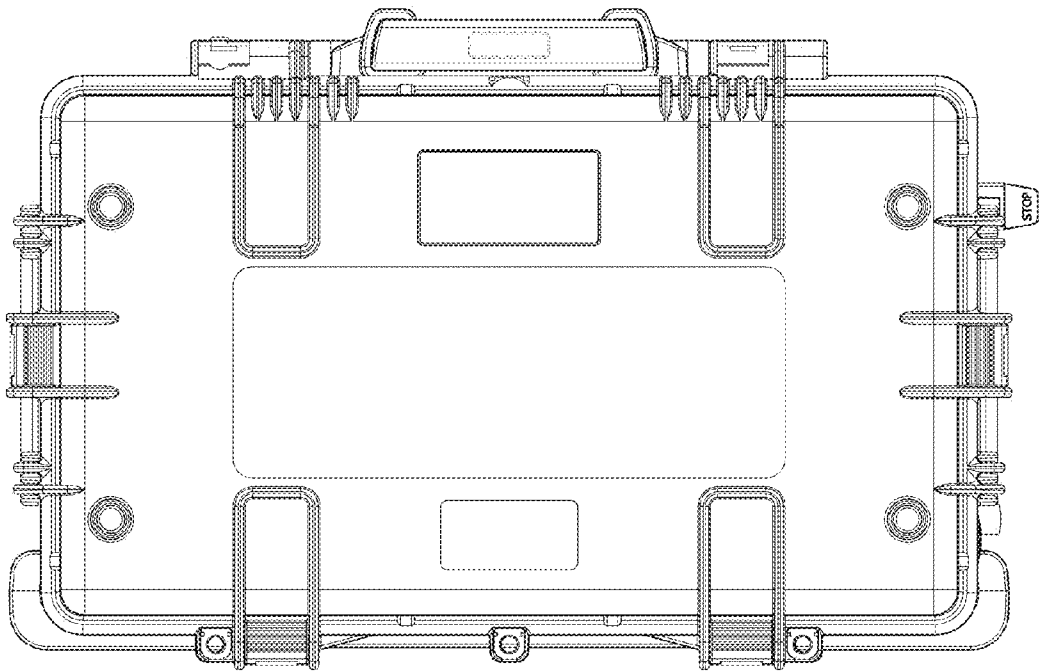
*Fig. 2*



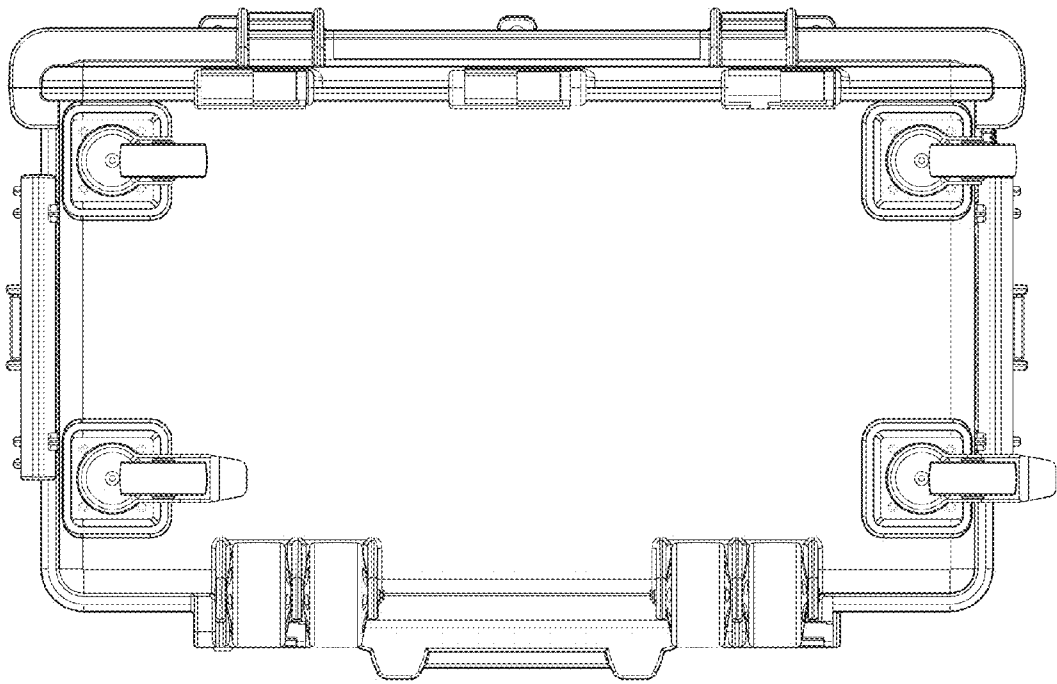
*Fig. 3*



*Fig. 4*

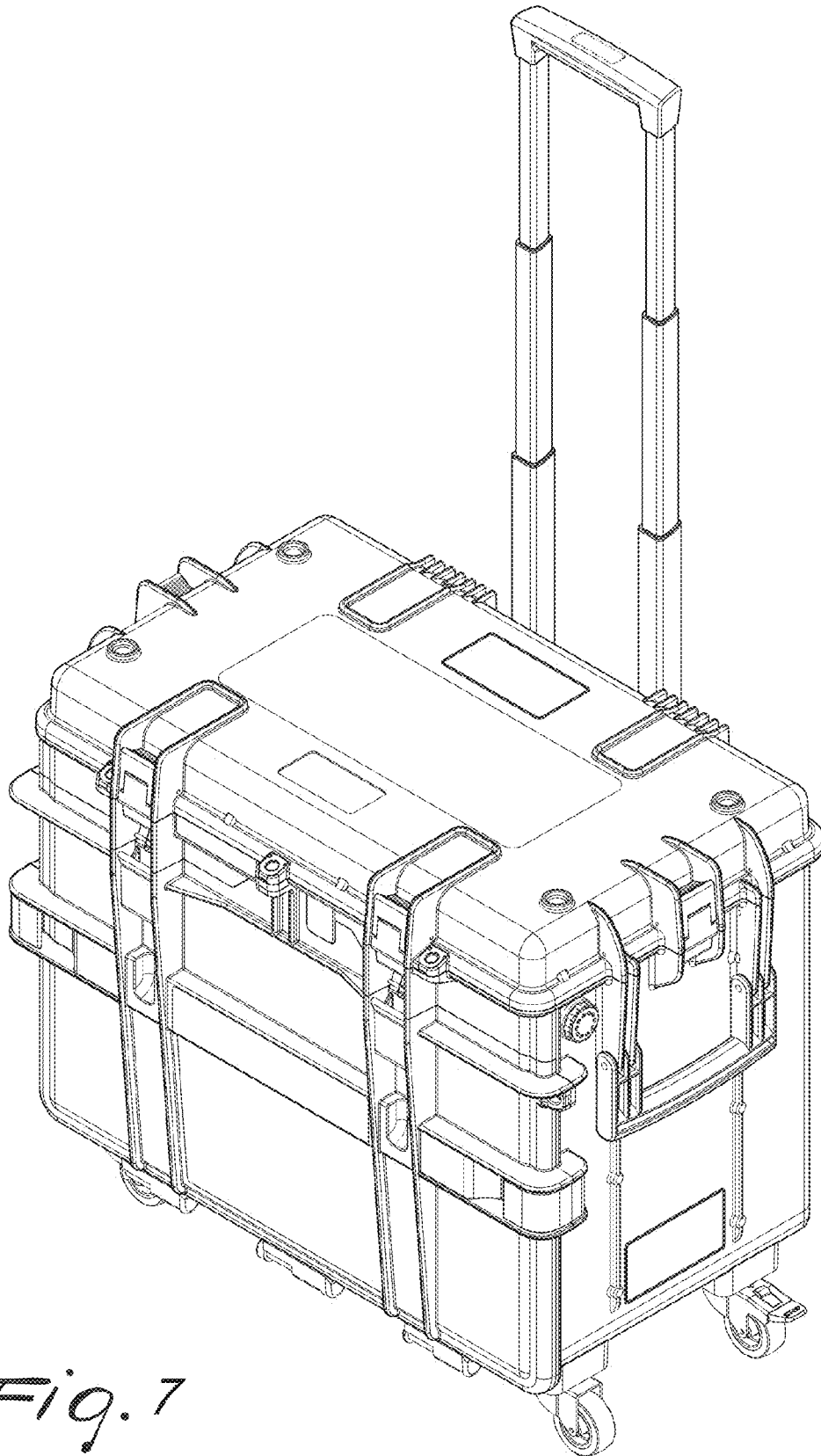


*Fig. 5*

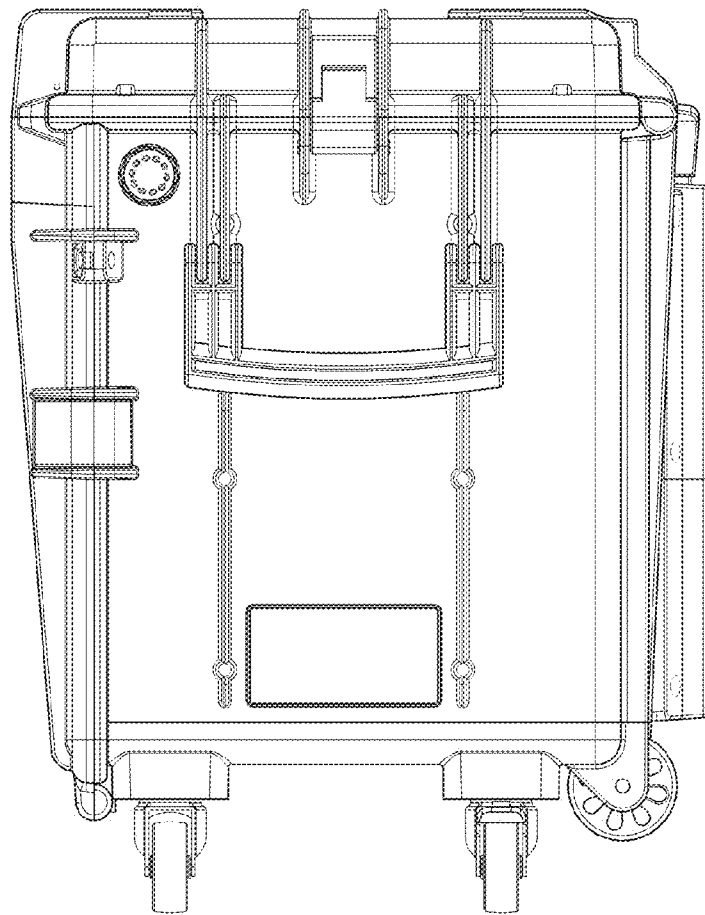


*Fig. 6*

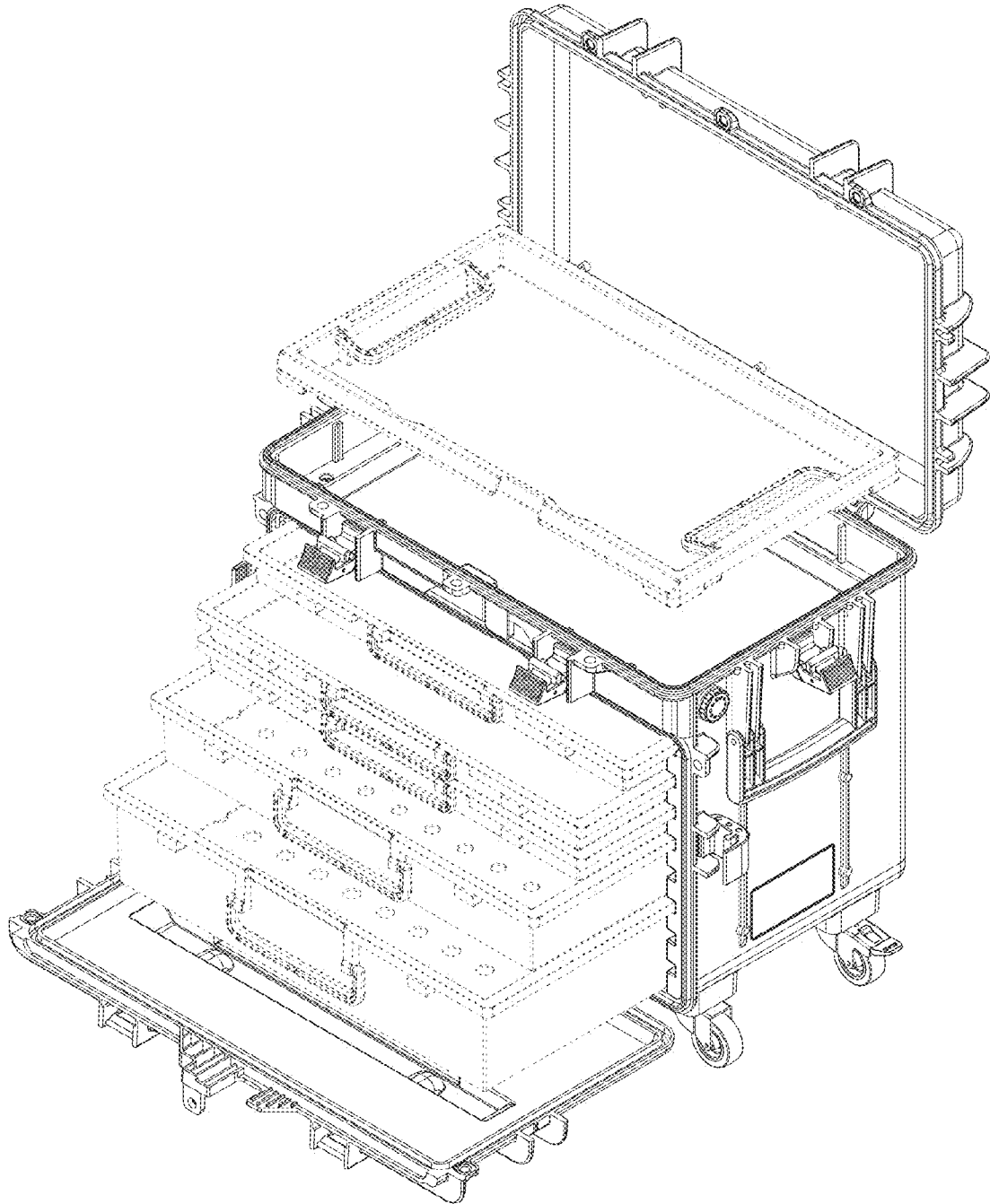




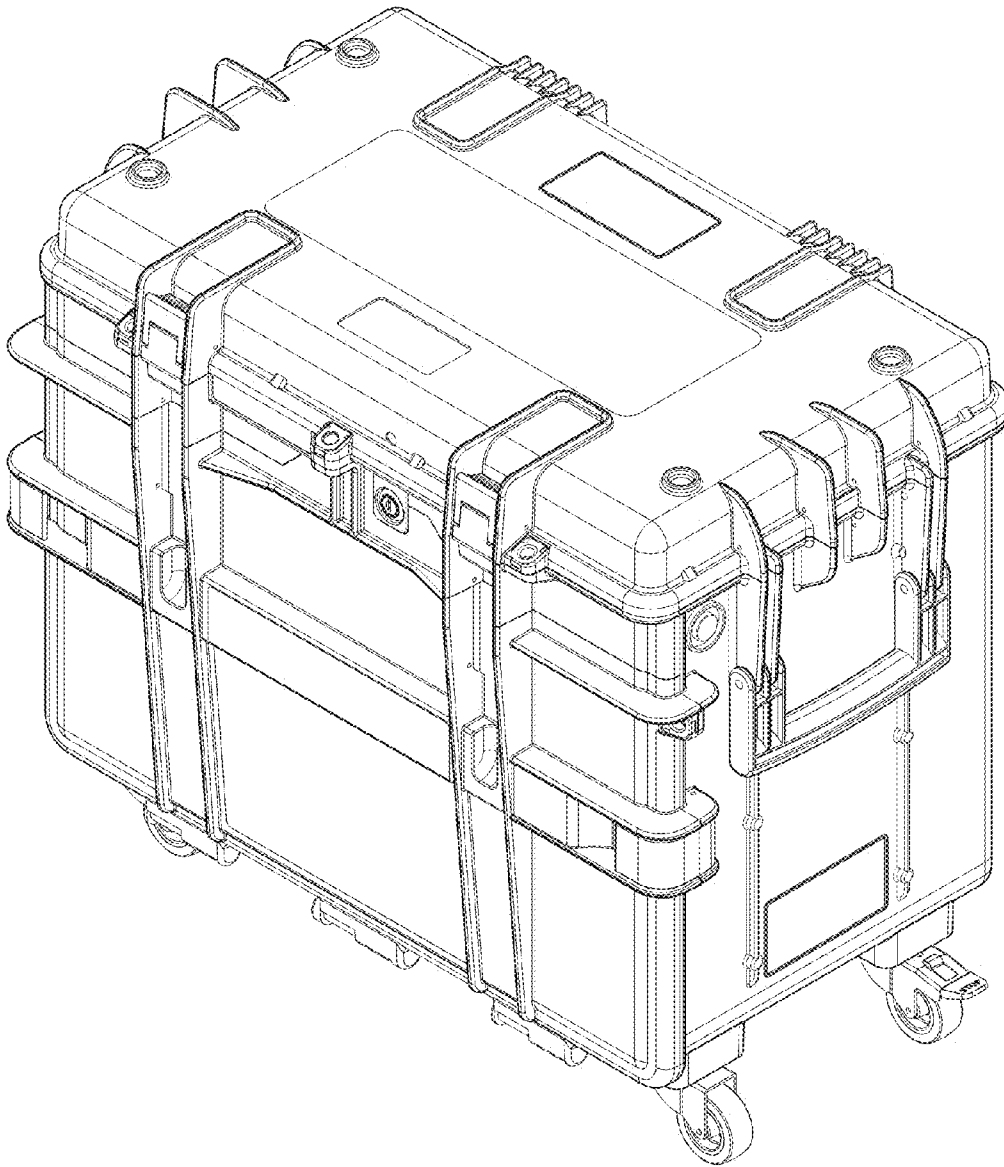
*Fig. 7*



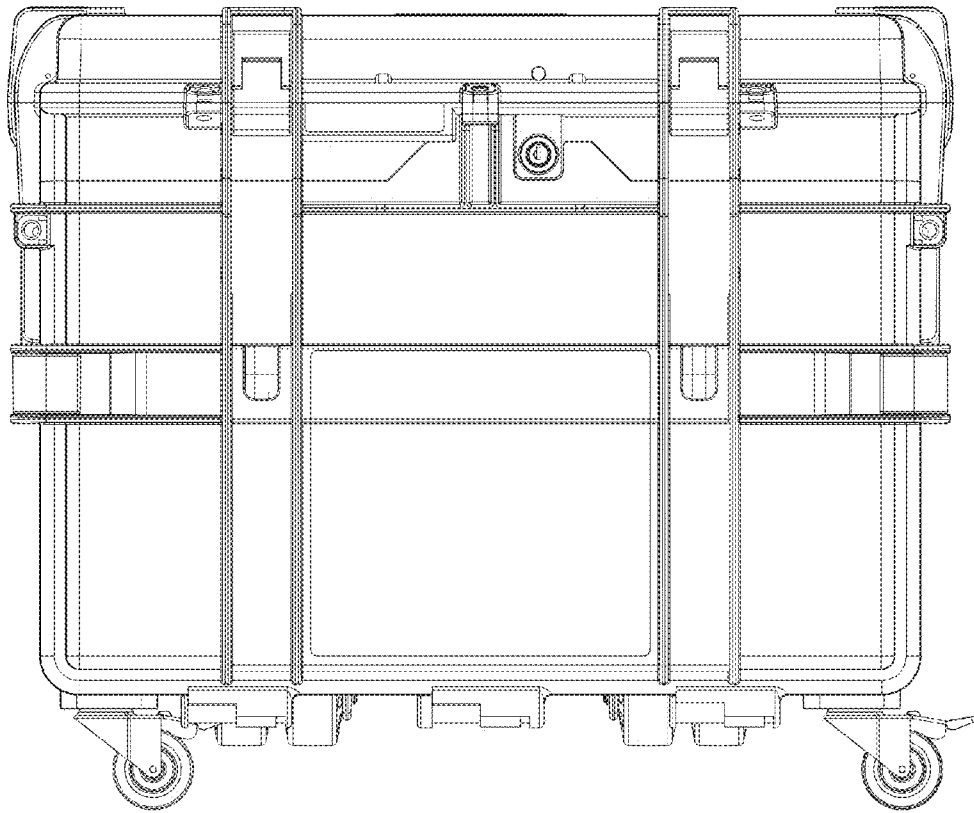
*Fig. 8*



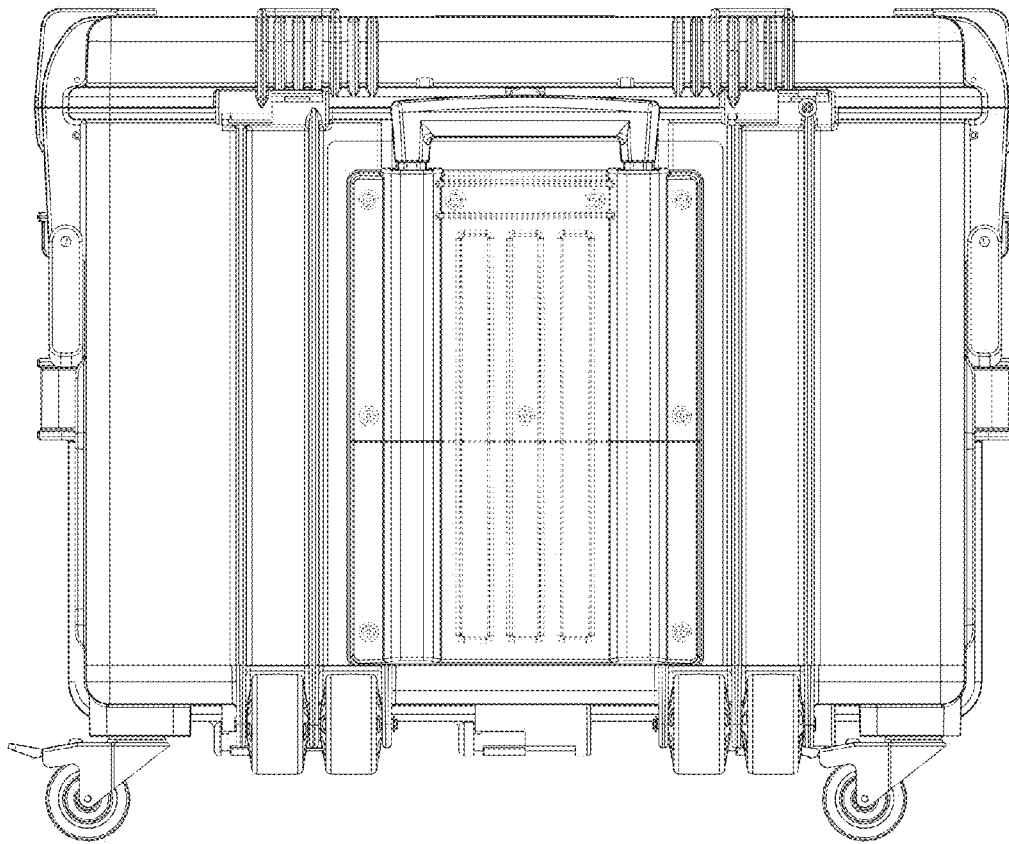
*Fig. 9*



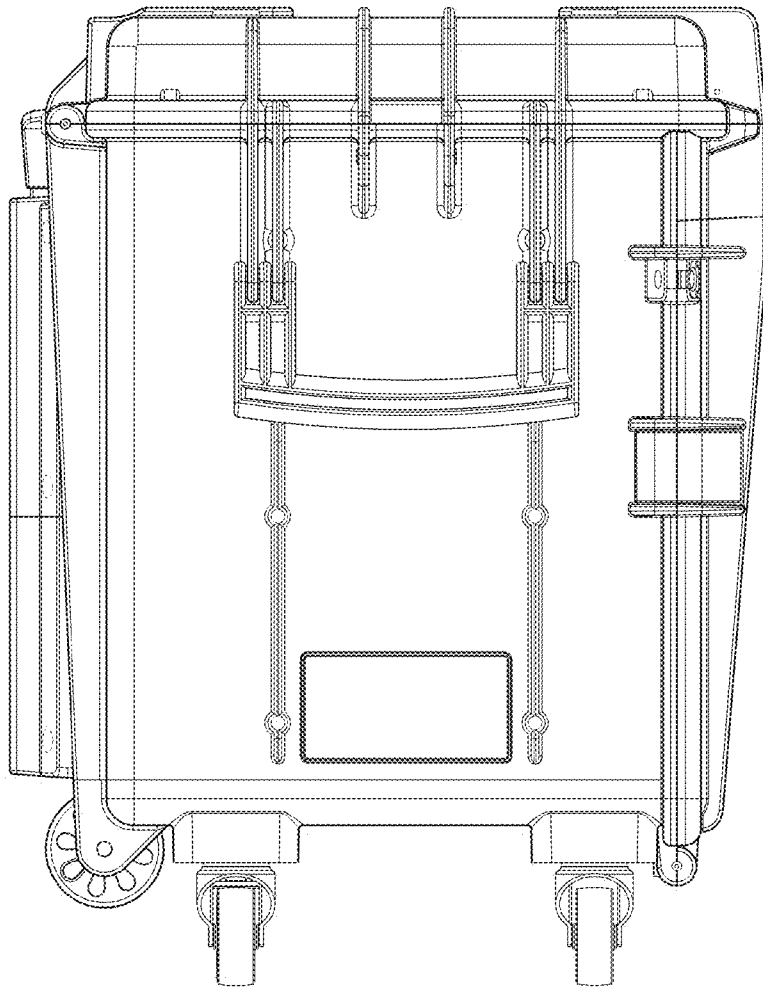
*Fig. 10*



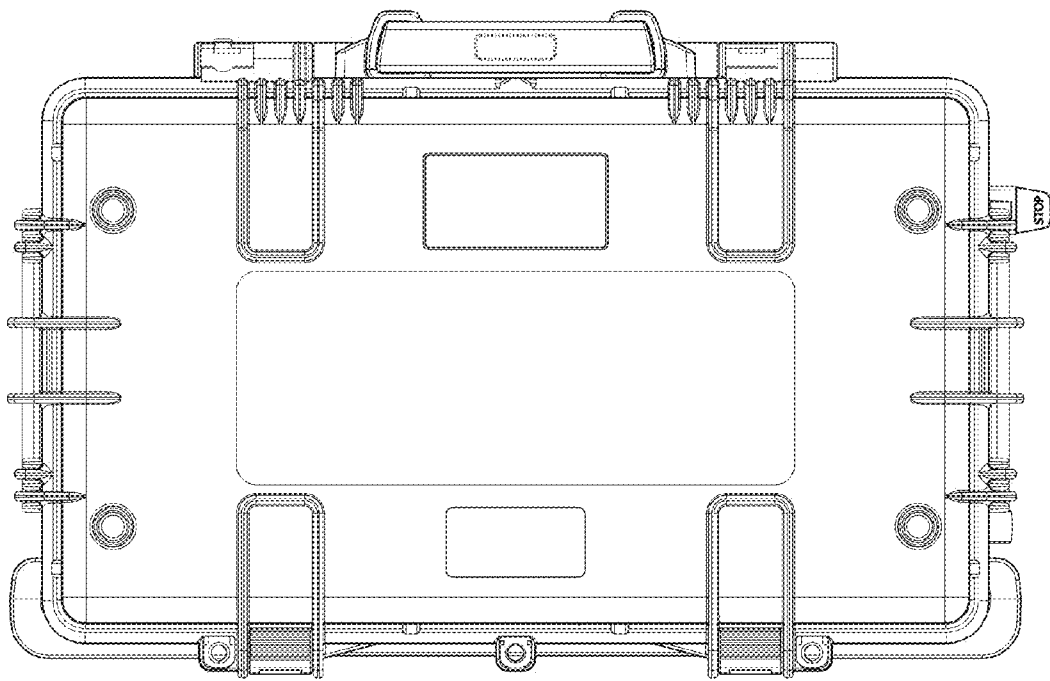
*Fig. 11*



*Fig. 12*

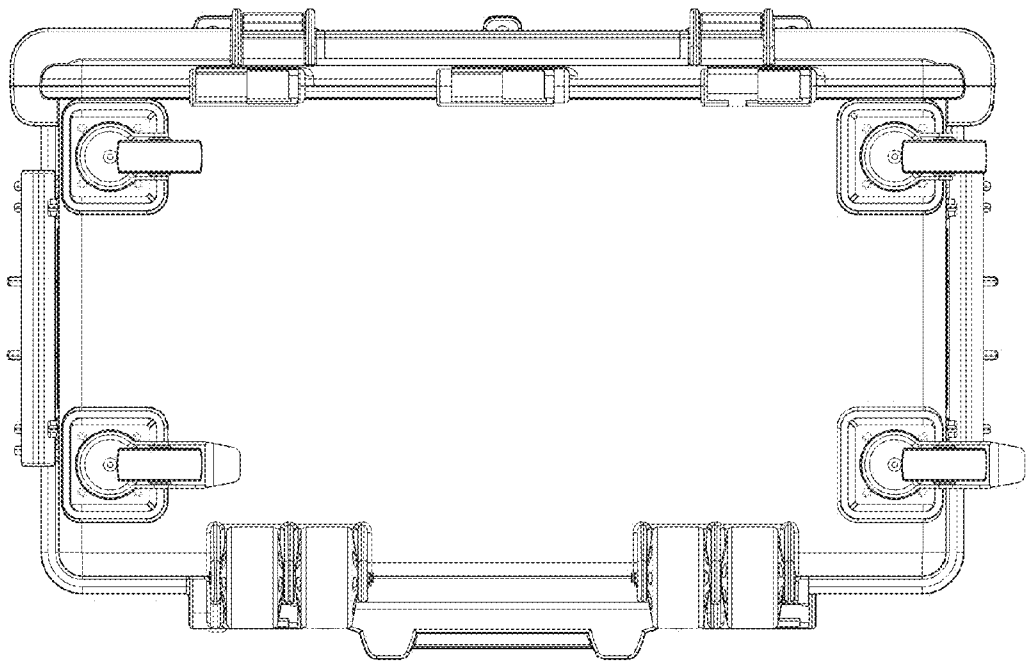


*Fig. 13*

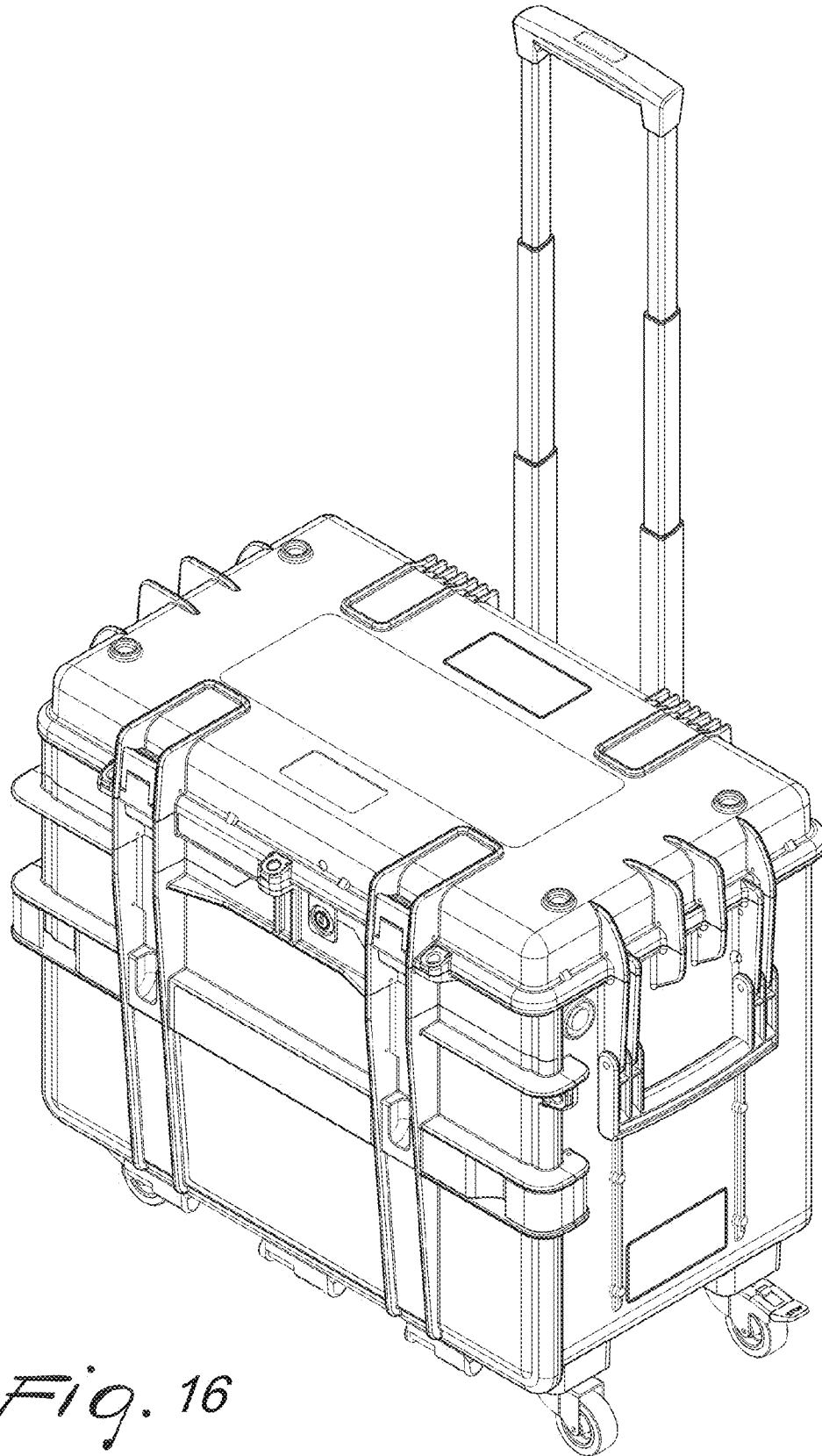


*Fig. 14*

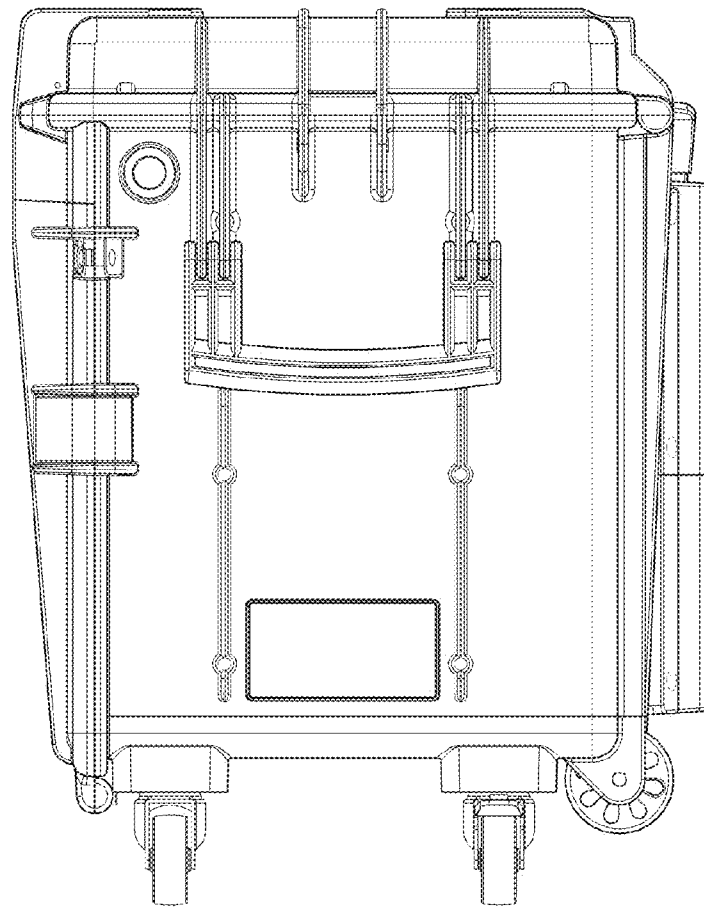




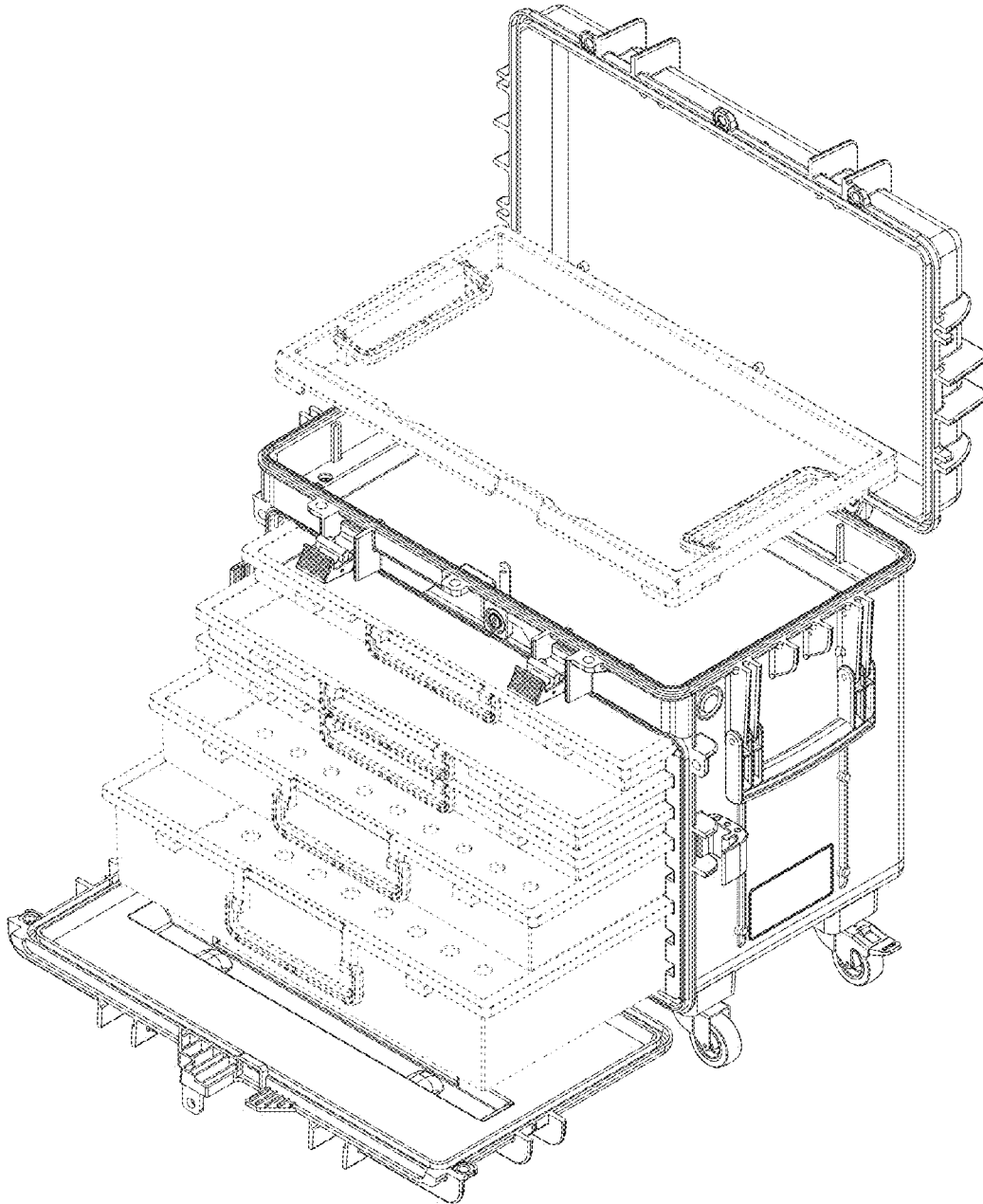
*Fig. 15*



*Fig. 16*



*Fig. 17*



*Fig. 18*