



US00D989003S

(12) **United States Design Patent**
Liddle

(10) **Patent No.:** **US D989,003 S**

(45) **Date of Patent:** **** Jun. 13, 2023**

(54) **ELECTRICAL APPLIANCE**

(71) Applicant: **Splitvolt, Inc.**, Santa Clara, CA (US)

(72) Inventor: **Daniel Liddle**, Gilroy, CA (US)

(73) Assignee: **Splitvolt, Inc.**, Santa Clara, CA (US)

(**) Term: **15 Years**

(21) Appl. No.: **29/795,098**

(22) Filed: **Jun. 16, 2021**

(51) **LOC (14) Cl.** **13-03**

(52) **U.S. Cl.**
USPC **D13/137.2**

(58) **Field of Classification Search**
USPC D13/137.1, 137.2, 137.3, 137.4, 138.1,
D13/138.2, 139.1, 139.2, 139.3, 139.4,
D13/139.5, 139.6, 139.7, 139.8, 184, 199,
D13/107

CPC H01R 13/11; H01R 13/518; H01R 13/642;
H01R 13/652; H01R 25/003; H01R
25/006; H01R 43/26; H01H 71/62; H01H
73/14; H02J 7/00; H02J 7/0013; H02J
7/0014; H02J 7/0016; H02J 7/0018

See application file for complete search history.

(56) **References Cited**

U.S. PATENT DOCUMENTS

D285,787 S *	9/1986	Schwartz	D13/137.3
D310,203 S *	8/1990	Takahashi	D13/107
D400,855 S *	11/1998	Lee	D13/107
D549,650 S *	8/2007	Russell	D13/137.2
D587,203 S *	2/2009	Dennes	D13/133
D592,141 S *	5/2009	Mancari	D13/139.1
D602,434 S *	10/2009	Mancari	D13/139.1
D651,175 S *	12/2011	Liang-Hsu	D13/139.1
D657,314 S *	4/2012	Ruffner	D13/139.1
D660,236 S *	5/2012	Liang-Hsu	D13/139.1
D693,769 S *	11/2013	Picard	D13/137.1
D702,639 S *	4/2014	Ruffner	D13/110

D731,966 S *	6/2015	Rabalais	D13/107
D800,662 S *	10/2017	Wu	D13/137.1
D821,971 S *	7/2018	Yang	D13/107
D851,596 S *	6/2019	Koch	D13/137.2
D871,341 S *	12/2019	Jensen	D13/137.1
D879,720 S *	3/2020	Gao	D13/137.3
D882,520 S *	4/2020	Little	D13/137.2
D900,747 S *	11/2020	Huang	D13/137.2
D913,922 S *	3/2021	You	D13/110

(Continued)

OTHER PUBLICATIONS

“Multi Plug Outlet Extender, Lencent 3 Outlets Splitter with 3 USB, Wall Charger, 3-Side Widely Spaced Wall Tap, Multiple Charger Box Expander for Home, Office, Dorm, Cruise Ship Approved—White”, first available Nov. 3, 2020. Amazon.com [https://www.amazon.com/dp/B08ML7RS2V] (Year: 2020).*

(Continued)

Primary Examiner — Rosemary K Tarcza
Assistant Examiner — Seth David Kumpf
(74) *Attorney, Agent, or Firm* — Fenwick & West LLP

(57) **CLAIM**

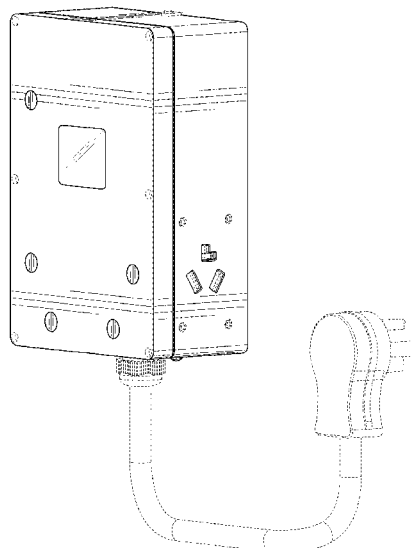
The ornamental design for an electrical appliance, as shown and described.

DESCRIPTION

FIG. 1 is a front and right perspective view of an electrical appliance;
FIG. 2 is a front view thereof;
FIG. 3 is a back view thereof;
FIG. 4 is a left view thereof;
FIG. 5 is a right view thereof;
FIG. 6 is a top view thereof; and,
FIG. 7 is a bottom view thereof.

The broken lines in the drawings are included for the purpose of illustrating portions of the electrical appliance that form no part of the claimed design.

1 Claim, 7 Drawing Sheets



(56)

References Cited

U.S. PATENT DOCUMENTS

D934,171	S	*	10/2021	Yuan	D13/110
D935,391	S	*	11/2021	McCool	D13/107
D953,269	S	*	5/2022	Yuan	D13/137.1
D960,826	S	*	8/2022	Wu	D13/107
D975,004	S	*	1/2023	Peng	D13/107
2011/0163712	A1	*	7/2011	Chen	H01M 10/488 320/107

OTHER PUBLICATIONS

“Multi Plug Outlet, Trond Outlet Extender with 4 USB Wall Charger, Surge Protector, 8 Plug Extender, Wall Outlet Expander, Outlet Splitter for Home Kitchen Office Dorm Room Essentials”, first available Mar. 21, 2022. Amazon.com [https://www.amazon.com/dp/B09QG7P9CH] (Year: 2022).*

“15 amp Blade Duo In Drawer Outlet”, first accessed Oct. 13, 2022. DockingDrawer.com [https://dockingdrawer.com/products/blade-duo-15-amps?variant=32938592010283] (Year: 2022).*

“Aida 10-30R Dryer Outlet 30-Amp 3-Pole, 3-Wire 125/250-Volts Non-grounding Heavy Duty Flush Mount Power Receptacle for Dryer, Space Heaters, UL Listed, 030626”, first available Sep. 2, 2019. Amazon.com [https://www.amazon.com/dp/B07X8M6BG4] (Year: 2019).*

“Outlet Extender, Hicity Multi Plug Outlet with 6 Electrical Outlets Adapter, 3-Prong Wall Outlet Tap for Cruise Ship Home Office Dorm, White (2 Pack)”, first available Nov. 7, 2020. Amazon.com [https://www.amazon.com/dp/B08MX4X2Z2] (Year: 2020).*

“Enerlites 30 Amp Dryer Receptacle, Outlet for Electric Dryers, Nema 10-30R, Residential Commercial Industrial Grade, Outdoor/Indoor, 3-Pole, 3 Wire, No Ground Contact, UL Listed, 67300-BK, Black”, first available May 1, 2019. Amazon.com [https://www.amazon.com/dp/B07RCLBV2B] (Year: 2019).*

Qualtek Electronics Corporation, “Nema Configurations Chart: North American Non-Locking Plugs and Receptacles,” Sep. 4, 2016, one page.

* cited by examiner

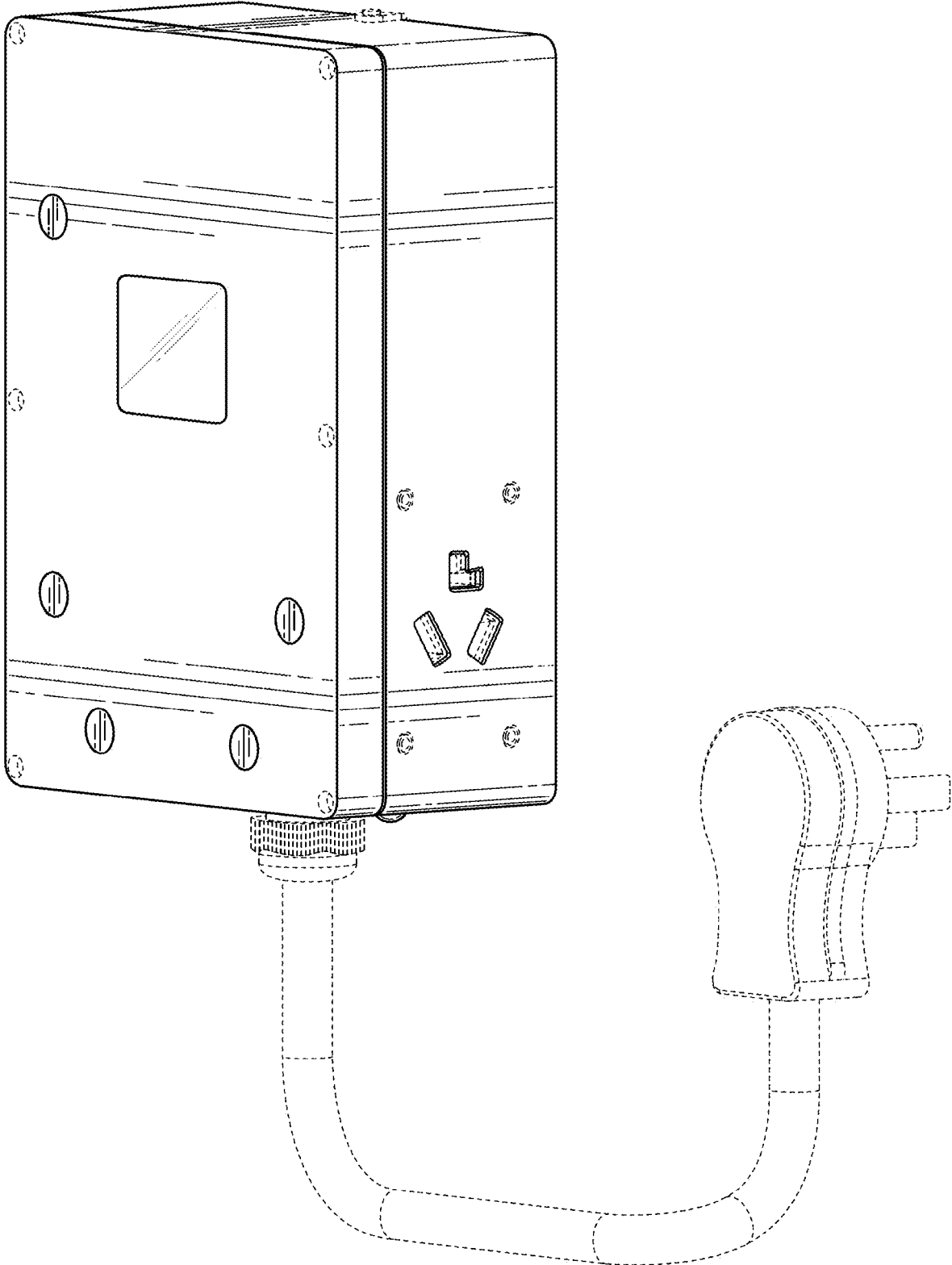


FIG. 1

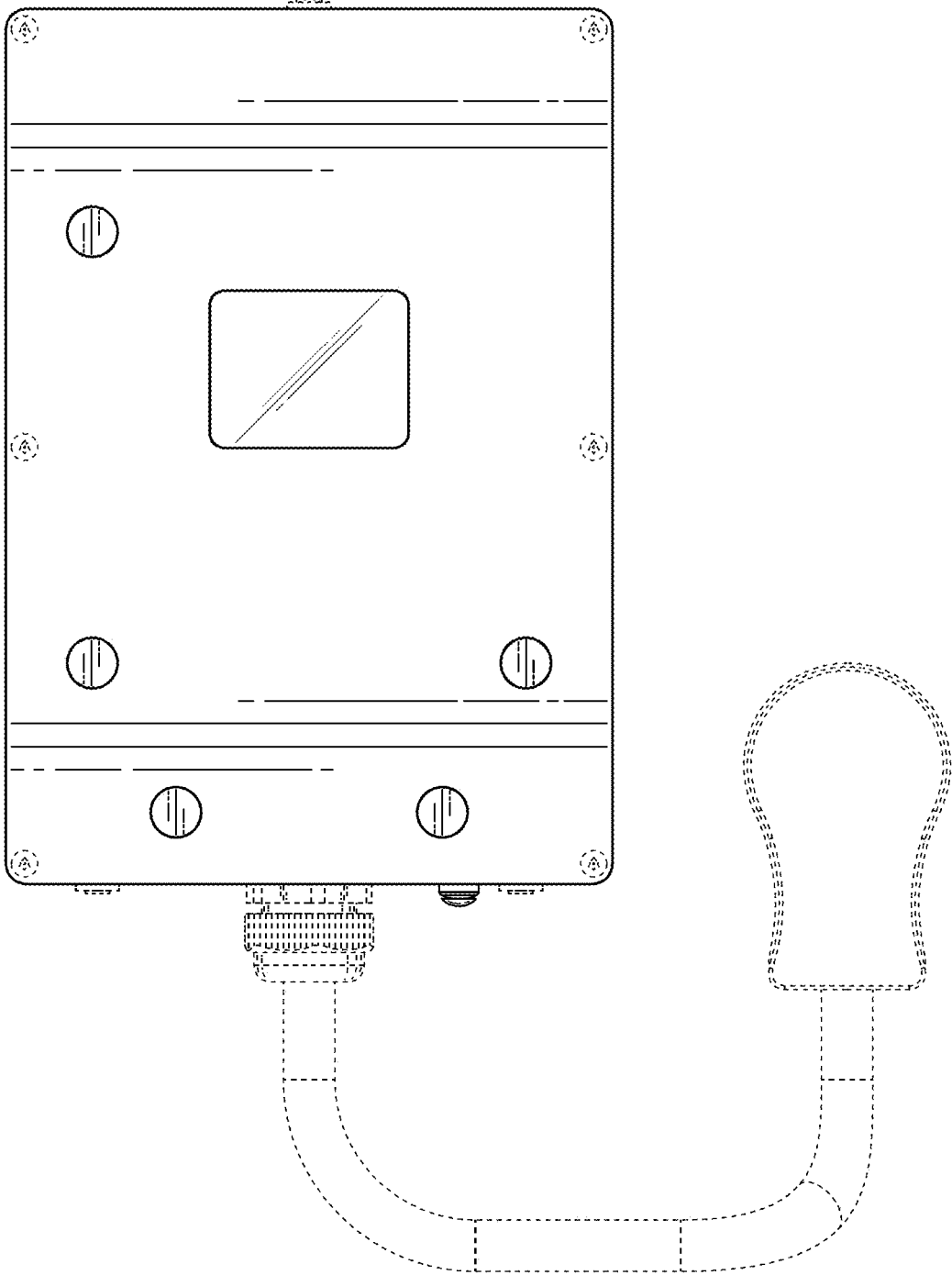


FIG. 2

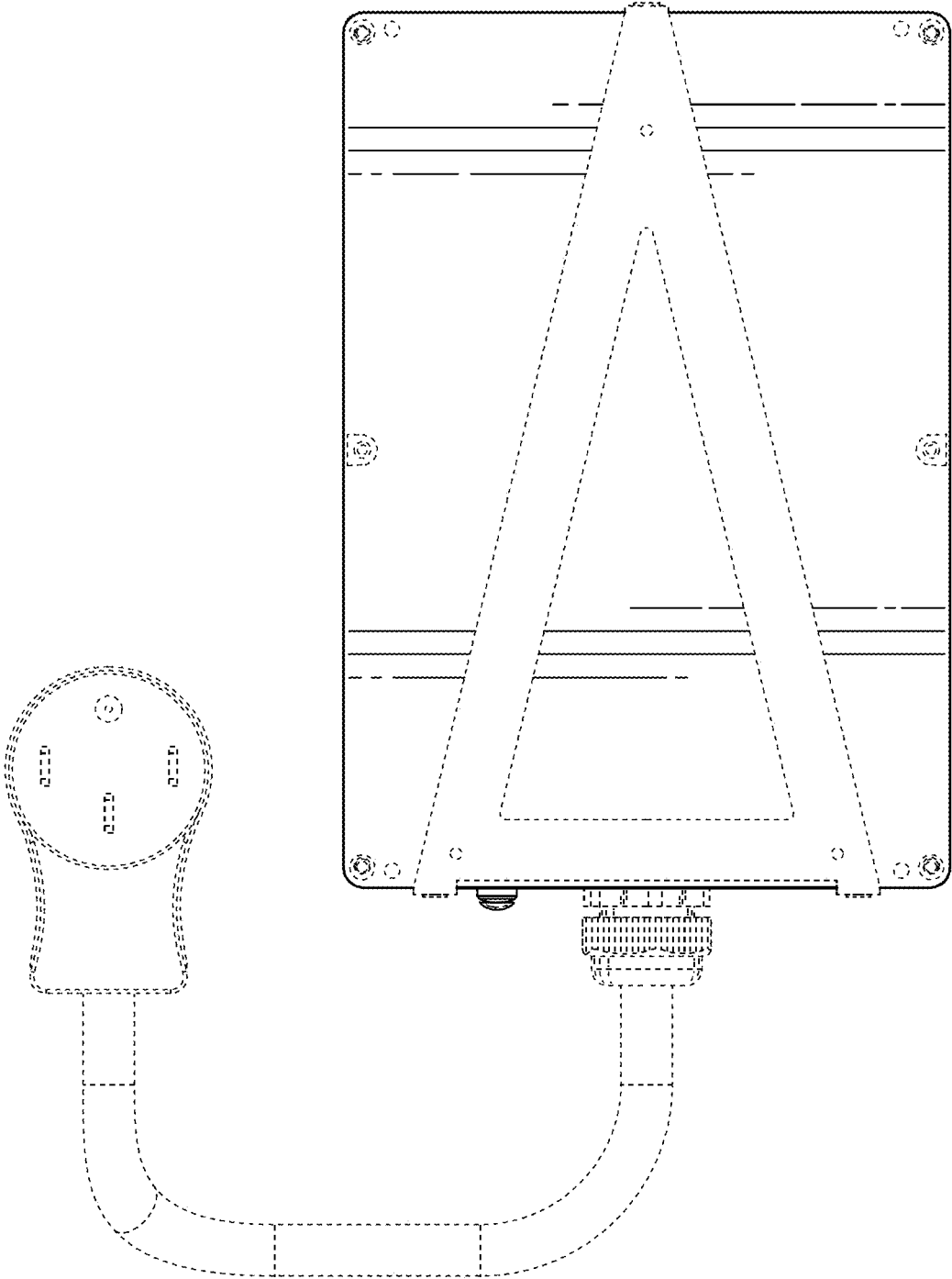


FIG. 3

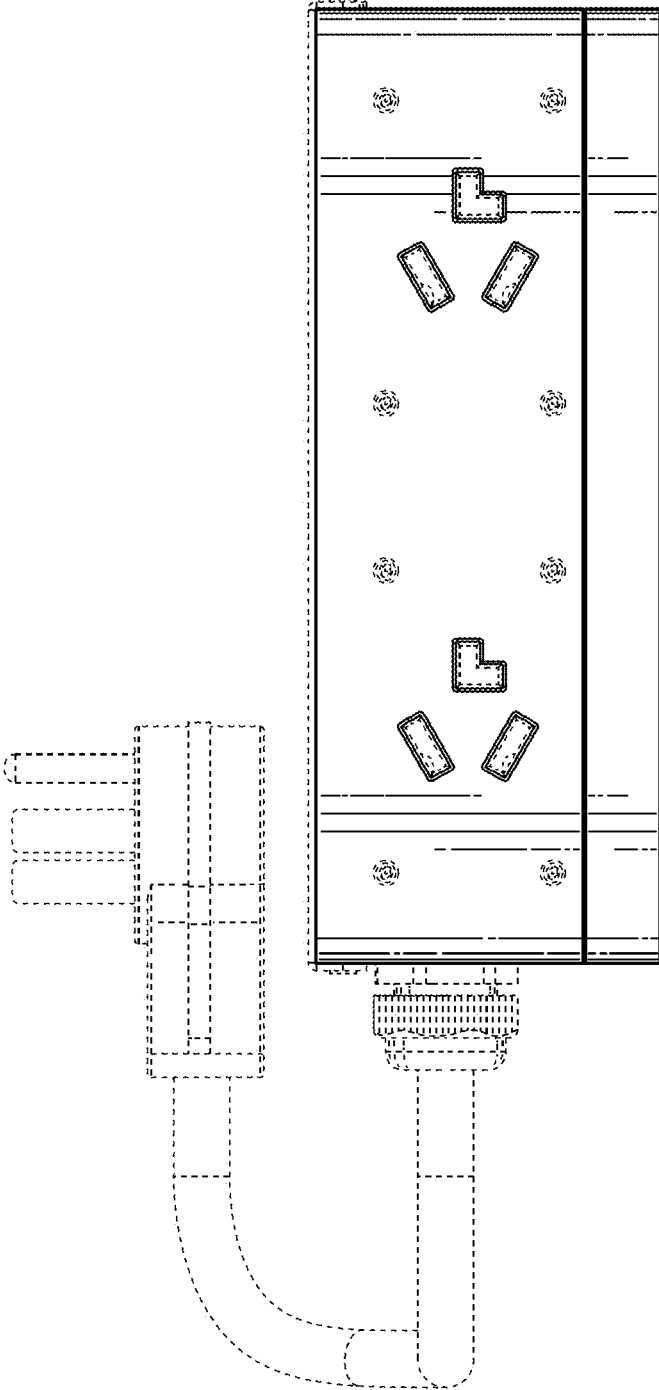


FIG. 4

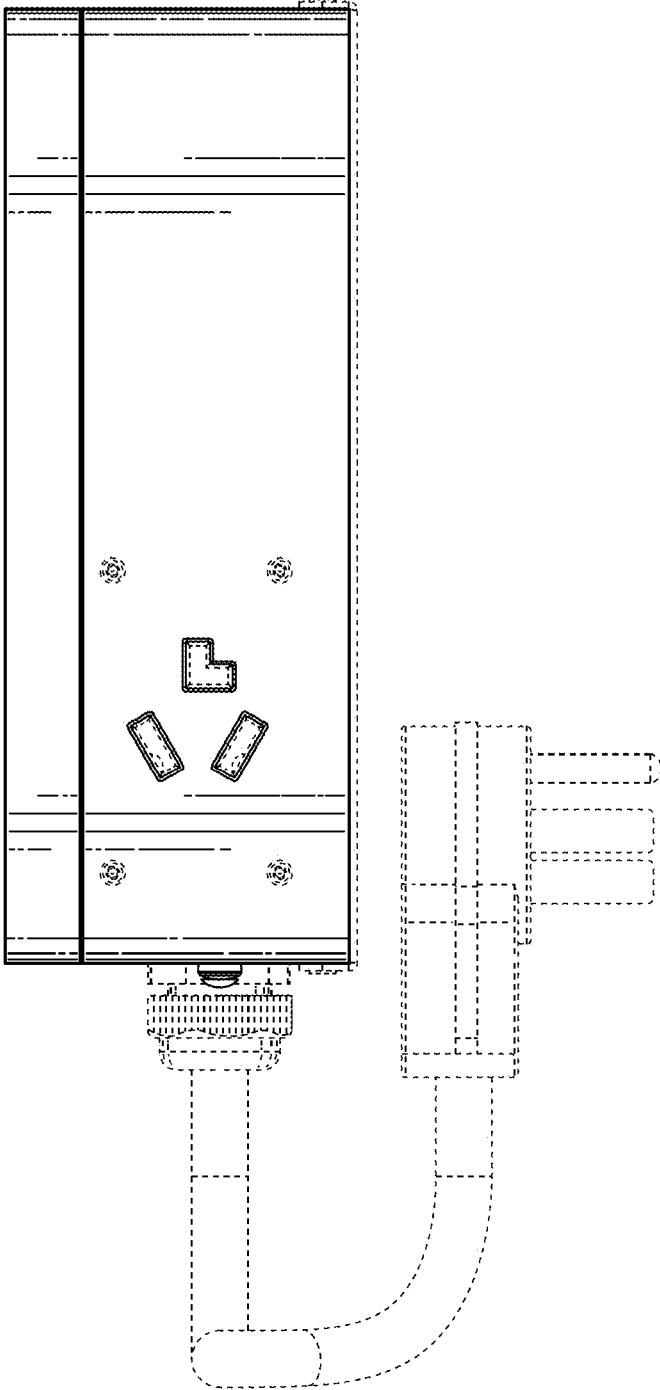


FIG. 5

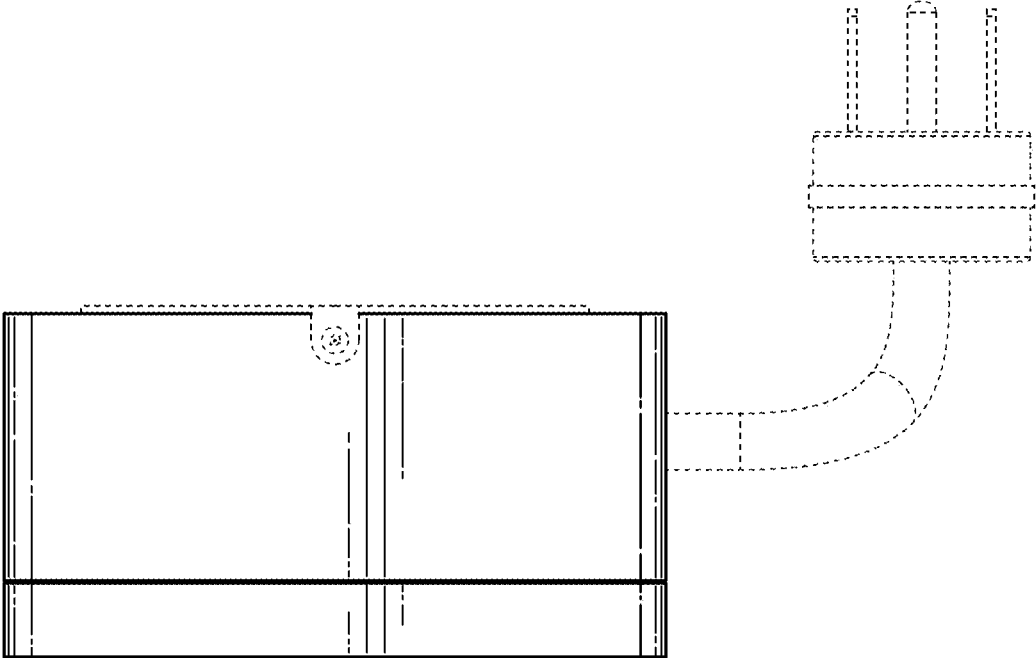


FIG. 6

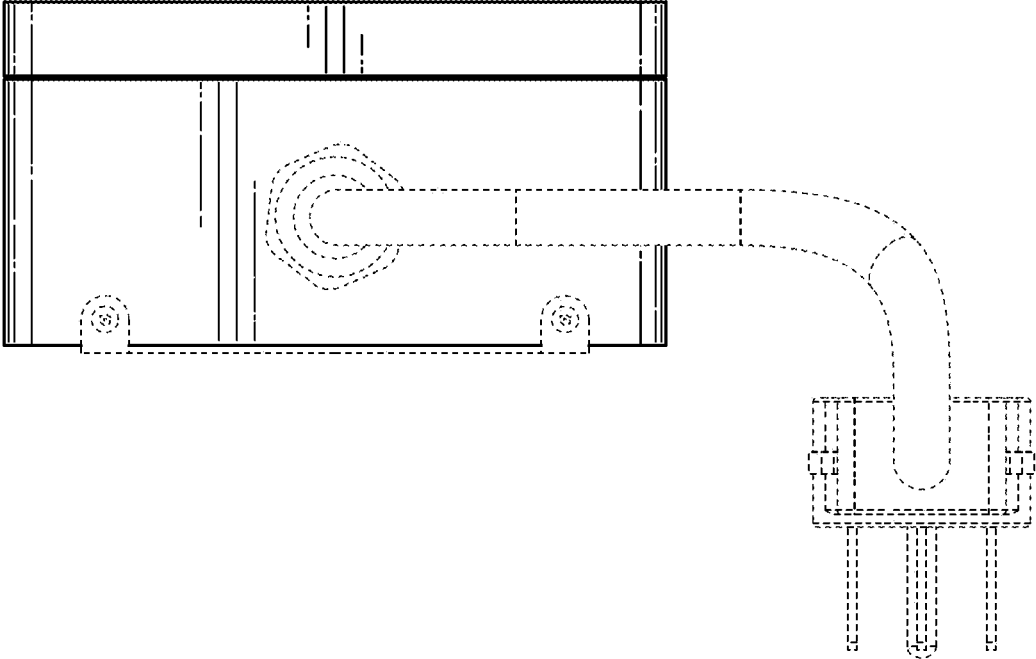


FIG. 7