



US0D1035872S

(12) **United States Design Patent**
Joshi et al.

(10) **Patent No.:** **US D1,035,872 S**
(45) **Date of Patent:** **** Jul. 16, 2024**

- (54) **MICROCATHETER GUIDING DEVICE**
- (71) Applicants: **Shailendra Joshi**, Ho Ho Kus, NJ
(US); **Vidur Joshi**, Ho Ho Kus, NJ
(US)
- (72) Inventors: **Shailendra Joshi**, Ho Ho Kus, NJ
(US); **Vidur Joshi**, Ho Ho Kus, NJ
(US)
- (**) Term: **15 Years**
- (21) Appl. No.: **29/836,850**
- (22) Filed: **Apr. 29, 2022**
- (51) **LOC (14) Cl.** **24-02**
- (52) **U.S. Cl.**
USPC **D24/130**
- (58) **Field of Classification Search**
USPC D24/112-114, 108, 127-130, 133, 186;
606/181, 185; 604/264, 523-528, 272,
604/187, 158, 164.01-164.11, 181, 184,
604/227; 600/101, 139, 143;
128/200.24, 207.14, 207.15
CPC A61B 5/02233; A61B 5/02141; A61B
5/02152; A61B 5/4836; A61B 2562/0247
See application file for complete search history.

D629,891 S *	12/2010	Virr	D24/129
D629,892 S *	12/2010	Hill	D24/129
D652,917 S *	1/2012	Hill	D24/129
D720,452 S *	12/2014	Jordan	D24/130
D722,156 S *	2/2015	Wiegel	D24/112
D739,006 S *	9/2015	Tominaga	D24/108
D741,477 S *	10/2015	Rogers	D24/129
D741,993 S *	10/2015	Tominaga	D24/108
D750,775 S *	3/2016	Carrel	D24/130
D761,422 S *	7/2016	Row	D24/129
D771,247 S *	11/2016	Shinohara	D24/130
D821,574 S *	6/2018	Harding	D24/130
D884,886 S *	5/2020	Kangastupa	D24/129
D948,027 S *	4/2022	Babbage	D24/110
D993,397 S *	7/2023	Park	D24/112
D1,010,112 S *	1/2024	Dadachanji	D24/129
2003/0153895 A1 *	8/2003	Leinsing	A61J 1/2089 604/403
2023/0310824 A1 *	10/2023	Shauver	A61M 39/10 604/500

* cited by examiner

Primary Examiner — Nathan M Johnston
(74) *Attorney, Agent, or Firm* — Gulf Coast Intellectual Property Group

(57) **CLAIM**

The ornamental design for the microcatheter guiding device, as shown and described.

DESCRIPTION

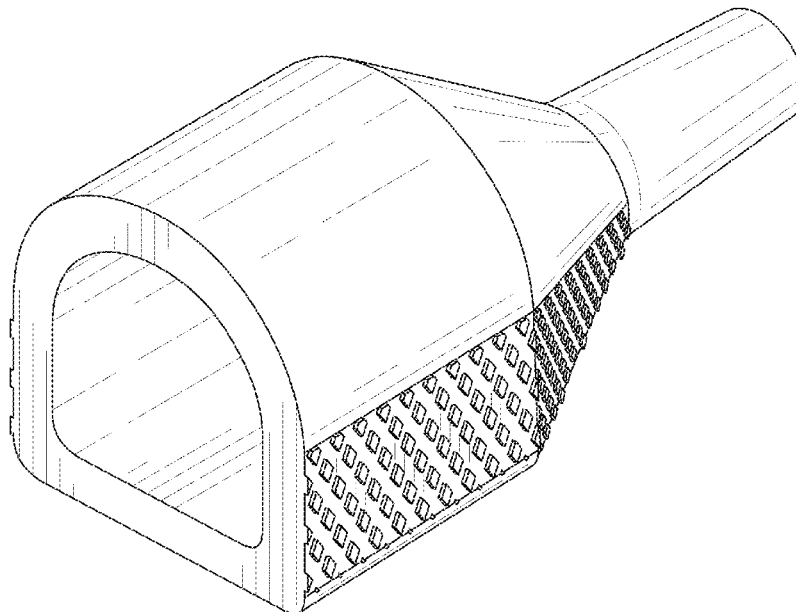
FIG. 1 is a rear perspective view of the microcatheter guiding device of the present invention; and FIG. 2 is a rear view thereof; and FIG. 3 is a front view thereof; and FIG. 4 is a right side view thereof; and FIG. 5 is a left side view thereof; and FIG. 6 is top view thereof; and, FIG. 7 is a bottom view thereof.

1 Claim, 4 Drawing Sheets

(56) **References Cited**

U.S. PATENT DOCUMENTS

D267,199 S *	12/1982	Koenig	D24/129
D363,541 S *	10/1995	Cottone, Sr.	D24/129
D375,788 S *	11/1996	Potts	D24/129
D435,652 S *	12/2000	Nazarifar	D23/262
D472,316 S *	3/2003	Douglas	D24/129
D495,416 S *	8/2004	Dimeo	A61J 1/2096 D24/129
D551,344 S *	9/2007	Santora, Jr.	D24/129
D612,939 S *	3/2010	Boone, III	D24/133



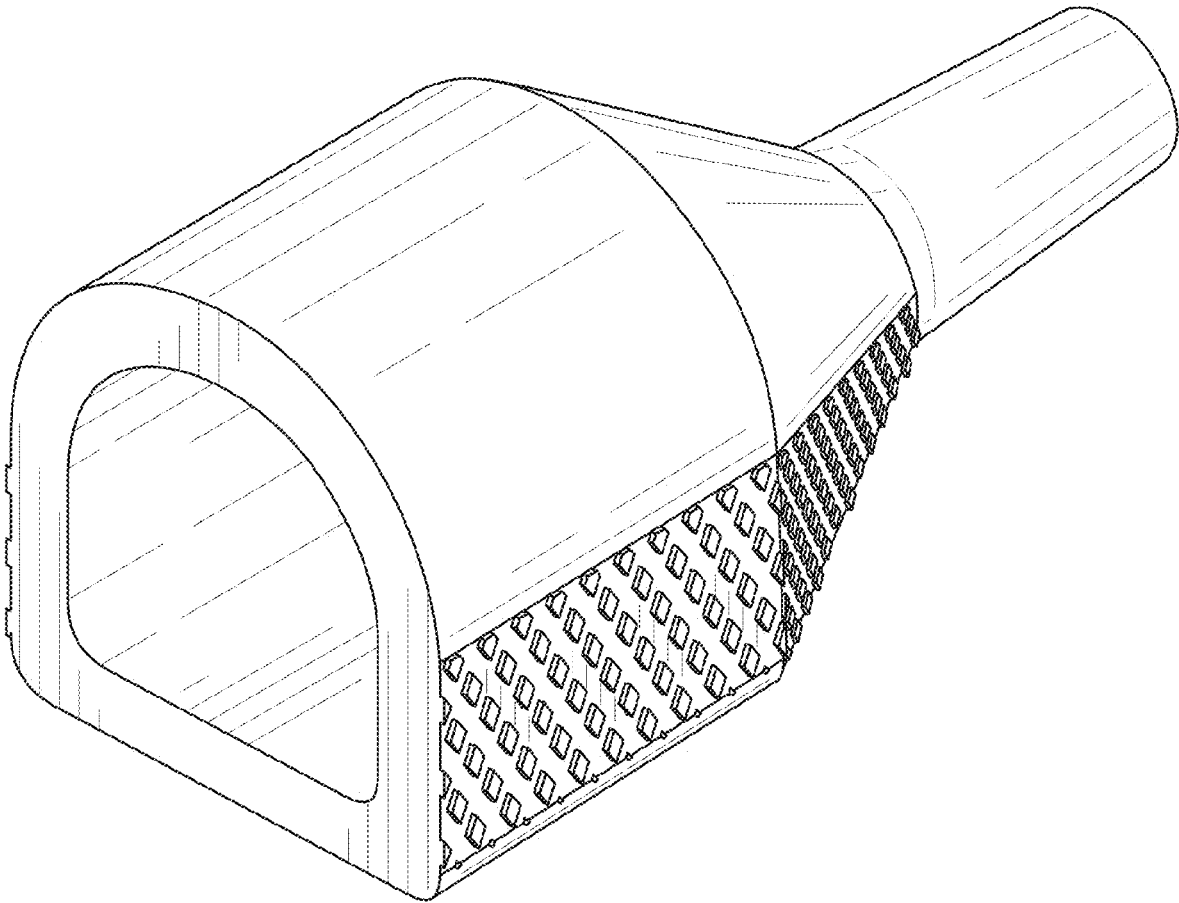


FIG. 1

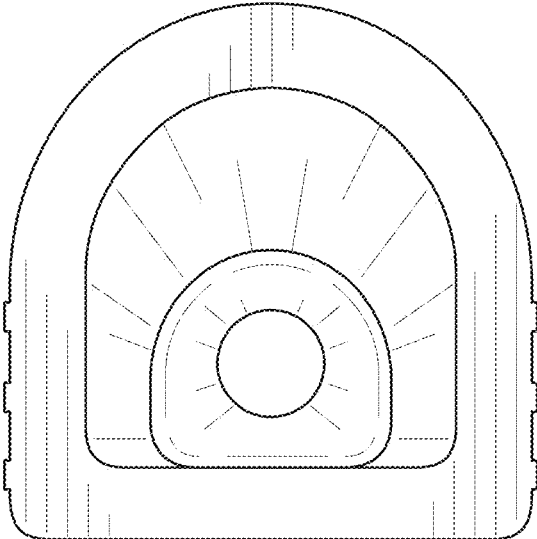


FIG. 2

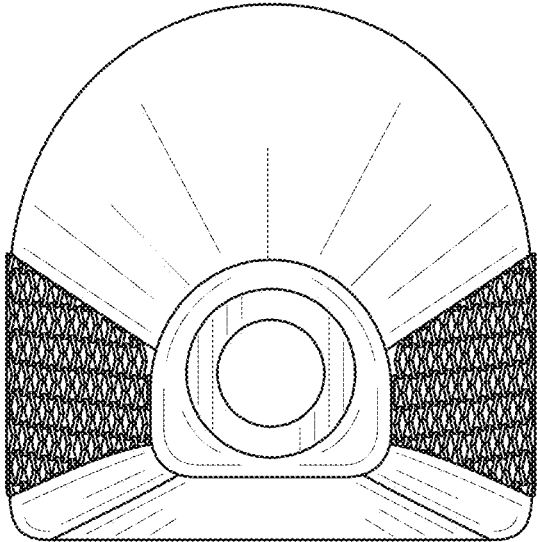


FIG. 3

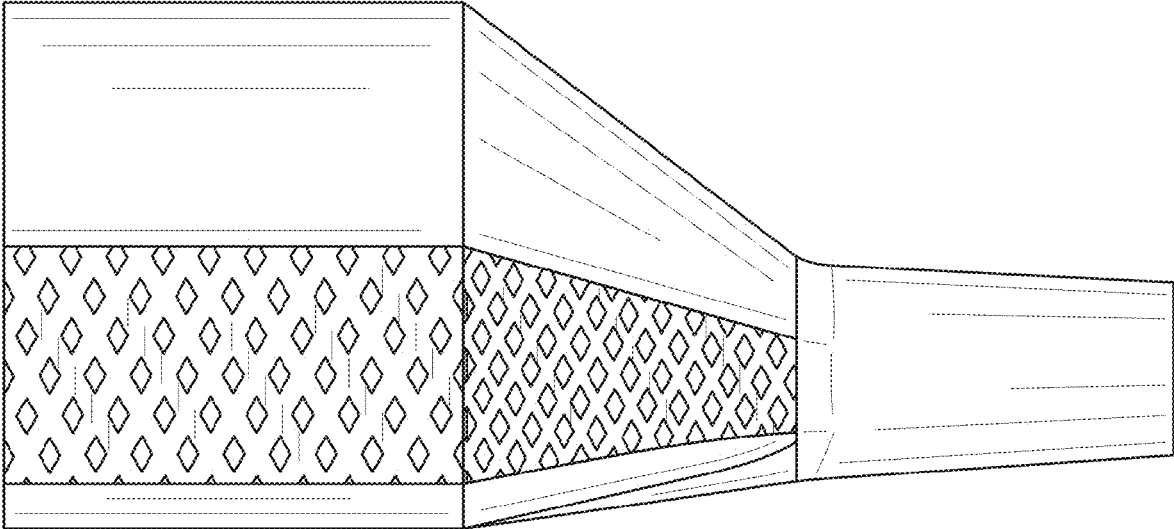


FIG. 4

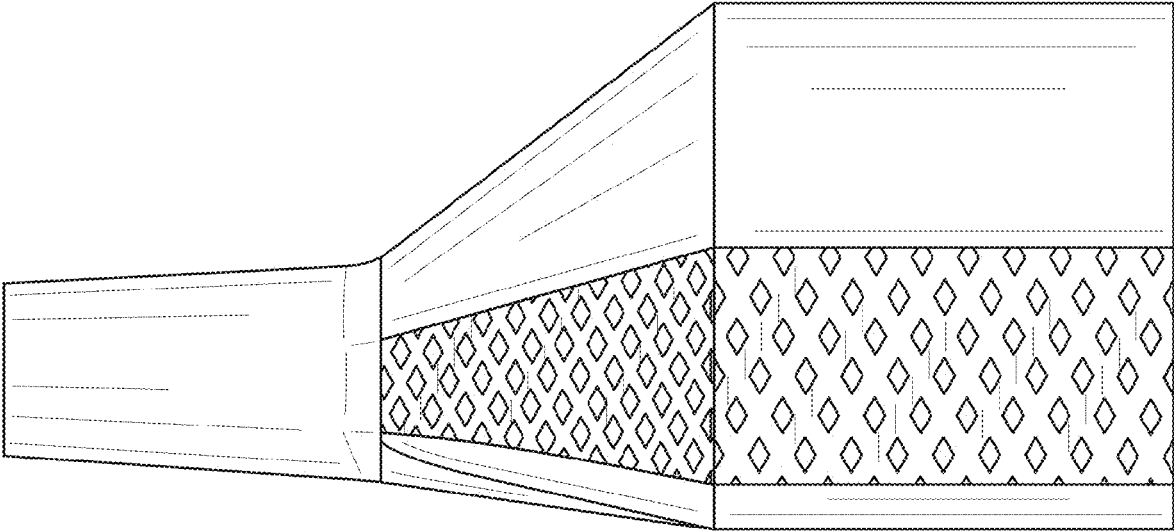


FIG. 5

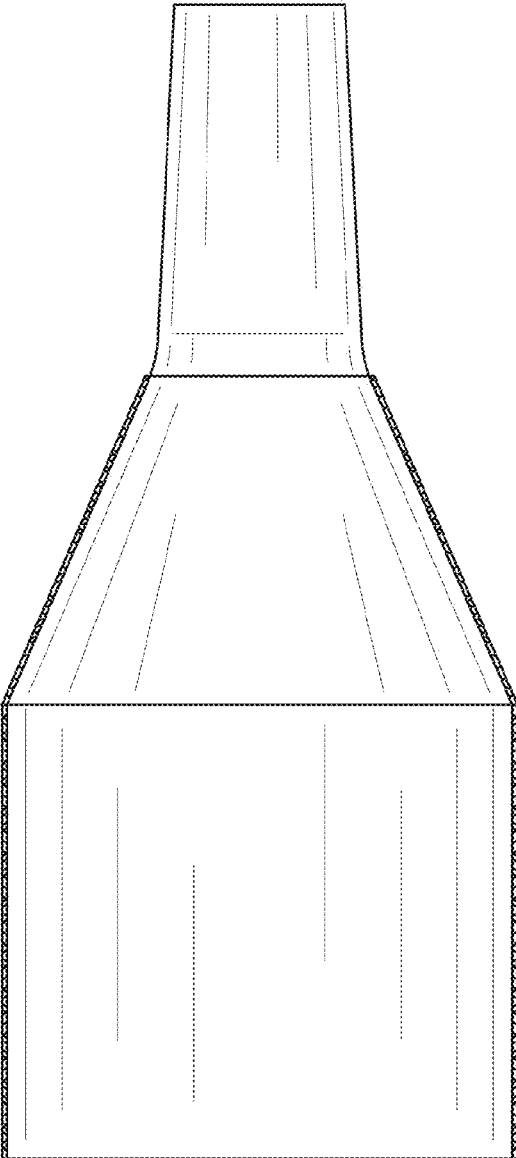


FIG. 6

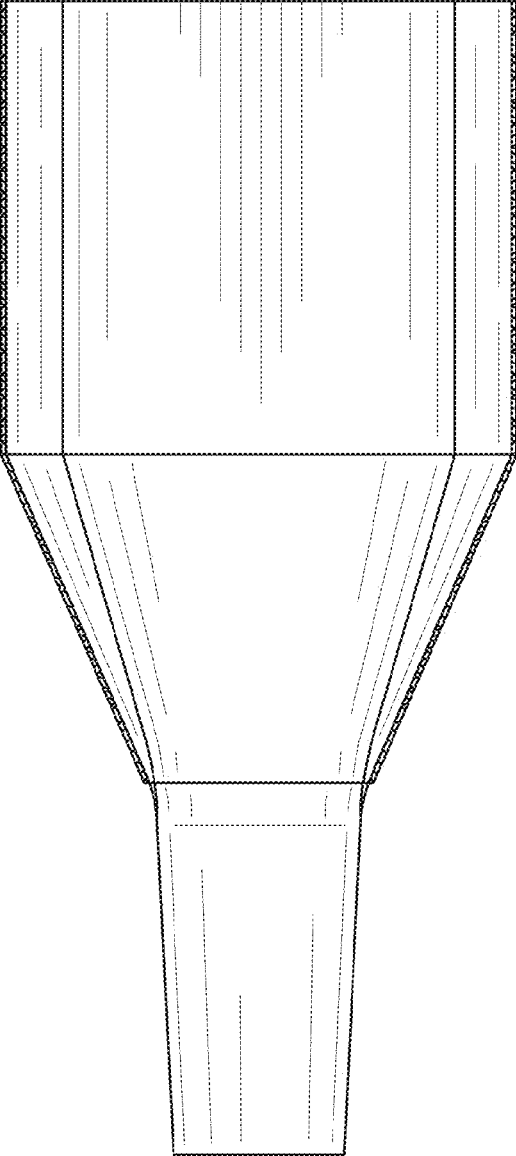


FIG. 7