



US00D792538S

(12) **United States Design Patent**
Oyler

(10) **Patent No.:** **US D792,538 S**

(45) **Date of Patent:** **** *Jul. 18, 2017**

- (54) **GOLF CLUB HEAD**
- (71) Applicant: **Golf Tailor, LLC**, Edmond, OK (US)
- (72) Inventor: **Tim Oyler**, Edmond, OK (US)
- (73) Assignee: **Golf Tailor, LLC**, Edmond, OK (US)
- (*) Notice: This patent is subject to a terminal disclaimer.
- (**) Term: **15 Years**
- (21) Appl. No.: **29/581,781**
- (22) Filed: **Oct. 21, 2016**
- (51) **LOC (10) Cl.** **21-02**
- (52) **U.S. Cl.**
USPC **D21/747**
- (58) **Field of Classification Search**
USPC D21/747-751
CPC A63B 53/00; A63B 53/04; A63B 53/047;
A63B 53/0475; A63B 53/0445; A63B
2053/0479
See application file for complete search history.

D339,183 S * 9/1993 Stites, III D21/748
 5,413,336 A * 5/1995 Iwanaga A63B 53/00
 473/291
 5,447,307 A * 9/1995 Antonious A63B 53/02
 473/350

(Continued)

FOREIGN PATENT DOCUMENTS

CA 2636938 2/2009
 CA 2791280 6/2013

(Continued)

Primary Examiner — Mitchell Siegel

(74) *Attorney, Agent, or Firm* — Caesar Rivise, PC

(57) **CLAIM**

The ornamental design for the golf club head, as shown and described.

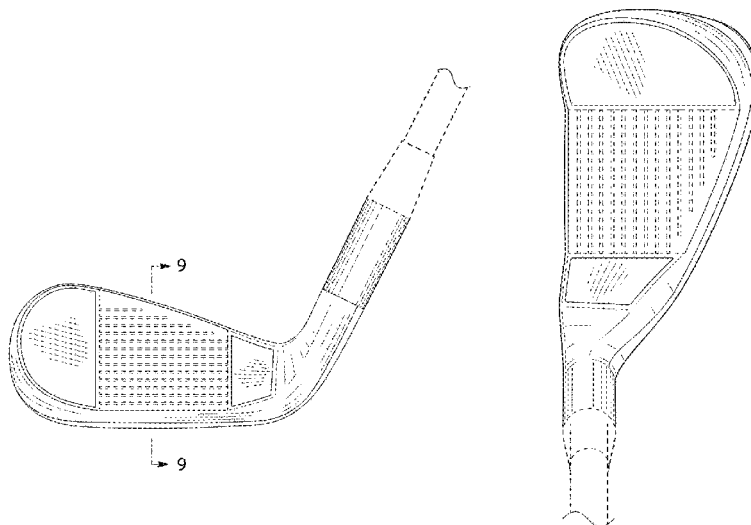
DESCRIPTION

FIG. 1 is a front isometric view of a golf club head showing my new design;
 FIG. 2 is an enlarged top isometric view of the golf club head of FIG. 1;
 FIG. 3 is a rear elevational view of the golf club head of FIG. 2;
 FIG. 4 is a front elevational view of the golf club head of FIG. 2;
 FIG. 5 is a right side elevational view of the golf club head of FIG. 2;
 FIG. 6 is left side elevational view of the golf club head of FIG. 2;
 FIG. 7 is top plan view of the golf club head of FIG. 2;
 FIG. 8 is a bottom plan view of the golf club head of FIG. 2; and,
 FIG. 9 is a cross-sectional view taken on line 9-9 of the golf club head of FIG. 4.
 The features shown in broken lines in the drawing depict portions of the design that form no part of the claimed design.

(56) **References Cited**
U.S. PATENT DOCUMENTS

4,231,576 A * 11/1980 Perkins A63B 69/3632
 473/242
 D271,784 S * 12/1983 Caskey D21/748
 D303,132 S * 8/1989 Muta D21/748
 D327,522 S * 6/1992 Antonious D21/748
 D327,724 S * 7/1992 Antonious D21/748
 D328,482 S * 8/1992 Antonious D21/748
 D328,483 S * 8/1992 Antonious D21/748
 D328,628 S * 8/1992 Antonious D21/748
 D329,676 S * 9/1992 Antonious D21/748
 D329,905 S * 9/1992 Antonious D21/748
 D330,400 S * 10/1992 Antonious D21/748
 5,160,136 A * 11/1992 Eger A63B 53/04
 473/291

1 Claim, 6 Drawing Sheets



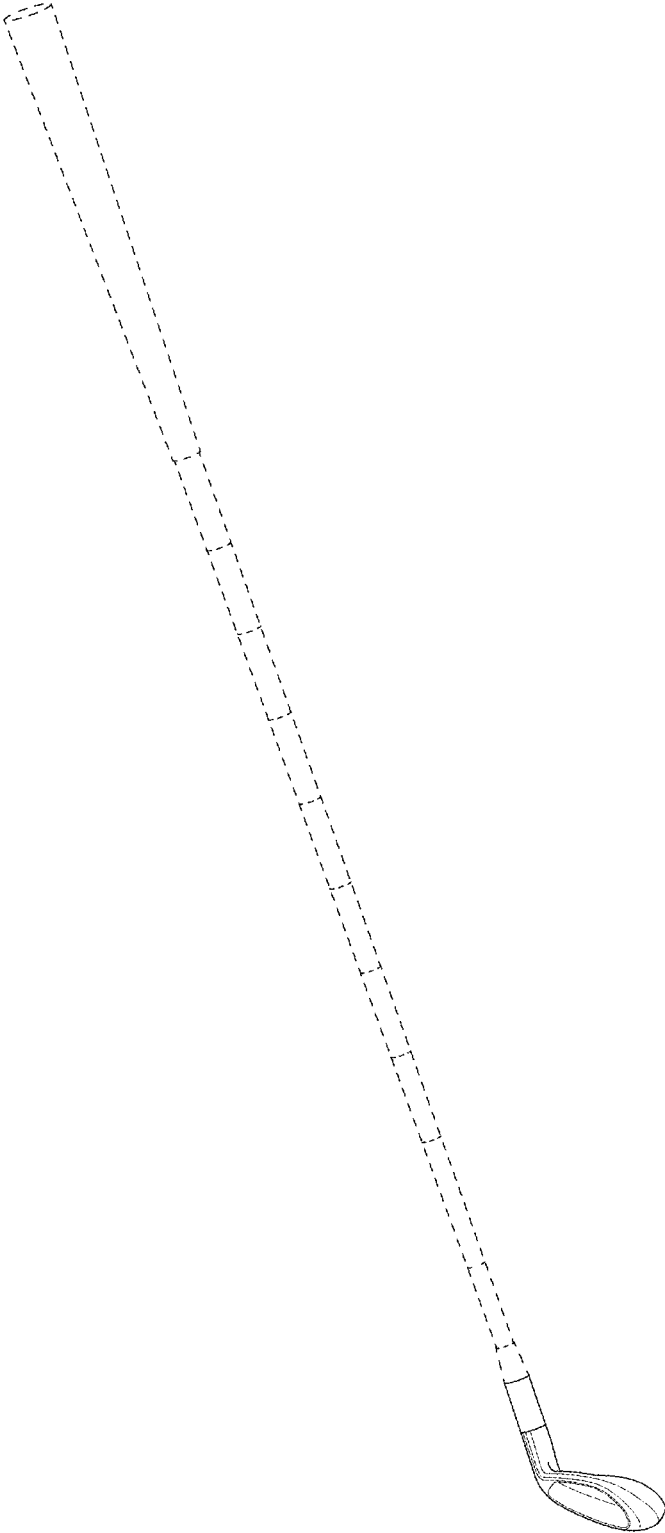


FIG. 1

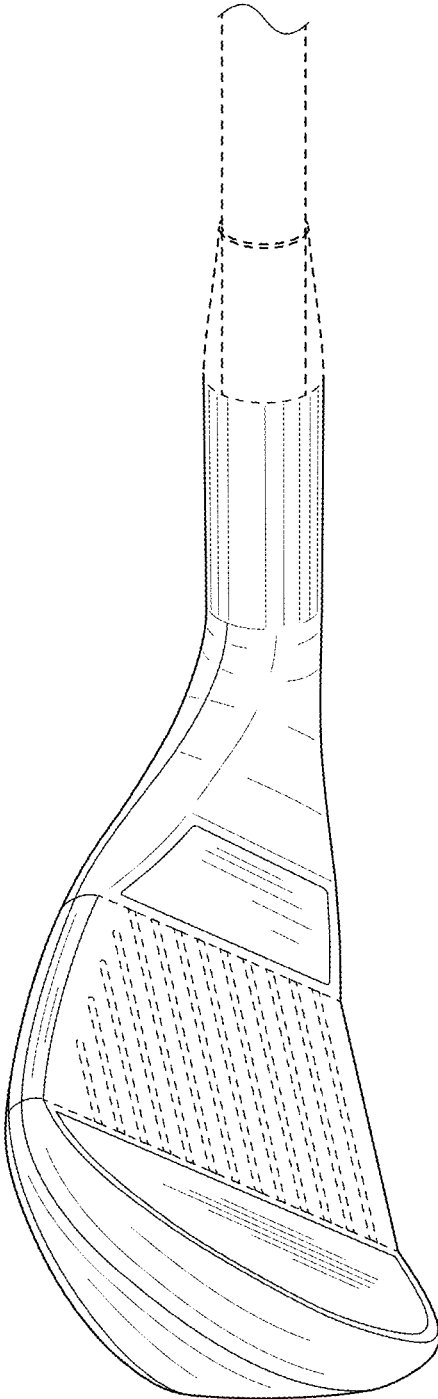


FIG. 2

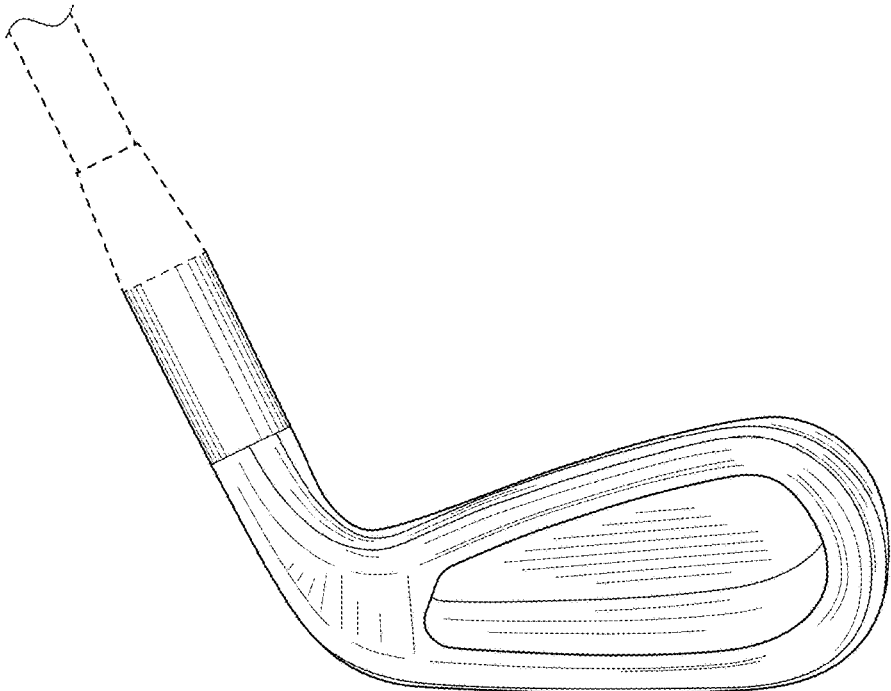


FIG. 3

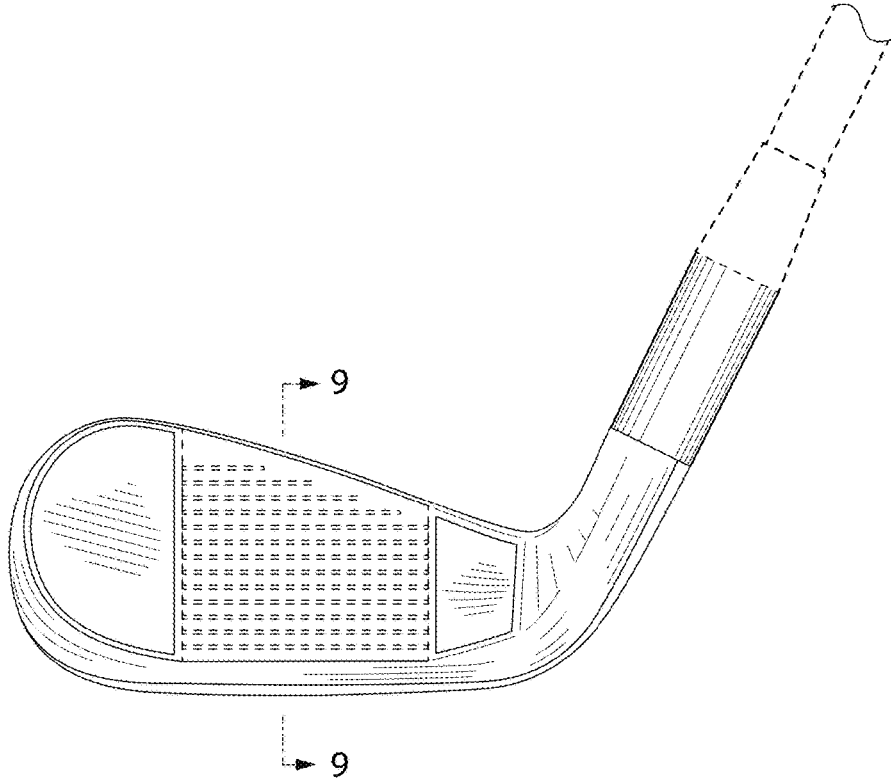


FIG. 4

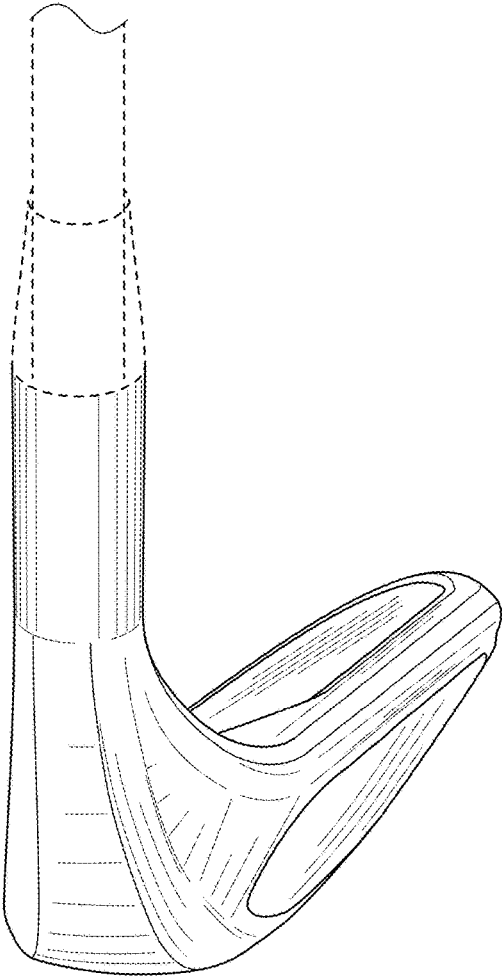


FIG. 5

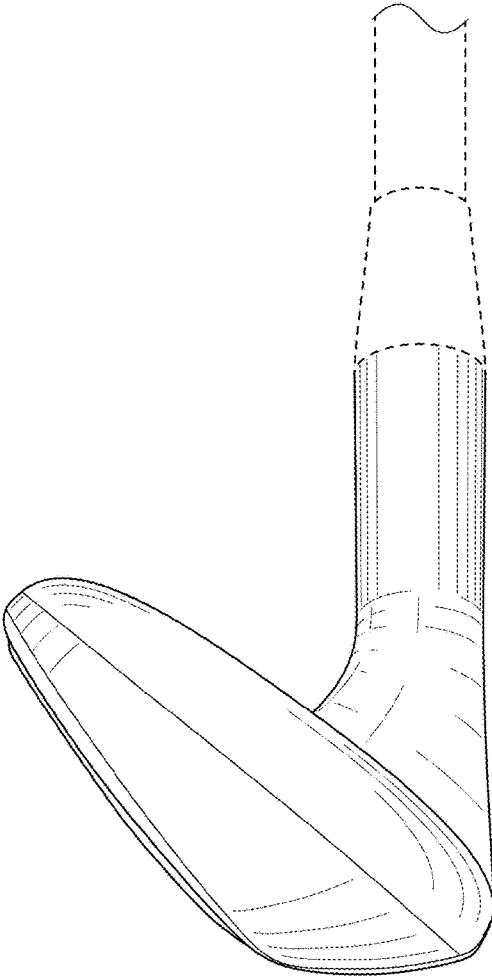


FIG. 6

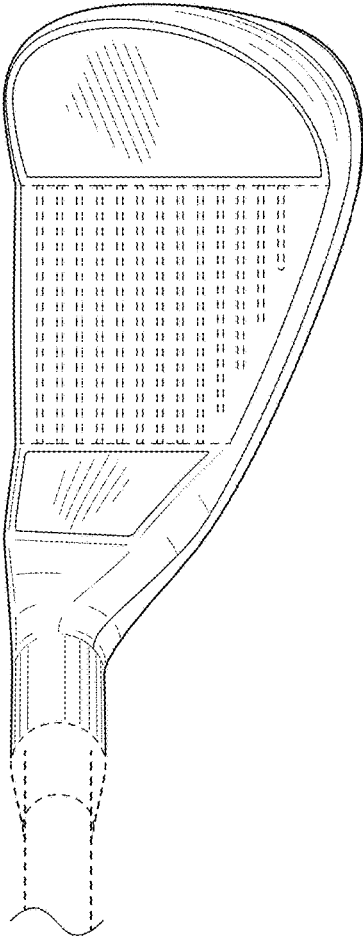


FIG. 7

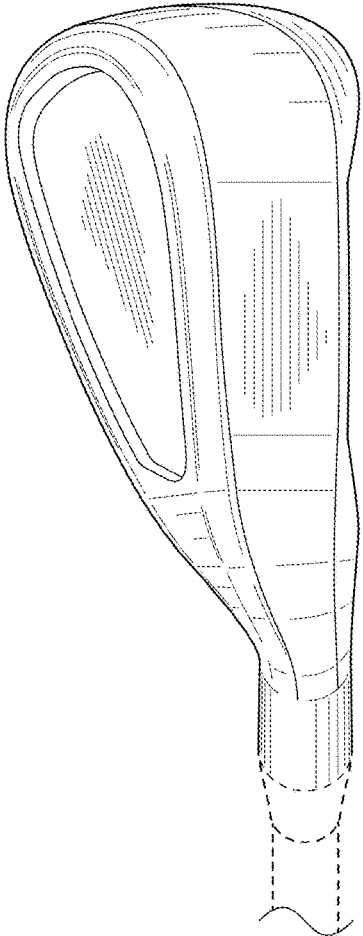


FIG. 8

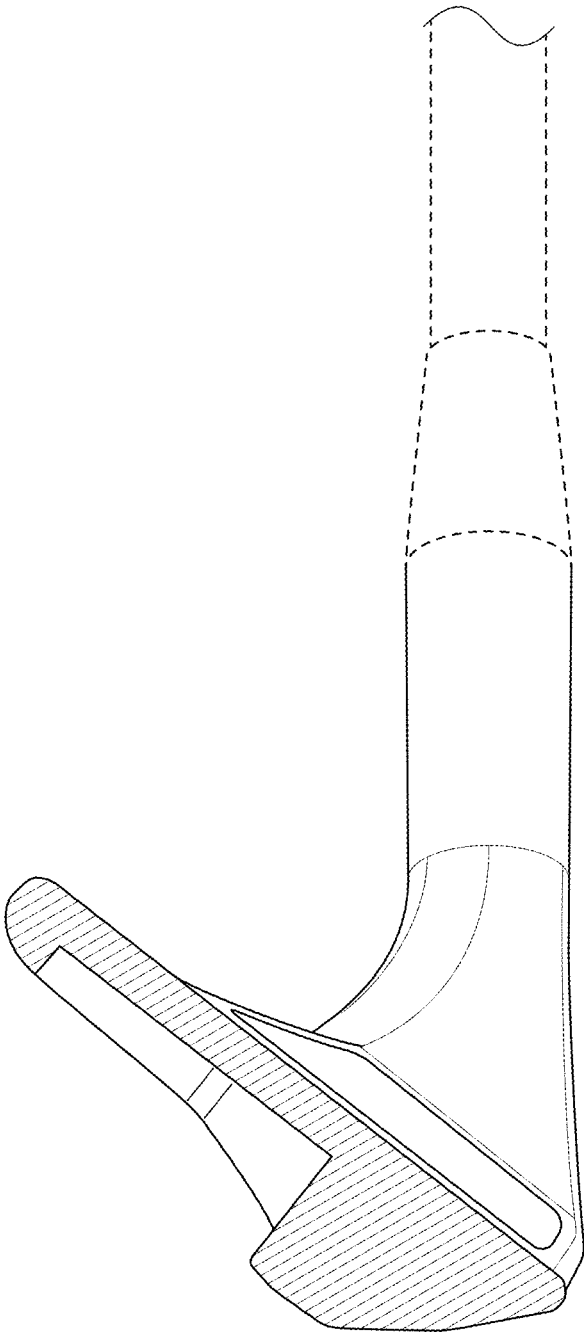


FIG. 9