



US0D1003404S

(12) **United States Design Patent**
Wang et al.

(10) **Patent No.:** **US D1,003,404 S**

(45) **Date of Patent:** **** Oct. 31, 2023**

(54) **FAUCET CONNECTOR**

D516,180 S * 2/2006 Ouyoung D23/249
D560,762 S * 1/2008 Eckhaus D23/249
D643,911 S * 8/2011 Erickson D23/255

(71) Applicant: **Xiamen Water Nymph Sanitary Technology Co., Ltd.**, Xiamen (CN)

(Continued)

(72) Inventors: **Tianming Wang**, Fujian (CN);
Huaqiang Zhou, Fujian (CN); **Zhiwei Zhuo**, Fujian (CN); **Weihai Mu**, Fujian (CN)

OTHER PUBLICATIONS

Xiamen Water Nymph photo, Apr. 15, 2022, Facebook, site visited: Aug. 17, 2023: <https://www.facebook.com/111498627125185/photos/496633398611704/> (Year: 2022).*

(Continued)

(**) Term: **15 Years**

Primary Examiner — Jack Reickel

Assistant Examiner — Bobby W Jones, II

(21) Appl. No.: **35/515,421**

(22) Filed: **Sep. 8, 2022**

(80) **Hague Agreement Data**

Int. Filing Date: **Sep. 8, 2022**
Int. Reg. No.: **DM/224028**
Int. Reg. Date: **Sep. 8, 2022**
Int. Reg. Pub. Date: **Oct. 21, 2022**

(57) **CLAIM**

The ornamental design for a faucet connector, as shown and described.

(30) **Foreign Application Priority Data**

Apr. 2, 2022 (CN) 202230183828.0
Apr. 2, 2022 (CN) 202230183832.7

(51) **LOC (14) Cl.** **23-01**

(52) **U.S. Cl.**
USPC **D23/255**

(58) **Field of Classification Search**
USPC D23/238, 243, 249, 263, 233, 239, 241,
D23/255, 257, 262, 264
CPC F16L 27/023; E03C 1/023; E03C 1/04;
E03C 1/084; E03C 1/086; E03C
2001/0414; B05B 1/1618
See application file for complete search history.

1. Faucet connector
2. Faucet connector
- 1.1: Perspective
- 1.2: Front
- 1.3: Back
- 1.4: Top
- 1.5: Bottom
- 1.6: Left
- 1.7: Right
- 1.8: Perspective with environment
- 2.1: Perspective
- 2.2: Front
- 2.3: Back
- 2.4: Top
- 2.5: Bottom
- 2.6: Left
- 2.7: Right
- 2.8: Perspective with environment

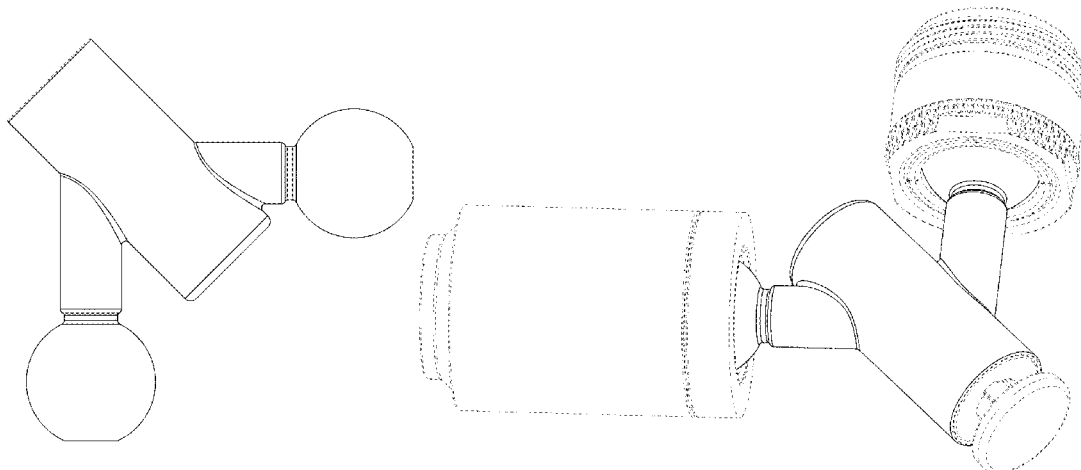
The broken lines in FIGS. 1.8 and 2.8 depict environment and form no part of the claimed design. The other broken

(Continued)

(56) **References Cited**

U.S. PATENT DOCUMENTS

D464,711 S * 10/2002 Warshawsky D23/243
D478,151 S * 8/2003 Ouyoung D23/238



lines in the drawings depict portions of the faucet connector and form no part of the claimed design.

1 Claim, 16 Drawing Sheets

D991,407 S *	7/2023	Zhou	F16K 1/526
				D23/238
2021/0148099 A1 *	5/2021	Zhou	F16K 31/58
2021/0205825 A1 *	7/2021	Zhou	E03C 1/086
2023/0193605 A1 *	6/2023	Shin	B01D 35/04
				4/619

(56)

References Cited

U.S. PATENT DOCUMENTS

D646,359 S *	10/2011	Sieger	D23/238
8,070,076 B2 *	12/2011	Erickson	E03C 1/0404
				239/587.5
D686,706 S *	7/2013	Eilmus	D23/255
10,781,951 B2 *	9/2020	Stoltz	B05B 15/18
10,935,146 B2 *	3/2021	Wu	F16L 41/021
D958,301 S *	7/2022	Mai	D23/255
D965,748 S *	10/2022	Li	D23/255
D966,472 S *	10/2022	Liu	D23/255

OTHER PUBLICATIONS

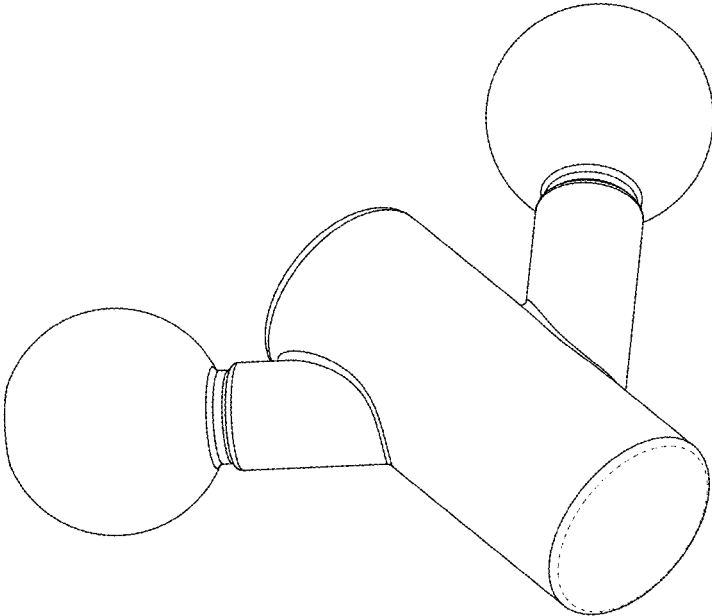
Universal Rotatable Faucet Sprayer, Jul. 17, 2021, Amazon, site visited Aug. 17, 2023: <https://www.amazon.com/dp/B099PGNFW4/> (Year: 2021).*

Faucet Extender Rotatable Faucet Sprayer, May 30, 2022, Amazon, site visited Aug. 17, 2023: <https://www.amazon.ca/dp/B0B2P6D4BS/> (Year: 2022).*

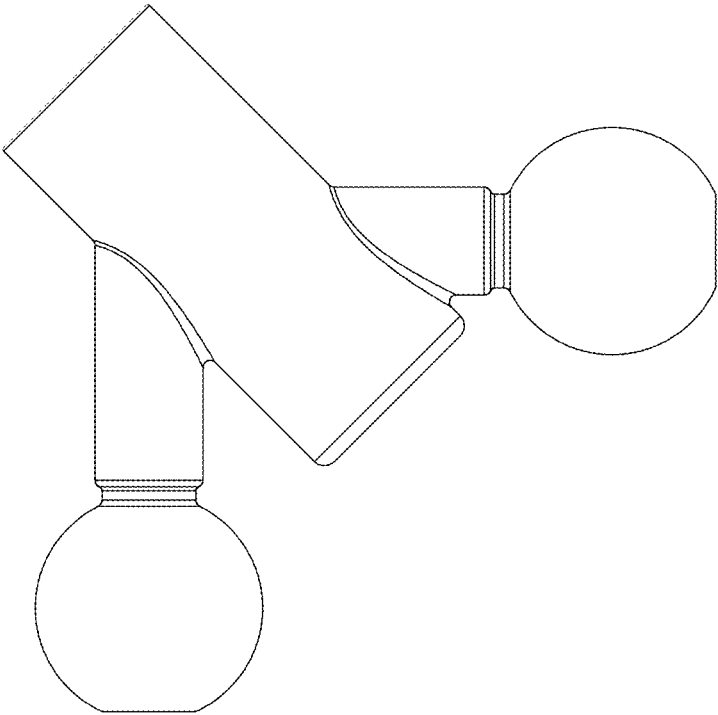
Hibbert Swivel Kitchen Sink Sprayer, Sep. 10, 2019, Amazon, site visited Aug. 17, 2023: <https://www.amazon.com/dp/B07WDH8CD8/> (Year: 2019).*

* cited by examiner

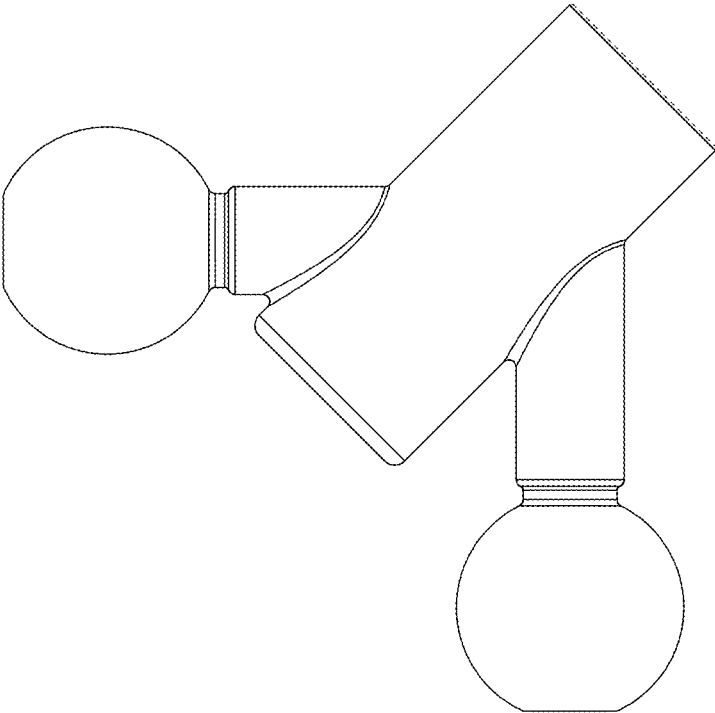
1.1



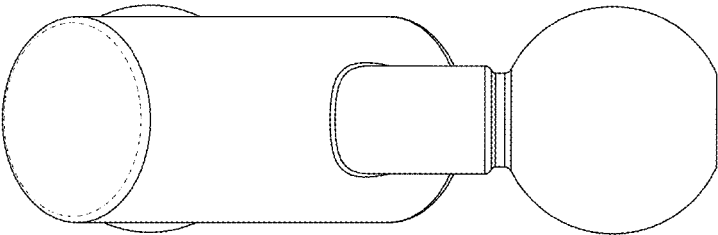
1.2



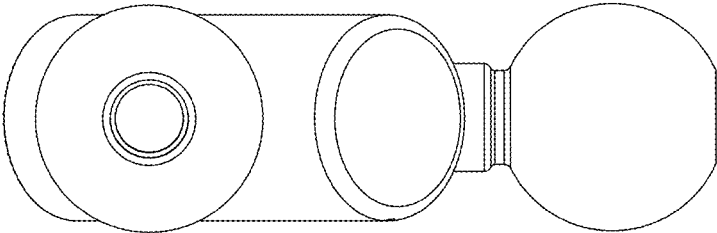
1.3



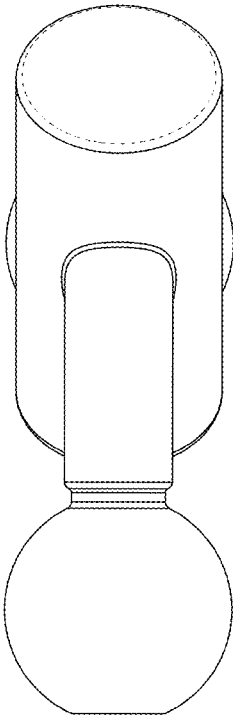
1,4



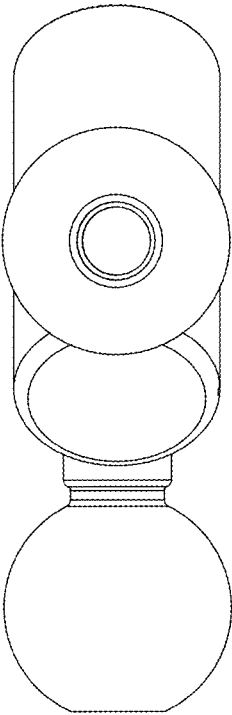
1.5



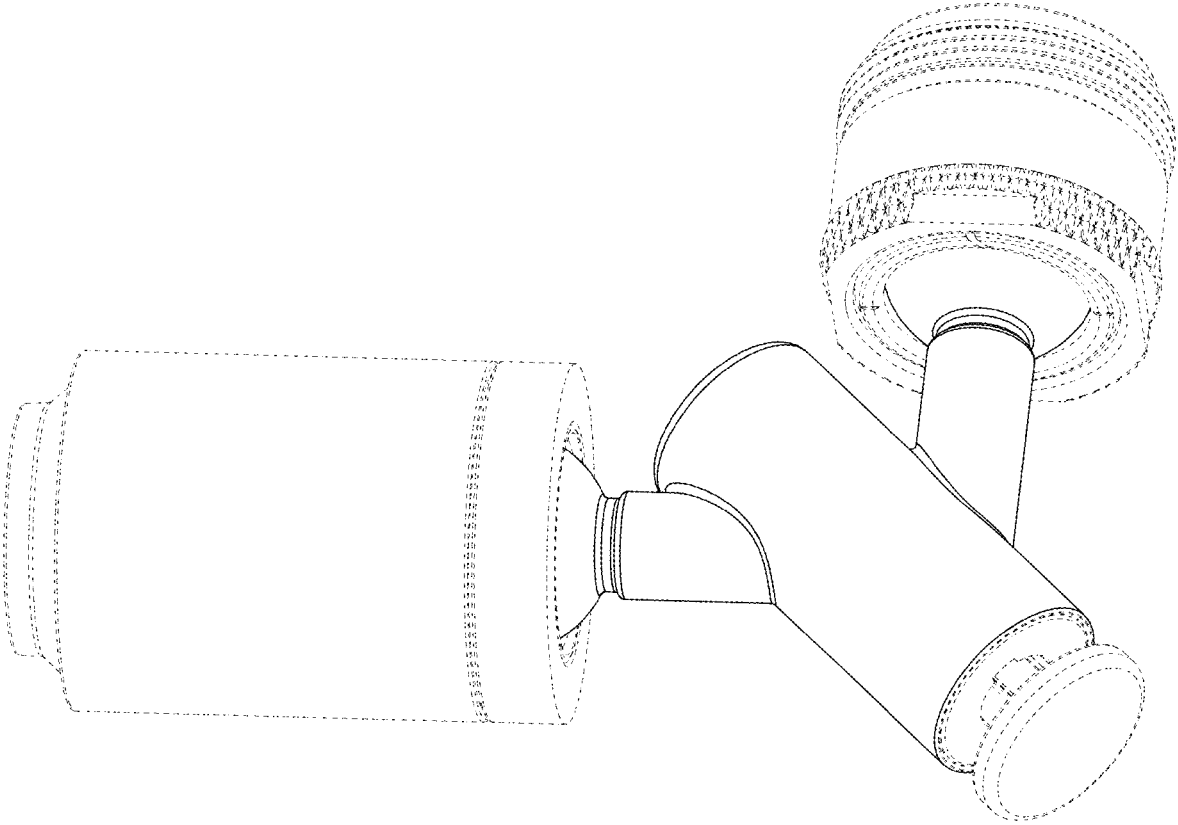
1.6



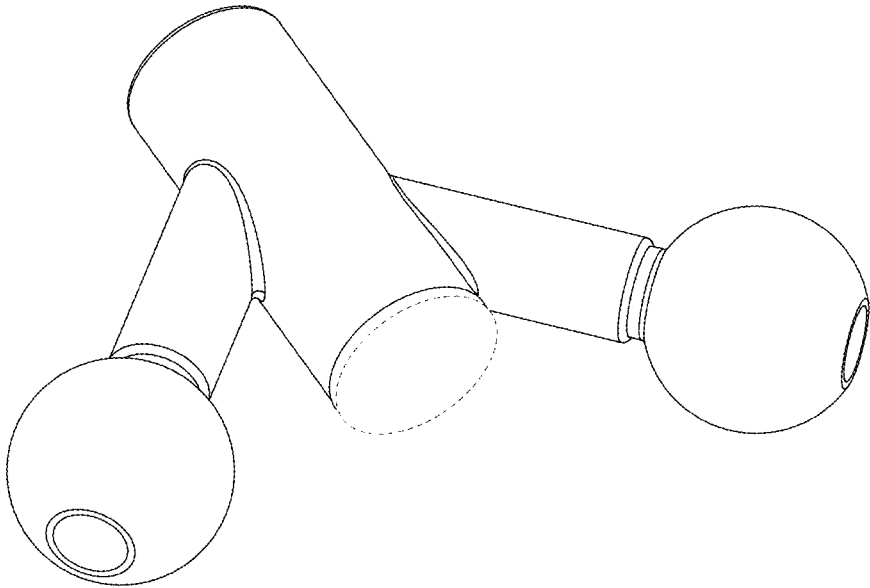
1.7



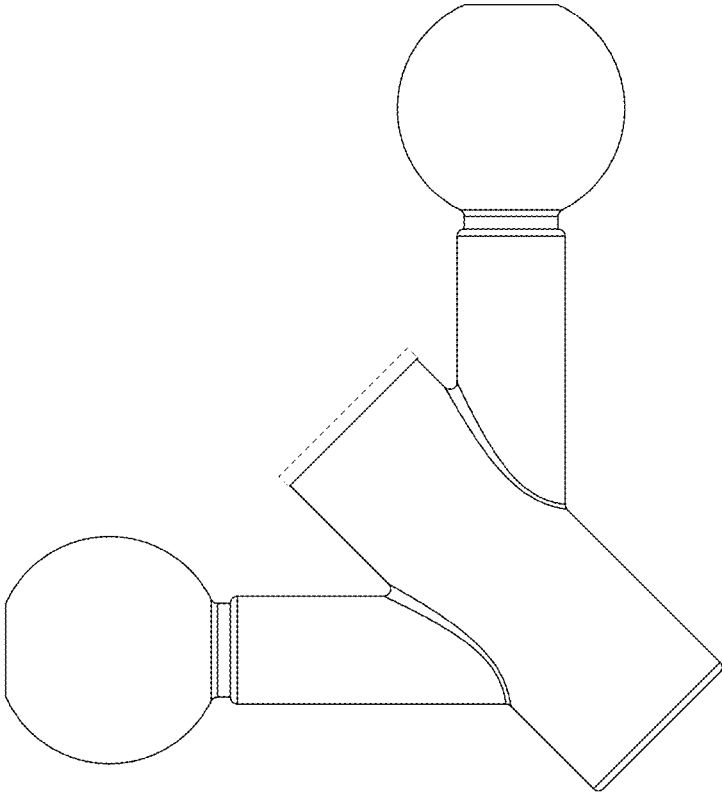
1.8



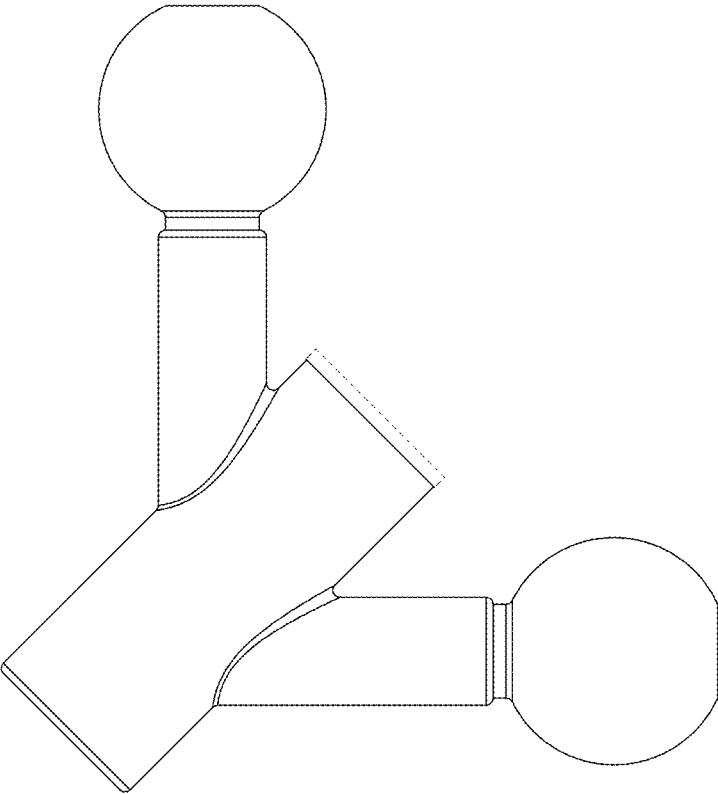
2.1



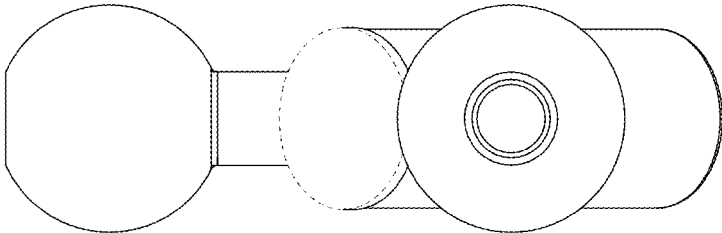
2.2



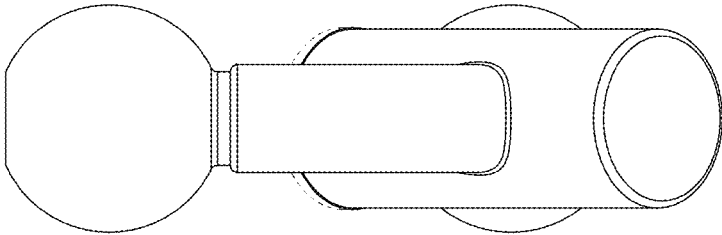
2.3



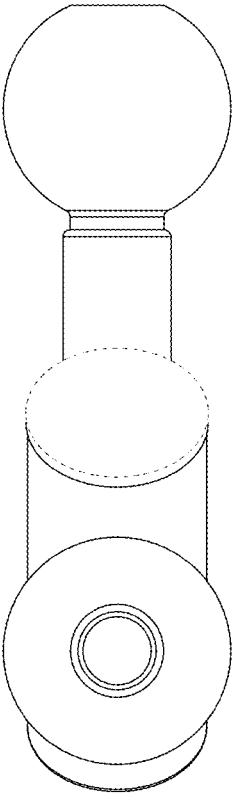
2.4



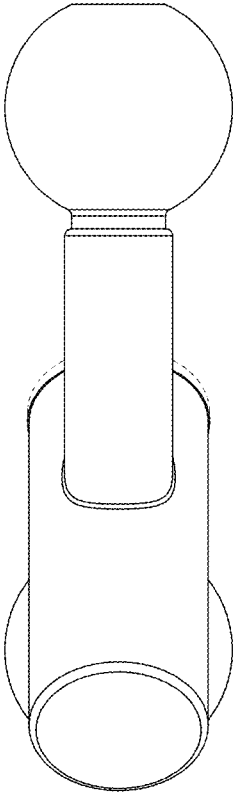
2.5



2.6



2.7



2.8

