

(19) World Intellectual Property Organization
International Bureau



(43) International Publication Date
8 April 2004 (08.04.2004)

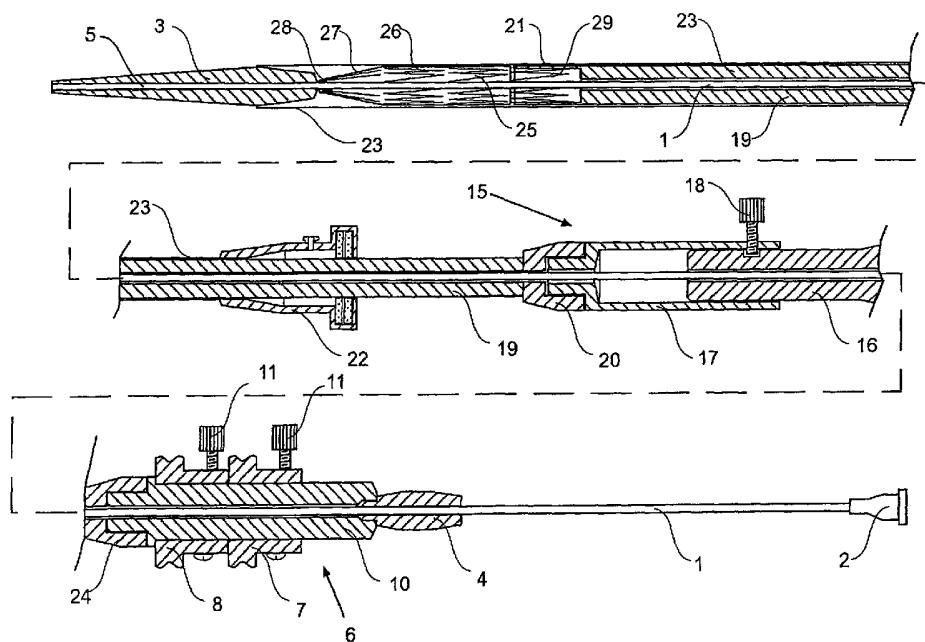
PCT

(10) International Publication Number
WO 2004/028399 A3

- (51) International Patent Classification⁷: **A61F 2/06** Anthony; 117-21 Kingfisher Road, Greenbank, Queensland 4113 (AU).
- (21) International Application Number: PCT/US2003/020496 (74) Agent: **GODLEWSKI, Richard, J.**; P.O. Box 2269, Bloomington, IN 47402-2269 (US).
- (22) International Filing Date: 30 June 2003 (30.06.2003) (81) Designated States (national): AE, AG, AL, AM, AT, AU, AZ, BA, BB, BG, BR, BY, BZ, CA, CH, CN, CO, CR, CU, CZ, DE, DK, DM, DZ, EC, EE, ES, FI, GB, GD, GE, GH, GM, HR, HU, ID, IL, IN, IS, JP, KE, KG, KP, KR, KZ, LC, LK, LR, LS, LT, LU, LV, MA, MD, MG, MK, MN, MW, MX, MZ, NI, NO, NZ, OM, PH, PL, PT, RO, RU, SC, SD, SE, SG, SK, SL, TJ, TM, TN, TR, TT, TZ, UA, UG, UZ, VC, VN, YU, ZA, ZM, ZW.
- (25) Filing Language: English
- (26) Publication Language: English
- (30) Priority Data: 60/392,667 28 June 2002 (28.06.2002) US (84) Designated States (regional): ARIPO patent (GH, GM, KE, LS, MW, MZ, SD, SL, SZ, TZ, UG, ZM, ZW), Eurasian patent (AM, AZ, BY, KG, KZ, MD, RU, TJ, TM), European patent (AT, BE, BG, CH, CY, CZ, DE, DK, EE, ES, FI, FR, GB, GR, HU, IE, IT, LU, MC, NL, PT, RO, SE, SI, SK, TR), OAPI patent (BF, BJ, CF, CG, CI, CM, GA, GN, GQ, GW, ML, MR, NE, SN, TD, TG).
- (71) Applicants: **COOK INCORPORATED** [US/US]; 750 North Daniel's Way, P.O. Box 489, Bloomington, IN 47402-0489 (US). **WILLIAM A. COOK AUSTRALIA PTY. LTD.** [AU/AU]; 12 Electronics Street, Brisbane Technology Park, Eight Mile Plains, Brisbane, QLD 4113 (AU). **WILLIAM COOK EUROPE ApS** [DK/DK]; Sandet 6, DK-4632 Bjaeverskov (DK).
- (72) Inventors: **HARTLEY, David, Ernest**; 2 View Street, Subiaco, Western Australia 6008 (AU). **HUFFER, Leigh**, Published: — with international search report

[Continued on next page]

(54) Title: THORACIC DEPLOYMENT DEVICE



(57) Abstract: A stent graft deployment device adapted for release of a distal end (29) of a stent graft (25) before the proximal end (27) of the stent graft (25). The arrangement (15) allows movement of at least part of the deployment catheter (23) independently of movement of a proximal end release mechanism has a fixed handle (16) associated with a trigger wire release mechanism (6) and a sliding handle (17) to which the deployment catheter and a capsule (21) are fixed. The sliding handle (17) is mounted on the fixed handle (16) and can slide longitudinally with respect to the fixed handle (16).

WO 2004/028399 A3



— *before the expiration of the time limit for amending the claims and to be republished in the event of receipt of amendments*

For two-letter codes and other abbreviations, refer to the "Guidance Notes on Codes and Abbreviations" appearing at the beginning of each regular issue of the PCT Gazette.

(88) Date of publication of the international search report:
19 August 2004

INTERNATIONAL SEARCH REPORT

In national Application No
PCT/US 03/20496

A. CLASSIFICATION OF SUBJECT MATTER IPC 7 A61F2/06		
According to International Patent Classification (IPC) or to both national classification and IPC		
B. FIELDS SEARCHED		
Minimum documentation searched (classification system followed by classification symbols) IPC 7 A61F		
Documentation searched other than minimum documentation to the extent that such documents are included in the fields searched		
Electronic data base consulted during the international search (name of data base and, where practical, search terms used) EPO-Internal		
C. DOCUMENTS CONSIDERED TO BE RELEVANT		
Category °	Citation of document, with indication, where appropriate, of the relevant passages	Relevant to claim No.
X	DE 299 19 625 U (LINDENBERG HELMUT) 5 January 2000 (2000-01-05)	1,6
A	figures 1-4	15-17
X	US 5 415 664 A (PINCHUK LEONARD) 16 May 1995 (1995-05-16) column 3, line 16-63; figures 11,11A,11B	1
P,X	WO 03/101346 A (COOK WILLIAM A AUSTRALIA ;COOK INC (US)) 11 December 2003 (2003-12-11)	1-4,6-10
A	the whole document	15-28
P,X	WO 03/071987 A (SCIMED LIFE SYSTEMS INC) 4 September 2003 (2003-09-04) figure 2B	1,2
	-/--	
<input checked="" type="checkbox"/> Further documents are listed in the continuation of box C. <input checked="" type="checkbox"/> Patent family members are listed in annex.		
° Special categories of cited documents :		
A document defining the general state of the art which is not considered to be of particular relevance *E* earlier document but published on or after the international filing date *L* document which may throw doubts on priority claim(s) or which is cited to establish the publication date of another citation or other special reason (as specified) *O* document referring to an oral disclosure, use, exhibition or other means *P* document published prior to the international filing date but later than the priority date claimed		*T* later document published after the international filing date or priority date and not in conflict with the application but cited to understand the principle or theory underlying the invention *X* document of particular relevance; the claimed invention cannot be considered novel or cannot be considered to involve an inventive step when the document is taken alone *Y* document of particular relevance; the claimed invention cannot be considered to involve an inventive step when the document is combined with one or more other such documents, such combination being obvious to a person skilled in the art. *&* document member of the same patent family
Date of the actual completion of the international search <p style="text-align: center;">8 June 2004</p>		Date of mailing of the international search report <p style="text-align: center;">17. 06. 2004</p>
Name and mailing address of the ISA European Patent Office, P.B. 5818 Patentlaan 2 NL - 2280 HV Rijswijk Tel. (+31-70) 340-2040, Tx. 31 651 epo nl, Fax: (+31-70) 340-3016		Authorized officer <p style="text-align: center;">Newman, B</p>

INTERNATIONAL SEARCH REPORT

Int	Application No
	PCT/US 03/20496

C.(Continuation) DOCUMENTS CONSIDERED TO BE RELEVANT		
Category °	Citation of document, with indication, where appropriate, of the relevant passages	Relevant to claim No.
Y	WO 98/53761 A (HARTLEY DAVID ;COOK WILLIAM A AUSTRALIA (AU); LAWRENCE BROWN MICHA) 3 December 1998 (1998-12-03)	21,27,28
A	the whole document	1-14
X	US 6 346 118 B1 (BAKER STEVE G ET AL) 12 February 2002 (2002-02-12)	15-20,22
Y	the whole document	21,27,28
X	EP 0 637 454 A (ENDOVASCULAR TECH INC) 8 February 1995 (1995-02-08)	15-17
X	US 6 355 060 B1 (GLYNN BRIAN ET AL) 12 March 2002 (2002-03-12) column 3, line 48 -column 4, line 23; figures 2-10 column 7, line 23 - line 45	15,16,23

INTERNATIONAL SEARCH REPORT

national application No.
PCT/US 03/20496

Box I Observations where certain claims were found unsearchable (Continuation of item 1 of first sheet)

This International Search Report has not been established in respect of certain claims under Article 17(2)(a) for the following reasons:

1. Claims Nos.:
because they relate to subject matter not required to be searched by this Authority, namely: -

2. Claims Nos.:
because they relate to parts of the International Application that do not comply with the prescribed requirements to such an extent that no meaningful International Search can be carried out, specifically:

3. Claims Nos.:
because they are dependent claims and are not drafted in accordance with the second and third sentences of Rule 6.4(a).

Box II Observations where unity of invention is lacking (Continuation of item 2 of first sheet)

This International Searching Authority found multiple inventions in this international application, as follows:

see additional sheet

1. As all required additional search fees were timely paid by the applicant, this International Search Report covers all searchable claims.

2. As all searchable claims could be searched without effort justifying an additional fee, this Authority did not invite payment of any additional fee.

3. As only some of the required additional search fees were timely paid by the applicant, this International Search Report covers only those claims for which fees were paid, specifically claims Nos.:

4. No required additional search fees were timely paid by the applicant. Consequently, this International Search Report is restricted to the invention first mentioned in the claims; it is covered by claims Nos.:

Remark on Protest

- The additional search fees were accompanied by the applicant's protest.
- No protest accompanied the payment of additional search fees.

FURTHER INFORMATION CONTINUED FROM PCT/ISA/ 210

This International Searching Authority found multiple (groups of) inventions in this international application, as follows:

1. Claims: 1 - 14

A deployment device for a stent. The device is arranged to release a distal end of the stent before a proximal end. There is a release mechanism on the catheter associated with each end of the stent. Part of the catheter including the distal release mechanism can be moved independently of the proximal end release mechanism.

2. Claims: 15 - 28

A deployment catheter for a stent comprising:
a proximal and distal end, a sheath, a nose cone dilator, a distal retention arrangement for the stent, a sliding and a fixed handle.

INTERNATIONAL SEARCH REPORT

 International Application No
 PCT/US 03/20496

Patent document cited in search report		Publication date	Patent family member(s)	Publication date
DE 29919625	U	05-01-2000	DE 29919625 U1	05-01-2000
US 5415664	A	16-05-1995	AT 210479 T	15-12-2001
			CA 2185886 A1	12-10-1995
			DE 69524584 D1	24-01-2002
			DE 69524584 T2	18-07-2002
			DK 752896 T3	11-03-2002
			EP 0752896 A1	15-01-1997
			ES 2169755 T3	16-07-2002
			JP 3184735 B2	09-07-2001
			JP 8299455 A	19-11-1996
			PT 752896 T	28-06-2002
			WO 9526775 A1	12-10-1995
WO 03101346	A	11-12-2003	WO 03101518 A1	11-12-2003
			WO 03101346 A1	11-12-2003
			US 2003225446 A1	04-12-2003
			US 2003233140 A1	18-12-2003
WO 03071987	A	04-09-2003	US 2003163189 A1	28-08-2003
			WO 03071987 A1	04-09-2003
WO 9853761	A	03-12-1998	AU 736368 B2	26-07-2001
			AU 7513298 A	30-12-1998
			WO 9853761 A1	03-12-1998
			CA 2283782 A1	03-12-1998
			EP 1014888 A1	05-07-2000
			JP 2001526574 T	18-12-2001
US 6346118	B1	12-02-2002	US 5693083 A	02-12-1997
			US 2002091439 A1	11-07-2002
			AU 704204 B2	15-04-1999
			AU 4684796 A	03-07-1996
			CA 2207596 A1	20-06-1996
			EP 0797415 A1	01-10-1997
			JP 2002503114 T	29-01-2002
			WO 9618361 A1	20-06-1996
			AT 186223 T	15-11-1999
			AU 671910 B2	12-09-1996
			AU 6474794 A	16-03-1995
			AU 697083 B2	24-09-1998
			AU 7425396 A	13-02-1997
			AU 9816898 A	09-09-1999
			CA 2125258 A1	06-02-1995
			CA 2241034 A1	06-02-1995
			CA 2300743 A1	06-02-1995
			DE 69421466 D1	09-12-1999
			DE 69421466 T2	10-02-2000
			EP 0637454 A1	08-02-1995
			EP 0945152 A1	29-09-1999
			JP 7059802 A	07-03-1995
			US 6210434 B1	03-04-2001
			US 2003158597 A1	21-08-2003
			US 5749920 A	12-05-1998
			US 6540778 B1	01-04-2003
			US 5782909 A	21-07-1998
			US 5957973 A	28-09-1999

INTERNATIONAL SEARCH REPORT

Int	nal Application No
PCT/US 03/20496	

Patent document cited in search report		Publication date	Patent family member(s)	Publication date
EP 0637454	A	08-02-1995	AT 186223 T	15-11-1999
			AU 671910 B2	12-09-1996
			AU 6474794 A	16-03-1995
			AU 697083 B2	24-09-1998
			AU 7425396 A	13-02-1997
			AU 9816898 A	09-09-1999
			CA 2125258 A1	06-02-1995
			CA 2241034 A1	06-02-1995
			CA 2300743 A1	06-02-1995
			DE 69421466 D1	09-12-1999
			DE 69421466 T2	10-02-2000
			EP 0637454 A1	08-02-1995
			EP 0945152 A1	29-09-1999
			JP 7059802 A	07-03-1995
			US 6210434 B1	03-04-2001
			US 5693083 A	02-12-1997
			US 2003158597 A1	21-08-2003
			US 5749920 A	12-05-1998
			US 6540778 B1	01-04-2003
			US 5782909 A	21-07-1998
			US 5957973 A	28-09-1999
			US 6346118 B1	12-02-2002
US 6355060	B1	12-03-2002	US 6024763 A	15-02-2000
			US 5683451 A	04-11-1997
			DE 69514589 D1	24-02-2000
			DE 69514589 T2	14-09-2000
			EP 0696447 A2	14-02-1996
			EP 0948946 A1	13-10-1999
			EP 0943302 A2	22-09-1999
			JP 8173548 A	09-07-1996
			US 6126685 A	03-10-2000
			US 6350278 B1	26-02-2002
			US 5824041 A	20-10-1998
			DE 29522101 U1	09-12-1999
			DE 69518275 D1	14-09-2000
			DE 69518275 T2	15-03-2001
			DE 69518435 D1	21-09-2000
			DE 69518435 T2	29-03-2001
			EP 0686379 A2	13-12-1995
			EP 0792627 A2	03-09-1997
EP 1010406 A2	21-06-2000			
JP 8052165 A	27-02-1996			