



(12) **United States Design Patent**  
**De Leon**

(10) **Patent No.:** **US D849,629 S**  
(45) **Date of Patent:** **\*\* May 28, 2019**

(54) **VEHICLE REAR VALANCE PANEL**  
(71) Applicant: **GM GLOBAL TECHNOLOGY OPERATIONS LLC**, Detroit, MI (US)  
(72) Inventor: **Reymin De Leon**, Birmingham, MI (US)  
(73) Assignee: **GM GLOBAL TECHNOLOGY OPERATIONS LLC**, Detroit, MI (US)  
(\*\*) Term: **15 Years**

D608,691 S 1/2010 Zak, Jr. et al.  
D609,608 S 2/2010 Boniface et al.  
D611,387 S 3/2010 Thompson et al.  
D611,879 S 3/2010 Kim et al.  
D612,297 S 3/2010 Peters et al.  
D613,645 S 4/2010 Song et al.  
D615,458 S 5/2010 Thompson et al.  
D618,595 S 6/2010 Ware et al.  
D623,090 S 9/2010 Cox et al.  
D627,262 S 11/2010 Ikeda et al.  
D635,488 S 4/2011 Phipps  
D644,147 S 8/2011 Suh et al.  
D644,567 S 9/2011 Kozub  
D657,718 S 4/2012 Zipfel et al.  
D659,052 S 5/2012 Ware et al.  
D659,053 S 5/2012 Ware et al.  
D668,182 S 10/2012 Barba Franco et al.  
D668,183 S 10/2012 Smart

(21) Appl. No.: **29/629,234**

(22) Filed: **Dec. 12, 2017**

(51) **LOC (11) Cl.** ..... **12-16**

(52) **U.S. Cl.**  
USPC ..... **D12/196**

(58) **Field of Classification Search**  
USPC ..... D12/86, 90, 91, 92, 163, 169, 171, 196, D12/216  
CPC ..... B60R 19/02; B60R 19/04; B62D 25/00; B62D 25/06; B62D 25/08; B62D 35/00  
See application file for complete search history.

(56) **References Cited**

**U.S. PATENT DOCUMENTS**

D570,742 S 6/2008 Takagi et al.  
D592,105 S 5/2009 Dean et al.  
D597,447 S 8/2009 Folden  
D600,595 S 9/2009 Nakamura et al.  
D601,925 S 10/2009 O'Donnell  
D603,755 S 11/2009 Peters  
D604,203 S 11/2009 O'Donnell  
D605,082 S 12/2009 Munson  
D605,083 S 12/2009 Manoogian, II et al.  
D605,977 S 12/2009 Zipfel et al.  
D605,978 S 12/2009 Wolf et al.  
D608,249 S 1/2010 Peters  
D608,690 S 1/2010 Folden et al.

*Primary Examiner* — Susan Bennett Hattan  
*Assistant Examiner* — Suzanne E Tisdell

(57) **CLAIM**

The ornamental design for a vehicle rear valance panel, as shown and described.

**DESCRIPTION**

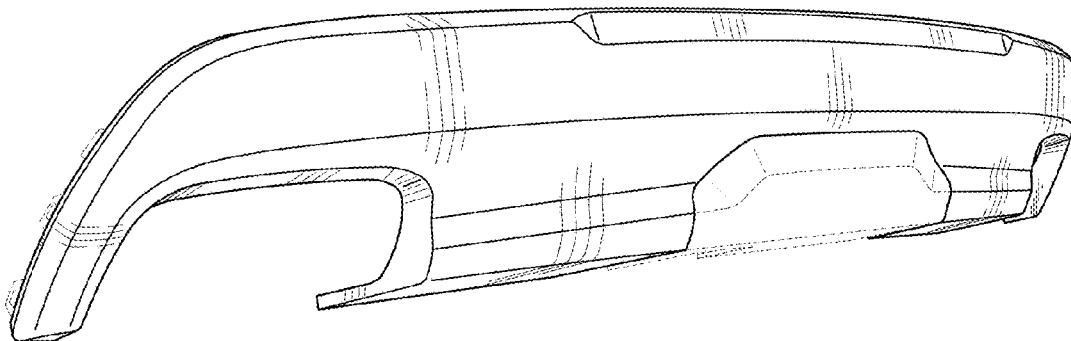
FIG. 1 is a front and left perspective view of a vehicle rear valance panel showing my new design; FIG. 2 is a left end elevation view thereof; FIG. 3 is a front elevation view thereof; and, FIG. 4 is a bottom plan view thereof.

The right end elevation view is omitted, because the right end elevation view is a mirror image to the left end elevation view.

The broken lines shown in the drawings depict portions of the vehicle rear valance panel that form no part of the claimed design.

The shade lines in the figures show contour and not surface ornamentation.

**1 Claim, 2 Drawing Sheets**



(56)

## References Cited

## U.S. PATENT DOCUMENTS

D678,820 S	3/2013	Son et al.	
D678,821 S	3/2013	Ikeda et al.	
D680,909 S	4/2013	Munson et al.	
D680,910 S	4/2013	David	
D684,899 S	6/2013	Baker	
D686,536 S	7/2013	McCabe et al.	
D692,798 S	11/2013	Thurber	
D692,799 S	11/2013	Smith et al.	
D696,157 S	12/2013	Loeb	
D698,708 S	* 2/2014	Rupar	D12/169
D699,629 S	2/2014	Ikeda et al.	
D700,871 S	3/2014	O'Donnell et al.	
D701,800 S	* 4/2014	Campbell	D12/169
D703,103 S	4/2014	Lee	
D704,103 S	5/2014	Mack et al.	
D705,132 S	5/2014	Ware et al.	
D705,699 S	5/2014	Ware et al.	
D711,653 S	* 8/2014	Pacetti	D3/318
D712,322 S	* 9/2014	Kobayashi	D12/169
D712,805 S	* 9/2014	Murkett	D12/169
D713,298 S	9/2014	Dyson	
D713,764 S	9/2014	Ferlazzo et al.	
D716,696 S	11/2014	Thole et al.	
D716,706 S	11/2014	Thole et al.	
D716,709 S	11/2014	Thole et al.	
D717,696 S	11/2014	Thole et al.	
D718,189 S	11/2014	Krieg et al.	
D718,683 S	12/2014	Thole et al.	
D722,282 S	2/2015	Loeb	
D722,533 S	2/2015	Thole et al.	
D722,534 S	2/2015	Munson et al.	
D724,510 S	3/2015	McMahan et al.	
D725,001 S	3/2015	McMahan et al.	
D726,591 S	4/2015	Jacob	
D730,776 S	6/2015	Smart	
D730,783 S	6/2015	Henriques et al.	
D732,427 S	6/2015	Loeb	
D732,429 S	6/2015	Loeb	
D732,430 S	6/2015	Loeb	
D732,431 S	6/2015	Loeb	
D732,432 S	6/2015	Aengenheyster	
D732,433 S	6/2015	Aengenheyster	
D732,435 S	6/2015	Mackay	
D733,002 S	6/2015	Loeb	
D735,611 S	8/2015	Aengenheyster	
D735,627 S	8/2015	Smith	
D736,451 S	8/2015	Smith	
D739,306 S	9/2015	McMahan et al.	
D739,317 S	9/2015	McMahan et al.	
D741,223 S	10/2015	Kim et al.	
D742,119 S	* 11/2015	Batista	D3/318
D743,309 S	11/2015	Thole et al.	
D743,313 S	11/2015	Smith et al.	
D743,314 S	11/2015	Thole et al.	
D743,857 S	11/2015	McMahan et al.	
D744,158 S	11/2015	Willett et al.	
D744,915 S	* 12/2015	Curic	D12/169
D745,086 S	12/2015	Finos et al.	
D745,719 S	12/2015	Boniface et al.	
D745,725 S	12/2015	McMahan et al.	
D745,726 S	12/2015	McMahan et al.	
D745,837 S	12/2015	Smith et al.	
D746,726 S	1/2016	Smith et al.	
D746,727 S	1/2016	Smith et al.	
D746,728 S	1/2016	Smith et al.	
D746,729 S	1/2016	Boniface et al.	
D746,730 S	1/2016	Kim et al.	
D747,514 S	1/2016	McMahan et al.	
D747,515 S	1/2016	McMahan et al.	
D747,819 S	1/2016	Thole et al.	
D749,021 S	2/2016	Boniface et al.	
D749,026 S	2/2016	Smith et al.	
D749,027 S	2/2016	McMahan et al.	
D749,246 S	2/2016	Thole et al.	
D749,249 S	2/2016	Thole et al.	
D749,250 S	2/2016	Thole et al.	
D749,985 S	2/2016	Kozub et al.	
D749,997 S	2/2016	McMahan et al.	
D750,001 S	2/2016	Thole et al.	
D751,003 S	* 3/2016	Rupar	D12/163
D751,007 S	* 3/2016	Curic	D12/169
D753,032 S	4/2016	Smith et al.	
D753,033 S	4/2016	Thole et al.	
D753,034 S	4/2016	Thole et al.	
D753,035 S	4/2016	Boniface et al.	
D753,036 S	* 4/2016	Curic	D12/169
D753,559 S	4/2016	McMahan et al.	
D753,560 S	4/2016	McMahan et al.	
D753,567 S	4/2016	Boniface et al.	
D754,571 S	4/2016	Boniface et al.	
D754,572 S	4/2016	McMahan et al.	
D755,088 S	5/2016	McMahan et al.	
D756,869 S	5/2016	McMahan et al.	
D758,259 S	* 6/2016	Messale	D12/169
D758,271 S	6/2016	McMahan et al.	
D762,147 S	* 7/2016	Messale	D12/169
D763,143 S	* 8/2016	Varga	D12/169
D763,744 S	* 8/2016	Behmer	D12/169
D764,975 S	8/2016	Aengenheyster	
D764,976 S	8/2016	Aengenheyster	
D767,449 S	9/2016	Pevovar et al.	
D767,450 S	9/2016	Lee et al.	
D767,451 S	9/2016	Kozub et al.	
D767,454 S	9/2016	McMahan et al.	
D767,458 S	9/2016	Kim	
D767,459 S	9/2016	Kim	
D767,460 S	9/2016	Kozub et al.	
D767,461 S	9/2016	Kozub et al.	
D771,528 S	11/2016	Smith et al.	
D771,529 S	11/2016	Thole et al.	
D771,532 S	11/2016	Kapitonov	
D771,533 S	11/2016	Kapitonov	
D771,536 S	* 11/2016	Wolff	D12/169
D772,766 S	11/2016	Kozub et al.	
D772,767 S	11/2016	Kim	
D773,084 S	11/2016	Kapitonov	
D773,086 S	11/2016	McCabe et al.	
D774,226 S	12/2016	McCabe et al.	
D775,003 S	12/2016	Pevovar et al.	
D775,007 S	12/2016	Thole et al.	
D775,010 S	12/2016	Kim et al.	
D775,038 S	* 12/2016	Frascella	D12/169
D775,049 S	12/2016	Scheer et al.	
D775,549 S	1/2017	Karras	
D775,554 S	1/2017	Kapitonov	
D776,020 S	1/2017	Kapitonov	
D776,021 S	* 1/2017	Kapitonov	D12/169
D776,581 S	1/2017	Pevovar et al.	
D776,583 S	1/2017	Scheer et al.	
D776,841 S	1/2017	Kozub et al.	
D776,843 S	1/2017	McCabe et al.	
D776,846 S	1/2017	Willett et al.	
D777,359 S	1/2017	Kozub et al.	
D777,360 S	1/2017	Kozub et al.	
D777,361 S	1/2017	Kozub et al.	
D777,604 S	1/2017	McNerney	
D777,605 S	1/2017	Ferlazzo et al.	
D777,620 S	1/2017	Pevovar et al.	
D777,621 S	1/2017	Kim	
D777,622 S	1/2017	Kozub et al.	
D777,628 S	1/2017	Kozub et al.	
D777,955 S	1/2017	Willett et al.	
D778,212 S	2/2017	Kozub et al.	
D778,215 S	2/2017	Kozub et al.	
D780,064 S	2/2017	Smith et al.	
D780,067 S	2/2017	Zipfel et al.	
D780,068 S	2/2017	Whitla et al.	
D780,077 S	2/2017	Kim et al.	
D780,081 S	2/2017	Lee	
D780,084 S	2/2017	Scheer et al.	
D780,631 S	3/2017	Kozub et al.	
D780,644 S	3/2017	Kim et al.	
D781,184 S	3/2017	Thole et al.	
D781,192 S	3/2017	Kozub et al.	

(56)

References Cited

U.S. PATENT DOCUMENTS

D781,586 S	*	3/2017	Reinhart .....	D3/318	D793,297 S	8/2017	Smith et al.	
D781,587 S	*	3/2017	Mangano .....	D3/318	D793,299 S	8/2017	Krieg et al.	
D782,379 S		3/2017	Wassell		D793,300 S	8/2017	Krieg et al.	
D783,482 S		4/2017	Smith et al.		D793,301 S	8/2017	Kozub	
D784,213 S		4/2017	Karras		D793,302 S	8/2017	Kozub	
D784,223 S		4/2017	Lee		D793,311 S	8/2017	Whitla et al.	
D784,226 S		4/2017	Cheng		D793,590 S	8/2017	Kozub et al.	
D784,579 S		4/2017	Cheng et al.		D793,591 S	8/2017	Kozub et al.	
D784,877 S		4/2017	Lee		D793,917 S	8/2017	Kozub	
D784,886 S		4/2017	Smith et al.		D793,918 S	8/2017	Kozub	
D785,521 S		5/2017	Smith et al.		D794,229 S	8/2017	Barry	
D786,149 S		5/2017	Pevovar et al.		D794,230 S	8/2017	Kozub	
D786,743 S		5/2017	Smith et al.		D795,747 S	8/2017	Bailie	
D786,750 S		5/2017	Lee		D795,757 S	8/2017	Pevovar et al.	
D787,446 S		5/2017	Cockerill		D795,758 S	8/2017	Karras	
D787,984 S		5/2017	Fang		D795,759 S	8/2017	Kozub et al.	
D787,988 S		5/2017	Lee		D795,760 S	8/2017	Kozub et al.	
D787,989 S		5/2017	Kozub et al.		D795,762 S	8/2017	Lee	
D787,990 S		5/2017	Kozub et al.		D795,763 S	8/2017	Kozub	
D787,992 S		5/2017	Lee		D796,088 S	8/2017	McCabe et al.	
D787,993 S		5/2017	McCabe et al.		D796,093 S	8/2017	Mainville	
D788,001 S		5/2017	Lee		D796,390 S	9/2017	Pevovar et al.	
D788,641 S		6/2017	Arnold		D797,456 S	*	9/2017	Chen ..... D3/318
D788,644 S		6/2017	Mueller		D797,537 S		9/2017	Cooper et al.
D788,645 S		6/2017	Mueller		D797,603 S		9/2017	Noone et al.
D789,250 S		6/2017	Arnold		D797,614 S		9/2017	Lee
D789,260 S		6/2017	Smith		D797,616 S	*	9/2017	Lee ..... D12/169
D789,575 S		6/2017	Willet		D797,624 S		9/2017	Nakamura
D789,841 S		6/2017	Lee		D797,625 S		9/2017	Perkins
D789,849 S		6/2017	Lee		D797,631 S		9/2017	Pevovar et al.
D791,018 S		7/2017	Mylenek		D797,632 S		9/2017	Zipfel et al.
D791,644 S		7/2017	Fang		D797,967 S		9/2017	Barry
D792,290 S		7/2017	Smith et al.		D797,970 S		9/2017	Mainville
D792,293 S		7/2017	McCabe et al.		D797,971 S		9/2017	Mainville
D792,294 S		7/2017	McCabe et al.		D797,972 S		9/2017	Whitla et al.
D792,295 S		7/2017	McCabe et al.		D798,201 S	*	9/2017	Zavatski ..... D12/169
D792,815 S		7/2017	Kozub		D798,204 S		9/2017	Mainville
D792,816 S		7/2017	Kozub		D799,384 S		10/2017	Kozub et al.
D793,290 S		8/2017	Kozub		D799,385 S		10/2017	Kozub et al.
D793,292 S		8/2017	Lee		D799,386 S		10/2017	Kozub et al.
D793,293 S		8/2017	Lee et al.		D799,728 S		10/2017	Whitla et al.
D793,294 S	*	8/2017	Lee .....	D12/169	D800,621 S	*	10/2017	Bucher ..... D12/196
D793,295 S	*	8/2017	McCabe .....	D12/169	D801,236 S	*	10/2017	Kozub ..... D12/169
D793,296 S		8/2017	Smith et al.		D803,738 S	*	11/2017	Granlund ..... D12/169
					D807,255 S	*	1/2018	Piscitelli ..... D12/169

\* cited by examiner

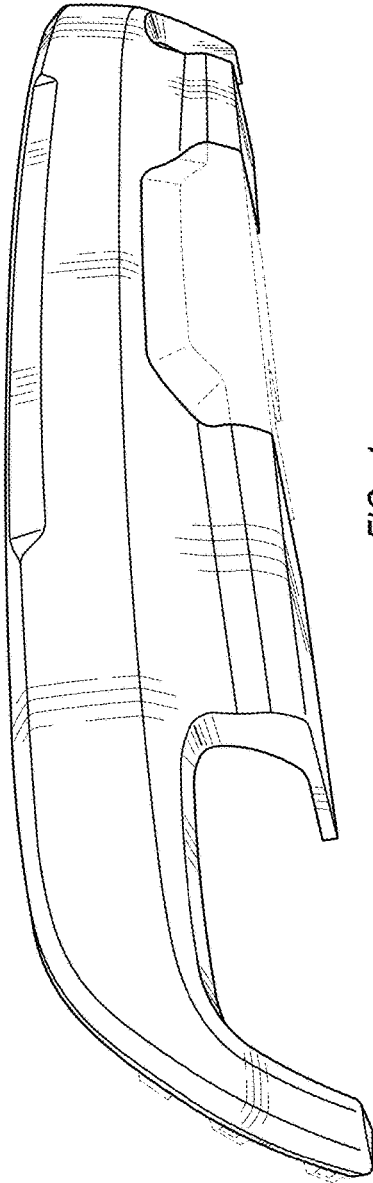


FIG-1

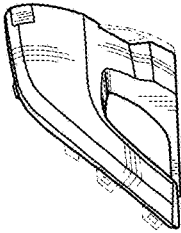


FIG-2

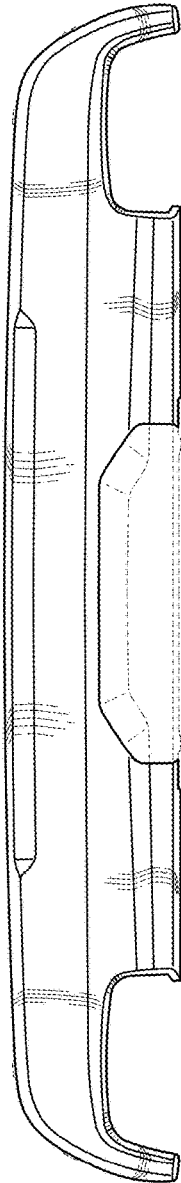


FIG-3

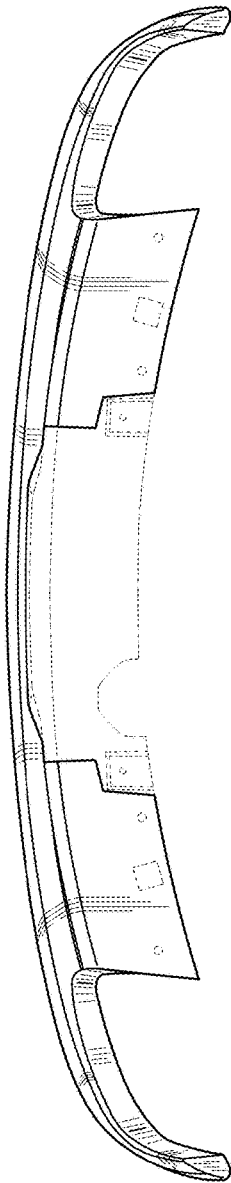


FIG-4