



(12) **United States Design Patent**
Scholder

(10) **Patent No.:** **US D779,601 S**
(45) **Date of Patent:** **** Feb. 21, 2017**

(54) **YOGA BLOCK**

(56) **References Cited**

(71) Applicant: **Jason Scholder**, Asheville, NC (US)

U.S. PATENT DOCUMENTS

(72) Inventor: **Jason Scholder**, Asheville, NC (US)

(**) Term: **15 Years**

(21) Appl. No.: **29/538,093**

(22) Filed: **Sep. 1, 2015**

D288,984	S	*	3/1987	Scheurer	D3/211
D311,295	S	*	10/1990	Roberts	D6/601
D316,616	S	*	4/1991	Leslie	D24/101
D341,567	S	*	11/1993	Acker	D13/110
5,284,659	A	*	2/1994	Cherukuri	A23G 3/2061
						424/435
D423,141	S	*	4/2000	Binstock	D28/8.1
D428,668	S	*	7/2000	Binstock	D28/8.1
D432,641	S	*	10/2000	Burrows	D24/101
D450,883	S	*	11/2001	Buter	D1/127
D475,451	S	*	6/2003	Bell	D24/101
D475,452	S	*	6/2003	Hessom	D24/102
6,589,925	B1	*	7/2003	Binstock	C11D 17/0078
						510/141
D482,558	S	*	11/2003	Kancilja	D6/601
D485,940	S	*	1/2004	Dixon	D28/63
D494,043	S	*	8/2004	Neil	D8/356
D508,992	S	*	8/2005	Kahler	D24/102
D511,340	S	*	11/2005	Mah	D14/222
D523,494	S	*	6/2006	Van Straaten	D21/662
D523,913	S	*	6/2006	Van Straaten	D21/662
D526,369	S	*	8/2006	Van Straaten	D21/662
D539,007	S	*	3/2007	Clark	D1/127
D556,946	S	*	12/2007	Seum	D24/101

Related U.S. Application Data

(63) Continuation of application No. 13/358,139, filed on Jan. 25, 2012, now abandoned.

(51) **LOC (10) Cl.** **21-02**

(52) **U.S. Cl.**
USPC **D21/686**

(58) **Field of Classification Search**

USPC D21/664, 673, 688, 662, 699, 705, 668, D21/769, 690, 788, 698, 534, 669, 302, D21/691, 681, 682, 800, 694, 686, 702, D21/676, 684, 775, 777, 692, 672; 482/122, 142, 123, 129, 128, 93, 106, 74, 482/121, 130, 71, 72, 95, 96, 68, 66, 41, 482/141, 100, 115, 49, 146, 147, 42, 51, 482/35, 38, 23, 904, 91, 28, 140, 907, 86, 482/83, 87, 90, 131, 902, 61, 65, 17, 52, 482/62, 107, 108, 54, 105, 133, 148, 92, 482/138, 12; 473/432, 445, 441, 197, 434, 473/438, 454, 478, 447, 422, 476; D12/317, 9, 6, 8, 130, 115, 114; 273/400, 273/407, 396; D8/303, 499, 107, 14; D11/87, 86, 80, 103, 2, 56, 93, 13; 16/430, 421; D26/49, 37; D24/107; 74/551.9; 59/82, 80; 24/658, 303

CPC A63B 21/0552; A63B 21/00069; A63B 21/4035; A63B 21/0557; A63B 21/0442; A63B 2208/0204; A63B 21/4043; A63B 23/12; A63B 21/0004

See application file for complete search history.

(Continued)

OTHER PUBLICATIONS

Aadil Palkhivala—3 The Meaning of Yoga by ThreeMinuteEgg dated Dec. 10, 2012. Found online [Sep. 28, 2016] https://www.youtube.com/watch?v=No_vvsw_VIU.*

(Continued)

Primary Examiner — Robert M Spear
Assistant Examiner — Ryan Harvey
(74) *Attorney, Agent, or Firm* — McClure, Qualey & Rodack, LLP

(57) **CLAIM**

The ornamental design for the yoga block, as shown and described.

DESCRIPTION

FIG. 1 is a perspective view showing my new design for an yoga block;

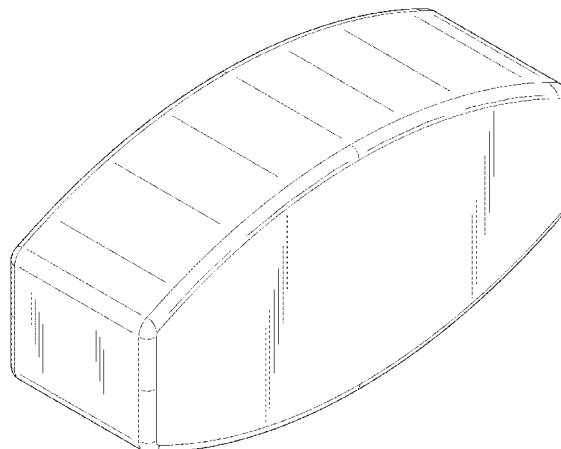


FIG. 2 is a top plan view, the bottom plan view being a mirror image thereof;

FIG. 3 is a front elevational view, rear elevational view being a mirror image thereof; and,

FIG. 4 is a left side elevational view, the right side elevational view being a mirror image thereof.

1 Claim, 2 Drawing Sheets

(56)

References Cited

U.S. PATENT DOCUMENTS

D560,810 S * 1/2008 Hennessy D24/214
 D562,600 S * 2/2008 Diekman D6/349
 D564,086 S * 3/2008 Nielsen D24/101
 D569,161 S * 5/2008 Gaddy D6/597
 D627,675 S * 11/2010 Graham D11/79
 7,901,328 B1 * 3/2011 Kessler A63B 5/16
 482/130
 D651,369 S * 12/2011 Seliskar D30/160
 D671,636 S * 11/2012 Nishino D24/101
 D691,222 S * 10/2013 Sterios D21/686

D695,857 S * 12/2013 Sterios D21/686
 D699,017 S * 2/2014 Sunvold D1/199
 D701,582 S * 3/2014 Sterios D21/686
 D703,772 S * 4/2014 Sterios D21/688
 D707,312 S * 6/2014 Sterios D21/686
 D729,974 S * 5/2015 Sommarstrom D27/100
 D735,315 S * 7/2015 Bhat D24/101
 D740,378 S * 10/2015 Walsh-Gomez D21/662
 2004/0192523 A1 * 9/2004 Wu A63B 21/00047
 482/148
 2010/0062918 A1 * 3/2010 Scholder A63B 21/00047
 482/148
 2010/0184567 A1 * 7/2010 Lim A63B 21/0004
 482/23
 2013/0029815 A1 * 1/2013 Lu A63B 21/0004
 482/142
 2013/0190151 A1 * 7/2013 Scholder A63B 21/4039
 482/142

OTHER PUBLICATIONS

Three Minute Egg by Three Minute Egg dated no date given. Found online [Sep. 28, 2016] <http://www.threeminuteegg.com/egg-shaped-yoga-blocks/?sort=featured&page=3>.*

* cited by examiner

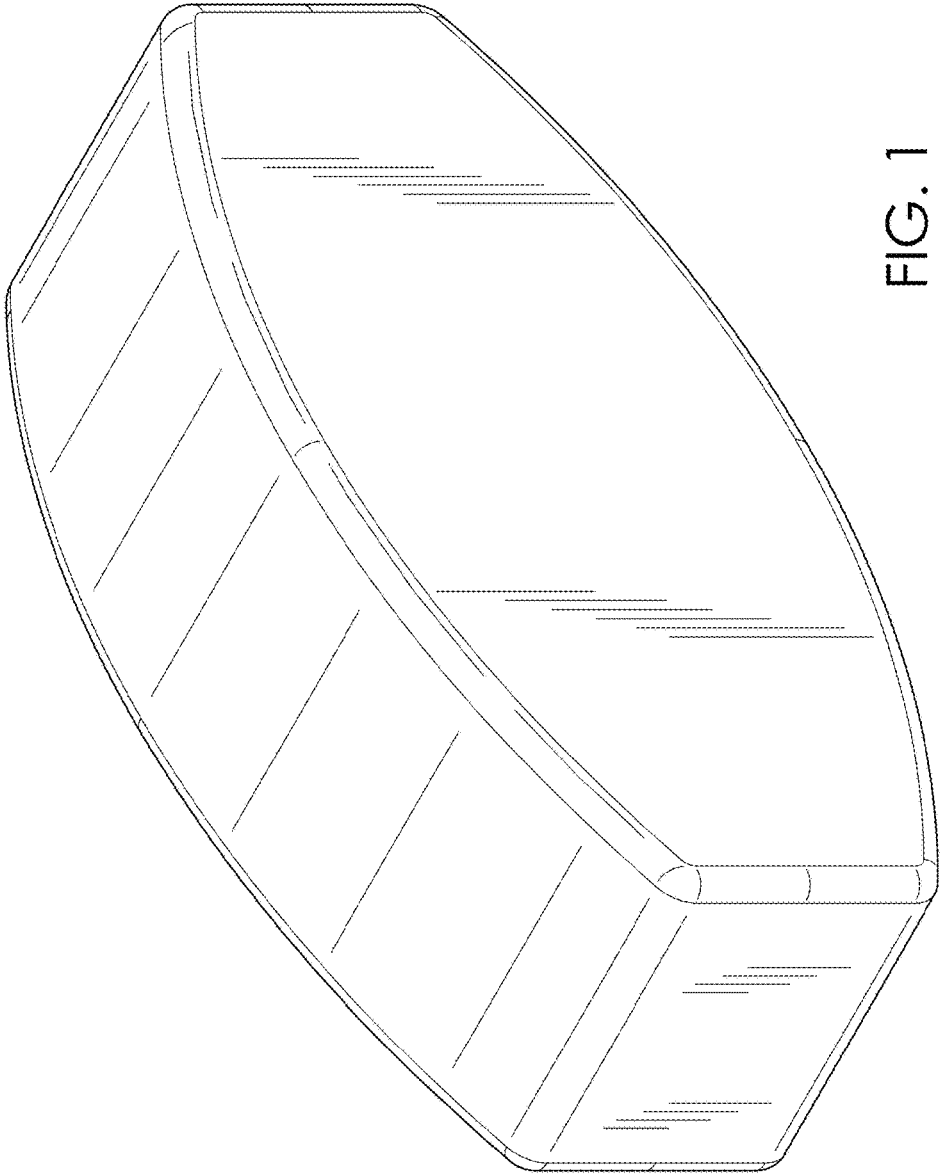


FIG. 1

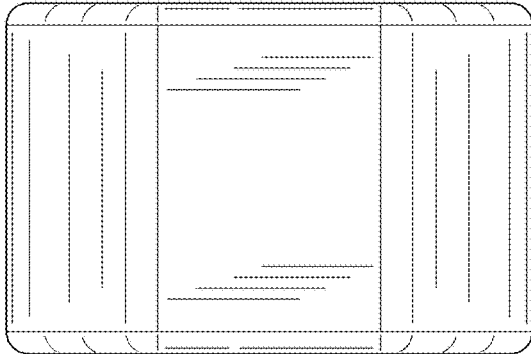


FIG. 4

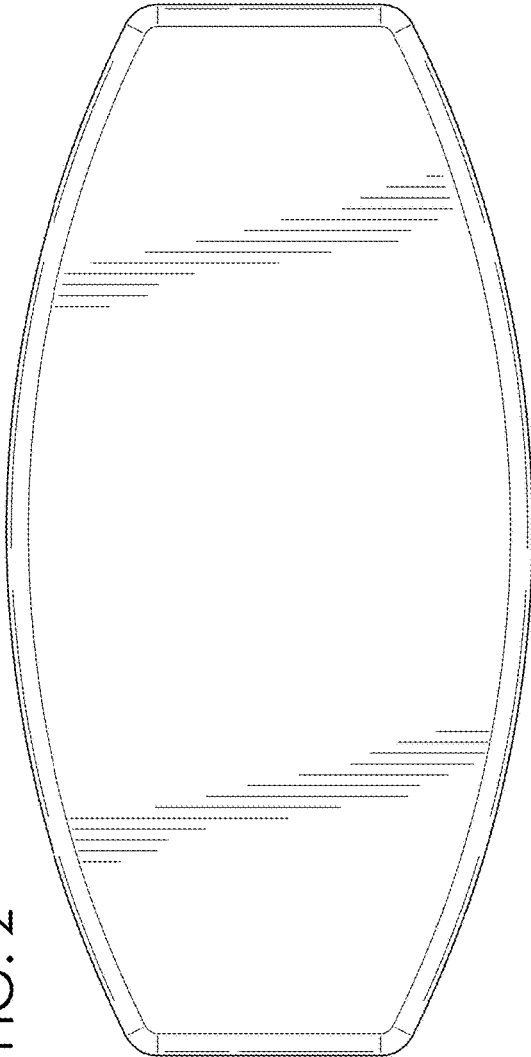


FIG. 2

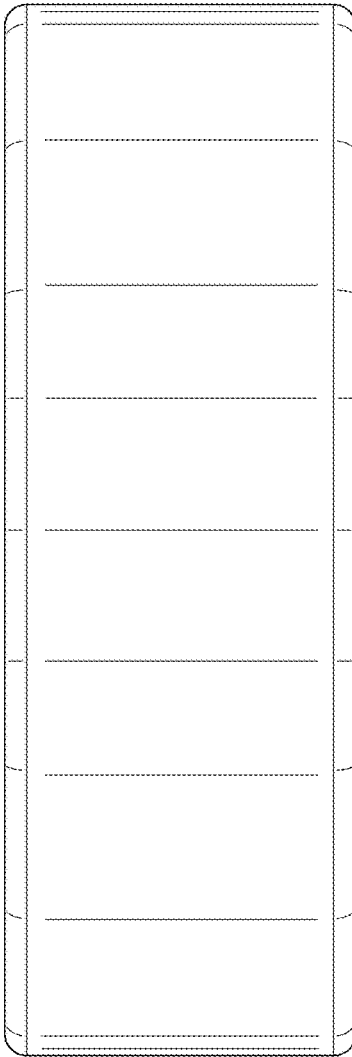


FIG. 3