



US00D555692S

(12) **United States Design Patent**
Liu et al.

(10) **Patent No.:** **US D555,692 S**

(45) **Date of Patent:** **** Nov. 20, 2007**

(54) **WIRELESS INTERNET CAMERA**

(75) Inventors: **Calvin Y. Liu**, Irvine, CA (US);
Hung-Bing Chen, Tustin, CA (US)

(73) Assignee: **Cisco Technology, Inc.**, San Jose, CA (US)

(**) Term: **14 Years**

(21) Appl. No.: **29/263,762**

(22) Filed: **Jul. 28, 2006**

(51) **LOC (8) Cl.** **16-01**

(52) **U.S. Cl.** **D16/203; D16/202**

(58) **Field of Classification Search** D16/200–206,
D16/208, 214; 348/373–376, 14.02, 143,
348/211.2; 396/427, 428, 176, 535–541;
358/906, 909.1

See application file for complete search history.

(56) **References Cited**

U.S. PATENT DOCUMENTS

D385,571 S *	10/1997	Abrams	D16/203
D429,269 S *	8/2000	Renkis	D16/203
D429,743 S *	8/2000	Renkis	D16/203
D442,201 S *	5/2001	Backs et al.	D16/202
D451,938 S *	12/2001	Chen	D16/202
D475,070 S *	5/2003	Ogura	D16/202
D484,160 S *	12/2003	Kangasmaa	D16/203
D508,067 S *	8/2005	Deguchi	D16/203
2005/0088571 A1 *	4/2005	Wei	348/375

* cited by examiner

Primary Examiner—Ian Simmons

Assistant Examiner—Wan Laymon

(74) *Attorney, Agent, or Firm*—MacPherson Kwok Chen & Heid LLP; Tom Chen

(57) **CLAIM**

The ornamental design for a wireless internet camera, as shown and described.

DESCRIPTION

FIG. 1 is a perspective view of the wireless internet camera according to one embodiment;

FIG. 2 is another perspective view of the wireless internet camera of FIG. 1;

FIG. 3 is a front view of the wireless internet camera of FIG. 1;

FIG. 4 is a top view of the wireless internet camera of FIG. 1;

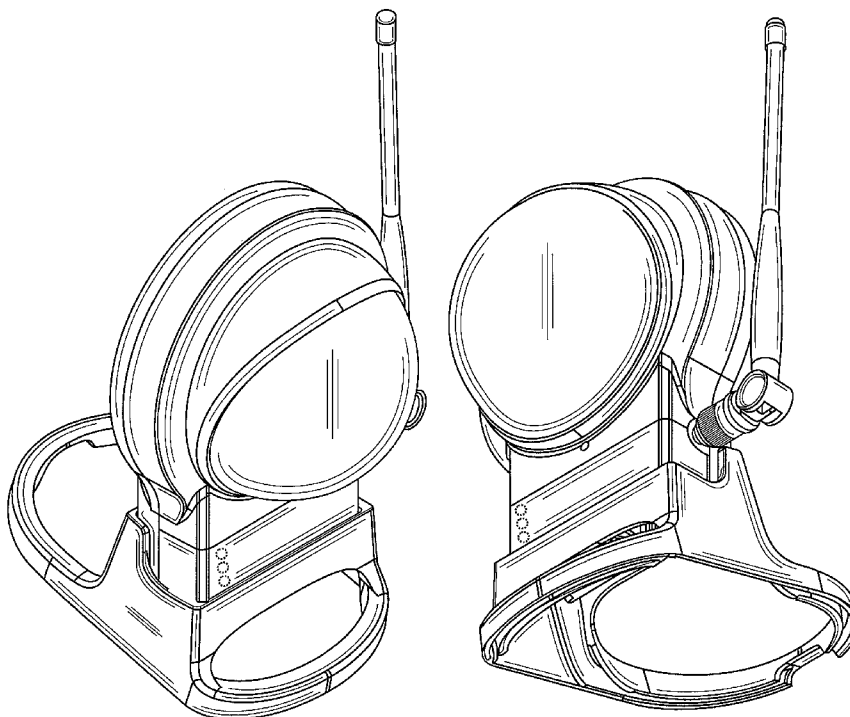
FIG. 5 is a bottom view of the wireless internet camera of FIG. 1;

FIG. 6 is a side view of the wireless internet camera of FIG. 1; and,

FIG. 7 is another side view of the wireless internet camera of FIG. 1.

The broken lines are shown in the views for illustrative purposes only and form no part of the claimed design.

1 Claim, 7 Drawing Sheets



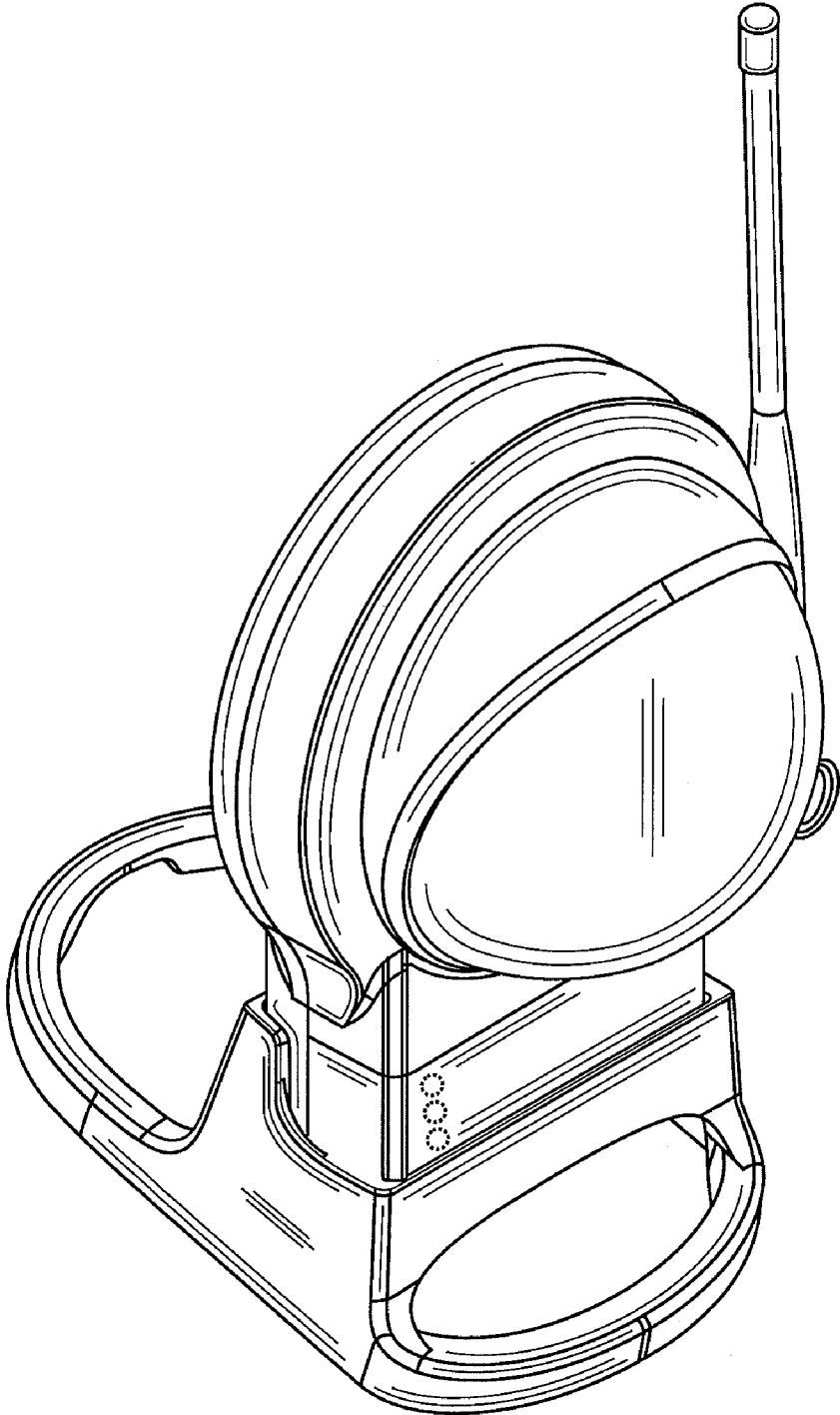


FIG. 1

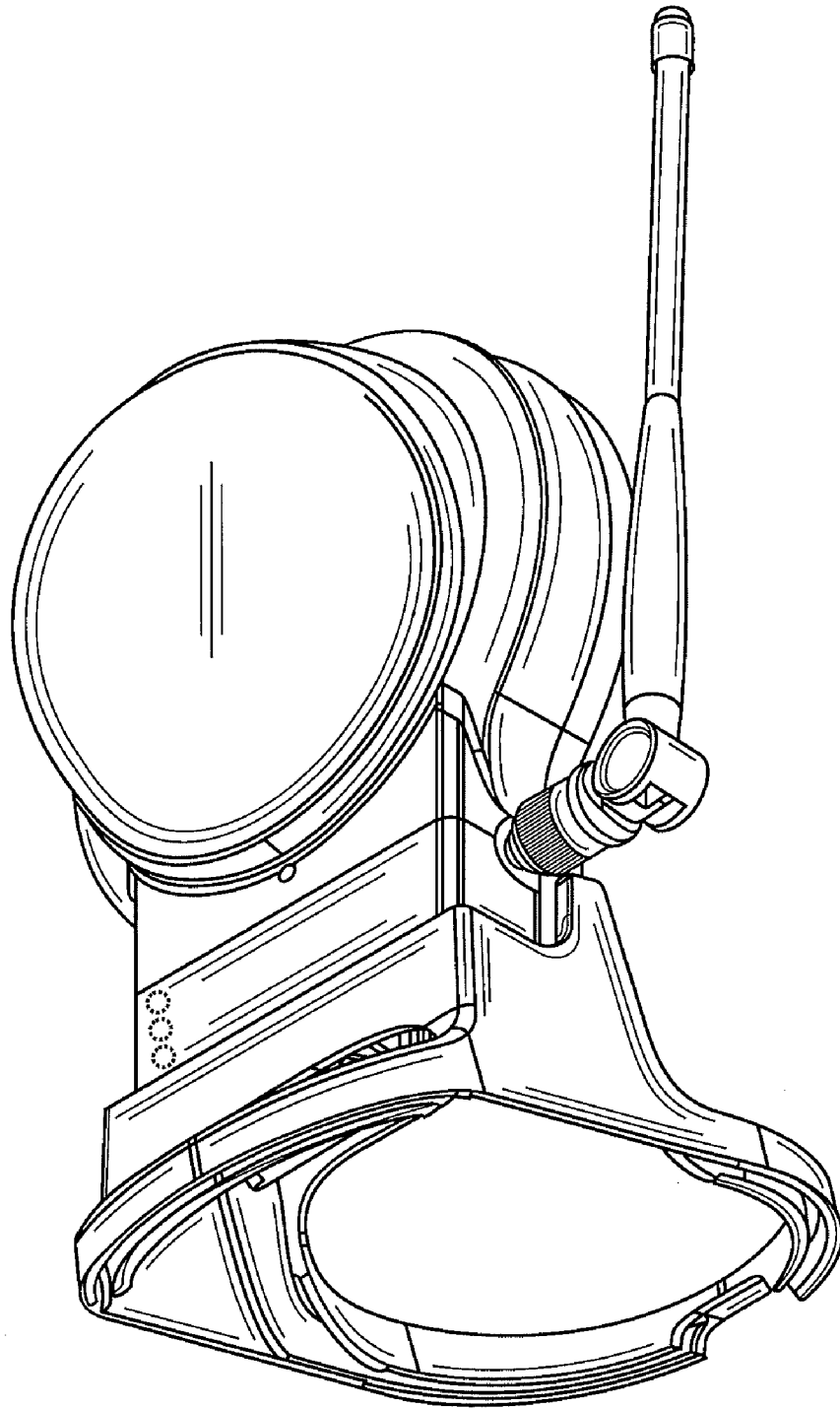


FIG. 2

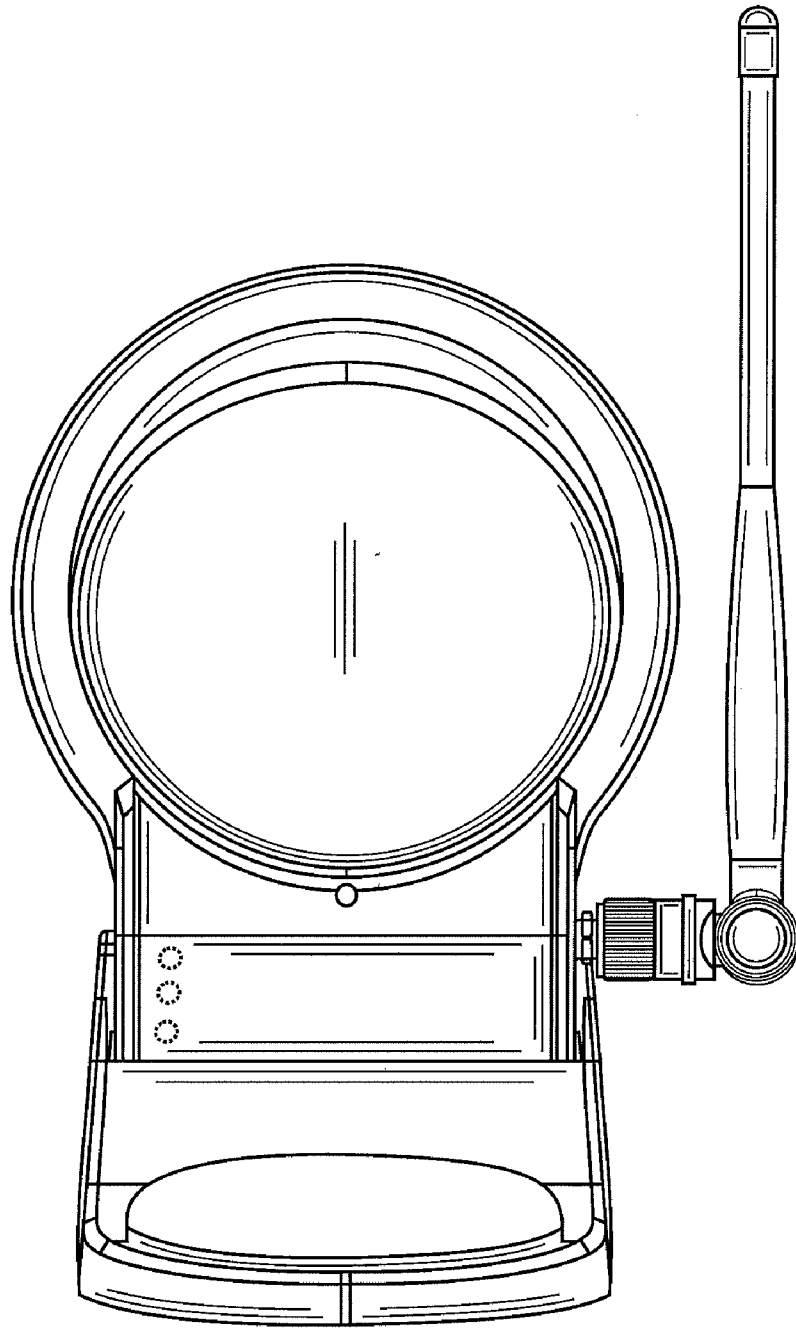


FIG. 3

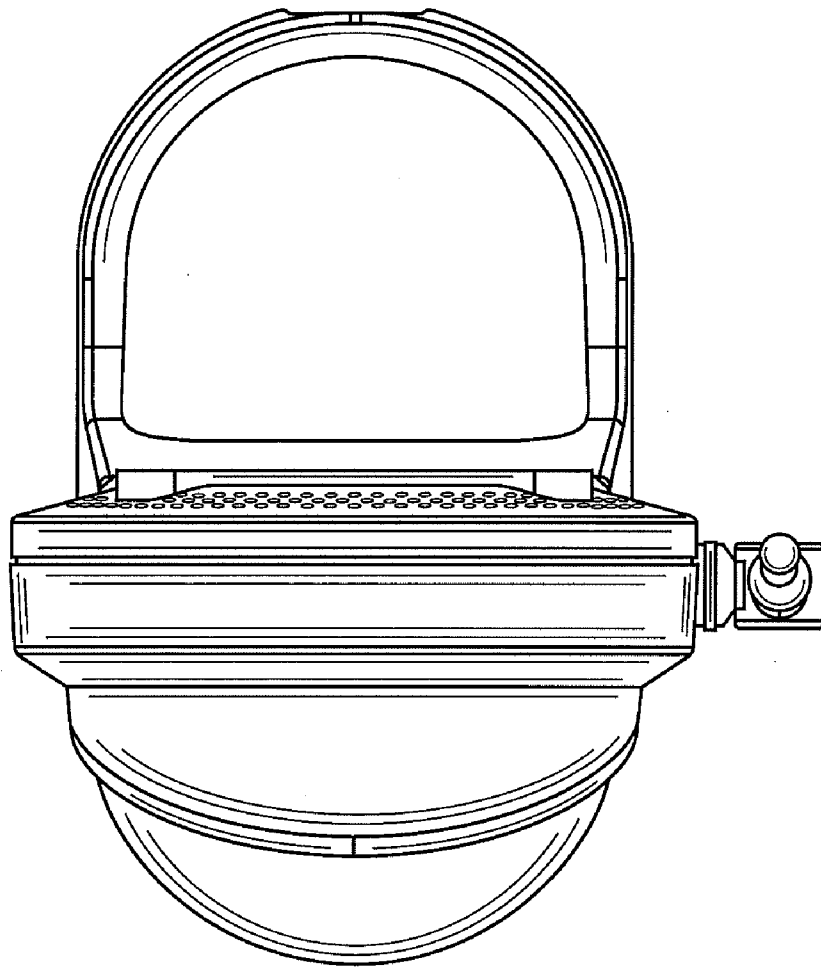


FIG. 4

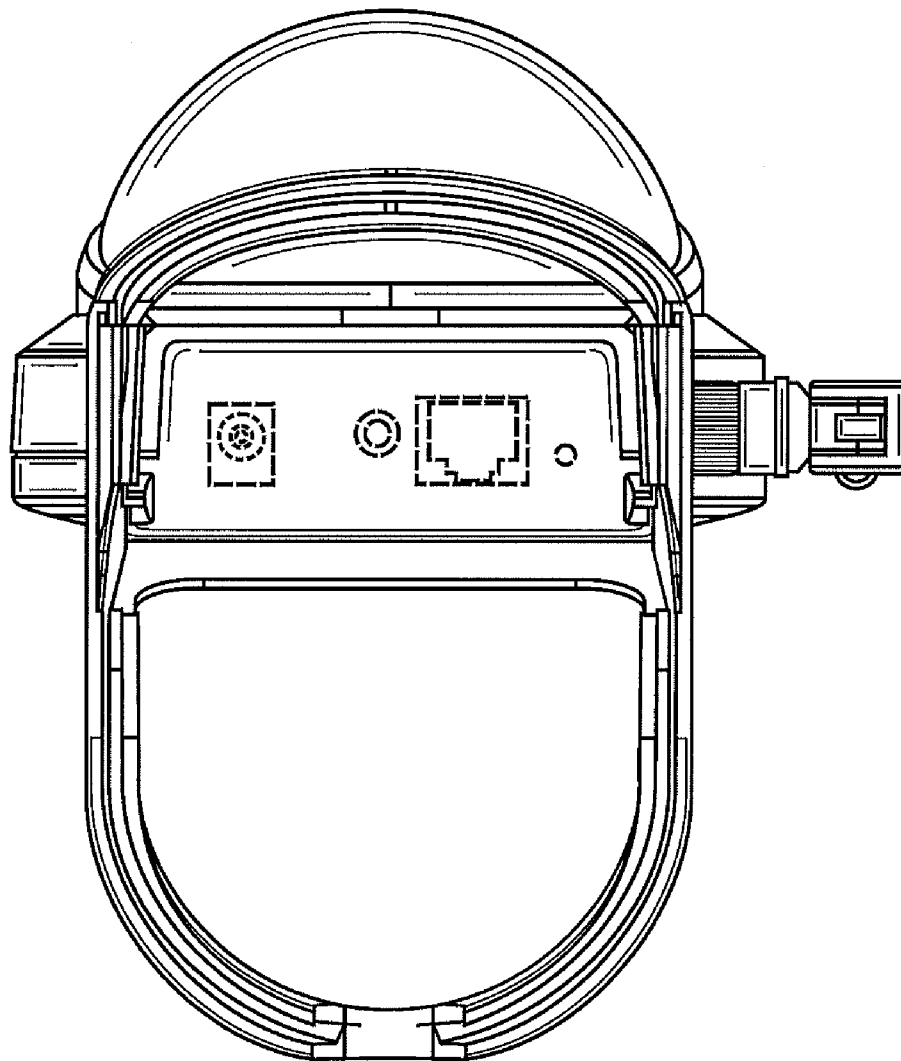


FIG. 5

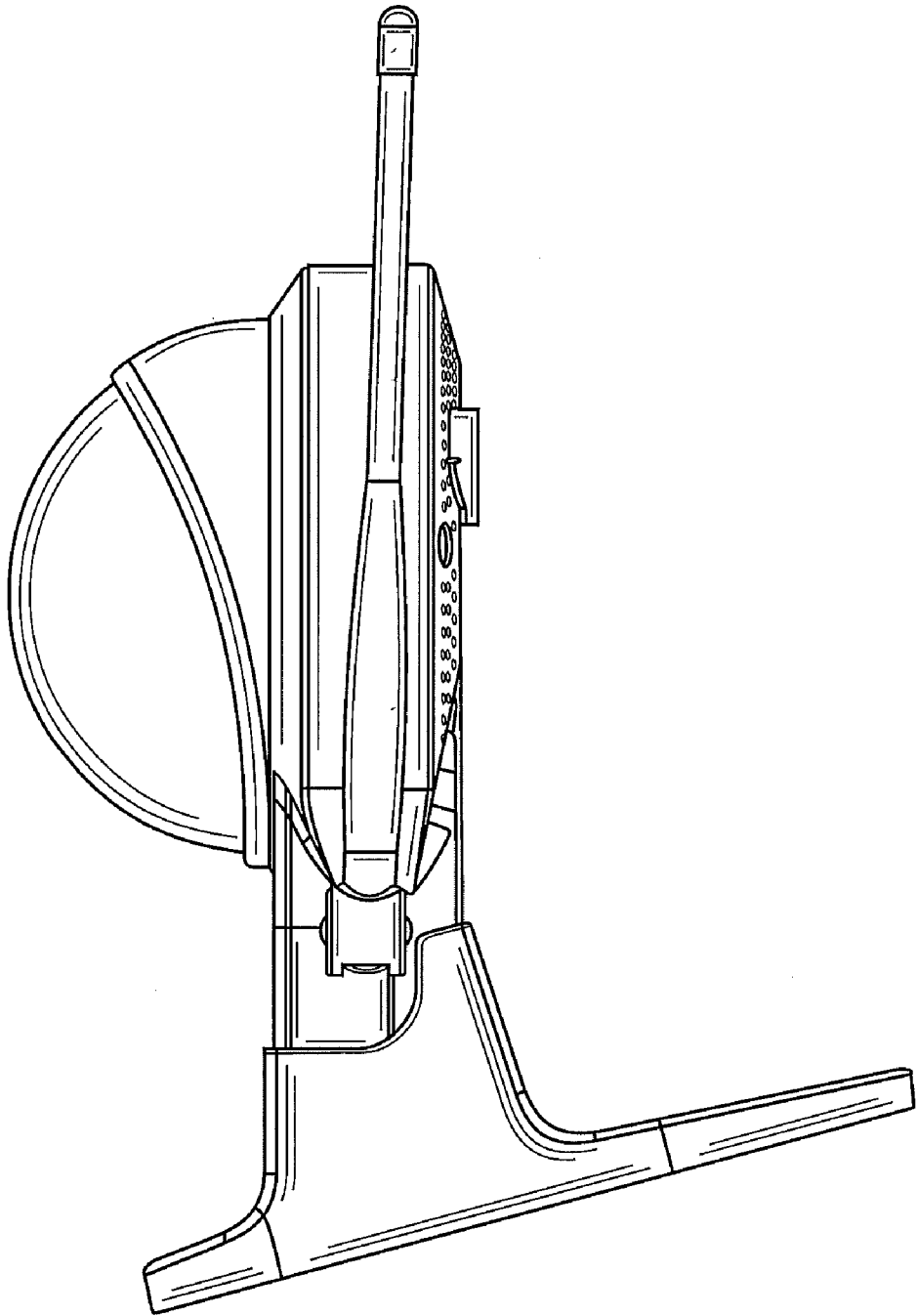


FIG. 6

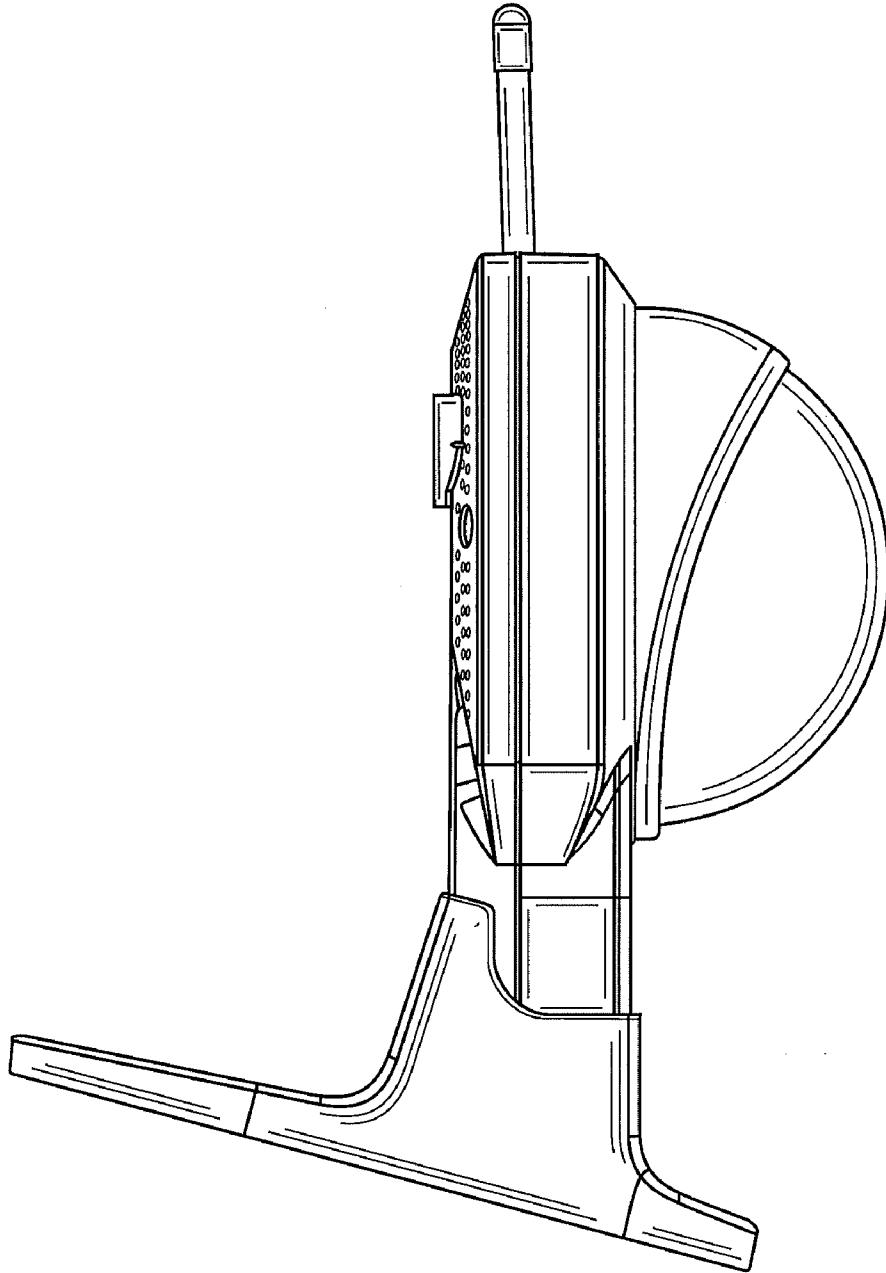


FIG. 7