



US00D844130S

(12) **United States Design Patent**
Harr et al.

(10) **Patent No.:** **US D844,130 S**

(45) **Date of Patent:** **** Mar. 26, 2019**

(54) **PUMP BASE**

(71) Applicant: **KPR U.S., LLC**, Mansfield, MA (US)

(72) Inventors: **James M. Harr**, Wentzville, MO (US);
Gabriel McHugh, Braintree, MA (US);
Paul Trelford, St. Louis, MO (US);
Gary J. Waldhoff, St. Charles, MO
(US); **Dennis Scott Prows**, Lutz, FL
(US); **Kenneth M. Breitweiser**,
Brighton, IL (US); **Joel D. Wiesner**,
O'Fallon, MO (US); **Matthew Bodi**,
Tarpon Springs, FL (US)

6,062,829 A 5/2000 Ognier
6,221,012 B1 4/2001 Maschke et al.
6,377,162 B1 4/2002 Delestienne et al.
6,377,806 B1 4/2002 Tokyuoshi
6,442,433 B1 8/2002 Linberg
(Continued)

FOREIGN PATENT DOCUMENTS

CA 2648885 A1 11/2007
CA 2644635 A1 8/2008
(Continued)

OTHER PUBLICATIONS

(73) Assignee: **KPR U.S., LLC**, Mansfield, MA (US)

Office Action dated Apr. 2, 2015 in related U.S. Appl. No. 29/466,985,
12 pages.

(**) Term: **15 Years**

(Continued)

(21) Appl. No.: **29/549,625**

Primary Examiner — Wan Laymon
Assistant Examiner — Mark Booker

(22) Filed: **Dec. 28, 2015**

(74) *Attorney, Agent, or Firm* — Adnan H. Bohri

Related U.S. Application Data

(63) Continuation of application No. 29/466,985, filed on
Sep. 13, 2013, now Pat. No. Des. 746,441.

(51) **LOC (11) Cl.** **24-02**

(52) **U.S. Cl.**
USPC **D24/111**

(58) **Field of Classification Search**
USPC D24/111; 417/477.2, 474-476, 477.1,
417/477.3-477.9, 477.11-477.14, 12;
604/66, 67, 151, 500, 516
CPC F04B 43/1269; F04B 43/1253; F04B
43/1223; A61M 5/142
See application file for complete search history.

(56) **References Cited**

U.S. PATENT DOCUMENTS

5,451,839 A 9/1995 Rappaport et al.
5,655,897 A 8/1997 Neffel et al.
5,936,539 A 8/1999 Fuchs

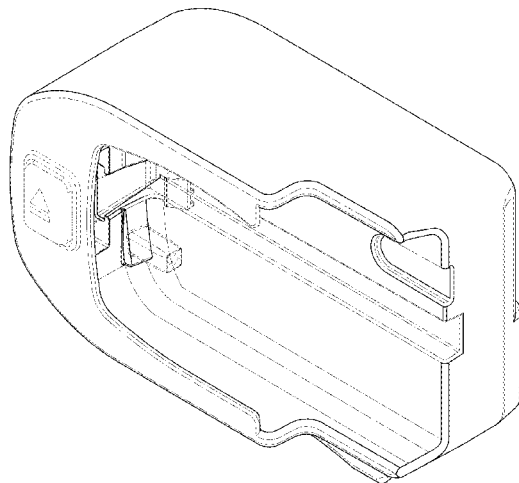
(57) **CLAIM**

The ornamental design for a pump base, as shown and
described.

DESCRIPTION

FIG. 1 is a front perspective view of a pump base having
portions shown in phantom;
FIG. 2 is a front view thereof;
FIG. 3 is a right side view thereof;
FIG. 4 is a top plan view thereof;
FIG. 5 is a left side view thereof;
FIG. 6 is a bottom plan view thereof; and,
FIG. 7 is a rear view thereof.
The elements shown in phantom form no part of the claimed
design. The rear view of the pump base is the same as the
rear view of the assembled pump base and pump and
therefore is not separately illustrated.

1 Claim, 7 Drawing Sheets



(56)

References Cited

U.S. PATENT DOCUMENTS

6,519,569	B1	2/2003	White et al.	2005/0201300	A1	9/2005	Bridgelall
6,541,839	B1	4/2003	Giffard et al.	2005/0243988	A1	11/2005	Barclay et al.
6,578,002	B1	6/2003	Derzay et al.	2005/0288571	A1	12/2005	Perkins et al.
6,695,806	B2	2/2004	Gelfand et al.	2006/0154642	A1	7/2006	Scannell, Jr.
6,790,198	B1	9/2004	White et al.	2006/0238333	A1	10/2006	Welch et al.
6,829,501	B2	12/2004	Nielsen et al.	2007/0106126	A1	5/2007	Mannheimer
6,839,753	B2	1/2005	Biondi et al.	2007/0156033	A1	7/2007	Causey, III et al.
6,942,473	B2	9/2005	Abrahamson et al.	2007/0180140	A1	8/2007	Welch et al.
7,028,182	B1	4/2006	Killcommons	2007/0186923	A1	8/2007	Poutiatine et al.
7,050,984	B1	5/2006	Kerpelman et al.	2007/0216764	A1	9/2007	Kwak
7,082,460	B2	7/2006	Hansen et al.	2007/0230197	A1	10/2007	Scannell, Jr.
D535,202	S	1/2007	Sisk et al.	2007/0253380	A1	11/2007	Jollota et al.
7,178,149	B2	2/2007	Hansen	2007/0254593	A1	11/2007	Jollota et al.
7,185,014	B1	2/2007	Hansen	2007/0255125	A1	11/2007	Moberg et al.
7,236,936	B2	6/2007	White et al.	2007/0255250	A1	11/2007	Moberg et al.
7,294,105	B1	11/2007	Islam	2007/0258395	A1	11/2007	Jollota et al.
7,316,648	B2	1/2008	Kelly et al.	2007/0268687	A1	11/2007	Scannell, Jr.
7,349,947	B1	3/2008	Slage et al.	2007/0272670	A1	11/2007	Chen
7,508,787	B2	3/2009	Doshi et al.	2007/0276270	A1	11/2007	Tran
7,529,561	B2	5/2009	HeiMonen et al.	2008/0004907	A1	1/2008	Bayne
7,539,532	B2	5/2009	Tran	2008/0012761	A1	1/2008	Derrick et al.
7,539,533	B2	5/2009	Tran	2008/0071234	A1	3/2008	Kelch et al.
7,558,622	B2	7/2009	Tran	2008/0072900	A1	3/2008	Kenyon et al.
7,613,169	B2	11/2009	Vaitinen et al.	2008/0097550	A1	4/2008	Dicks et al.
7,645,258	B2	1/2010	White et al.	2008/0097551	A1	4/2008	Dicks et al.
7,707,047	B2	4/2010	Hasan et al.	2008/0097552	A1	4/2008	Dicks et al.
7,733,224	B2	6/2010	Tran	2008/0097793	A1	4/2008	Dicks et al.
7,752,058	B2	7/2010	Sasaki et al.	2008/0097908	A1	4/2008	Dicks et al.
7,827,040	B2	11/2010	Brown	2008/0097909	A1	4/2008	Dicks et al.
7,873,772	B2	1/2011	Waldhoff et al.	2008/0097910	A1	4/2008	Dicks et al.
7,934,912	B2	5/2011	Voltenburg, Jr. et al.	2008/0097911	A1	4/2008	Dicks et al.
7,937,370	B2	5/2011	Hansen	2008/0097912	A1	4/2008	Dicks et al.
7,942,844	B2	5/2011	Moberg et al.	2008/0097913	A1	4/2008	Dicks et al.
7,949,164	B2	5/2011	Degani et al.	2008/0097914	A1	4/2008	Dicks et al.
7,949,404	B2	5/2011	Hill	2008/0097917	A1	4/2008	Dicks et al.
7,978,062	B2	7/2011	LaLonde	2008/0108880	A1	5/2008	Young et al.
8,002,701	B2	8/2011	John et al.	2008/0183502	A1	7/2008	Dicks et al.
RE42,934	E	11/2011	Thompson	2008/0224852	A1	9/2008	Dicks et al.
8,047,819	B2	11/2011	Lawrence et al.	2008/0281168	A1	11/2008	Gibson et al.
8,073,008	B2	12/2011	Mehta et al.	2009/0019061	A1	1/2009	Scannell, Jr.
8,095,381	B2	1/2012	Simmons et al.	2009/0023391	A1	1/2009	Falck
8,108,543	B2	1/2012	Hansen	2009/0058635	A1	3/2009	LaLonde et al.
8,125,318	B2	2/2012	Helmbrock et al.	2009/0058636	A1	3/2009	Gaskill et al.
8,126,728	B2	2/2012	Dicks et al.	2009/0062887	A1	3/2009	Mass et al.
8,126,729	B2	2/2012	Dicks et al.	2009/0063187	A1	3/2009	Johnson et al.
8,126,730	B2	2/2012	Dicks et al.	2009/0063193	A1	3/2009	Barton et al.
8,126,732	B2	2/2012	Dicks et al.	2009/0073694	A1	3/2009	Scannell, Jr.
8,126,733	B2	2/2012	Dicks et al.	2009/0087325	A1	4/2009	Voltenburg, Jr. et al.
8,126,734	B2	2/2012	Dicks et al.	2009/0105549	A1	4/2009	Smith et al.
8,126,735	B2	2/2012	Dicks et al.	2009/0115628	A1	5/2009	Dicks et al.
8,131,564	B2	3/2012	Dicks et al.	2009/0128320	A1	5/2009	Needham et al.
8,131,565	B2	3/2012	Dicks et al.	2009/0184835	A1	7/2009	Deaver, Sr. et al.
8,131,566	B2	3/2012	Dicks et al.	2009/0203329	A1	8/2009	White et al.
8,140,356	B2	3/2012	Dicks et al.	2009/0234672	A1	9/2009	Dicks et al.
8,155,982	B2	4/2012	Dicks et al.	2009/0247114	A1	10/2009	Sennett et al.
8,197,236	B2	6/2012	McIntosh	2009/0252117	A1	10/2009	Sherman et al.
8,200,195	B2	6/2012	Le Saint et al.	2009/0299788	A1	12/2009	Huber et al.
8,214,549	B2	7/2012	Dicks et al.	2009/0306747	A1	12/2009	Fischer et al.
8,326,648	B2	12/2012	Kenedy et al.	2010/0011000	A1	1/2010	Chakara et al.
8,373,556	B2	2/2013	LaLonde et al.	2010/0027518	A1	2/2010	Wang
8,395,498	B2	3/2013	Gaskill et al.	2010/0077115	A1	3/2010	Rofougaran
8,428,722	B2	4/2013	Verhoef et al.	2010/0079276	A1	4/2010	Collins et al.
8,515,547	B2	8/2013	Mass et al.	2010/0080200	A1	4/2010	Stewart
8,545,198	B2	10/2013	Artsyukhovich et al.	2010/0082371	A1	4/2010	Kamp et al.
8,587,427	B2	11/2013	LaLonde et al.	2010/0085948	A1	4/2010	Yu et al.
8,694,600	B2	4/2014	Gaines et al.	2010/0117835	A1	5/2010	Nanikashvili
D746,441	S *	12/2015	Harr	2010/0138235	A1	6/2010	Marks et al.
9,909,688	B2 *	3/2018	Gaines	2010/0166170	A1	7/2010	East et al.
2002/0178126	A1	11/2002	Beck et al.	2010/0198142	A1	8/2010	Sloan et al.
2002/0198473	A1	12/2002	Kumar et al.	2010/0217723	A1	8/2010	Sauerwein, Jr. et al.
2004/0155772	A1	8/2004	Merdema et al.	2010/0219250	A1	9/2010	Wang
2004/0204743	A1	10/2004	McGrath et al.	2010/0234695	A1	9/2010	Morris
2005/0010093	A1	1/2005	Ford et al.	2010/0260061	A1	10/2010	Bojhra et al.
2005/0185398	A1	8/2005	Scannell, Jr.	2010/0279647	A1	11/2010	Jacobs et al.
2005/0188853	A1	9/2005	Scannell, Jr.	2010/0292556	A1	11/2010	Golden
				2010/0317286	A1	12/2010	Jung et al.
				2010/0318578	A1	12/2010	Treu et al.
				2011/0021902	A1	1/2011	Kim et al.
				2011/0032822	A1	2/2011	Soomro

(56)

References Cited

U.S. PATENT DOCUMENTS

2011/0066555 A1 3/2011 Dicks et al.
 2011/0078441 A1 3/2011 Dicks et al.
 2011/0087756 A1 4/2011 Biondi et al.
 2011/0093283 A1 4/2011 Dicks et al.
 2011/0093284 A1 4/2011 Dicks et al.
 2011/0093285 A1 4/2011 Dicks et al.
 2011/0093286 A1 4/2011 Dicks et al.
 2011/0093287 A1 4/2011 Dicks et al.
 2011/0093297 A1 4/2011 Dicks et al.
 2011/0148624 A1 6/2011 Eaton et al.
 2011/0158430 A1 6/2011 Dicks et al.
 2011/0161111 A1 6/2011 Dicks et al.
 2011/0179405 A1 7/2011 Dicks et al.
 2011/0255454 A1 10/2011 Hauser et al.
 2011/0270045 A1 11/2011 Lebel et al.
 2011/0273287 A1 11/2011 LaLonde et al.
 2011/0280224 A1 11/2011 Falck et al.
 2011/0282671 A1 11/2011 Dicks et al.
 2011/0292862 A1 12/2011 Shimizu
 2012/0004925 A1 1/2012 Braverman et al.
 2012/0034117 A1 2/2012 Pfouts et al.
 2012/0083735 A1 4/2012 Pfouts
 2012/0108917 A1 5/2012 Libbus et al.
 2012/0182143 A1 7/2012 Gaines et al.
 2012/0182894 A1 7/2012 Gaines et al.
 2012/0182924 A1 7/2012 Gaines et al.
 2012/0182927 A1 7/2012 Wiesner et al.
 2012/0184207 A1 7/2012 Gaines et al.
 2012/0184237 A1 7/2012 Gaines et al.
 2012/0185268 A1 7/2012 Wiesner et al.
 2012/0226768 A1 9/2012 Gaines et al.
 2012/0226771 A1 9/2012 Harrington et al.
 2012/0256751 A1 10/2012 Nallabelli et al.
 2012/0293323 A1 11/2012 Soomro
 2013/0015966 A1 1/2013 Soomro et al.
 2013/0021169 A1 1/2013 Soomro et al.
 2013/0022022 A1 1/2013 Schmitt
 2013/0066644 A1 3/2013 Dicks et al.
 2013/0071272 A1 3/2013 Juretich et al.
 2013/0147622 A1 6/2013 LaLonde et al.
 2013/0154851 A1 6/2013 Gaskill et al.
 2013/0162426 A1 6/2013 Wiesner et al.
 2013/0278414 A1 10/2013 Sprigg et al.
 2013/0310896 A1 11/2013 Mass
 2014/0009271 A1 1/2014 Collins et al.
 2014/0010691 A1 1/2014 Lanigan et al.

2014/0062718 A1 3/2014 LaLonde et al.
 2014/0135731 A1 5/2014 Breitweiser et al.
 2014/0142979 A1 5/2014 Mitsunga
 2014/0152466 A1 6/2014 Wiesner et al.
 2015/0073338 A1* 3/2015 Waldhoff A61M 5/14232
 604/66
 2015/0088058 A1* 3/2015 Harr A61M 5/14232
 604/67
 2015/0093307 A1* 4/2015 Gaines A61M 5/142
 422/554
 2016/0045399 A1* 2/2016 Wiesner A61J 15/0076
 604/516

FOREIGN PATENT DOCUMENTS

CA 2644695 C 9/2010
 CN 101601040 A 12/2009
 EP 2227063 B1 9/2010
 JP 2003109160 A 4/2003
 JP 2006520657 A 9/2006
 JP 2007531442 A 11/2007
 JP 2008108170 A 5/2008
 JP 2009535715 A 1/2009
 JP 2010524050 A 7/2010
 JP 2011502369 A 1/2011
 KR 1020080016458 B1 2/2008
 KR 1020090122968 B1 12/2009
 KR 1020100028318 A 3/2010
 WO 1994016617 A1 8/1994
 WO 1998014228 A1 4/1998
 WO 2003048919 A1 6/2003
 WO 2004070994 A2 8/2004
 WO 2004084720 A2 10/2004
 WO 2005057294 A1 6/2005
 WO 2005057834 A2 6/2005
 WO 2005098736 A2 10/2005
 WO 2007124091 A1 11/2007
 WO 2007127879 A2 11/2007
 WO 2008052034 A1 5/2008
 WO 2008097316 A1 8/2008
 WO 2009032134 A2 3/2009
 WO 2009063303 A1 5/2009

OTHER PUBLICATIONS

Response dated Jun. 29, 2015 to Office Action dated Apr. 2, 2015 in related U.S. Appl. No. 29/466,985, 5 pages.

* cited by examiner

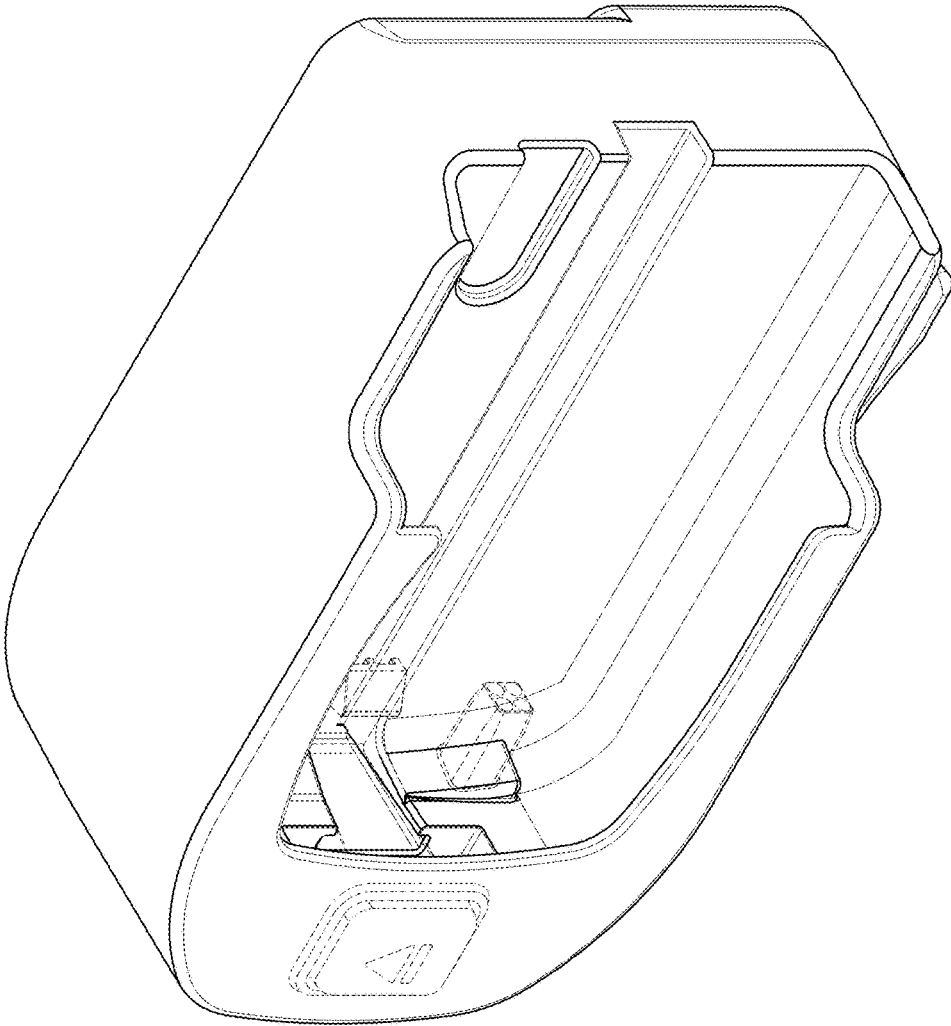


FIG. 1

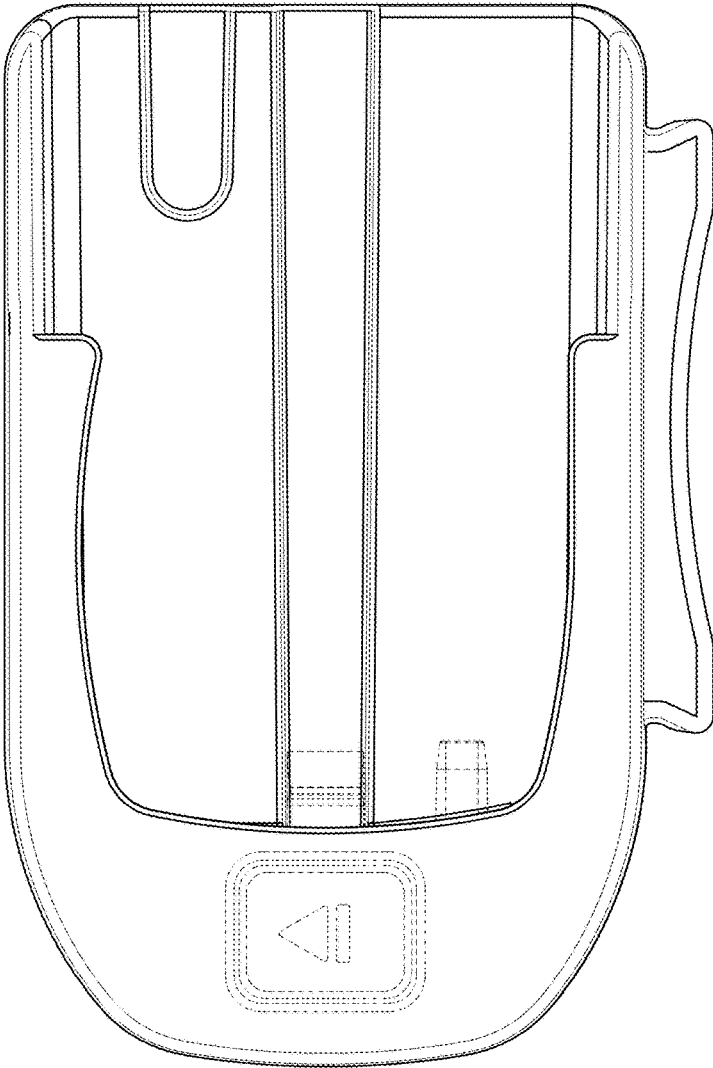
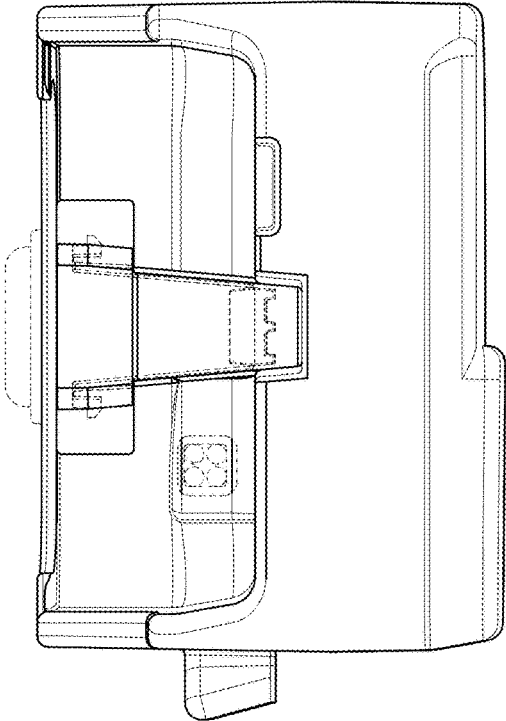


FIG. 2

FIG. 3



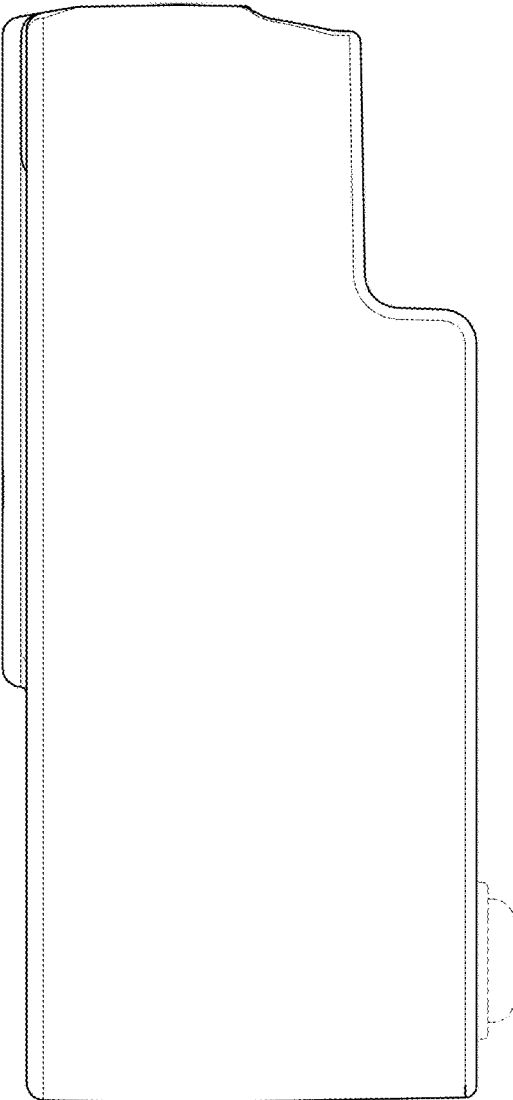
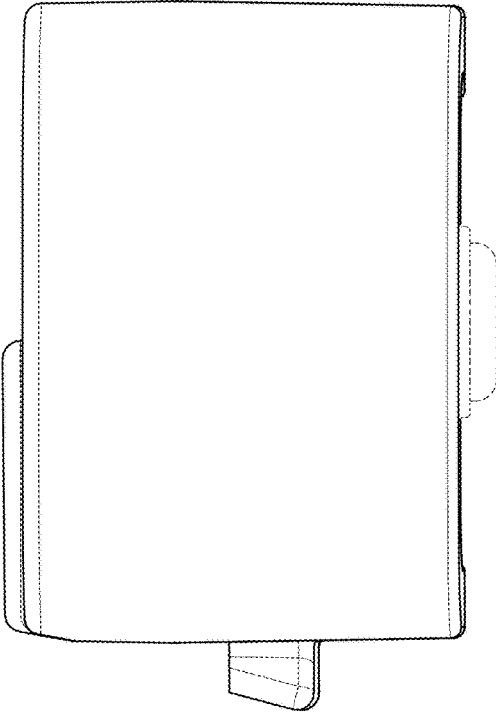


FIG. 4

FIG. 5



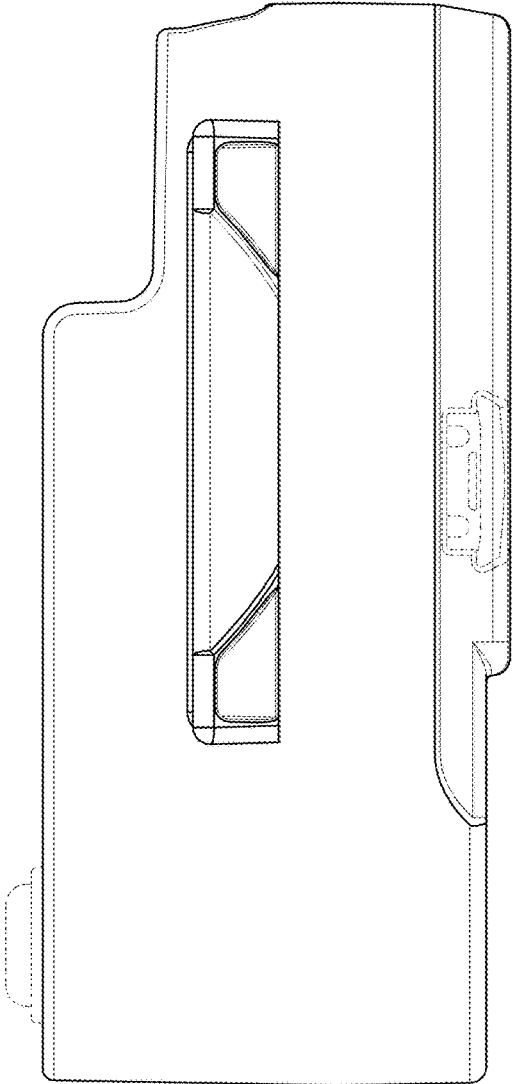


FIG. 6

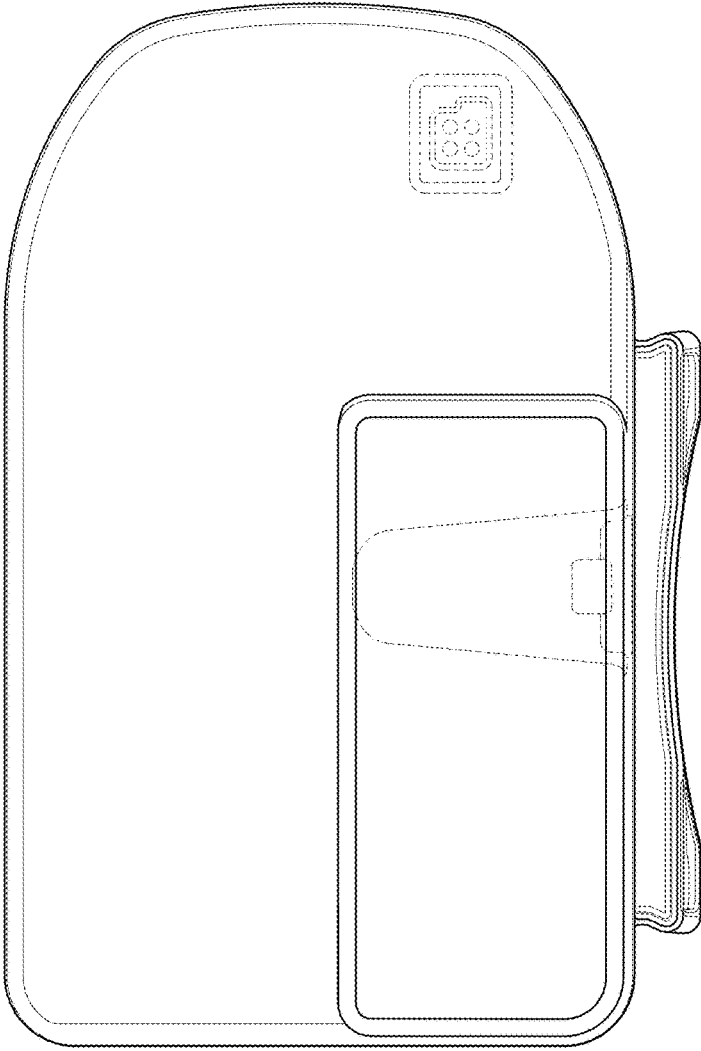


FIG. 7