

United States Patent [19]

Chowdhree et al.

[11] Patent Number: Des. 313,409

[45] Date of Patent: ** Jan. 1, 1991

[54] DIGITIZER FOR A GRAPHIC TABLET

[75] Inventors: **Mohammed K. Chowdhree**, Watford;
Hugo G. Poole, Knowle, both of
England

[73] Assignee: **Cherry Electrical Products Limited**,
England

[**] Term: **14 Years**

[21] Appl. No.: **403,331**

[22] Filed: **Sep. 6, 1989**

[30] Foreign Application Priority Data

Mar. 7, 1989 [GB] United Kingdom 1057684

[52] U.S. Cl. **D14/114**

[58] Field of Search D14/100, 114, 115;
D19/52, 86, 91; D13/158; D21/48; 178/18, 19;
248/44.1, 445-447; 340/306, 309, 707, 710;
D10/46; 364/403

[56]

References Cited

U.S. PATENT DOCUMENTS

D. 284,084	6/1986	Ferrara, Jr.	D14/114
D. 308,055	5/1990	Tedham et al.	D14/114
4,578,768	3/1986	Racine	178/18 X
4,697,048	9/1987	Clements et al.	178/18
4,745,241	5/1988	Furukawa et al.	178/18
4,782,448	11/1988	Milstein	364/403 X

Primary Examiner—Wallace R. Burke

Assistant Examiner—Freda S. Nunn

Attorney, Agent, or Firm—Howard L. Rose

[57]

CLAIM

The ornamental design for a digitizer for a graphic tablet, as shown and described.

DESCRIPTION

FIG. 1 is a top, front, left side perspective view of a digitizer for a graphic tablet showing our new design; FIG. 2 is a right side elevational view thereof on an enlarged scale;

FIG. 3 is a rear elevational view thereof on an enlarged scale;

FIG. 4 is a bottom plan view thereof on enlarged scale; FIG. 5 is a top, front, left side perspective view thereof with the document overlay partially raised.

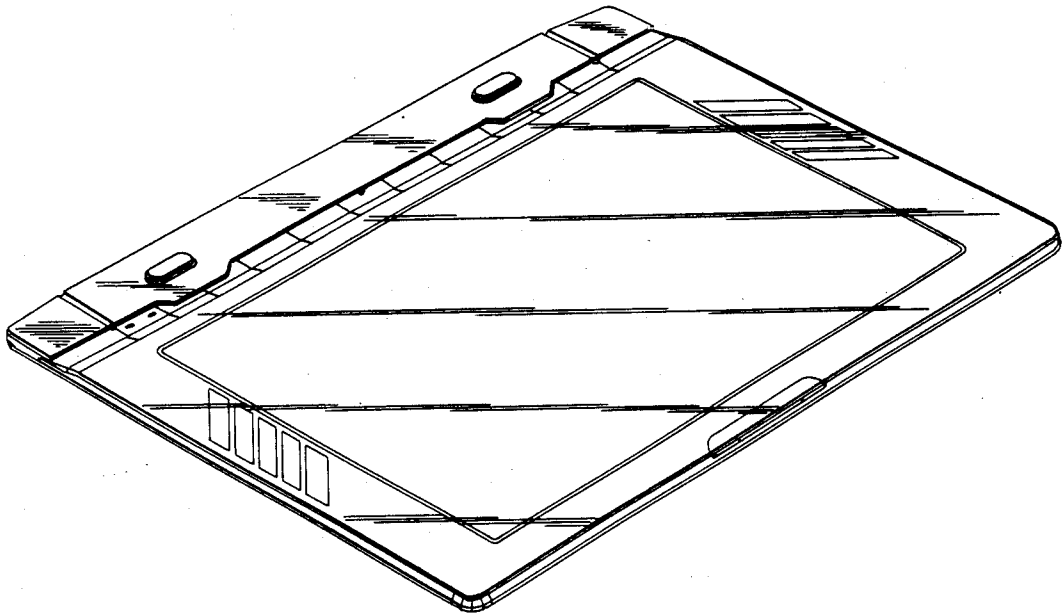


Fig. 1

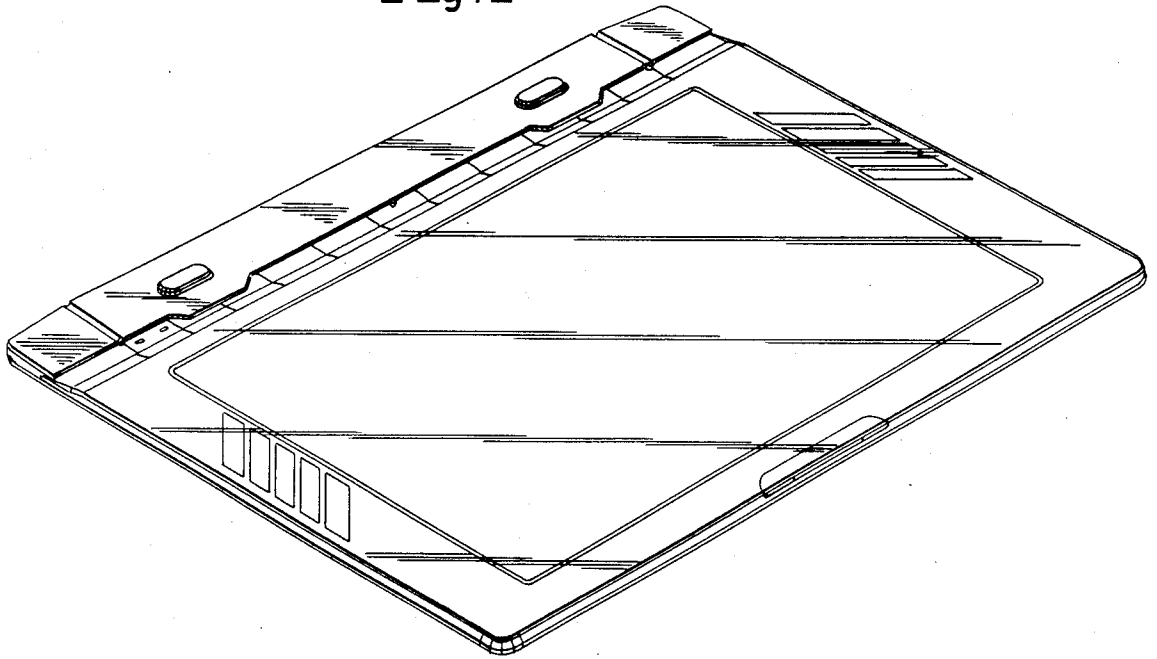


Fig. 5

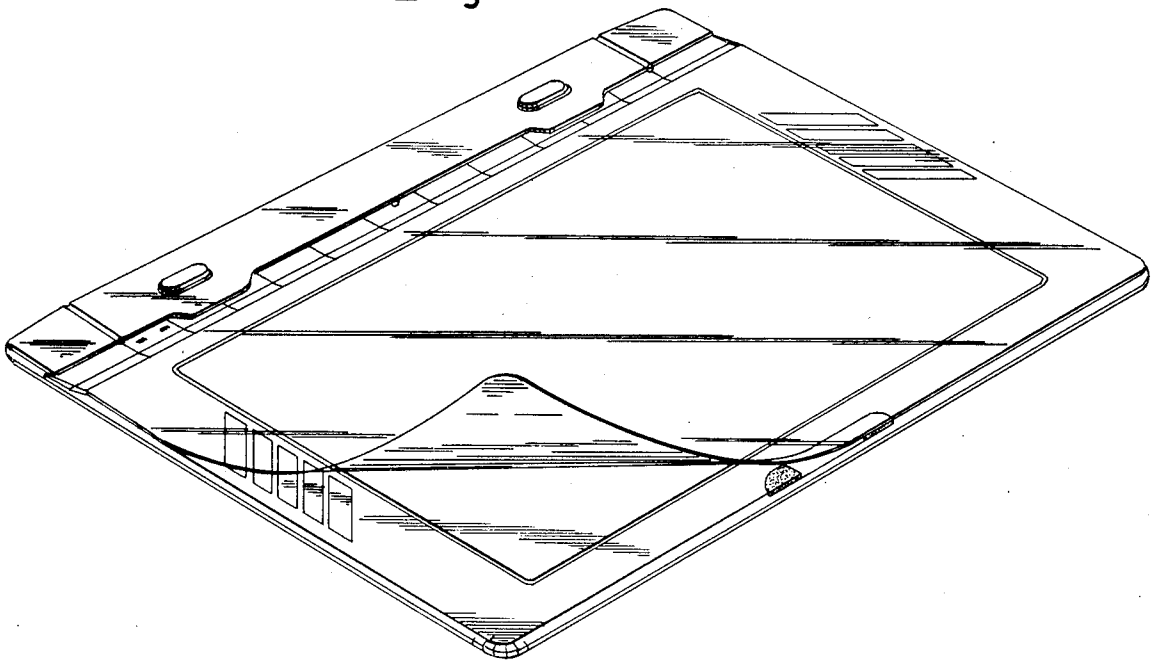


Fig. 2



Fig. 3

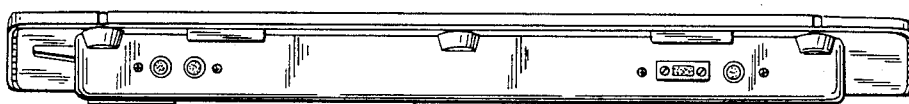


Fig. 4

