

CORRECTED VERSION

(19) World Intellectual Property Organization
International Bureau



(43) International Publication Date
3 April 2008 (03.04.2008)

PCT

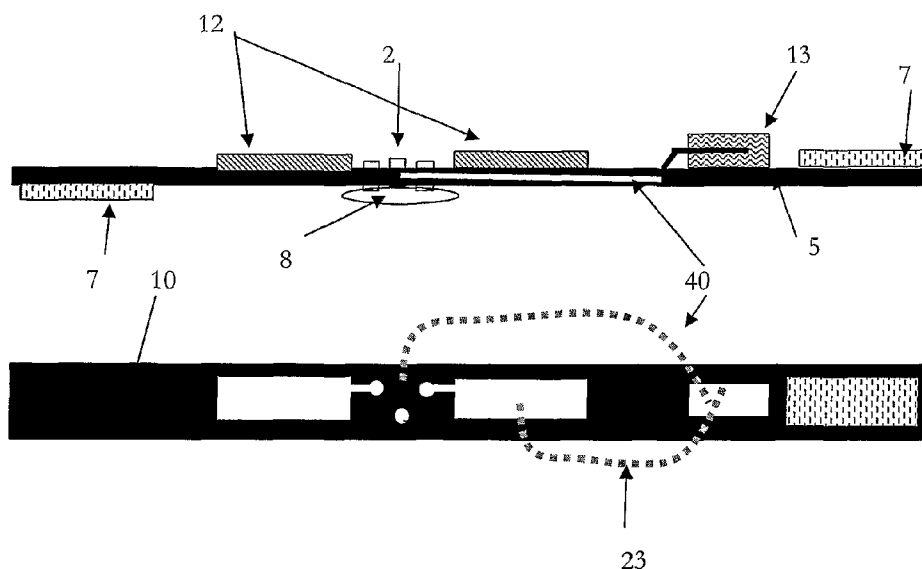
(10) International Publication Number
WO 2008/039082 A9

- (51) International Patent Classification:
A61B 5/0402 (2006.01) A61B 5/113 (2006.01)
A61B 5/00 (2006.01)
- (21) International Application Number:
PCT/NZ2007/000277
- (22) International Filing Date:
21 September 2007 (21.09.2007)
- (25) Filing Language: English
- (26) Publication Language: English
- (30) Priority Data:
2006905273 25 September 2006 (25.09.2006) AU
- (71) Applicant (for all designated States except US): ZEPHYR
TECHNOLOGY LIMITED [NZ/NZ]; 31 Carbine Road,
Mt Wellington, Auckland, 1060 (NZ).
- (72) Inventors; and
- (75) Inventors/Applicants (for US only): RUSSELL,
Brian, Keith [NZ/NZ]; 59 Opaheke Road, Papakura,
2113 (NZ). KENT, Stephen, Christopher [IE/NZ]; 51
Carisbrook Crescent, Papakura, Auckland, 2110 (NZ).
MALLINSON, Paul, Benjamin [GB/NZ]; 31 Tutaneikai
Street, Grey Lynn, Auckland, 1021 (NZ). SOLOMON,

- Christopher, Michael [GB/NZ]; 295 Mahia Road, Clendon,
Auckland, 2103 (NZ). CLOSE, Nicholas, Alistair
[GB/NZ]; 10 Corrie Hill, Torbay, North Shore City, 0630
(NZ).
- (74) Agents: ADAMS, Matthew, D et al.; A J Park, 6th Floor
Huddart Parker Building, PO Box 949, Wellington, 6015
(NZ).
- (81) Designated States (unless otherwise indicated, for every
kind of national protection available): AE, AG, AL, AM,
AT, AU, AZ, BA, BB, BG, BH, BR, BW, BY, BZ, CA, CH,
CN, CO, CR, CU, CZ, DE, DK, DM, DO, DZ, EC, EE, EG,
ES, FI, GB, GD, GE, GH, GM, GT, HN, HR, HU, ID, IL,
IN, IS, JP, KE, KG, KM, KN, KP, KR, KZ, LA, LC, LK,
LR, LS, LT, LU, LY, MA, MD, ME, MG, MK, MN, MW,
MX, MY, MZ, NA, NG, NI, NO, NZ, OM, PG, PH, PL,
PT, RO, RS, RU, SC, SD, SE, SG, SK, SL, SM, SV, SY,
TJ, TM, TN, TR, TT, TZ, UA, UG, US, UZ, VC, VN, ZA,
ZM, ZW.
- (84) Designated States (unless otherwise indicated, for every
kind of regional protection available): ARIPO (BW, GH,
GM, KE, LS, MW, MZ, NA, SD, SL, SZ, TZ, UG, ZM,
ZW), Eurasian (AM, AZ, BY, KG, KZ, MD, RU, TJ, TM),

[Continued on next page]

(54) Title: BIO-MECHANICAL SENSOR SYSTEM



(57) Abstract: The bio mechanical sensor system is disclosed that uses conductive fabric sensors to detect, monitor and record one or more physiological parameters of a person wearing a garment that incorporates the fabric sensors such as a body harness or strap for example, that is attached to a person. The physiological parameters that can be detected include a wearer's heart rate and respiration rate plus ambient temperature and body temperature for example. The garment has a monitoring device that is attached to the garment and used to receive the detected physiological data. A processing circuit within the monitoring device then processes the data and outputs the person's physiological data to a display device in a format characteristic of the person's heart rate and respiratory rate and/or outputs the data to a third party system for review and analysis.

WO 2008/039082 A9



European (AT, BE, BG, CH, CY, CZ, DE, DK, EE, ES, FI, FR, GB, GR, HU, IE, IS, IT, LT, LU, LV, MC, MT, NL, PL, PT, RO, SE, SI, SK, TR), OAPI (BF, BJ, CF, CG, CI, CM, GA, GN, GQ, GW, ML, MR, NE, SN, TD, TG).

(88) Date of publication of the international search report:
26 June 2008

(48) Date of publication of this corrected version:
2 July 2009

Published:

— *with international search report*

(15) Information about Correction:
see Notice of 2 July 2009

“BIO-MECHANICAL SENSOR SYSTEM”**TECHNICAL FIELD**

The present invention relates to a system and method for monitoring multiple bio mechanical parameters of an individual. More particularly, the present invention relates to a personal bio mechanical harness system that uses conductive fabric sensors to detect a number of physiological parameters for review and/or analysis using a third party system.

BACKGROUND ART

The monitoring of an individual's physiological parameters is a routine process in clinics and hospitals. Such monitoring generally requires the individual to lie down and have a number of adhesive type patches attached to a patient's chest area for example. Each of the patches are connected to monitoring equipment using electrical cables or leads enabling the individual's physiological parameters to be monitored, recorded and analysed for diagnostic purposes. It is generally preferable to attach up to 12 patches and associated leads to the individual in order to monitor and assess a patient's condition. A similar sort of system is used for monitoring a patient's electrocardiogram (ECG), requiring separate monitoring equipment to be used as well as separate patches and cables to be attached to the individual. As such, this type of physiological monitoring system is not practical for use in a portable mode and would be impractical to wear over a long period of time or to be used as a monitoring and analysis tool for individual's undertaking outdoor exercise type activities.

US6,783,493 to VivoMetrics Incorporated discloses an apparatus and method for extracting a cardiac signal from a plethysmographic signal which is responsive to at least one cardiac parameter using a non invasive monitoring technique. Electrocardiograph electrodes are attached to or embedded within a garment worn by the person being monitored. The garment provides a “close fit” to the patient's skin enabling the sensors to detect the expansion and contraction of the patient's chest for example, as they breathe. Because the cardiac signals of interest generally have a small signal amplitude and are usually obscured by considerably larger amplitude respiratory or other undesired signals, careful processing is required to extract useful cardiac information from the received signal. Furthermore, although this device has a number of systems incorporated within the jacket worn by the patient, this type of system is not conducive to athletes wishing to monitor their heart rate and/or ECG for a prolonged period due to the relative bulk of the jacket worn by the user.

It is an object of the present invention to provide improved bio-mechanical sensing system for detecting and measuring a person's physiological data, or at least to provide industry or the public with a useful choice.

In this specification if reference has been made to patent specifications, other external documents, or other sources of information, this is generally for the purpose of providing a context for discussing the features of the invention. Unless it is specifically stated otherwise, reference to such external documents is not to be construed as an admission that such documents, or such sources of information, in any jurisdiction, are prior art or form part of the common general knowledge in the art.

DISCLOSURE OF THE INVENTION

Accordingly, in a first aspect the present invention is said to consist in a bio-mechanical sensing system comprising:

a plurality of conductive fabric sensors integral with a garment and capable of sensing physiological data in an analogue signal format,

a plurality of connectors integral with said garment,

a monitoring device electrically connected to each of said plurality of conductive fabric sensors by at least one of said plurality of connectors, said monitoring device including:

a detection circuit used to receive as an input said physiological signal data detected by said plurality of fabric sensors, and

a processing circuit for processing and extrapolating said received physiological signal data into a readable digital data format characteristic of said physiological signal data.

Preferably, said monitoring device further includes a storage device for storing said digital data and a communications system for communicating said digital data to a third party system for analysis and/or storage of said digital data.

Preferably, said monitoring device further includes a user interface for outputting said digital data to a visual and/or audible output device for analysis and/or review by an individual.

Preferably, said plurality of conductive fabric sensors are used to sense a heart rate signal data and a respiratory rate signal data.

Alternatively, said plurality of conductive fabric sensors are used to sense a heart rate signal data and a respiratory rate signal data said bio-mechanical sensing system including at least one or more alternative sensor selected from the list comprising: a pressure sensor, a temperature sensor, a direction sensor or a movement sensor.

Preferably, said plurality of connectors are capable of carrying one or both of said heart rate signal data and said respiratory rate signal data detected by said plurality of conductive fabric sensors via said electrical connection to said monitoring device.

Preferably, said plurality of connectors are capable of carrying one or both of said heart rate signal data and said respiratory rate signal data detected by said plurality of conductive fabric sensors plus one or more of said alternative sensor inputs via said electrical connection to said monitoring device.

5 Preferably, at least one of said plurality of conductive fabric sensors is locatable such that said at least one conductive fabric sensor is a respiratory rate sensor.

Preferably, said plurality of conductive fabric sensors are formed of a material to provide a plurality of compression capacitive sensors.

10 Preferably, said plurality of compression capacitive sensors provide a means for measuring an amount of compression between a wearer's body and said garment.

Preferably, said compression capacitive sensors are each formed by at least an upper and a lower layer of conductive fabric material and having an inner layer therebetween of compressible non-conductive material and provides a means for measuring a change in a separation distance between an upper and a lower layer of each of said plurality of conductive fabric sensors.

15 Preferably, said monitoring device generates an AC signal.

Preferably, said AC signal varies with a wearer's thoracic or diaphragm diameter when said wearer inhales.

20 Preferably, at least one of said plurality of conductive fabric sensors is a capacitive fabric compression sensor formed by at least an inner layer and an outer layer of conductive fabric having a compressible non-conductive material between each of said layers of conductive fabric.

Preferably, said compressible non-conductive material deforms or compresses due to a wearer's thoracic or diaphragm diameter changing when said wearer inhales thereby decreasing a separation distance between said inner and said outer layer of said conductive fabric.

25 Preferably, at least one of said plurality of conductive fabric sensors is locatable such that said at least one conductive fabric sensor is a respiratory rate sensor and said respiratory rate sensor has a first terminal coupled to an AC ground within said monitoring device and a second terminal coupled to an AC signal having a high output resistance such that said respiratory rate sensor has an output characteristic equivalent to that provided by a variable capacitor.

30 Preferably, said change in thoracic or diaphragm diameter causes said AC signal to change in amplitude due to a change in capacitive coupling between said inner and said outer layer of conductive fabric due to said change in said separation distance.

Preferably, said processing circuit samples the amplitude of said AC signal to generate a digital respiration related waveform and data representative of said wearer's respiration rate for

storage in a storage device within said monitoring device and/or for output to a third party device.

Preferably, at least two of said plurality of conductive fabric sensors includes an electrical pad attached to or integral with one surface of each of said at least one of said plurality of conductive fabric sensors.

Preferably, said electrical pad abuts said wearer's skin surface and is electrically connected to said monitoring device.

Preferably, at least two of said plurality of conductive fabric sensors is locatable on said wearer's skin surface in a position such that said at least two of said plurality of conductive fabric sensors provide a heart rate sensing system.

Preferably, said processing circuit measures a change in a voltage between at least two of said electrical pads located on each side of an wearer's chest to generate a digital heart rate related waveform representative of said wearer's heart rate for storage in a storage device within said monitoring device and/or for output to a third party device.

Preferably, said compressible non-conductive material is constructed of an open cell foam type material.

Preferably, said layers of conductive fabric are formed from a stretchable and flexible fabric material.

Preferably, said plurality of conductive fabric sensors are substantially elastic enabling said plurality of conductive fabric sensors to stretch and conform to a wearer's body shape.

Preferably, said garment is selectable from the list comprising: a stretchable body harness or strap, a jacket type garment, a protective armour garment and an item of clothing for wearing on the upper body part of said user.

Preferably, said monitoring device includes a communications system and said communications system is a radio transmitter.

Alternatively, said monitoring device includes a communications system and said communications system includes a communications port.

Preferably, said communications port includes a wireless transmitter.

Alternatively, said communications port provides a user interface between a third party system and said monitoring device enabling said third party system to download said physiological signal data from said monitoring device to said third party system.

Preferably, said plurality of connectors provides a snap-fit type connection with said monitoring device.

Preferably, said plurality of connectors provide a serial interface connection between said garment and a third party system when said monitoring device is removed from said garment.

Preferably, said electrical connection to at least one of said plurality of connectors is made by at least one conductive thread.

Preferably, said monitoring device is a low power battery driven device.

In a second aspect the invention is said to consist in a garment used to sense a wearer's heart rate and respiratory rate comprising:

a stretchable harness system capable of attachment around a wearer's body using an attachment means,

a plurality of conductive fabric sensors integral with said stretchable harness system,

a plurality of connectors integral with said stretchable harness, and

a monitoring device electrically connected to each of said plurality of conductive fabric sensors by at least one of said plurality of connectors, said monitoring device including:

a detection circuit used to receive as an input a wearer's sensed heart rate signal and a wearer's respiratory rate signal detected by said plurality of fabric sensors, and

a processing circuit for processing and extrapolating said received heart rate and respiratory rate signals and processing said wearer's sensed heart rate signal and a wearer's respiratory rate signal into a digital signal data format characteristic of said wearer's sensed heart rate signal and a wearer's respiratory rate signal.

Preferably, said monitoring device further includes a storage device for storing said digital data and a communications system for communicating said digital data to a third party system for analysis and/or storage of said digital data.

Preferably, said monitoring device further includes a user interface for outputting said digital data to a visual and/or audible output device for analysis and/or review by an individual.

Alternatively, said plurality of conductive fabric sensors are used to sense a heart rate signal data and a respiratory rate signal data.

Preferably, said plurality of conductive fabric sensors are used to sense a heart rate signal data and a respiratory rate signal data said bio-mechanical sensing system including at least one or more alternative sensor selected from the list comprising: a pressure sensor, a temperature sensor, a direction sensor or a movement sensor.

Preferably, said plurality of connectors are capable of carrying one or both of said heart rate signal data and said respiratory rate signal data detected by said plurality of conductive fabric sensors via said electrical connection to said monitoring device.

Alternatively, said plurality of connectors are capable of carrying one or both of said heart rate signal data and said respiratory rate signal data detected by said plurality of conductive fabric sensors plus one or more of said alternative sensor inputs via said electrical connection to said monitoring device.

5 Preferably, at least one of said plurality of conductive fabric sensors is locatable such that said at least one conductive fabric sensor is a respiratory rate sensor.

Preferably, said plurality of conductive fabric sensors are formed of a material to provide a plurality of compression capacitive sensors.

10 Preferably, said plurality of compression capacitive sensors provide a means for measuring an amount of compression between a wearer's body and said garment.

Preferably, said compression capacitive sensors are each formed by at least an upper and a lower layer of conductive fabric material and having an inner layer therebetween of compressible non-conductive material and provides a means for measuring a change in a separation distance between said upper and said lower layer of each of said plurality of
15 conductive fabric sensors.

Preferably, said monitoring device generates an AC signal.

Preferably, said AC signal varies with the wearer's thoracic or diaphragm diameter when said wearer inhales.

20 Preferably, at least one of said plurality of conductive fabric sensors is a capacitive fabric compression sensor formed by at least an inner layer and an outer layer of conductive fabric having a compressible non-conductive material between each of said layers of conductive fabric.

Preferably, said compressible non-conductive material deforms or compresses due to a wearer's thoracic or diaphragm diameter changing when said wearer inhales thereby decreasing a separation distance between said inner and said outer layer of said conductive fabric.

25 Preferably, at least one of said plurality of conductive fabric sensors is locatable such that said at least one conductive fabric sensor is a respiratory rate sensor and said respiratory rate sensor has a first terminal coupled to an AC ground within said monitoring device and a second terminal coupled to an AC signal having a high output resistance such that said respiratory rate sensor has an output characteristic equivalent to that provided by a variable capacitor.

30 Preferably, said change in thoracic or diaphragm diameter causes said AC signal to change in amplitude due to a change in capacitive coupling between said inner and said outer layer of conductive fabric due to said change in said separation distance.

Preferably, said processing circuit samples the amplitude of said AC signal to generate a digital respiration related waveform and data representative of said wearer's respiration rate for

storage in a storage device within said monitoring device and/or for output to a third party device.

Preferably, at least two of said plurality of conductive fabric sensors includes an electrical pad attached to or integral with one surface of each of said at least one of said plurality of conductive fabric sensors.

Preferably, said electrical pad abuts said wearer's skin surface and electrically connected to said monitoring device.

Preferably, at least two of said plurality of conductive fabric sensors is locatable on a wearer's skin surface in a position such that said at least two of said plurality of conductive fabric sensors provide a heart rate sensing system.

Preferably, said processing circuit measures a change in a voltage between at least two of said electrical pads located on each side of a wearer's chest to generate a digital heart rate related waveform representative of a wearer's heart rate for storage in a storage device within said monitoring device and/or for output to a third party device.

Preferably, said compressible non-conductive material is constructed of an open cell foam type material.

Preferably, said layers of conductive fabric are formed from a stretchable and flexible fabric material.

Preferably, said plurality of conductive fabric sensors are substantially elastic enabling said plurality of conductive fabric sensors to stretch and conform to a wearer's body shape.

Preferably, said stretchable harness system is attached to or integral with and selectable from the list comprising: a body harness or strap, a torso band, a jacket type garment, a protective armour garment and an item of clothing for wearing on the upper body part of said user.

Preferably, said monitoring device includes a communications system and said communications system is a radio transmitter.

Alternatively, said monitoring device includes a communications system and said communications system includes a communications port.

Preferably, said communications port includes a wireless transmitter.

Alternatively, said communications port provides a user interface between a third party system and said monitoring device enabling said third party system to download a wearer's sensed heart rate signal data and respiratory rate signal data from said monitoring device to said third party system.

Preferably, said plurality of connectors provides a snap-fit type connection with said monitoring device.

Preferably, said plurality of connectors provide a serial interface connection between said stretchable harness system and a third party system when said monitoring device is removed from said stretchable harness system.

5 Preferably, said electrical connection to at least one of said plurality of connectors is made by at least one conductive thread.

Preferably, said monitoring device is a low power battery driven device.

Preferably, said attachment means is selectable from the list including; a Velcro strap type of attachment, a hook and eye type attachment, a snap-fit type of attachment or a press-fit type attachment.

10

To those skilled in the art to which the invention relates, many changes in construction and widely differing embodiments and applications of the invention will suggest themselves without departing from the scope of the invention as defined in the appended claims. The disclosures and the descriptions herein are purely illustrative and are not intended to be in any sense limiting.

15

The term 'comprising' as used in this specification and claims means 'consisting at least in part of', that is to say when interpreting statements in this specification and claims which include that term, the features, prefaced by that term in each statement, all need to be present but other features can also be present.

20

The invention consists in the foregoing and also envisages constructions of which the following gives examples only.

BRIEF DESCRIPTION OF THE DRAWINGS

25 The present invention will now be described with reference to the accompanying drawings in which:

Figure 1 is a block diagram of the bio-mechanical sensor system of the present invention.

Figure 2 is a sectional view and top view of the bio-mechanical harness used in the bio-mechanical sensor system of Figure 1.

30

Figure 3 is a cross-sectional view of the conductive fabric sensor using a compression sensor mechanism as applied to the bio-mechanical harness of Figure 2.

Figure 4 is a cross-sectional view of the conductive fabric sensor using a stretchable capacitive sensor mechanism as applied to the bio-mechanical harness of Figure 2.

Figure 5 is a graphic output of a user's heart rate and respiratory rate on a third party system that has been downloaded from the bio-mechanical sensor system of Figure 1.

Figure 6 is a block diagram of the electronic circuit for measuring a user's heart rate as applied to the bio-mechanical sensor system of Figure 1.

5 **Figure 7** is a block diagram of the electronic circuit for measuring a user's respiratory rate as applied to the bio-mechanical sensor system of Figure 1.

DESCRIPTION OF THE PREFERRED EMBODIMENTS OF THE INVENTION

10 The bio mechanical sensor system of the present invention can be used in ambulatory monitoring, emergency room situations, in the home or even be used whilst exercising. The system provides a means of sensing, monitoring and recording an individual's physiological parameters such as their heart rate, respiration rate, ambient temperature and body temperature using a wearable garment such as a single body harness or strap attached to the individual. The list of sensor types that can be incorporated into the body harness may also include non-
15 physiological sensors such as pressure sensors for sensing altitude changes, a flux gate compass for sensing an individual's direction of travel or an accelerometer to measure angle of orientation and activity. Whilst a number of sensing mechanisms have been mentioned these are in no way limiting as the sensing system can be used in a wide variety of environments and for a wide variety of purposes.

20

Conductive Fabric Sensors

A preferred embodiment of the bio mechanical sensing system 1 of the present invention is shown in Figure 1. The sensing device 1 preferably combines the measurement of both ECG and respiration through a shared connector scheme 2 using a number of conductive
25 fabric sensors 12, 13 integral with a wearable garment 5 such as a body harness, torso band, jacket type garment or even protective armour. A preferred form of the wearable garment 5 is shown in Figure 2. The wearable garment 5 is preferably a harness or strap type configuration that attaches around the circumference of the individual user's chest area 6. The strap 5 has two ends that are attached to each other to form a band using an attachment mechanism 7 such as
30 Velcro attachments, press-fit or snap-fit type attachments. The electronic sensor processing and monitoring device 8 is attached using preferably three snap-fit type connectors 2 that are integral with a portion of the strap 5, preferably in close proximity to the user's sternum when the strap 5 is attached around the user's chest 6. These connections 2 provide an electrical connection between the conductive fabric sensors 12, 13 and the electronic processing device 8 using an

internal conductive fabric connection 40. Whilst it is preferable to use three snap-fit electrical connectors 2, the use of two connectors may also be used. Furthermore, the system 1 can use four connectors, two connectors can carry heart rate/ECG signal data whilst the second two connectors can carry respiratory rate signal data. The electronic processing device 8 is attached to the front surface 9 of the strap 5 whereas the conductive fabric sensors 12 are located on the opposite (rear) surface 10 of the strap 5 such that they are in contact with the user's chest 6.

It has been found that the use of three electrical connectors 2 is preferable as the weight of the strap or band 5 is reduced and provides increased comfort for the wearer. Furthermore, the design of the conductive fabric sensors 12, 13 is such that signal interference between the ECG waveform and movement of the individual from muscle nerves and skin-sensor resistance changes is limited.

Respiration Measurement

The conductor fabric sensors 13 are provided in a layered configuration within or on the surface of the strap or garment 5 as shown in Figures 3 and 4. Between each layer of conductive fabric 3, is a compressible non-conductive material 11 such as open cell polyethylene foam. This configuration provides a fabric compression sensor 13. The compression sensor 13 is manufactured to be an integral part of the wearable garment 5 and is configured such that the conductive fabric sensor 13 is flexible, formable and made from a stretchable elastic type material. The compression of the foam 11 in the fabric sensor material is less than the elasticity of the material used for the construction of the remainder of the wearable garment 5. For example, were the conductive fabric sensors 13, 18 are integral with a strap or band 5, the conductive sensors 13, 18 are located within the band 5 at strategic positions within the band 5 to enable the individual's respiration rate, for example, to be monitored. The remainder of the band 5 located around the wearers body or chest 6 is made of an elastic material that is less elastic than the conductive fabric sensor material 13, 18 to ensure the band 5 is comfortable when worn.

With reference to the compression fabric sensor 13 as shown in Figure 3, when the individual inhales, their diaphragm expands forcing the compression sensors 12 to change shape by compressing the conductive fabric 3 and compressible material 11 thereby decreasing the distance between the fabric layers 3 as a result of the increased diameter of the individual's diaphragm. The amount of compression sensor 13 deformation is constrained by the elasticity of the band 5 around the individual's chest 6. Hence, the change in compression between the conductive fabric and compressible material layers 3, 11 causes a change in the electric field coupling (capacitance) between the conductive fabric layers 3 that can be detected and measured

by the electronic sensing and monitoring device 8 connected to the band 5. This type of system is a compression capacitive sensing system 13.

Whilst compression sensors are preferred, it is also possible to measure respiration by sensing variations in the individual's bio mechanical status by using a layered conductive fabric sensing system 18 that is layered with a non-compressible material 14 located between each of the conductive fabric sensor layers 4 as shown in Figure 4. For this type of fabric sensor it is preferable to have sensor fabric layers 4 grouped into two sets of sensing layers 15, 16 allowing for the capacitive sense signal variation between two plates or layers 41 to be determined. One end of the sensor fabric layer set is attached or fixed to the elastic strap or band (for example) and the second fabric layer set 16 has one end fixed at one end of the band 5 with the inner ends of each fabric layer set 15 being "unattached" and therefore moveable with respect to each other. For this type of configuration, the sensor system 18 measures the stretch of the band 5 during inhalation by measuring the variation in electric field coupling (capacitance) between each of the two sensor sets 15, 16 at either end of the conductive fabric layer 4. This type of system is a stretchable capacitive sensing system 18.

The strap or band 5 of the present invention can incorporate both the compression and stretchable capacitive sensors 13, 18 within a single strap or band 5. The portable monitoring and sensing device 8, interfaced to the sensors 13, 18 via the electrical connectors 2 on the strap 5, then uses electronic circuitry within the monitoring device 8 and the microcontroller 17 applies a number of algorithms to discriminate and measure the individual's bio-mechanical parameters sensed by the each of the sensor types 13, 18.

Whilst it is preferable that the non-conductive materials 4, 11 used between the conductive fabric layers 3, 4 are made of a stretchable type material, they can alternatively be made of a non-stretchable material. If non-stretchable material is to be used it is necessary to use elastic attachments to each of the conductive fabric layers 3, 4 to provide a means of constricting the fabric sensors 13, 18 back to their original shape and configuration when the individual exhales thereby decreasing their thoracic diameter. As such, the compression capacitive sensing system 13 measures the compression between the individual's chest or body 6 and the material chest strap or band 5. The stretchable capacitive sensing system 18 on the other hand uses conductive fabric layers 4 and measures the overlap of the conductive fabric sensor surfaces which are the distances.

Sensor Processing and Monitoring Device

Each of the fabric sensors 12, 13 located within the wearable garment 5 are electrically connected to an electronic sensor processing and monitoring device 8 by a number of connectors 2 as discussed above. It is general common knowledge that due to the signal characteristics and noise carried within ECG/respiratory rate type signals it is preferable to utilise separate bio-mechanical sensors and cables when measuring an individual's ECG and heart rate. The present invention however, provides processing and electronic circuitry within the sensor processing device 8 that enables preferably two or three electrical connectors 2 to be used for carrying an individual's ECG and respiratory rate signals from the fabric sensors 12, 13 to the processing device 8 without interference between the signals. Hence the device shares connectors 2 for both ECG and respiratory signals.

The electronic processing and monitoring device 8 provides a circuit that can be used to measure respiration as a result of increased pressure between conductive fabric layers 4 during inhalation whilst at the same time measuring the user's skin voltage using the compression sensors 12, due to cardiac response. As an ECG signal 20, as shown in Figure 5, is a low frequency signal, the ECG amplifier 21 exhibits a low pass frequency response. The breathing/respiratory rate sensor 13 uses an AC signal generated by the processing device 8 and driven within a controlled high output resistance. Thus a breathing rate signal 22 is of a higher frequency than the ECG circuit sensitivity and as such is ignored by the ECG circuit as shown in Figure 6. The breathing rate sensor 13 acts as a variable capacitor which has one terminal coupled to AC ground 23 and the other terminal attached to the high impedance drive signal 24. The AC ground 23 is the common mode point of the ECG signal coupled through the skin or a resistor (not shown) within the monitoring device 8. As a result, the respiration circuit of Figures 1 and 7 only needs one connector 2 compared with the ECG's two connectors 2 as the ECG circuit acts as the respiration sensor to ground. The AC signal between the high impedance AC signal and the variable capacitor varies with the thoracic or diaphragm expansion during inhalation. The AC signal amplitude is sampled by the microcontroller 17 within the processing device 8 to provide the respiration related waveform 22. A typical output of the ECG waveform 20 and corresponding heart rate in numerical form 25 is shown in Figure 5 whereby the ECG frequency range is in the order of 150Hz whilst the capacitive or respiratory rate sensing is performed at a frequency in the range of 33kHz shown by the different respiratory waveform 22 and corresponding respiratory rate in numerical form 26. The AC ground of the respiration circuit 31 can be achieved by using the conductive path of the user's skin 23 as a connection to the ECG circuit 30. This enables a minimum number of connectors 2 to be used enabling a smaller, lighter and less obtrusive device 8 to be attached to the strap 5.

The heart rate sensors 12 use standard ECG type signals to measure the voltage across the chest 5. Two conductive fabric patches 12 with integral electric pads are placed on the individual such that the electric pads abut the individual's skin surface. These pads are used to measure heart rate and positioned with one on the front left of the chest 6 and one on the front right hand side of the chest 5. A third sensor 13 is placed to the side of the chest 6 to measure respiration. This third sensor 13 can be combined within the ECG sensors 12. It has been found that one of the problems with this type of device is that any form of mechanical movement generates a large noise signal. During active exercise the ECG signal can include increased noise signals due to the variation in sensor-skin contact as well as other issues associated with the movement of the individual. However, it has been found that using the conductive fabric configuration of the present invention overcomes a substantial amount of the noise signal generated. Furthermore, by adding further padding between the fabric sensor 12, 13 and the elastic body band 5 to which the fabric sensors 12, 13 are attached has enabled movement aberrations to be isolated.

The processing device 8 is a low power device that is powered by batteries 36 and can be switched on using a manual switch (not shown) located on the device 8. Alternatively, the device 8 can be turned on automatically when the processing device 8 receives respiratory signals (when the individual puts on the wearable garment and breathes), by sensing skin conductivity or even by sensing the individual's movement. Each of these "turn-on" configurations can be set at the time of manufacture or alternatively at a later stage using the third party system and software to interface with the portable electronic sensing device 8.

The circuit uses a differential amplifier with feedback to filter out any input noise signals whilst at the same time detecting a pulse signal from the ECG waveform. This signal is then converted by the analogue to digital converter (ADC) 32 before being processed by the microcontroller 17. Respiration sensing is performed by using the microcontroller crystal (not shown) to provide a sinewave reference source signal and driving one of the conductive fabric sensing layers through a large resistance, such as 100kOhms, whilst the remainder of the conductive fabric sensing layers are connected to the AC ground. Hence, the change in the conductive fabric sensing layer capacitance will alter the peak to peak sinewave signal input to the resistor. This sinewave signal provides an input to the microcontroller 17 to drive the microcontroller 17 and to enable synchronous sampling to be undertaken by the on-board ADC 32. A software algorithm residing within the microcontroller 17 performs peak to peak analysis on the received sinewave signal input to remove any DC signals which will occur due to initial garment fitting and ECG related noise. Once these signals and other sensor inputs are

determined the rate (either pulses per minute or breaths per minute) is extrapolated and calculated by a software frequency locked loop (FLL) 33 . The loop response of the FLL 33 can have rules to allow for high signal to noise ratios and periods where no signal is received thereby giving a continuous rate output. These numbers are either stored in memory 34 within the processing device 8 for transmission or communication via the transmitter 35 to a third party system (not shown) at a later date. Alternatively, the data can be transmitted, preferably wirelessly using a radio transmitting device 35, in real time to a scientific medical instrument or other third party device to be logged and the received data analysed. This can be achieved by the user interfacing with the sensor processing device 8 over communications link 35 using a software program residing in the third party system to activate the data download from the device 8 to the third party system to enable the third party system to be used to configure, view and analyse the bio-mechanical data. Alternatively, the interfacing is achieved by using the electrical connectors 2 used to attach the sensor monitoring device 8 to the strap or band 5. When the device 8 is removed from the band 5, the connectors 2 can be used for serial communication with a third party system (not shown). Additionally, the same connectors 2 can be used to charge an internal rechargeable battery 36.

Data Processing Circuitry

Figures 6 and 7 show a block diagram of the processing circuitry 30, 31 used to receive and extract heart rate and respiration rate data 25, 26 respectively from the signal inputs received from the conductive fabric sensors 12, 13. The circuitry 30, 31 is driven by the microcontroller software using time domain filtering techniques coupled with frequency locked loop computational algorithms to convert analogue heart rate and respiratory signals into useable and meaningful digital formats for storage and/or output to a third party system. The third party system (not shown) subsequently converts the digital data to a numerical and graphic output display device for analysis and review by a medical professional for example.

Optional Features

The bio-mechanical sensor system 1 is used to monitor heart rate and respiratory rates of the user. However, as already mentioned, other sensors can be incorporated into the wearable garment 5. Examples of sensors and features that can be monitored are as follows:
Movement measurement devices such as solid state accelerometers, solid state gyroscopes, mechanical vibration switches or piezo-electric movement detectors.

A temperature sensor to measure ambient and body temperature such as thermister or infra-red pickup semiconductor device. This device is thermally coupled to one of the electrical connectors as this is the best position to pick up skin temperature.

Pressure sensors to measure altitude using devices such as piezo bridges.

5 A flux gate compass for direction sensing.

A combination of sensors such as compass and pressure based altitude plus accelerometer based cadence can be used to dead reckon the distance and height travelled by the individual.

Multiple compression sensors can be used and can be positioned on the left and right side of the individual's torso to measure left-right differences. This type of system would provide feedback
10 on the difference between the left and right sides of the body when an individual has suffered a stroke for example.

Multiple wearable sensor garments or bands can be worn vertically down the individual's torso to determine for example upper (apical) verses lower (diaphragm) breathing differences and patterns.

15 The device can use the movement of the body and the compression of the band to extract energy and contribute to the power supply of the device. A device such as a magneto device, piezo-mass device or similar can be used to achieve this type of functionality.

The device can use the thermal difference between the body to generate power. This can be by way of semiconductor device located within the sensor processing device having the correct
20 properties or thermal cycle engines alternatively heating and cooling.

The low power bio-mechanical sensing system 1 of the present invention provides a lightweight wearable device that can be used in a broad range of environments and conditions to provide information and feedback on a number of the user's physiological parameters. The portability and usability of the device in a broad range of environments has been achieved by
25 providing a system that shares connectors 2 through which at least two different sensed signals 20, 22 can be carried coupled with a processing system that is capable of discriminating between these signals to provide a digital output indicative of the sensed signals.

WHAT WE CLAIM IS:

1. A bio-mechanical sensing system comprising:
a plurality of conductive fabric sensors integral with a garment and capable of sensing
5 physiological data in an analogue signal format,
a plurality of connectors integral with said garment,
a monitoring device electrically connected to each of said plurality of conductive fabric
sensors by at least one of said plurality of connectors, said monitoring device including:
a detection circuit used to receive as an input said physiological signal data
10 detected by said plurality of fabric sensors, and
a processing circuit for processing and extrapolating said received physiological
signal data into a readable digital data format characteristic of said physiological signal data.
2. A bio-mechanical sensing system according to claim 1 wherein said monitoring device
15 further includes a storage device for storing said digital data and a communications system for
communicating said digital data to a third party system for analysis and/or storage of said digital
data.
3. A bio-mechanical sensing system according to claim 1 or claim 2 wherein said
20 monitoring device further includes a user interface for outputting said digital data to a visual
and/or audible output device for analysis and/or review by an individual.
4. A bio-mechanical sensing system according to any one of claims 1 to 3 wherein said
25 plurality of conductive fabric sensors are used to sense a heart rate signal data and a respiratory
rate signal data.
5. A bio-mechanical sensing system according to any one of claims 1 to 3 wherein said
plurality of conductive fabric sensors are used to sense a heart rate signal data and a respiratory
rate signal data said bio-mechanical sensing system including at least one or more alternative
30 sensor selected from the list comprising: a pressure sensor, a temperature sensor, a direction
sensor or a movement sensor.
6. A bio-mechanical sensing system according to claim 4 or claim 5 wherein said plurality
of connectors are capable of carrying one or both of said heart rate signal data and said

respiratory rate signal data detected by said plurality of conductive fabric sensors via said electrical connection to said monitoring device.

7. A bio-mechanical sensing system according to claim 5 wherein said plurality of
5 connectors are capable of carrying one or both of said heart rate signal data and said respiratory rate signal data detected by said plurality of conductive fabric sensors plus one or more of said alternative sensor inputs via said electrical connection to said monitoring device.
8. A bio-mechanical sensing system according to any one of claims 1 to 7 wherein at least
10 one of said plurality of conductive fabric sensors is locatable such that said at least one conductive fabric sensor is a respiratory rate sensor.
9. A bio-mechanical sensing system according to any one of claims 1 to 8 wherein said
15 plurality of conductive fabric sensors are formed of a material to provide a plurality of compression capacitive sensors.
10. A bio-mechanical sensing system according to claim 9 wherein said plurality of
compression capacitive sensors provide a means for measuring an amount of compression
between a wearer's body and said garment.
20
11. A bio-mechanical sensing system according to claim 9 or claim 10 wherein said
compression capacitive sensors are each formed by at least an upper and a lower layer of
conductive fabric material and having an inner layer therebetween of compressible non-
conductive material and provides a means for measuring a change in a separation distance
25 between an upper and a lower layer of each of said plurality of conductive fabric sensors.
12. A bio-mechanical sensing system according to any one of claims 1 to 11 wherein said
monitoring device generates an AC signal.
- 30 13. A bio-mechanical sensing system according to claim 12 wherein said AC signal varies
with a wearer's thoracic or diaphragm diameter when said wearer inhales.
14. A bio-mechanical sensing system according to any one of claims 1 to 13 wherein at least
one of said plurality of conductive fabric sensors is a capacitive fabric compression sensor

formed by at least an inner layer and an outer layer of conductive fabric having a compressible non-conductive material between each of said layers of conductive fabric.

15. A bio-mechanical sensing system according to claim 14 wherein said compressible non-conductive material deforms or compresses due to a wearer's thoracic or diaphragm diameter changing when said wearer inhales thereby decreasing a separation distance between said inner and said outer layer of said conductive fabric.
16. A bio-mechanical sensing system according to any one of claims 1 to 14 wherein at least one of said plurality of conductive fabric sensors is locatable such that said at least one conductive fabric sensor is a respiratory rate sensor and said respiratory rate sensor has a first terminal coupled to an AC ground within said monitoring device and a second terminal coupled to an AC signal having a high output resistance such that said respiratory rate sensor has an output characteristic equivalent to that provided by a variable capacitor.
17. A bio-mechanical sensing system according to claim 14 or claim 15 wherein said change in thoracic or diaphragm diameter causes said AC signal to change in amplitude due to a change in capacitive coupling between said inner and said outer layer of conductive fabric due to said change in said separation distance.
18. A bio-mechanical sensing system according to claim 17 wherein said processing circuit samples the amplitude of said AC signal to generate a digital respiration related waveform and data representative of said wearer's respiration rate for storage in a storage device within said monitoring device and/or for output to a third party device.
19. A bio-mechanical sensing system according to any one of claims 1 to 18 wherein at least two of said plurality of conductive fabric sensors includes an electrical pad attached to or integral with one surface of each of said at least one of said plurality of conductive fabric sensors.
20. A bio-mechanical sensing system according to claim 19 said electrical pad abuts said wearer's skin surface and is electrically connected to said monitoring device.
21. A bio-mechanical sensing system according to any one of claims 1 to 20 wherein at least two of said plurality of conductive fabric sensors is locatable on said wearer's skin surface in a

position such that said at least two of said plurality of conductive fabric sensors provide a heart rate sensing system.

22. A bio-mechanical sensing system according to any one of claims 19 to 21 wherein said
5 processing circuit measures a change in a voltage between at least two of said electrical pads
located on each side of an wearer's chest to generate a digital heart rate related waveform
representative of said wearer's heart rate for storage in a storage device within said monitoring
device and/or for output to a third party device.
- 10 23. A bio-mechanical sensing system according to any one of claims 14 to 22 wherein said
compressible non-conductive material is constructed of an open cell foam type material.
24. A bio-mechanical sensing system according to any one of claims 14 to 23 wherein said
layers of conductive fabric are formed from a stretchable and flexible fabric material.
- 15 25. A bio-mechanical sensing system according to any one of claims 1 to 24 wherein said
plurality of conductive fabric sensors are substantially elastic enabling said plurality of conductive
fabric sensors to stretch and conform to a wearer's body shape.
- 20 26. A bio-mechanical sensing system according to any one of claims 1 to 25 wherein said
garment is selectable from the list comprising: a stretchable body harness or strap, a jacket type
garment, a protective armour garment and an item of clothing for wearing on the upper body
part of said user.
- 25 27. A bio-mechanical sensing system according to any one of claims 1 to 26 wherein said
monitoring device includes a communications system and said communications system is a radio
transmitter.
28. A bio-mechanical sensing system according to any one of claims 1 to 26 wherein said
30 monitoring device includes a communications system and said communications system includes a
communications port.
29. A bio-mechanical sensing system according to claim 28 wherein said communications
port includes a wireless transmitter.

30. A bio-mechanical sensing system according to claim 28 wherein said communications port provides a user interface between a third party system and said monitoring device enabling said third party system to download said physiological signal data from said monitoring device to said third party system.
31. A bio-mechanical sensing system according to any one of claims 1 to 30 wherein said plurality of connectors provides a snap-fit type connection with said monitoring device.
32. A bio-mechanical sensing system according to any one of claims 1 to 31 wherein said plurality of connectors provide a serial interface connection between said garment and a third party system when said monitoring device is removed from said garment.
33. A bio-mechanical sensing system according to any one of claims 1 to 32 wherein said electrical connection to at least one of said plurality of connectors is made by at least one conductive thread.
34. A bio-mechanical sensing system according to any one of claims 1 to 33 wherein said monitoring device is a low power battery driven device.
35. A garment used to sense a wearer's heart rate and respiratory rate comprising:
a stretchable harness system capable of attachment around a wearer's body using an attachment means,
a plurality of conductive fabric sensors integral with said stretchable harness system,
a plurality of connectors integral with said stretchable harness, and
a monitoring device electrically connected to each of said plurality of conductive fabric sensors by at least one of said plurality of connectors, said monitoring device including:
a detection circuit used to receive as an input a wearer's sensed heart rate signal and a wearer's respiratory rate signal detected by said plurality of fabric sensors, and
a processing circuit for processing and extrapolating said received heart rate and respiratory rate signals and processing said wearer's sensed heart rate signal and a wearer's respiratory rate signal into a digital signal data format characteristic of said wearer's sensed heart rate signal and a wearer's respiratory rate signal.

36. A garment according to claim 35 wherein said monitoring device further includes a storage device for storing said digital data and a communications system for communicating said digital data to a third party system for analysis and/or storage of said digital data.

5 37. A garment according to claim 35 or claim 37 wherein said monitoring device further includes a user interface for outputting said digital data to a visual and/or audible output device for analysis and/or review by an individual.

38. A garment according to any one of claims 35 to 37 wherein said plurality of conductive
10 fabric sensors are used to sense a heart rate signal data and a respiratory rate signal data.

39. A garment according to any one of claims 35 to 37 wherein said plurality of conductive fabric sensors are used to sense a heart rate signal data and a respiratory rate signal data said bio-mechanical sensing system including at least one or more alternative sensor selected from the list
15 comprising: a pressure sensor, a temperature sensor, a direction sensor or a movement sensor.

40. A garment according to claim 38 or claim 39 wherein said plurality of connectors are capable of carrying one or both of said heart rate signal data and said respiratory rate signal data detected by said plurality of conductive fabric sensors via said electrical connection to said
20 monitoring device.

41. A garment according to claim 39 wherein said plurality of connectors are capable of carrying one or both of said heart rate signal data and said respiratory rate signal data detected by said plurality of conductive fabric sensors plus one or more of said alternative sensor inputs via
25 said electrical connection to said monitoring device.

42. A garment according to any one of claims 35 to 41 wherein at least one of said plurality of conductive fabric sensors is locatable such that said at least one conductive fabric sensor is a respiratory rate sensor.
30

43. A garment according to any one of claims 35 to 42 wherein said plurality of conductive fabric sensors are formed of a material to provide a plurality of compression capacitive sensors.

44. A garment according to claim 43 wherein said plurality of compression capacitive sensors provide a means for measuring an amount of compression between a wearer's body and said garment.

5 45. A garment according to claim 43 or claim 44 wherein said compression capacitive sensors are each formed by at least an upper and a lower layer of conductive fabric material and having an inner layer therebetween of compressible non-conductive material and provides a means for measuring a change in a separation distance between said upper and said lower layer of each of said plurality of conductive fabric sensors.

10

46. A garment according to any one of claims 35 to 45 wherein said monitoring device generates an AC signal.

15 47. A garment according to claim 46 wherein said AC signal varies with the wearer's thoracic or diaphragm diameter when said wearer inhales.

20 48. A garment according to any one of claims 35 to 47 wherein at least one of said plurality of conductive fabric sensors is a capacitive fabric compression sensor formed by at least an inner layer and an outer layer of conductive fabric having a compressible non-conductive material between each of said layers of conductive fabric.

25 49. A garment according to claim 48 wherein said compressible non-conductive material deforms or compresses due to a wearer's thoracic or diaphragm diameter changing when said wearer inhales thereby decreasing a separation distance between said inner and said outer layer of said conductive fabric.

30 50. A garment according to any one of claims 35 to 49 wherein at least one of said plurality of conductive fabric sensors is locatable such that said at least one conductive fabric sensor is a respiratory rate sensor and said respiratory rate sensor has a first terminal coupled to an AC ground within said monitoring device and a second terminal coupled to an AC signal having a high output resistance such that said respiratory rate sensor has an output characteristic equivalent to that provided by a variable capacitor.

51. A garment according to claim 49 or claim 50 wherein said change in thoracic or diaphragm diameter causes said AC signal to change in amplitude due to a change in capacitive coupling between said inner and said outer layer of conductive fabric due to said change in said separation distance.

5

52. A garment according to claim 51 wherein said processing circuit samples the amplitude of said AC signal to generate a digital respiration related waveform and data representative of said wearer's respiration rate for storage in a storage device within said monitoring device and/or for output to a third party device.

10

53. A garment according to any one of claims 35 to 52 wherein at least two of said plurality of conductive fabric sensors includes an electrical pad attached to or integral with one surface of each of said at least one of said plurality of conductive fabric sensors.

15

54. A garment according to claim 53 said electrical pad abuts said wearer's skin surface and electrically connected to said monitoring device.

20

55. A garment according to any one of claims 35 to 54 wherein at least two of said plurality of conductive fabric sensors is locatable on a wearer's skin surface in a position such that said at least two of said plurality of conductive fabric sensors provide a heart rate sensing system.

25

56. A garment according to any one of claims 53 to 55 wherein said processing circuit measures a change in a voltage between at least two of said electrical pads located on each side of a wearer's chest to generate a digital heart rate related waveform representative of a wearer's heart rate for storage in a storage device within said monitoring device and/or for output to a third party device.

30

57. A garment according to any one of claims 48 to 56 wherein said compressible non-conductive material is constructed of an open cell foam type material.

58. A garment according to any one of claims 48 to 57 wherein said layers of conductive fabric are formed from a stretchable and flexible fabric material.

59. A garment according to any one of claims 35 to 58 wherein said plurality of conductive fabric sensors are substantially elastic enabling said plurality of conductive fabric sensors to stretch and conform to a wearer's body shape.
- 5 60. A garment according to any one of claims 35 to 59 wherein said stretchable harness system is attached to or integral with and selectable from the list comprising: a body harness or strap, a torso band, a jacket type garment, a protective armour garment and an item of clothing for wearing on the upper body part of said user.
- 10 61. A garment according to any one of claims 35 to 60 wherein said monitoring device includes a communications system and said communications system is a radio transmitter.
62. A garment according to any one of claims 35 to 60 wherein said monitoring device includes a communications system and said communications system includes a communications
15 port.
63. A garment according to claim 62 wherein said communications port includes a wireless transmitter.
- 20 64. A garment according to claim 62 wherein said communications port provides a user interface between a third party system and said monitoring device enabling said third party system to download a wearer's sensed heart rate signal data and respiratory rate signal data from said monitoring device to said third party system.
- 25 65. A garment according to any one of claims 35 to 64 wherein said plurality of connectors provides a snap-fit type connection with said monitoring device.
66. A garment according to any one of claims 35 to 65 wherein said plurality of connectors provide a serial interface connection between said stretchable harness system and a third party
30 system when said monitoring device is removed from said stretchable harness system.
67. A garment according to any one of claims 35 to 66 wherein said electrical connection to at least one of said plurality of connectors is made by at least one conductive thread.

68. A garment according to any one of claims 35 to 67 wherein said monitoring device is a low power battery driven device.

5 69. A garment according to any one of claims 35 to 68 wherein said attachment means is selectable from the list including; a Velcro strap type of attachment, a hook and eye type attachment, a snap-fit type of attachment or a press-fit type attachment.

70. A bio-mechanical sensing system as herein described and with reference to Figures 1 to 7.

10

71. A garment as herein described and with reference to Figures 1 to 7.

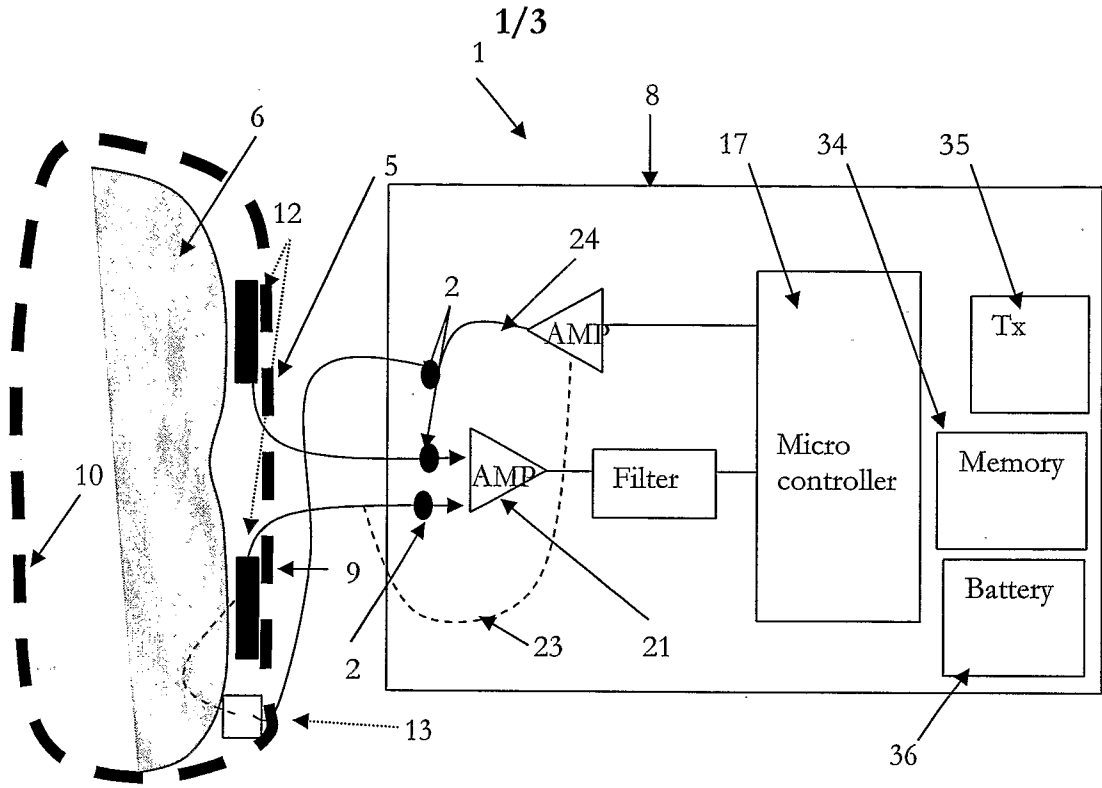


FIGURE 1

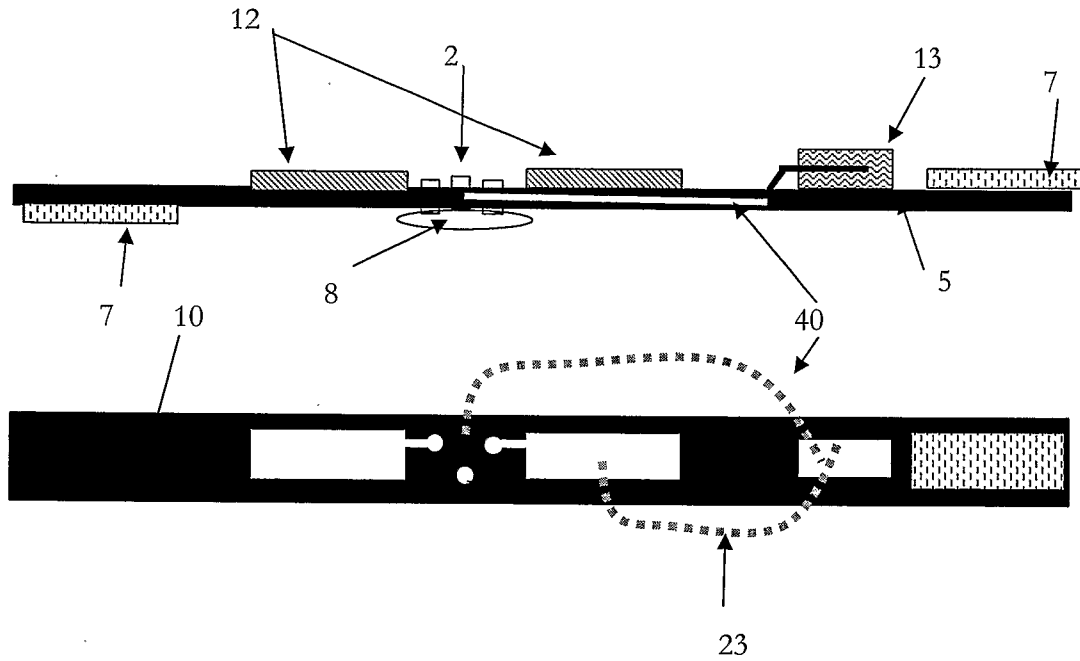


FIGURE 2

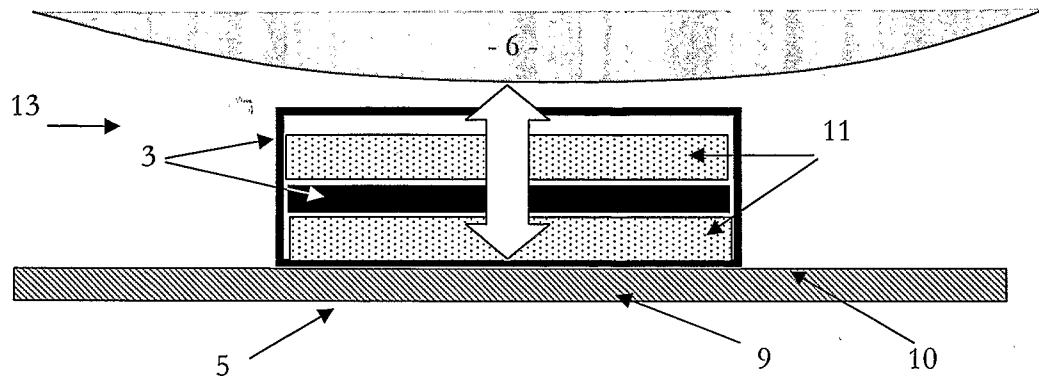


FIGURE 3

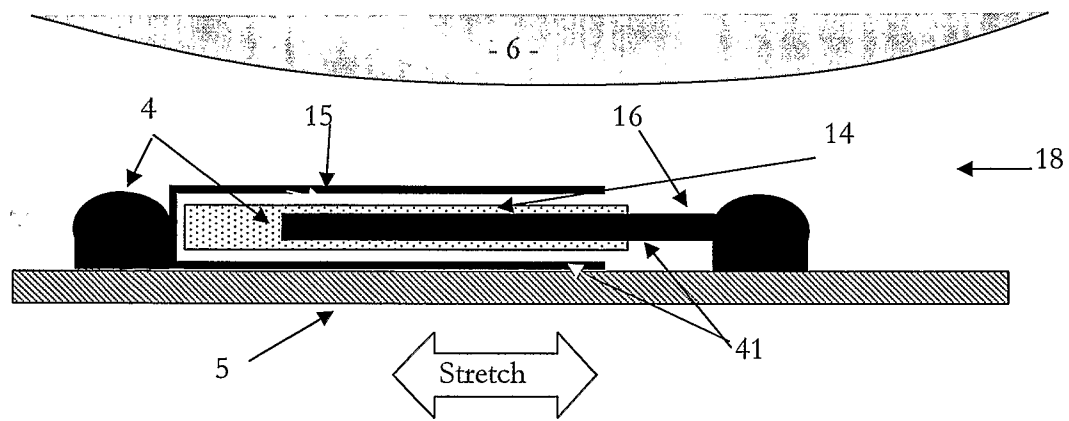


FIGURE 4

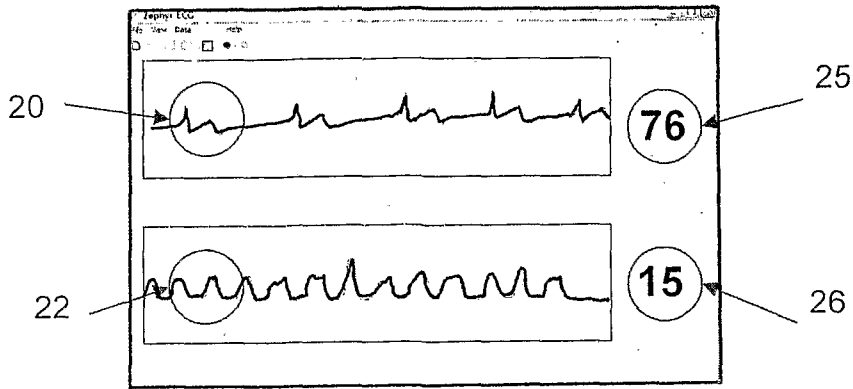


FIGURE 5

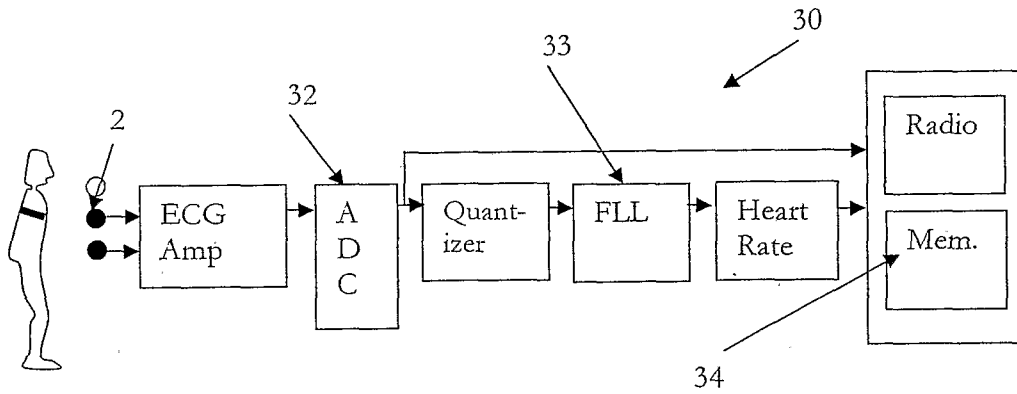


FIGURE 6

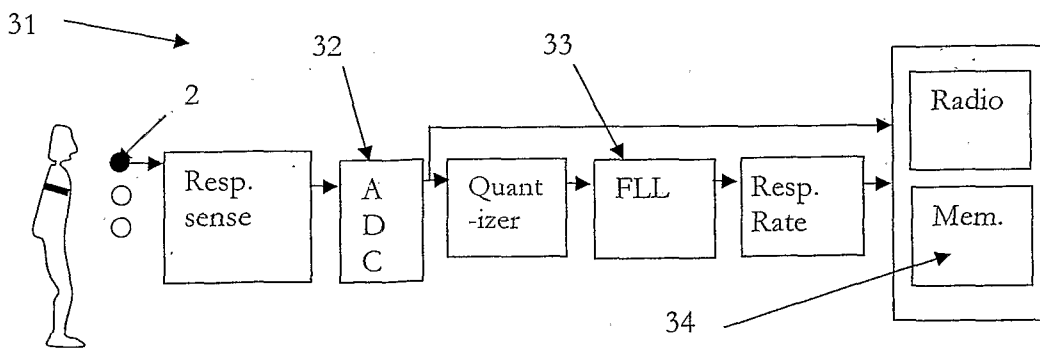


FIGURE 7

INTERNATIONAL SEARCH REPORT

International application No.
PCT/NZ2007/000277

A. CLASSIFICATION OF SUBJECT MATTER

Int. Cl.

A61B 5/0402 (2006.01) **A61B 5/00** (2006.01) **A61B 5/113** (2006.01)

According to International Patent Classification (IPC) or to both national classification and IPC

B. FIELDS SEARCHED

Minimum documentation searched (classification system followed by classification symbols)

Documentation searched other than minimum documentation to the extent that such documents are included in the fields searched

Electronic data base consulted during the international search (name of data base and, where practicable, search terms used)
DWPI and IPC mark A61B and keywords: sense and physiological and garment and conduct and fabric and similar terms.

C. DOCUMENTS CONSIDERED TO BE RELEVANT

Category*	Citation of document, with indication, where appropriate, of the relevant passages	Relevant to claim No.
X	US 2006/0111640 A1 (SHEN et al.) 25 May 2006 Paragraphs 12, 14, 33 and 34	1-3,19-22,24-34
Y		4-18,23,35-69
X	US 6611705 B2 (HOPMAN et al.) 26 August 2003 Column 3 lines 20 to 67 Column 5 lines 34 to 36	1-3,19-22,24-34
Y		4-18,23,35-69

 Further documents are listed in the continuation of Box C See patent family annex

* Special categories of cited documents:		
"A" document defining the general state of the art which is not considered to be of particular relevance	"T" later document published after the international filing date or priority date and not in conflict with the application but cited to understand the principle or theory underlying the invention	
"E" earlier application or patent but published on or after the international filing date	"X" document of particular relevance; the claimed invention cannot be considered novel or cannot be considered to involve an inventive step when the document is taken alone	
"L" document which may throw doubts on priority claim(s) or which is cited to establish the publication date of another citation or other special reason (as specified)	"Y" document of particular relevance; the claimed invention cannot be considered to involve an inventive step when the document is combined with one or more other such documents, such combination being obvious to a person skilled in the art	
"O" document referring to an oral disclosure, use, exhibition or other means	"&" document member of the same patent family	
"P" document published prior to the international filing date but later than the priority date claimed		

Date of the actual completion of the international search
09 April 2008Date of mailing of the international search report
15 APR 2008Name and mailing address of the ISA/AU
AUSTRALIAN PATENT OFFICE
PO BOX 200, WODEN ACT 2606, AUSTRALIA
E-mail address: pct@ipaaustralia.gov.au
Facsimile No. +61 2 6283 7999Authorized officer
DAVID MELHUIH
AUSTRALIAN PATENT OFFICE
(ISO 9001 Quality Certified Service)
Telephone No : (02) 6283 2426

INTERNATIONAL SEARCH REPORT

International application No.

PCT/NZ2007/000277

C (Continuation).

DOCUMENTS CONSIDERED TO BE RELEVANT

Category*	Citation of document, with indication, where appropriate, of the relevant passages	Relevant to claim No.
X	US 6381482 B1 (JAYARAMAN et al.) 30 April 2002 Column 6 lines 42 to 52 Column 13 lines 56 to 64	1-8,19-22, 24-42,55,56, 58-65,67-69
Y		9-18,23, 43-54,57,66
Y	WO 2004/100784 A2 (UMIST VENTURES LIMITED et al.) 25 November 2004 Page 16 lines 16 to 31	4-18,35-56, 58-69
Y	US 6840117 B2 (HUBBARD, Jr.) 11 January 2005 Column 5 lines 21 to 35	23,57
Y	US 5449002 A (GOLDMAN) 12 September 1995 Column 6 lines 49 to 51	23,57
Y	GB 2227322 A (N.H. EASTWOOD & SON LTD) 25 July 1990 Page 5 line 15 to page 6 line 23	23,57
Y	US 6970731 B1 (JAYARAMAN et al.) 29 November 2005 Column 3 line 41 to column 5 line 67	1-8,19-22,24- 31,33-42,55, 56,58-69
Y	US 6551252 B2 (SACKNER et al.) 22 April 2003 Column 17 lines 20 to 40	1-8,19-22,24- 31,33-42,55, 56,58-69

INTERNATIONAL SEARCH REPORT

Information on patent family members

International application No.

PCT/NZ2007/000277

This Annex lists the known "A" publication level patent family members relating to the patent documents cited in the above-mentioned international search report. The Australian Patent Office is in no way liable for these particulars which are merely given for the purpose of information.

Patent Document Cited in Search Report		Patent Family Member			
US	2006111640				
US	6611705	AU	75965/01	AU	2002359515
		AU	2003280415	CA	2414309
		CA	2470383	EP	1303213
		EP	1478267	EP	1519677
		MX	PA04005165	MX	PA04007038
		NO	20043030	US	7197357
		US	2002072682	US	2003105403
		US	2004073127	US	2004127802
		US	2005251002	US	2005251003
		US	2008009694	WO	0205700
		WO	03061465	WO	2004002301
US	6381482	AU	19814/02	AU	36481/02
		AU	61286/99	AU	94952/98
		CA	2304165	CA	2374054
		CA	2428884	CA	2428919
		CN	1280637	CN	1390109
		CN	1486159	CN	1486376
		EP	1062386	EP	1198197
		EP	1341441	EP	1355546
		MX	PA02000169	MX	PA03004169
		MX	PA03004272	US	6145551
		US	6474367	US	6687523
		WO	0101855	WO	0240091
		WO	9915722	WO	9964657
WO	2004100784	AU	2004237945	CA	2525525
		EP	1624800	CN	1882280
US	6840117	AU	19417/01	AU	59122/98
		EP	0951409	US	5821633
		US	6360597	US	6546813
		US	2003136201	WO	0139655
		WO	02068921	WO	9830420

INTERNATIONAL SEARCH REPORT

Information on patent family members

International application No.

PCT/NZ2007/000277

US	5449002	AU	16138/99	AU	46558/93	CA	2352768
		US	5608599	US	5662123	US	5775332
		US	6033370	WO	9401041	WO	9927853
GB	2227322						
US	6970731	AU	19814/02	AU	36481/02	AU	60745/00
		AU	61286/99	AU	94952/98	CA	2295534
		CA	2304165	CA	2374054	CA	2428881
		CA	2428884	CA	2428919	CN	1274270
		CN	1280637	CN	1390109	CN	1486145
		CN	1486159	CN	1486376	EP	1041927
		EP	1062386	EP	1198197	EP	1339903
		EP	1341441	EP	1355546	HK	1034294
		MX	PA02000169	MX	PA03004169	MX	PA03004222
		MX	PA03004272	US	6145551	US	6315009
		US	6381482	US	6474367	US	6687523
		WO	0101855	WO	0240091	WO	0240756
		WO	9915722	WO	9964657	WO	02100200
US	6551252	AU	53599/01	CA	2405848	EP	1296591
		US	2002032386	US	2003135127	WO	0178577
Due to data integration issues this family listing may not include 10 digit Australian applications filed since May 2001.							
END OF ANNEX							