



US00D803816S

(12) **United States Design Patent**
Bolster

(10) **Patent No.:** **US D803,816 S**

(45) **Date of Patent:** **** Nov. 28, 2017**

(54) **PAIR OF HEADPHONES**

(71) Applicant: **Harman International Industries, Incorporated**, Northridge, CA (US)

(72) Inventor: **Michael Bolster**, Pittsburgh, PA (US)

(73) Assignee: **Harman International Industries, Incorporated**, Northridge, CA (US)

(**) Term: **15 Years**

(21) Appl. No.: **29/576,014**

(22) Filed: **Aug. 31, 2016**

(51) **LOC (10) Cl.** **14-01**

(52) **U.S. Cl.**

USPC **D14/223**

(58) **Field of Classification Search**

USPC D14/223, 205; D24/174; 128/865, 866;
181/129, 130, 135; 379/430, 431;
381/380, 381, 382, 384, 370, 379;
455/90.3, 575.1, 569.1

CPC H04R 1/10; H04R 25/00; H04R 5/0335;
H04R 5/033; H04R 1/1066; H04R 1/1016

See application file for complete search history.

(56) **References Cited**

U.S. PATENT DOCUMENTS

6,010,216	A *	1/2000	Jesiek	H04B 1/385
					351/158
6,233,345	B1 *	5/2001	Urwylar	H04R 1/1033
					351/123
6,799,018	B1 *	9/2004	Lam	H04B 10/11
					381/301
D584,284	S *	1/2009	Carr	D14/206
D593,067	S *	5/2009	Millora	D14/205
D593,538	S *	6/2009	Chon	D14/205
D594,442	S *	6/2009	Chon	D14/205

(Continued)

Primary Examiner — Paula Allen Greene

(74) *Attorney, Agent, or Firm* — Plumsea Law Group, LLC

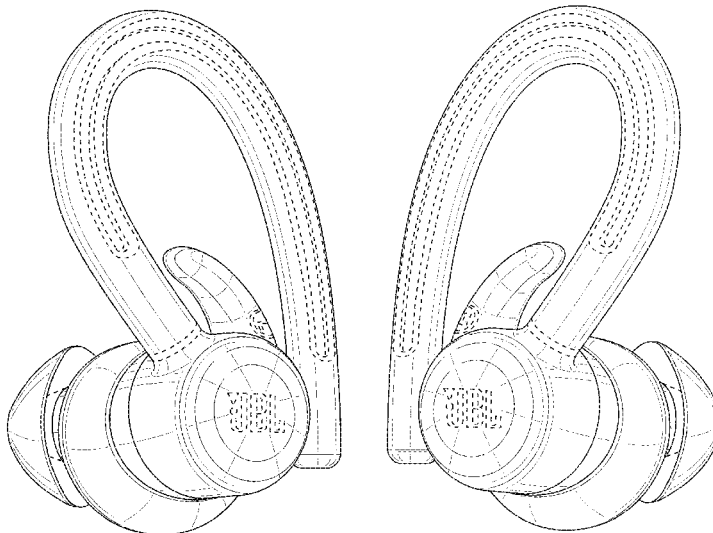
(57) **CLAIM**

The ornamental design for a pair of headphones, as shown and described.

DESCRIPTION

FIG. 1 is a back perspective view of a left headphone of a pair of headphones showing my new design;
 FIG. 2 is a front perspective view of the headphone of FIG. 1;
 FIG. 3 is a back elevational view of the headphone of FIG. 1;
 FIG. 4 is a front elevational view of the headphone of FIG. 1;
 FIG. 5 is a right side elevational view of the headphone of FIG. 1;
 FIG. 6 is a left side elevational view of the headphone of FIG. 1;
 FIG. 7 is a top plan view of the headphone of FIG. 1;
 FIG. 8 is a bottom plan view of the headphone of FIG. 1;
 FIG. 9 is a back perspective view of a right headphone of a pair of headphones of my new design;
 FIG. 10 is a front perspective view of the headphone of FIG. 9;
 FIG. 11 is a back elevational view of the headphone of FIG. 9;
 FIG. 12 is a front elevational view of the headphone of FIG. 9;
 FIG. 13 is a right side elevational view of the headphone of FIG. 9;
 FIG. 14 is a left side elevational view of the headphone of FIG. 9;
 FIG. 15 is a top plan view of the headphone of FIG. 9; and
 FIG. 16 is a bottom plan view of the headphone of FIG. 9.
 The broken line showings and unshaded areas depict environment that forms no part of the claimed design.

1 Claim, 16 Drawing Sheets



(56)

References Cited

U.S. PATENT DOCUMENTS

7,920,902 B2 *	4/2011	Carroll	H04M 1/6066						
				381/74					
D641,010 S *	7/2011	Kwon		D14/223					
D641,737 S *	7/2011	Krauss		D14/205					
8,009,853 B2 *	8/2011	Ito	H04R 1/1066						
				381/370					
D645,458 S *	9/2011	Silvestri	H04R 1/1016						
				D14/223					
8,073,181 B2 *	12/2011	Bakalos	H04R 3/04						
				381/103					
D658,157 S *	4/2012	McManigal		D14/205					
D663,714 S *	7/2012	Kang		D14/205					
D678,858 S *	3/2013	Feng		D14/205					
D686,191 S *	7/2013	Schaal		D14/205					
D695,265 S *	12/2013	Schaal		D14/205					
D695,266 S *	12/2013	Schaal		D14/205					
D695,267 S *	12/2013	Schaal		D14/205					
D699,703 S *	2/2014	Schaal		D14/205					
D703,634 S *	4/2014	Han	H04R 1/1016						
				D14/205					
8,737,669 B2 *	5/2014	Monahan	H04R 1/1016						
				381/325					
D715,253 S *	10/2014	Lee		D14/205					
D716,759 S *	11/2014	Ha		D14/205					
D727,871 S *	4/2015	Orbach		D14/205					
D727,873 S *	4/2015	Schaal		D14/205					
D730,867 S *	6/2015	Park		D14/205					
D731,999 S *	6/2015	Cepress		D14/205					
D756,958 S *	5/2016	Lee		D14/205					
D756,959 S *	5/2016	Lee		D14/205					
D758,339 S *	6/2016	Lee		D14/205					
D763,224 S *	8/2016	Silvestri	H04R 1/1016						
				D14/205					
D763,227 S *	8/2016	Lee		D14/205					
D763,822 S *	8/2016	Lee		D14/205					
D764,436 S *	8/2016	Dryden		D14/205					
D766,210 S *	9/2016	Graylin		D14/205					
D766,869 S *	9/2016	Lee		D14/205					
9,445,181 B1 *	9/2016	Atwater	H04R 1/105						
D768,600 S *	10/2016	Chen		D14/205					
D771,011 S *	11/2016	Ott		D14/205					
D771,013 S *	11/2016	Yang		D14/205					
D771,587 S *	11/2016	Iwane		D14/205					
D772,194 S *	11/2016	Choe		D14/205					
D772,195 S *	11/2016	Lee		D14/205					
D772,196 S *	11/2016	Choi		D14/205					
D772,843 S *	11/2016	Lee		D14/205					
D772,845 S *	11/2016	Lim		D14/205					
D773,439 S *	12/2016	Walker		D14/205					
D774,017 S *	12/2016	Ahn		D14/205					
D774,490 S *	12/2016	Lin		D14/205					
D775,610 S *	1/2017	Nakajima		D14/223					
D782,442 S *	3/2017	Chen		D14/205					
2007/0104333 A1 *	5/2007	Kuo	H04R 1/1025						
				381/74					
2009/0274335 A1 *	11/2009	Cheung	H04R 5/0335						
				381/374					
2011/0170702 A1 *	7/2011	Bays	H04R 5/0335						
				381/74					
2012/0163617 A1 *	6/2012	Silvestri	H04R 1/1016						
				381/74					
2014/0185837 A1 *	7/2014	Kunimoto	H04R 1/1075						
				381/151					
2016/0037248 A1 *	2/2016	Cheng	H04R 1/105						
				381/74					
2016/0073186 A1 *	3/2016	Searl	H04R 1/1016						
				381/380					

* cited by examiner

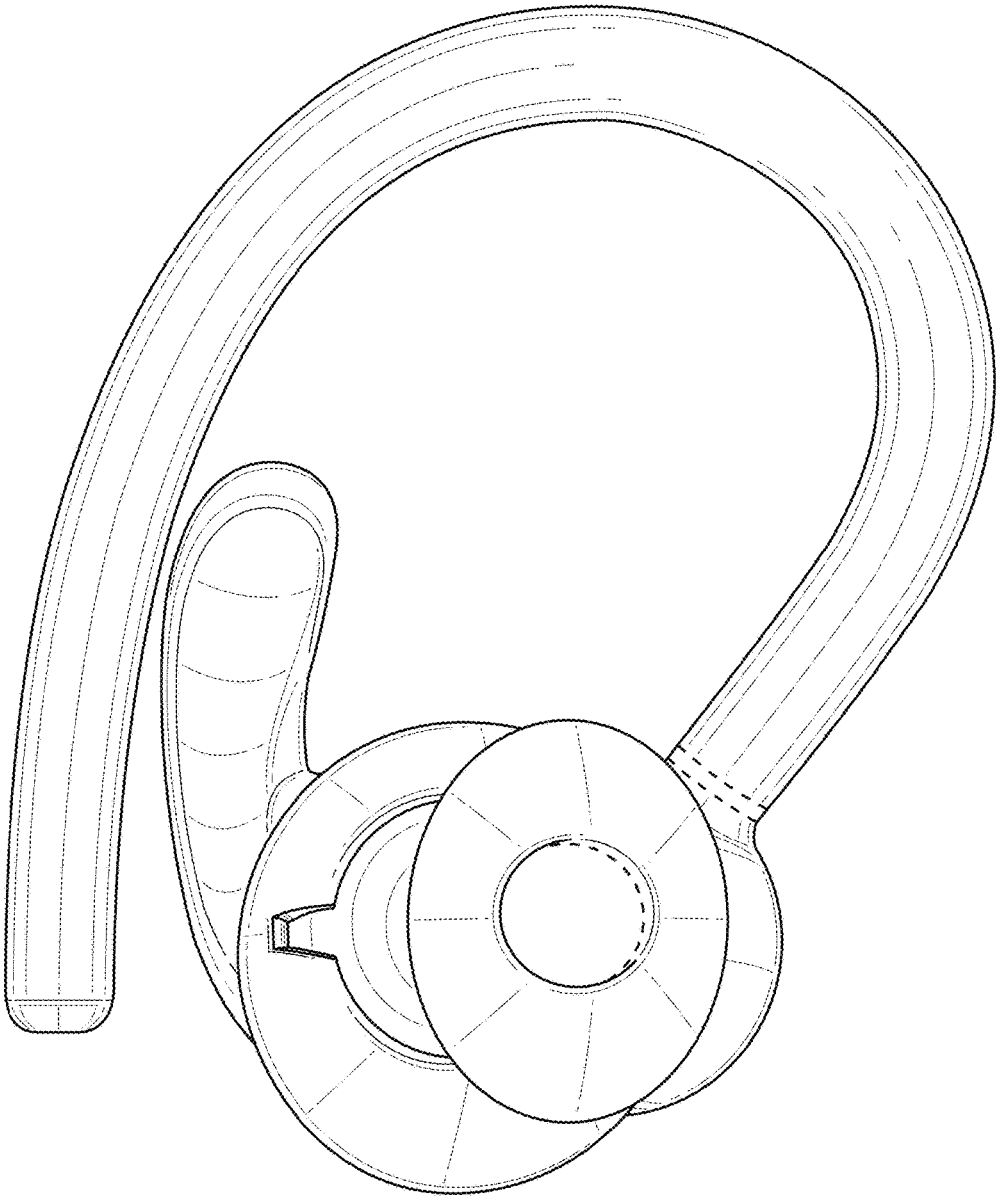


FIG. 1

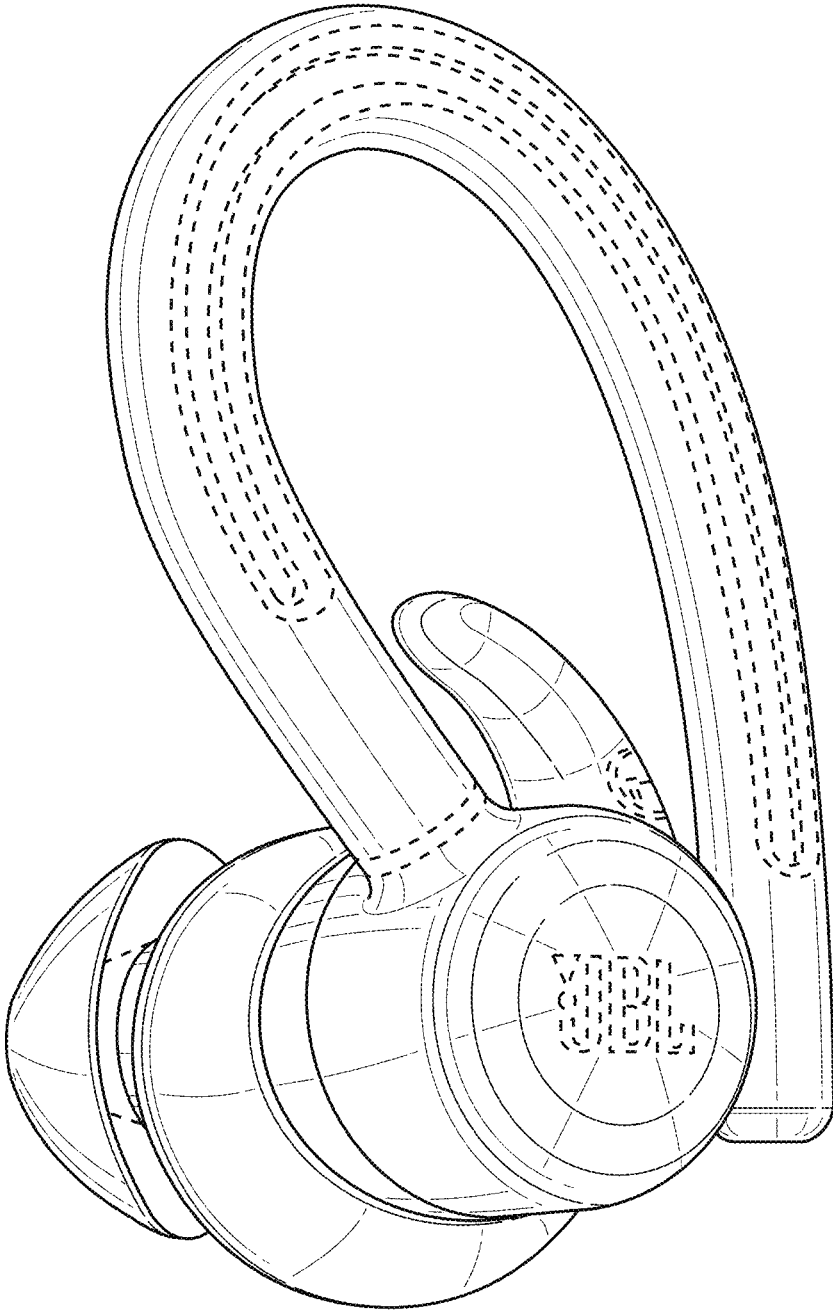


FIG. 2

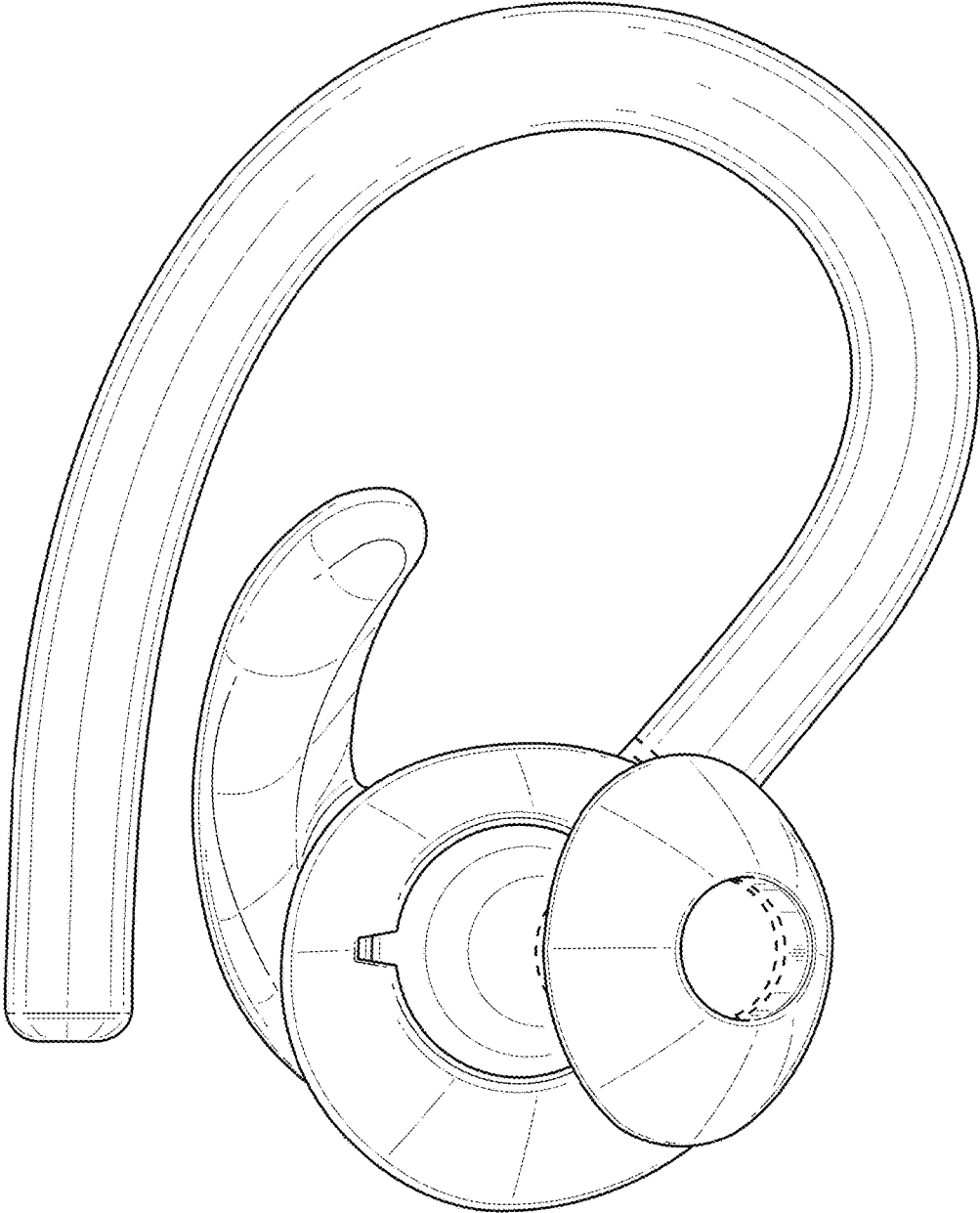


FIG. 3

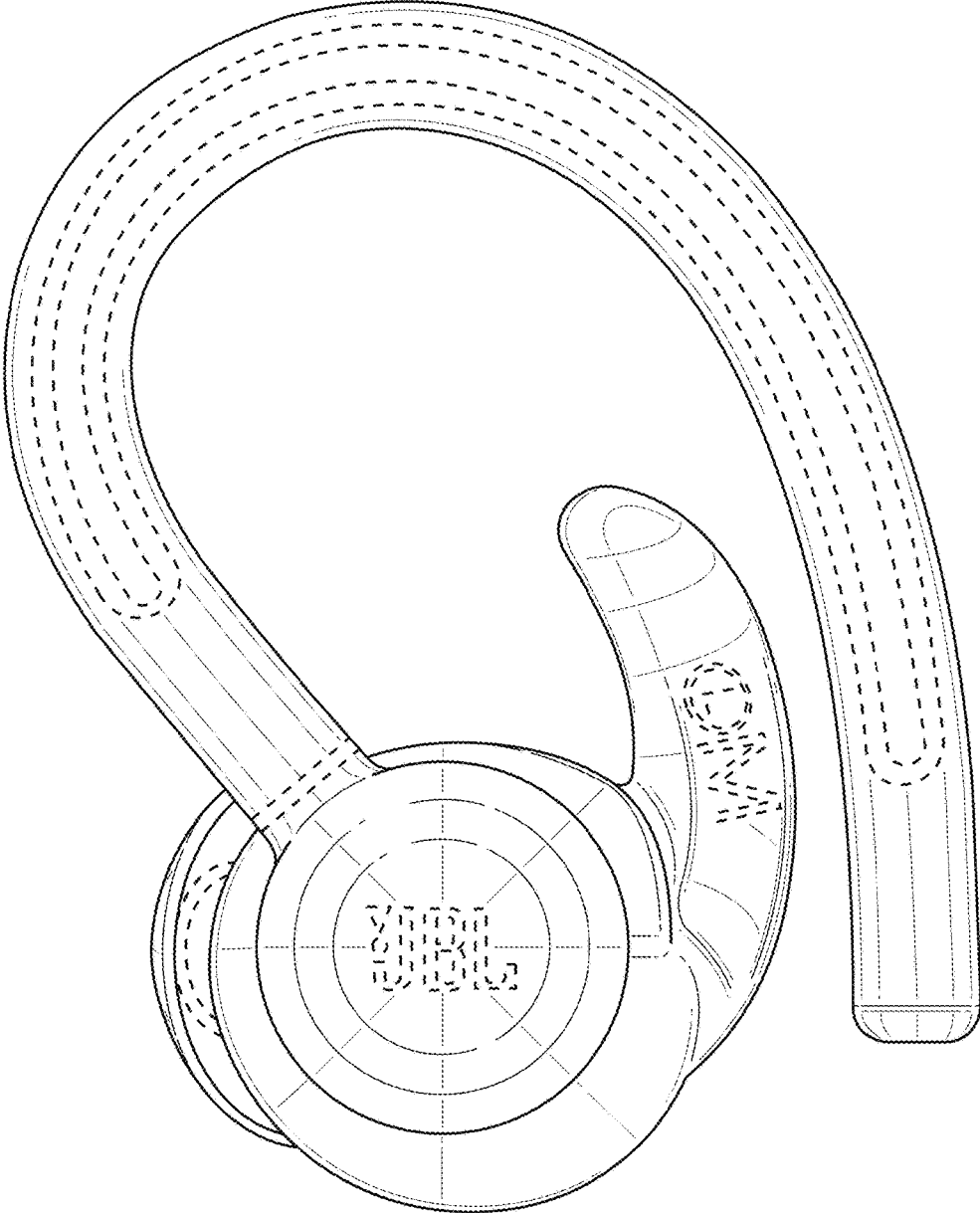


FIG. 4

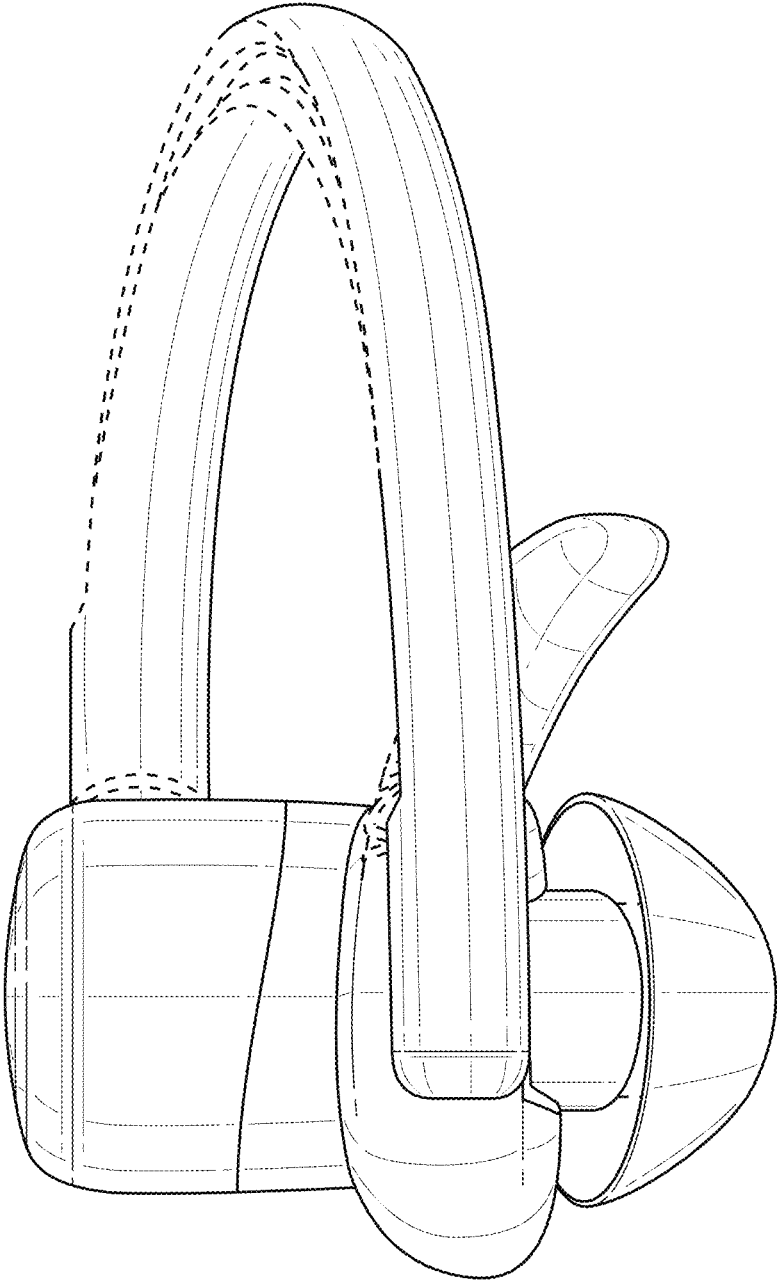


FIG. 5

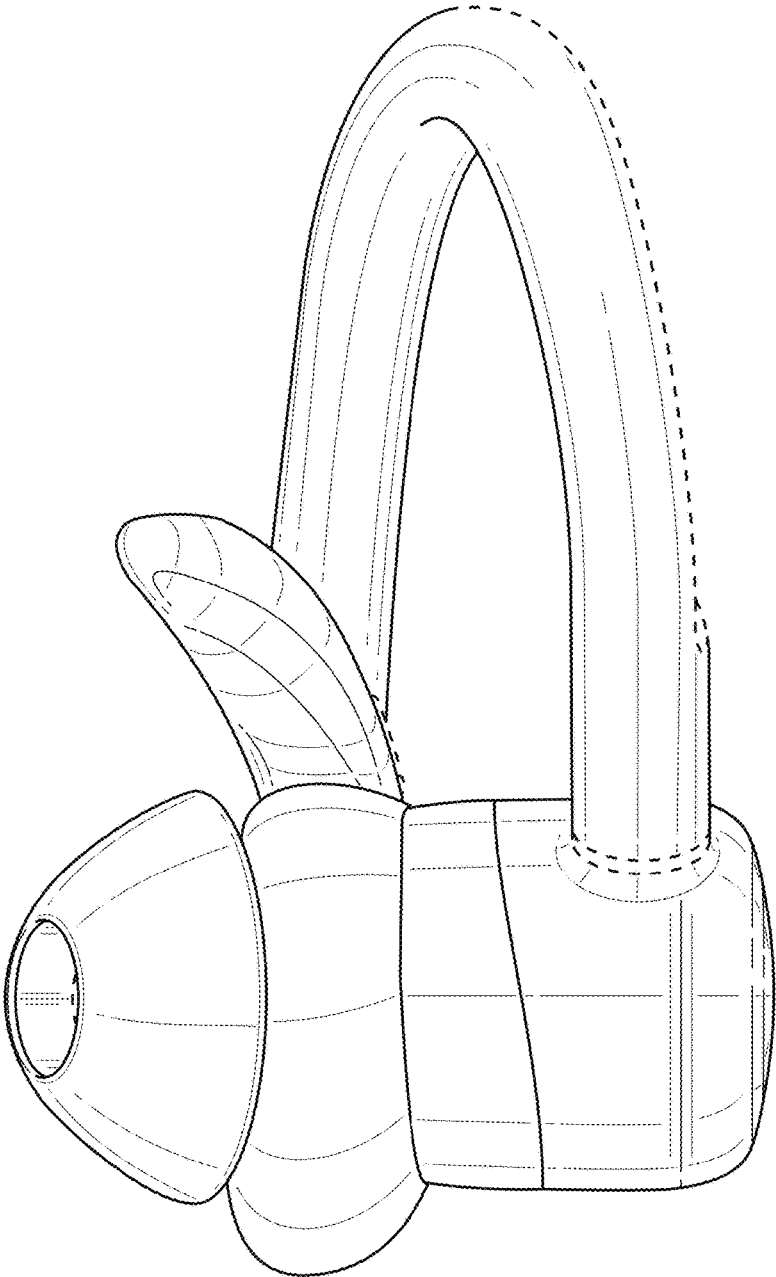


FIG. 6

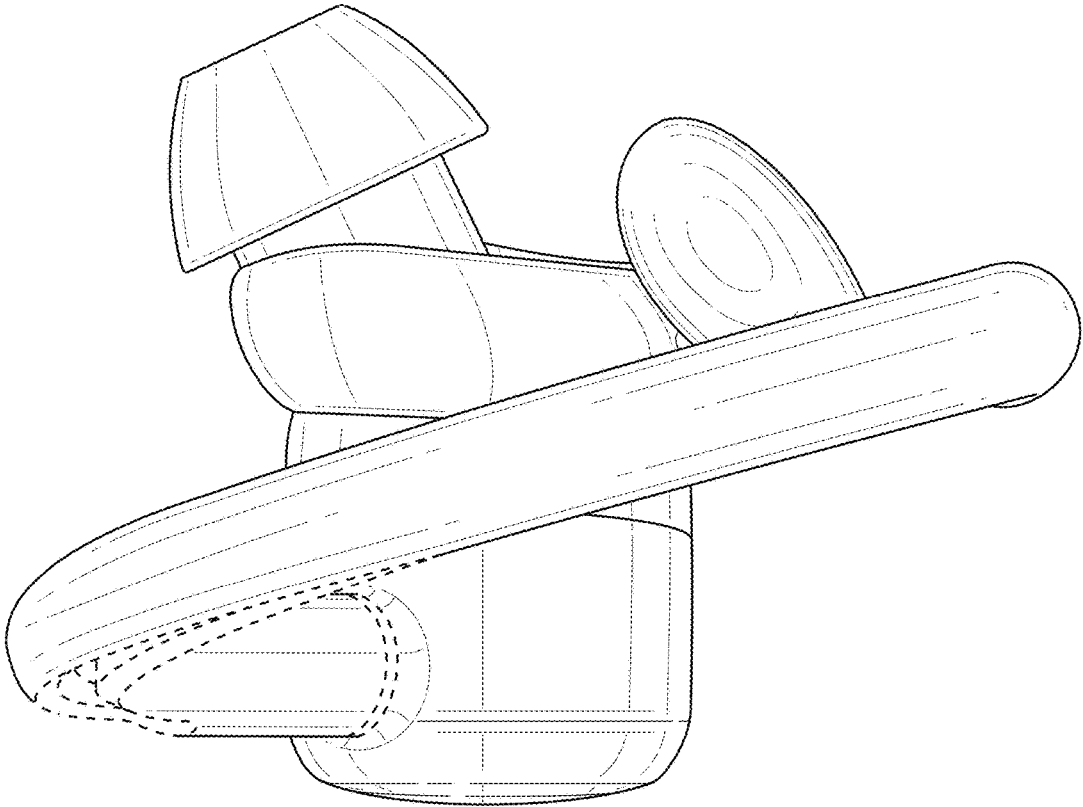


FIG. 7

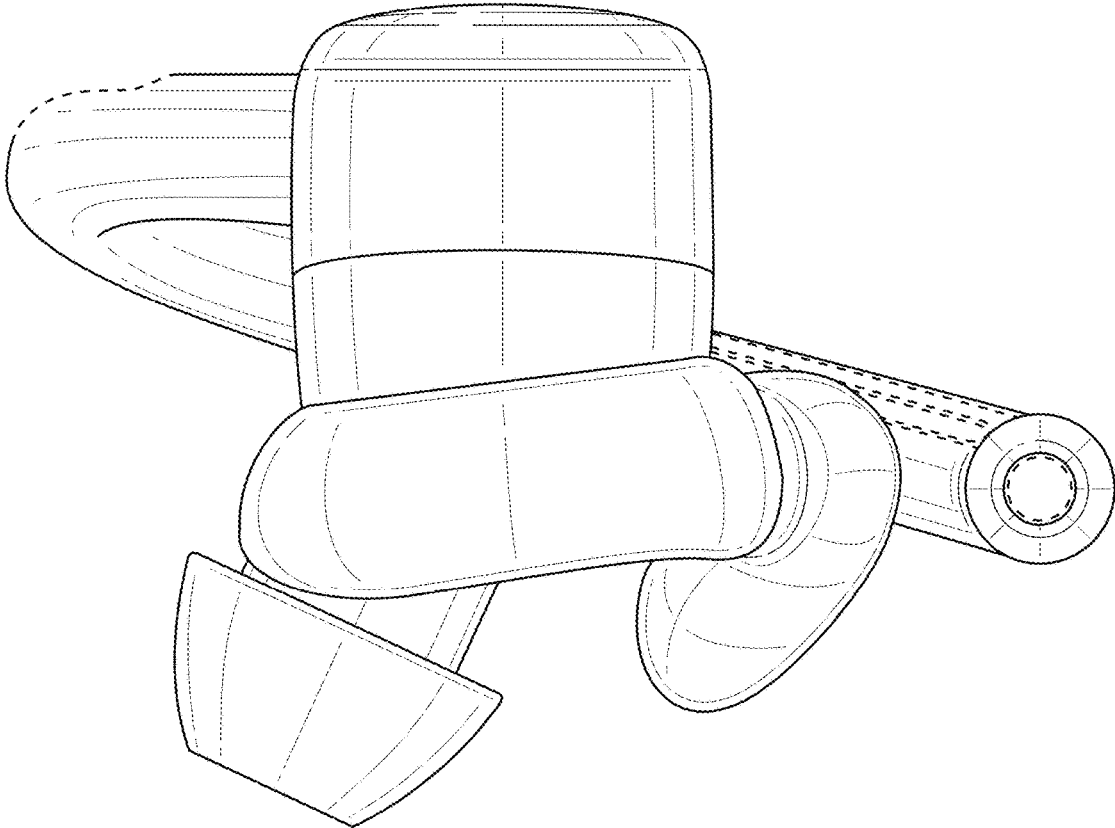


FIG. 8

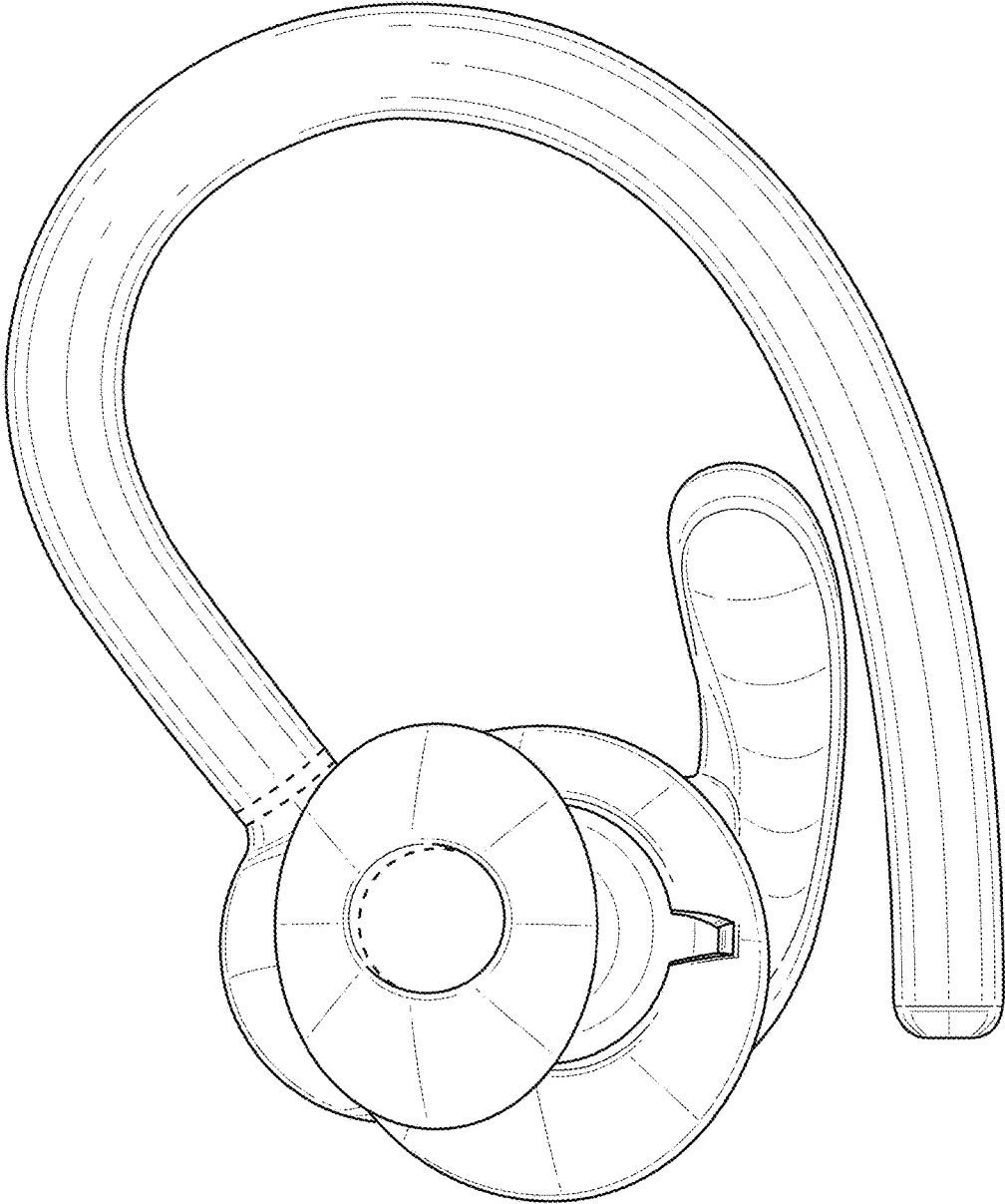


FIG. 9

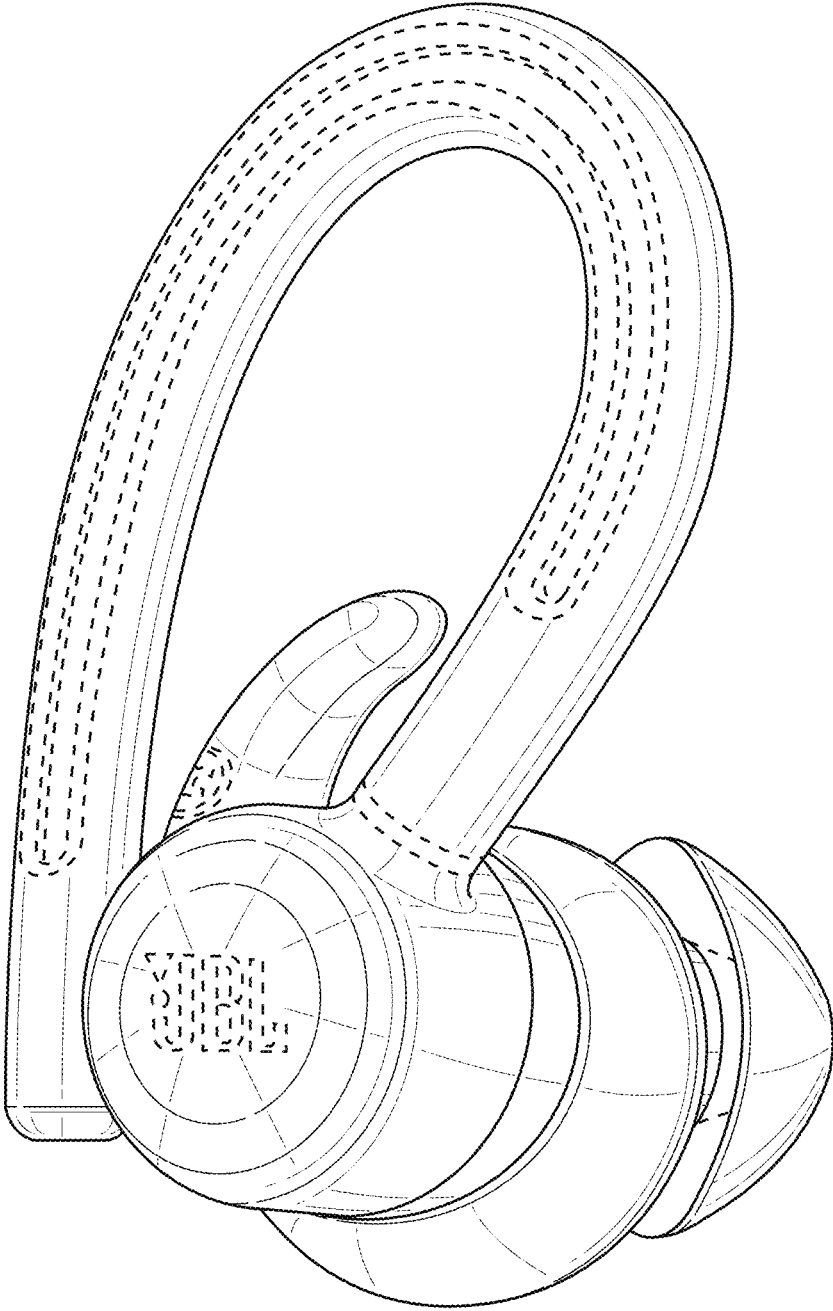


FIG. 10

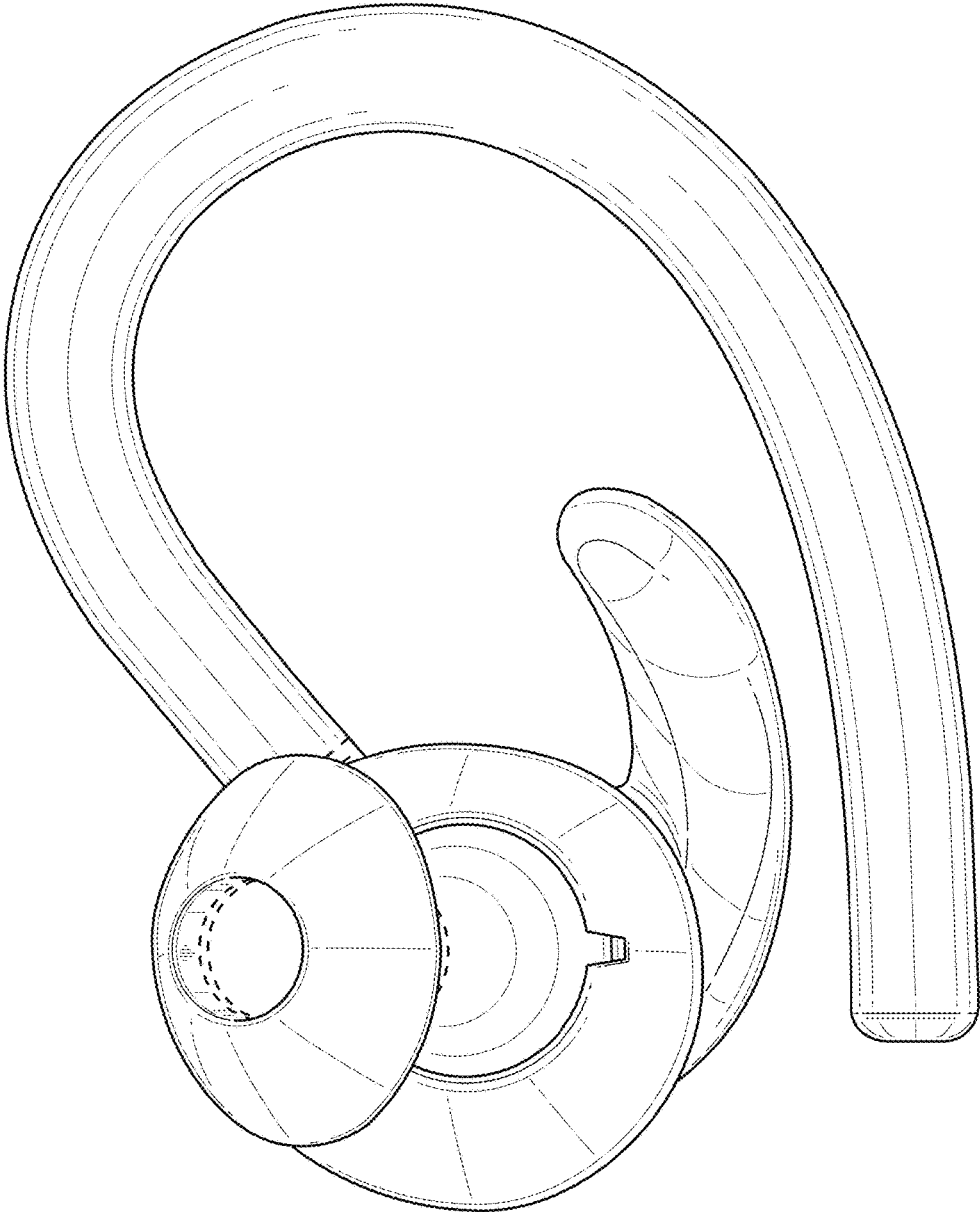


FIG. 11



FIG. 12

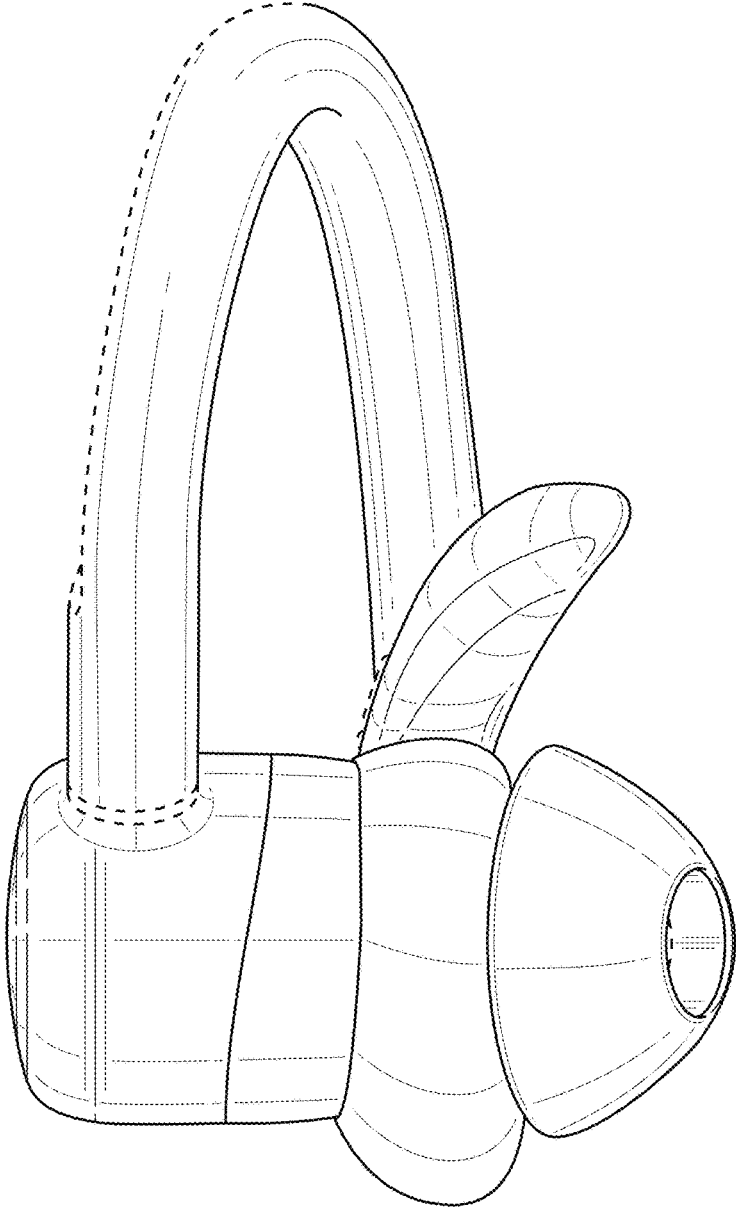


FIG. 13

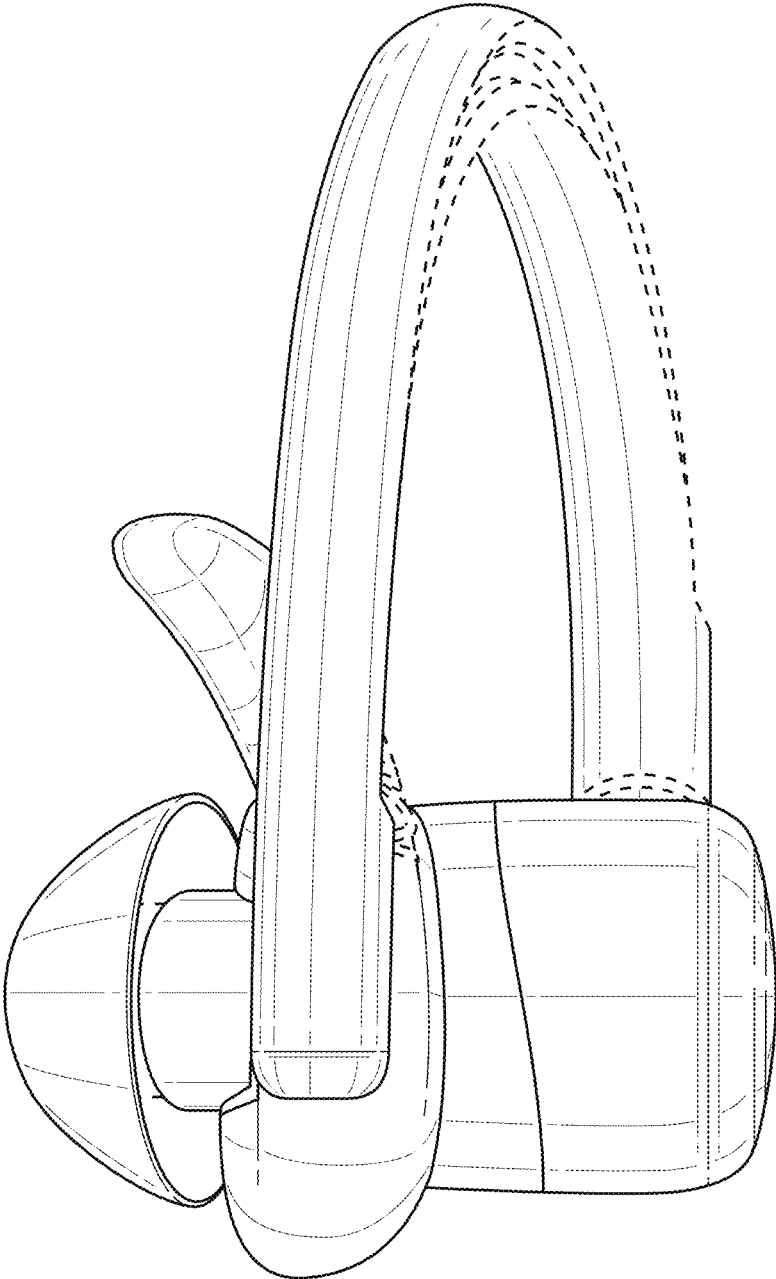


FIG. 14

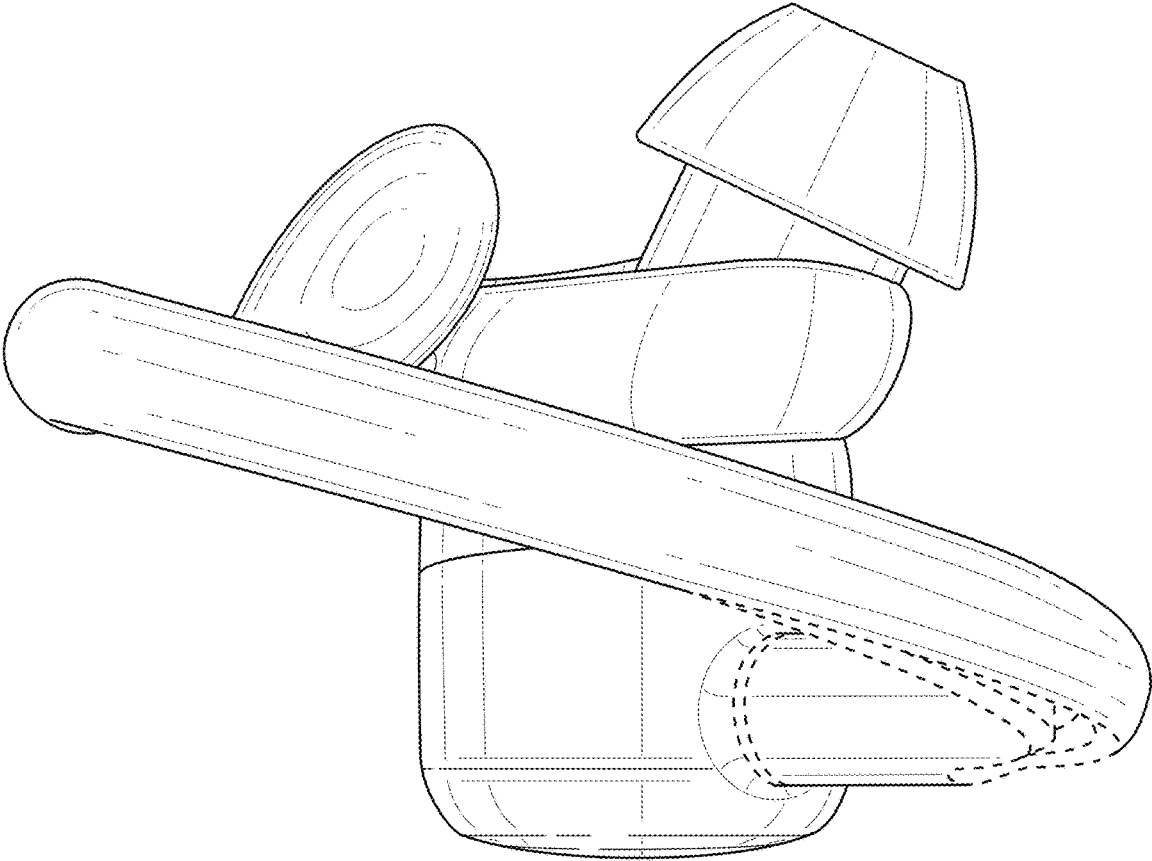


FIG. 15

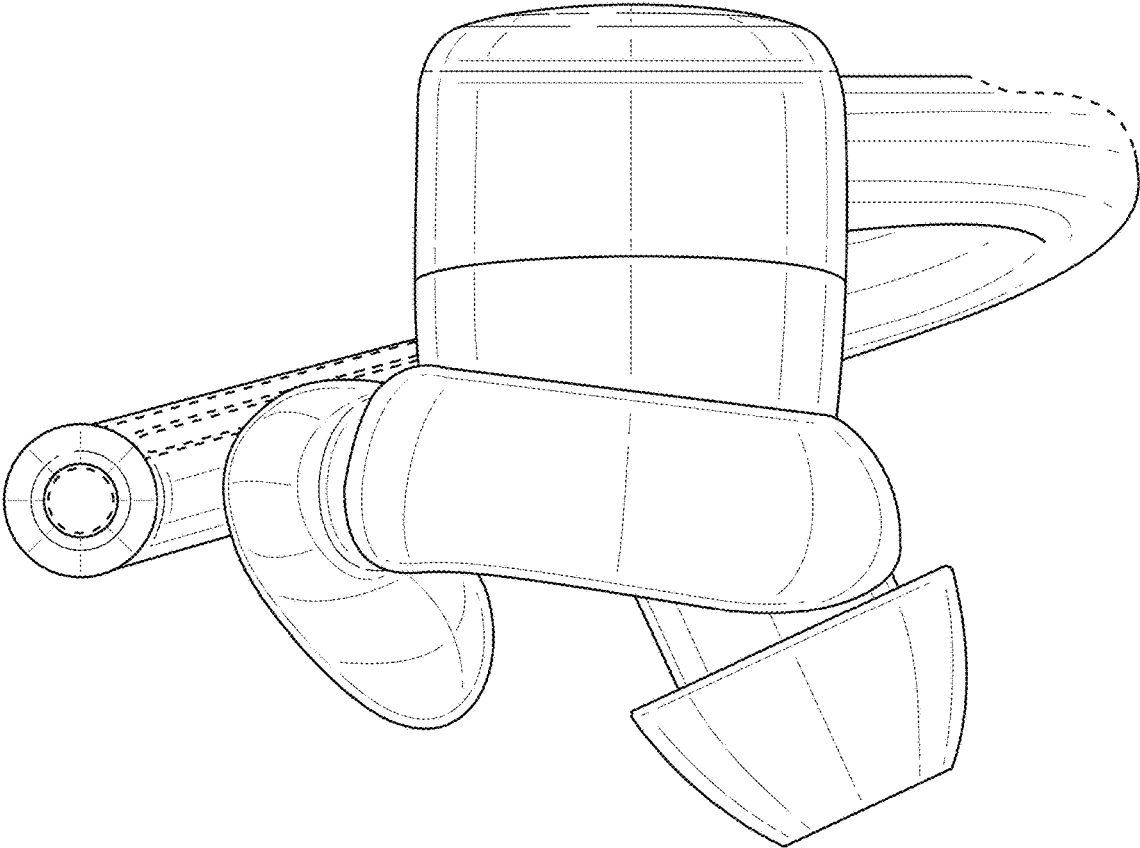


FIG. 16