



US00D659692S

(12) **United States Design Patent**  
**Jung et al.**

(10) **Patent No.:** **US D659,692 S**

(45) **Date of Patent:** **\*\* May 15, 2012**

(54) **TABLET COMPUTER**

(75) Inventors: **Jong-Bo Jung**, Seoul (KR);  
**Hyung-Shin Park**, Seoul (KR)

(73) Assignee: **Samsung Electronics Co., Ltd.** (KR)

(\*\*) Term: **14 Years**

(21) Appl. No.: **29/402,268**

(22) Filed: **Sep. 22, 2011**

(30) **Foreign Application Priority Data**

Jul. 26, 2011 (KR) ..... 30-2011-0031145

(51) **LOC (9) Cl.** ..... **14-02**

(52) **U.S. Cl.** ..... **D14/341**

(58) **Field of Classification Search** ..... D14/341-347,  
D14/137, 138, 138.1, 138 AA, 138 R, 138 AB,  
D14/138 AC, 138 AD, 138 C, 138 G, 496,  
D14/203.1, 203.3, 203.4, 203.5, 203.7, 426,  
D14/427, 432, 429, 129, 130, 420, 439-441,  
D14/448, 125, 147, 156, 218, 247-248, 250,  
D14/389, 388, 315-318; D10/65, 104; D18/6-7;  
D21/324, 329, 330; D19/26, 59, 60; 455/556.1,  
455/556.2, 566, 575.1, 90.3; 379/433.04,  
379/433.01, 433.06, 916; 345/169, 173,  
345/901, 905, 179; 361/679.26, 679.27,  
361/679.3, 679.55, 679.56, 680-686; 248/917-924;  
348/373, 376

See application file for complete search history.

(56) **References Cited**

U.S. PATENT DOCUMENTS

D355,170 S *	2/1995	Mizusugi et al. ....	D14/336
D489,067 S *	4/2004	Olson et al. ....	D14/375
D617,793 S *	6/2010	Chiang et al. ....	D14/341
D635,535 S *	4/2011	Cho et al. ....	D14/125
D640,255 S *	6/2011	Lee et al. ....	D14/341
D641,018 S *	7/2011	Lee et al. ....	D14/341

\* cited by examiner

*Primary Examiner* — Barbara Fox

(74) *Attorney, Agent, or Firm* — Cantor Colburn LLP

(57) **CLAIM**

The ornamental design for a tablet computer, as shown and described.

**DESCRIPTION**

FIG. 1 is a front perspective view of tablet computer, showing our new design;  
FIG. 2 is a front elevational view thereof;  
FIG. 3 is a rear elevational view thereof;  
FIG. 4 is a left side elevational view thereof;  
FIG. 5 is a right side elevational view thereof;  
FIG. 6 is a top plan view thereof;  
FIG. 7 is a bottom plan view thereof; and,  
FIG. 8 is a rear perspective reference view thereof.

**1 Claim, 8 Drawing Sheets**

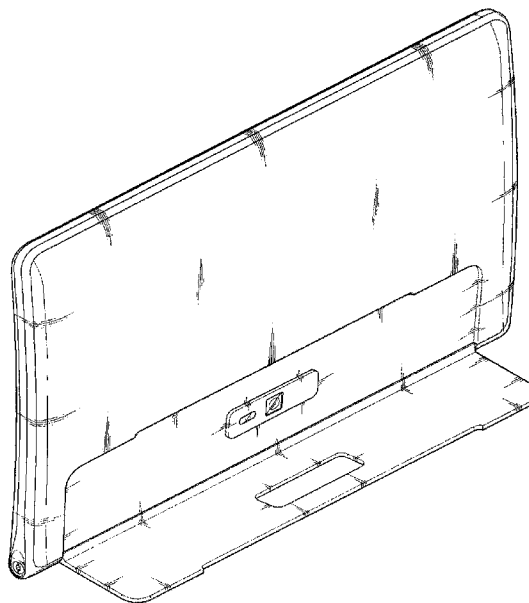
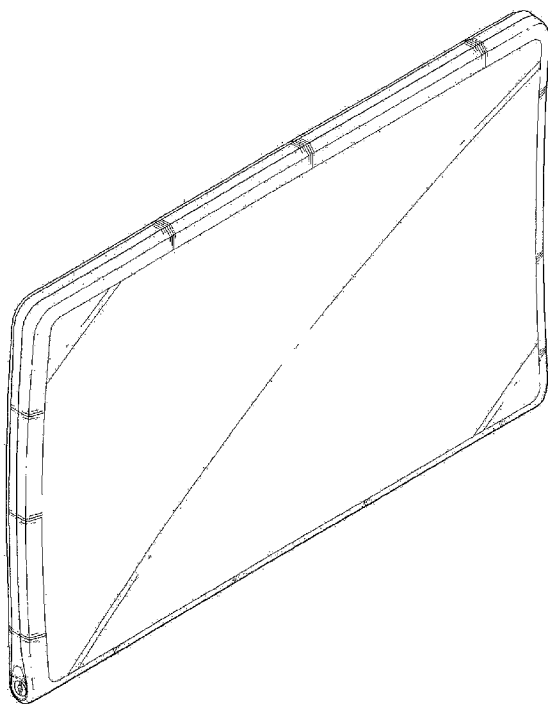


FIG. 1

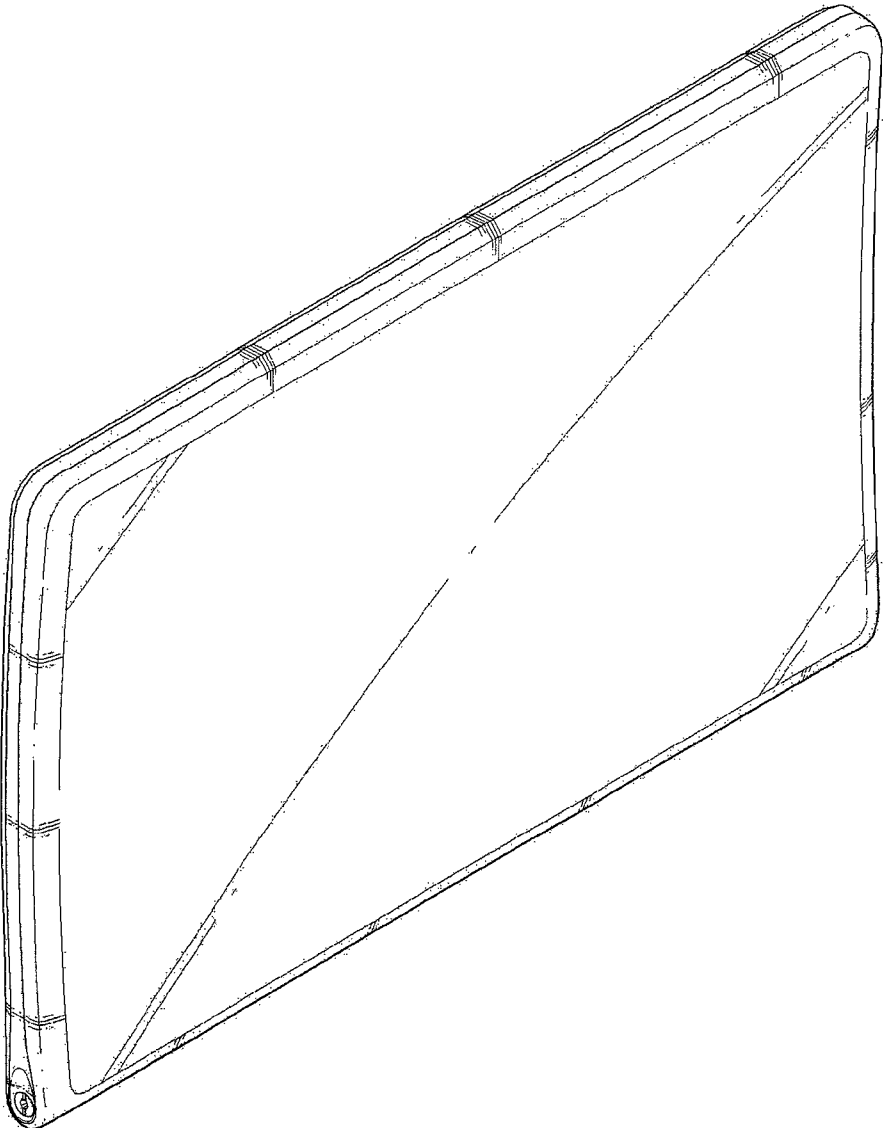


FIG. 2

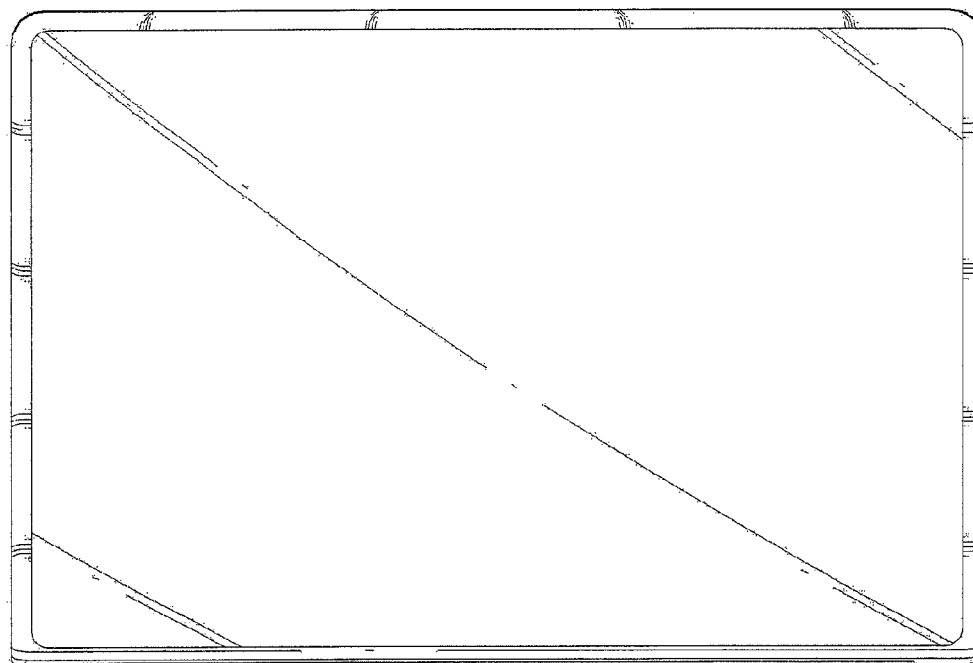


FIG. 3

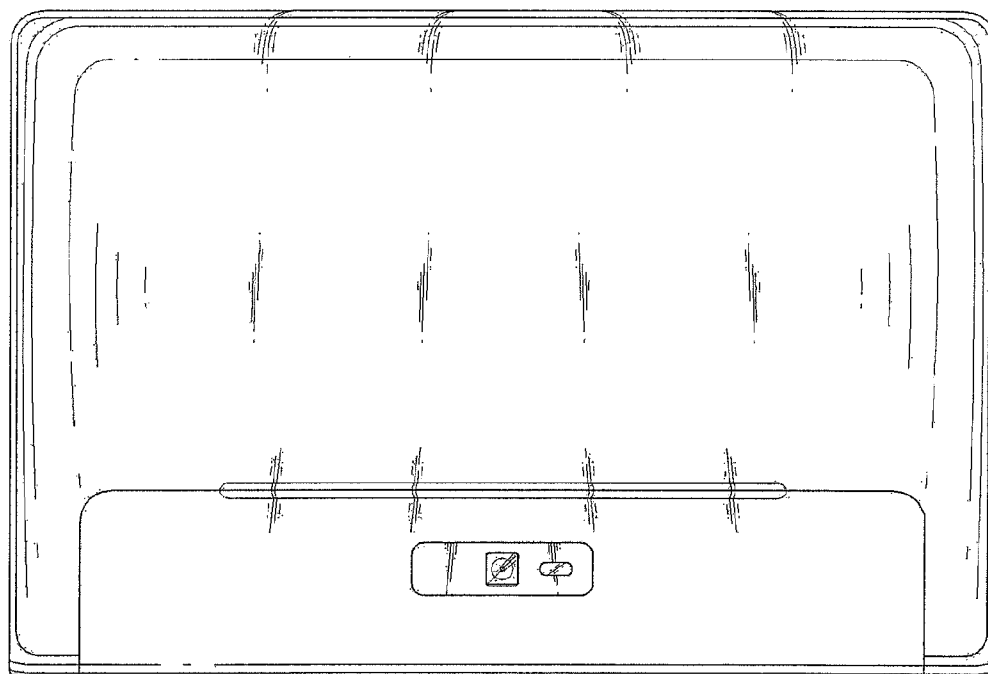


FIG. 4

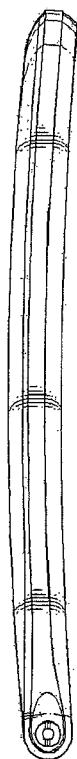


FIG. 5



FIG. 6

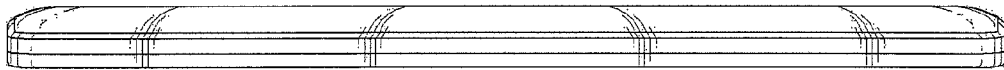


FIG. 7

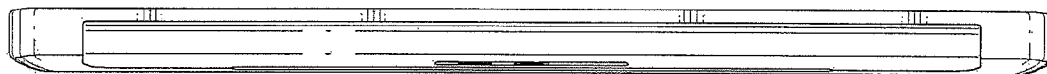




FIG. 8

