



US00D965490S

(12) **United States Design Patent** (10) **Patent No.:** **US D965,490 S**
Akrapovic et al. (45) **Date of Patent:** **** Oct. 4, 2022**

(54) **SPOILER FOR MOTOR CARS**
(71) Applicant: **Igor Akrapovic**, Ljubljana (SI)
(72) Inventors: **Igor Akrapovic**, Ljubljana (SI); **Ermin Kosovel**, Zgornje Gorje (SI); **Boštjan Veber**, Polzela (SI); **Dejan Kastelic**, Ivancna Gorica (SI); **Primož Toplikar**, Tolmin (SI)
(**) Term: **15 Years**
(21) Appl. No.: **35/511,985**
(22) Filed: **Feb. 23, 2021**

(80) **Hague Agreement Data**
Int. Filing Date: **Feb. 23, 2021**
Int. Reg. No.: **DM/214518**
Int. Reg. Date: **Feb. 23, 2021**
Int. Reg. Pub. Date: **Jun. 11, 2021**

(30) **Foreign Application Priority Data**
Aug. 27, 2020 (EM) 008149447-0001
(51) **LOC (13) Cl.** **12-16**
(52) **U.S. Cl.**
USPC **D12/169**
(58) **Field of Classification Search**
USPC D12/86, 90, 91, 92, 163, 164, 167, 169,
D12/171, 172, 196, 216
CPC B60R 19/02; B60R 19/18; B60R 19/24;
B60R 19/56; B60R 2019/007
See application file for complete search history.

(56) **References Cited**
U.S. PATENT DOCUMENTS
D813,745 S * 3/2018 Behmer D12/169
10,272,862 B2 * 4/2019 Whitehead B62D 25/2072
D852,691 S * 7/2019 Tovey D12/169
D860,894 S * 9/2019 Grewer D12/196

D864,820 S * 10/2019 Lucas D12/196
D867,950 S * 11/2019 Grewer D12/196
D868,647 S * 12/2019 Buck D12/196
D883,884 S * 5/2020 Watanuki D12/196
D887,932 S * 6/2020 Owens D12/196
D888,626 S * 6/2020 Smith D12/169
D890,641 S * 7/2020 Burki D12/164
D902,818 S * 11/2020 Choi D12/196
D903,567 S * 12/2020 Choi D12/196
D903,568 S * 12/2020 Choi D12/196
D908,571 S * 1/2021 Anscheidt D12/196
D911,240 S * 2/2021 Manzoni D12/196
D918,808 S * 5/2021 Nakajima D12/169
D920,203 S * 5/2021 Choi D12/196
D920,871 S * 6/2021 Park D12/196
D932,969 S * 10/2021 Anscheidt D12/196

(Continued)

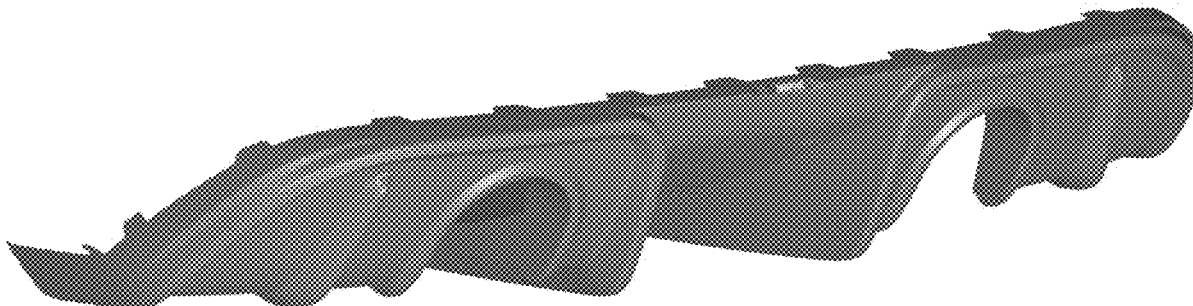
Primary Examiner — Darlington Ly
(74) Attorney, Agent, or Firm — Olson & Cepuritis, Ltd.

(57) **CLAIM**
The ornamental design for a spoiler for motor cars, as shown and described.

DESCRIPTION

The patent or application file contains at least one drawing executed in color. Copies of this patent or patent application publication with color drawing(s) will be provided by the Office upon request and payment of the necessary fee.
1. Spoiler for motor cars
1.1 is a rear and left side perspective view of a spoiler for motor cars embodying our new design;
1.2 is a rear elevation view thereof;
1.3 is a front elevation view thereof;
1.4 is a right side elevation view thereof;
1.5 is a top, rear, and right side elevation view thereof;
1.6 is a left side elevation view thereof;
1.7 is a top plan view thereof;
1.8 is a bottom plan view thereof; and
1.9 is a rear and bottom perspective view thereof.

1 Claim, 9 Drawing Sheets
(9 of 9 Drawing Sheet(s) Filed in Color)



(56)

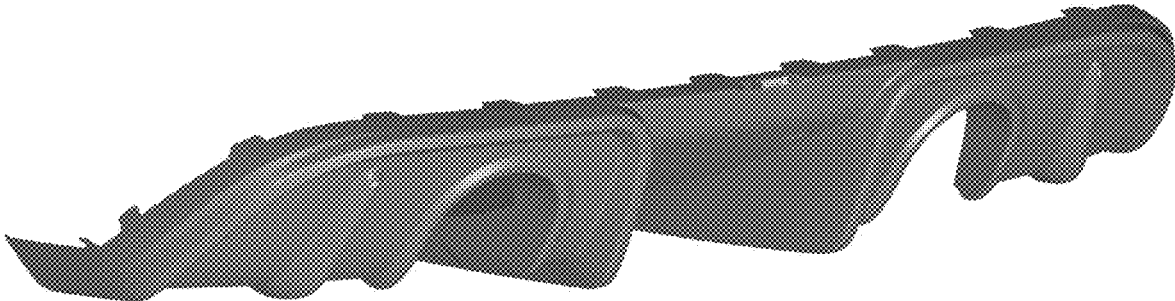
References Cited

U.S. PATENT DOCUMENTS

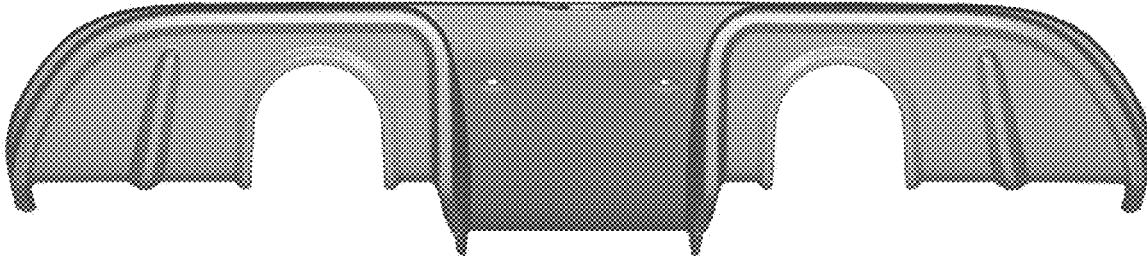
2011/0118946 A1* 5/2011 Reimann B60R 25/2054
701/49
2017/0043813 A1* 2/2017 Whitehead B60R 19/54

* cited by examiner

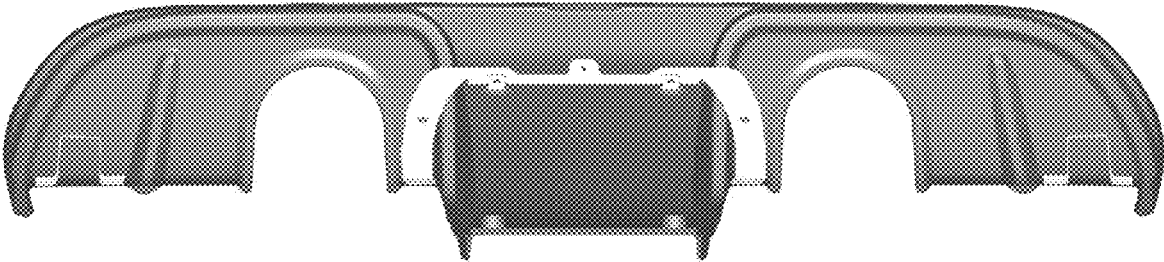
1.1



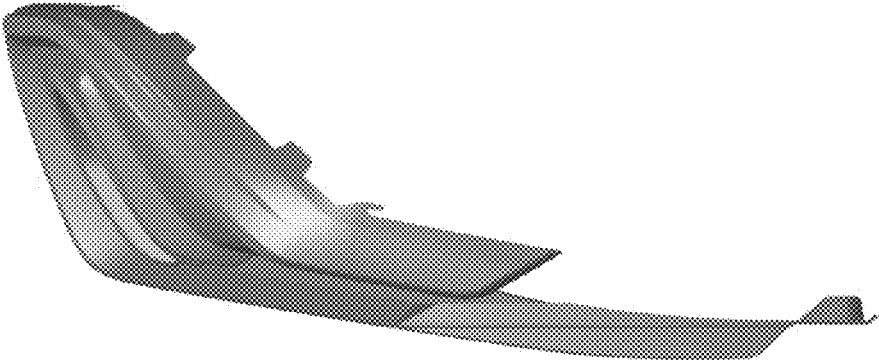
1.2



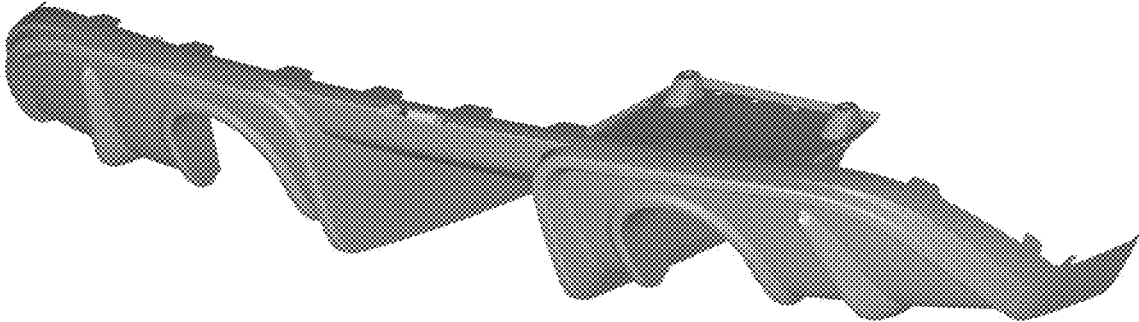
1.3



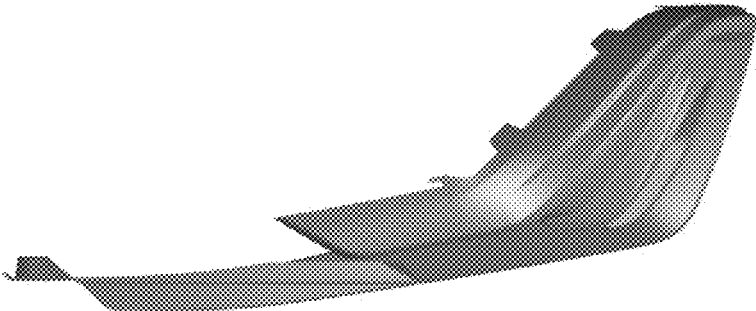
1.4



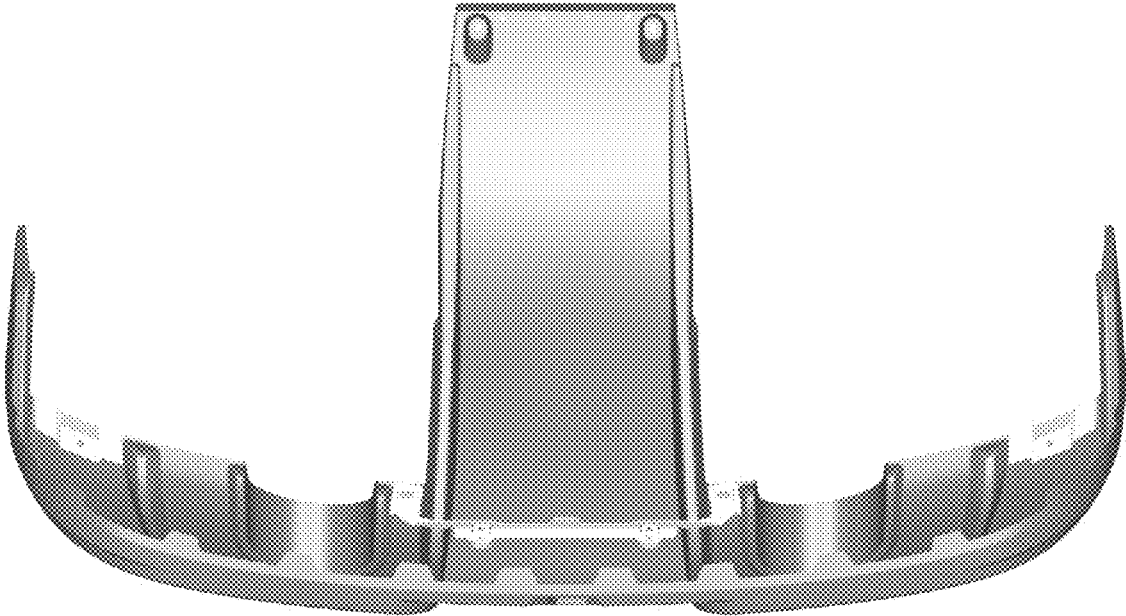
1.5



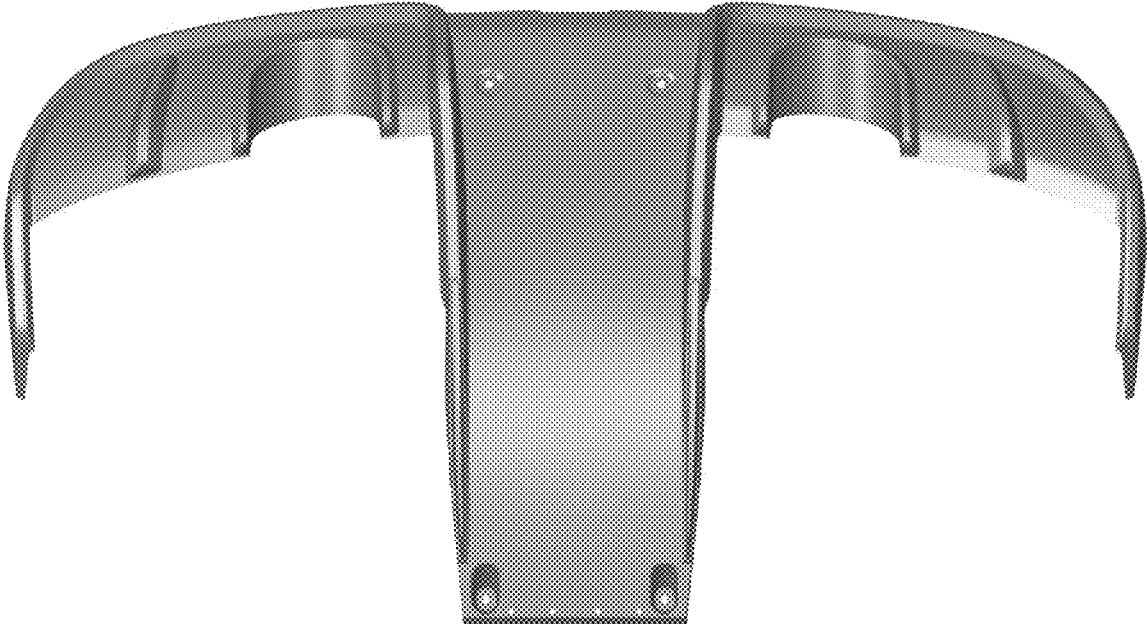
1.6



1.7



1.8



1.9

