



US0D1042803S

(12) **United States Design Patent**
Edwald et al.

(10) **Patent No.:** **US D1,042,803 S**

(45) **Date of Patent:** **** Sep. 17, 2024**

(54) **AUTOINJECTOR HOUSING**

(71) Applicant: **Alvotech HF**, Reykjavik (IS)

(72) Inventors: **Elin Edwald**, Reykjavik (IS); **Hildur Zoega**, Reykjavik (IS)

(73) Assignee: **Alvotech HF**, Reykjavik (IS)

(**) Term: **15 Years**

(21) Appl. No.: **29/821,710**

(22) Filed: **Dec. 31, 2021**

(51) **LOC (14) Cl.** **24-02**

(52) **U.S. Cl.** **D24/113**

USPC **D24/113**

(58) **Field of Classification Search**

USPC D24/112–114, 133, 186, 127–131, 144;
D19/115–123, 177, 193

CPC A61M 5/3156; A61M 5/31591; A61M
5/3155; A61M 5/3157; A61M 5/24;

A61M 5/31501; A61M 5/31551; A61M
5/31585

See application file for complete search history.

(56) **References Cited**

U.S. PATENT DOCUMENTS

8,734,402 B2	5/2014	Sharp et al.	
9,265,887 B2	2/2016	Julian et al.	
D758,567 S	6/2016	Wohlfahrt	
D758,568 S	6/2016	Wohlfahrt	
D758,569 S	6/2016	Wohlfahrt	
D758,570 S	6/2016	Wohlfahrt	
D780,909 S	3/2017	Burkett	
D794,777 S	8/2017	Daniel	
D808,010 S	1/2018	Denzer et al.	
9,895,493 B2	2/2018	Burnell et al.	
D814,022 S	3/2018	Boyaval	
9,943,649 B2	4/2018	Shang et al.	
D819,198 S *	5/2018	Boyaval	D24/113
D819,200 S	5/2018	Stonecipher	

D830,539 S *	10/2018	Boyaval	D24/113
10,092,706 B2	10/2018	Denzer et al.	
D857,192 S	8/2019	Burkett	
D866,751 S	11/2019	Rogge	
D866,757 S	11/2019	Diluzio	
10,463,793 B2	11/2019	Chang et al.	
D868,961 S	12/2019	Stewart	

(Continued)

FOREIGN PATENT DOCUMENTS

EM	009073919-0002	*	7/2022
GB	2486690 A		6/2012

(Continued)

OTHER PUBLICATIONS

Global Autoinjectors Market | Industry Analysis Report 2030, [post date: Jan. 27, 2022], [Site seen: Apr. 17, 2024], Seen at URL: <https://www.vynzresearch.com/healthcare/autoinjectors-market> (Year: 2022).*

(Continued)

Primary Examiner — Natasha Vujcic

Assistant Examiner — Gilbert B Ford

(74) *Attorney, Agent, or Firm* — Element IP, PLC

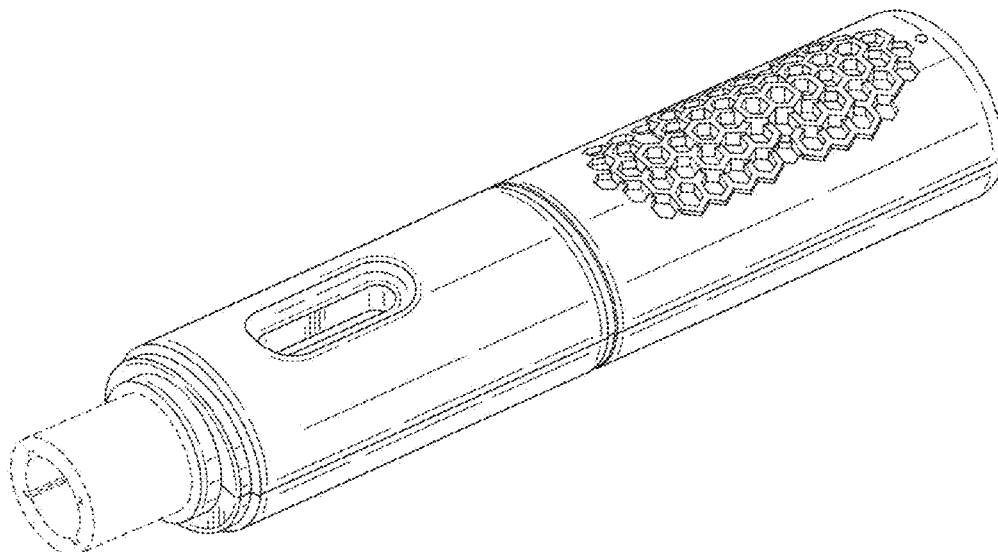
(57) **CLAIM**

The ornamental design for an autoinjector housing, as shown and described.

DESCRIPTION

FIG. 1 is a perspective view of an autoinjector housing, without a cap, showing our new design; FIG. 2 is a front view thereof; FIG. 3 is a rear view thereof; FIG. 4 is a right side view thereof; FIG. 5 is a left side view thereof; FIG. 6 is a top view thereof; and, FIG. 7 is a bottom view thereof.

1 Claim, 3 Drawing Sheets



(56)

References Cited

U.S. PATENT DOCUMENTS

D870,270 S 12/2019 Burkett
 D878,560 S 3/2020 Boyaval
 D882,071 S * 4/2020 Stonecipher D24/113
 D883,475 S 5/2020 Boyaval
 D886,281 S * 6/2020 Boyaval D24/113
 10,709,844 B2 7/2020 Sund et al.
 D892,311 S 8/2020 Nicholas
 D892,312 S 8/2020 Nicholas
 D898,189 S * 10/2020 Boyaval D24/113
 D908,867 S 1/2021 Nicholas
 10,881,813 B2 1/2021 Säll
 D922,567 S 6/2021 Boyaval
 D946,141 S 3/2022 Krulevitch
 D962,423 S * 8/2022 Melander D24/113
 D973,866 S * 12/2022 Bourelle D24/113
 D974,547 S * 1/2023 O'Malley D24/113
 D985,116 S * 5/2023 Davis D24/113
 D985,118 S 5/2023 Davis
 D985,119 S 5/2023 Melander
 D990,668 S * 6/2023 Bourelle D24/113
 D992,109 S * 7/2023 O'Malley D24/113
 D1,001,272 S 10/2023 Boyaval
 D1,004,078 S 11/2023 Finkelstein
 2011/0092915 A1 4/2011 Olson et al.
 2011/0144594 A1 6/2011 Sund et al.
 2012/0004608 A1 1/2012 Lesch, Jr.
 2013/0060231 A1 3/2013 Adlon
 2016/0008542 A1 1/2016 Hirschel et al.

2017/0361025 A1 12/2017 Cowe
 2019/0266921 A1 8/2019 Chang
 2020/0179611 A1 6/2020 Holmqvist
 2021/0093792 A1 4/2021 Finkelstein
 2021/0093797 A1 4/2021 Finkelstein
 2022/0387719 A1 12/2022 Wang
 2022/0401650 A1 12/2022 Poder
 2023/0211085 A1 * 7/2023 Edwald A61M 5/20
 604/131
 2023/0330341 A1 10/2023 Stout

FOREIGN PATENT DOCUMENTS

RU 00130681 * 4/2022
 WO WO-2008113199 A1 9/2008

OTHER PUBLICATIONS

Anitha Ray, et al., "Autoinjector—A smart Device for emergency cum personal therapy", Saudi Pharmaceutical Journal, [Post date Oct. 1, 2021], [Site seen: Apr. 17, 2024], Seen at URL: <https://www.sciencedirect.com/science/article/pii/S1319016421001821> (Year: 2021).*

"Healthcare Arthritis Injections Product Design _ Smart Design.", Retrieved on Apr. 8, 2024 from Internet: <https://smartdesignworldwide.com/projects/ucb-ra-injectors/>, Archived on Internet Archive, Apr. 18, 2018, 10 pages.

* cited by examiner

FIG. 2

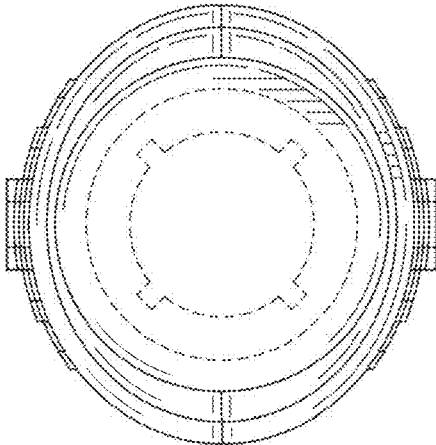


FIG. 1

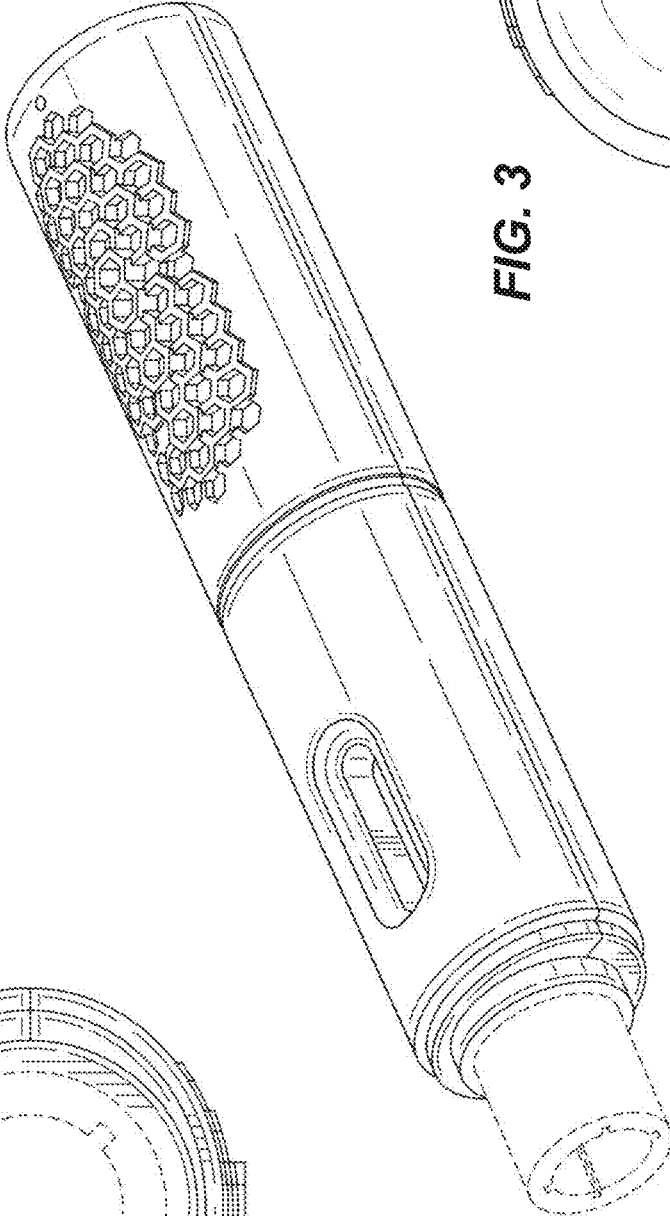
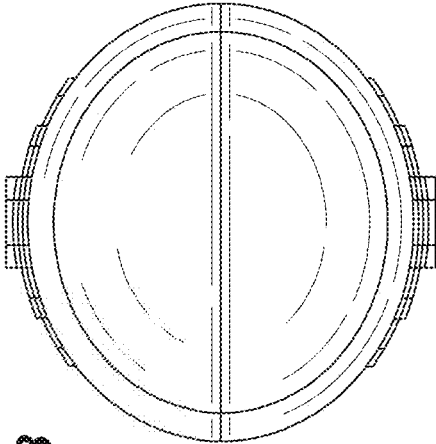


FIG. 3



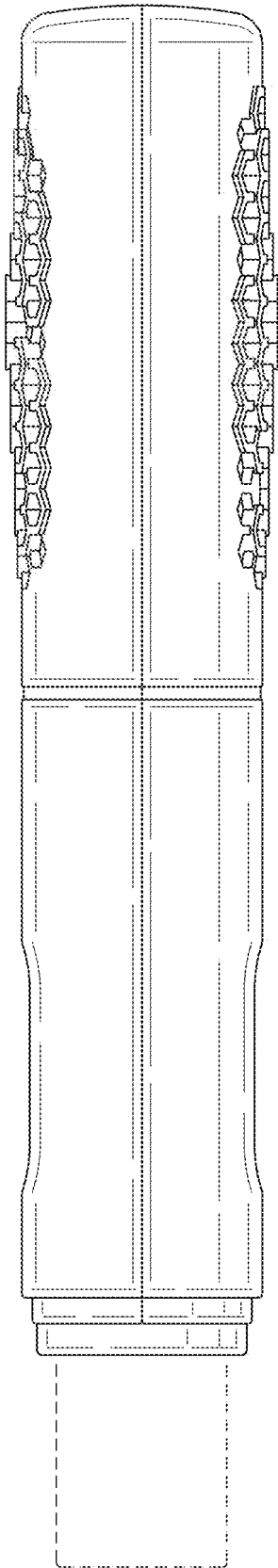


FIG. 4

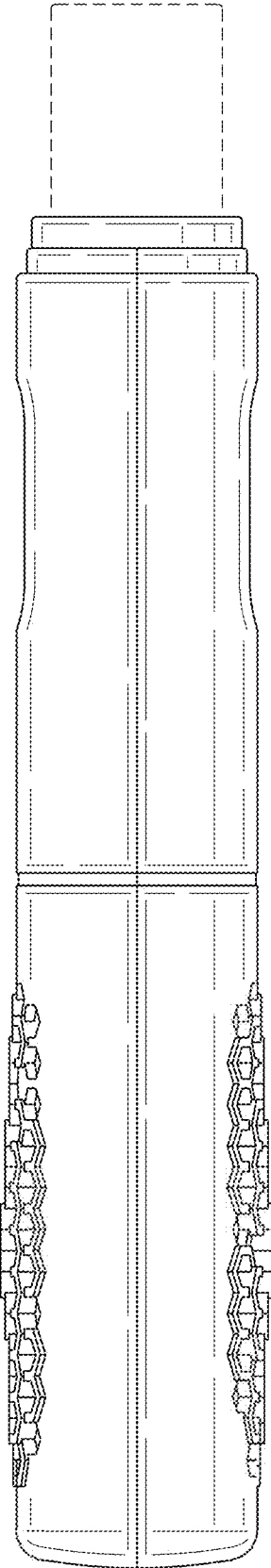


FIG. 5

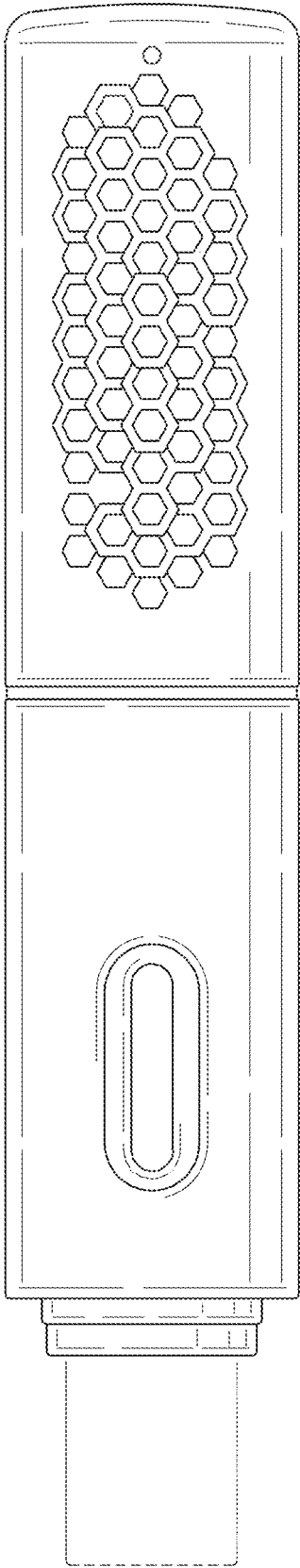


FIG. 6

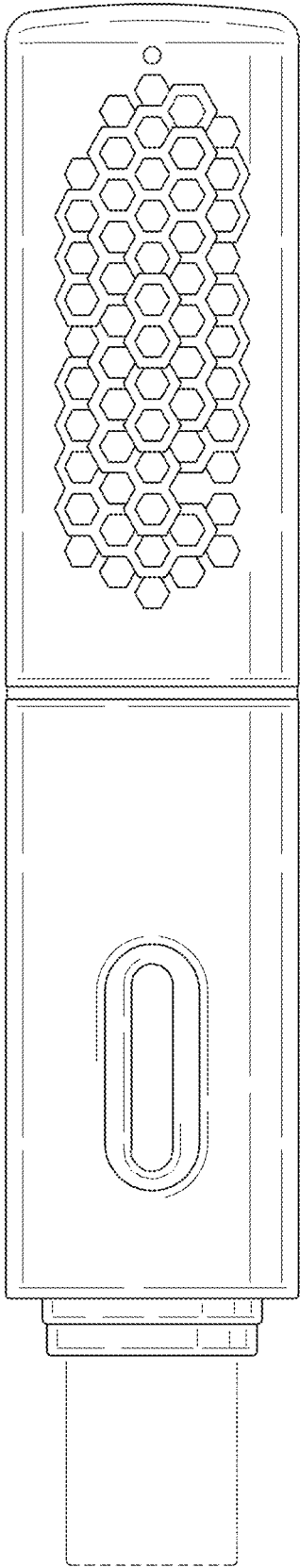


FIG. 7