



US00D940413S

(12) **United States Design Patent**
Zou

(10) **Patent No.:** **US D940,413 S**

(45) **Date of Patent:** **** Jan. 4, 2022**

- (54) **VACUUM CLEANER**
- (71) Applicant: **Suzhou CHO Electric Appliance Co., Ltd., Jiangsu (CN)**
- (72) Inventor: **Zongbin Zou, Sichuan (CN)**
- (73) Assignee: **Suzhou CHO Electric Appliance Co., Ltd., Suzhou (CN)**
- (**) Term: **15 Years**

D927,804 S * 8/2021 Song D32/18
 D929,685 S * 8/2021 Choi D32/18
 D929,686 S * 8/2021 Uim D32/18
 D930,296 S * 9/2021 Song D32/18
 (Continued)

FOREIGN PATENT DOCUMENTS

JP D1642269 * 9/2019
 KR 301034790.0000 * 12/2019
 (Continued)

OTHER PUBLICATIONS

WOWGO Cordless Stick Vacuum Cleaner, available in Amazon.com, customer review oldest date Jan. 13, 2020 [online], [site visited Feb. 19, 2021], Available from the internet URL: https://www.amazon.com/gp/product/B081GW92F5/ref=as_li_ss_tl?ie=UTF8&psc=1&linkCode=sll&tag=xennial01-20&linkId=b82a21661e683d18f098f7587bfe4f30&language=en_US (Year: 2020)*
 (Continued)

Primary Examiner — Dana K Weiland
Assistant Examiner — Jennylou M Binas

(57) **CLAIM**

The ornamental design for a vacuum cleaner, as shown and described.

DESCRIPTION

FIG. 1 is a perspective view of a vacuum cleaner showing my new design;
 FIG. 2 is a front view thereof;
 FIG. 3 is a back view thereof;
 FIG. 4 is a left view thereof;
 FIG. 5 is a right view thereof;
 FIG. 6 is a top view thereof; and,
 FIG. 7 is a bottom view thereof.
 The broken lines in the figures show portions of the vacuum cleaner that form no part of the claimed design.

1 Claim, 7 Drawing Sheets

(21) Appl. No.: **29/687,537**

(22) Filed: **Apr. 12, 2019**

(30) **Foreign Application Priority Data**

Jan. 8, 2019 (CN) 201930008796.9

(51) **LOC (13) CL.** **15-05**

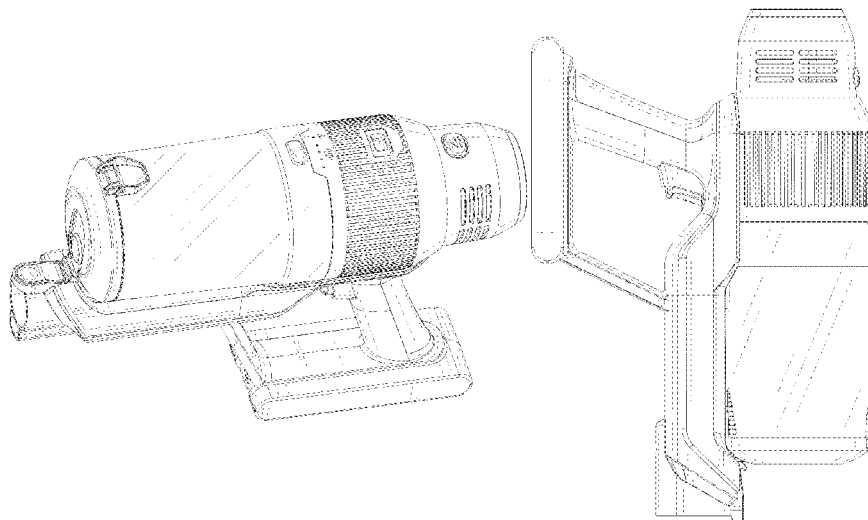
(52) **U.S. CL.**
USPC **D32/18**

(58) **Field of Classification Search**
 USPC D32/17, 18, 22, 31; D21/526
 CPC A47L 5/24; A47L 5/28; A47L 5/30; A47L 5/34; A47L 5/36; A47L 9/04; A47L 9/102; A47L 9/106; A47L 11/30; A47L 11/302; A47L 11/4005; A47L 11/4008; A47L 11/4044; B04C 5/185; B23Q 11/0046; B23Q 11/0071; E04H 4/1636
 See application file for complete search history.

(56) **References Cited**

U.S. PATENT DOCUMENTS

D191,300 S * 9/1961 Anderson D32/22
 D731,130 S * 6/2015 Dyson D32/18
 D738,052 S * 9/2015 Kim D32/18
 D844,912 S * 4/2019 Gammack D32/18
 D871,695 S * 12/2019 Niedzwecki D32/22
 D897,616 S * 9/2020 Chen D32/22
 D924,503 S * 7/2021 Xu D32/18
 D927,110 S * 8/2021 Ma D32/22
 D927,803 S * 8/2021 Zou D32/18



(56)

References Cited

U.S. PATENT DOCUMENTS

2017/0209014 A1* 7/2017 Stickney A47L 9/242
2018/0055313 A1* 3/2018 Yang A47L 9/02
2019/0029487 A1* 1/2019 Zhou A47L 5/26
2019/0387943 A1* 12/2019 Kim A47L 5/24
2020/0029760 A1* 1/2020 Seo A47L 11/2025
2020/0163509 A1* 5/2020 Percy-Raine B01D 46/0056
2020/0245833 A1* 8/2020 Lee A47L 9/1683

FOREIGN PATENT DOCUMENTS

KR 301053712.0000 * 4/2020
KR 301071119.0000 * 8/2020

OTHER PUBLICATIONS

ORFELD Cordless Stick Vacuum, available in Amazon.com, customer review oldest date May 20, 2020 [online], [site visited Feb. 19, 2021], Available from the internet URL: https://www.amazon.com/ORFELD-Cordless-Lithium-ion-Batteries-Japanese/dp/B08736YYC5/ref=sr_1_9?dchild=1&keywords=WOWGO+Cordless+Stick+Vacuum+Cleaner&qid=1613749308&s=home-garden&sr=1-9 (Year: 2020).*

JASHEN V18 Cordless Vacuum Cleaner, available in Amazon.com, customer review oldest date Dec. 1, 2020 [online], [site visited Feb. 19, 2021], Available from the internet URL: <https://www.geekbuying.com/item/JASHEN-V18-Cordless-Vacuum-Cleaner--350W-Power-Strong-Suction-Blue-426618.html> (Year: 2020).*

* cited by examiner

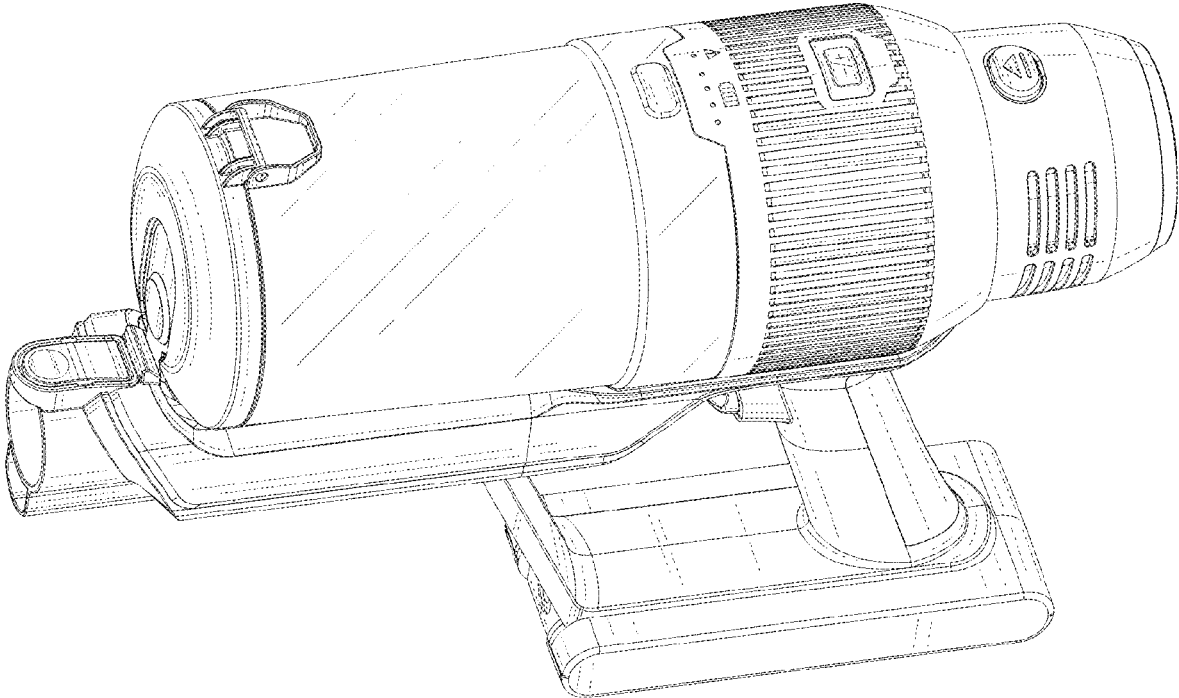


FIG. 1

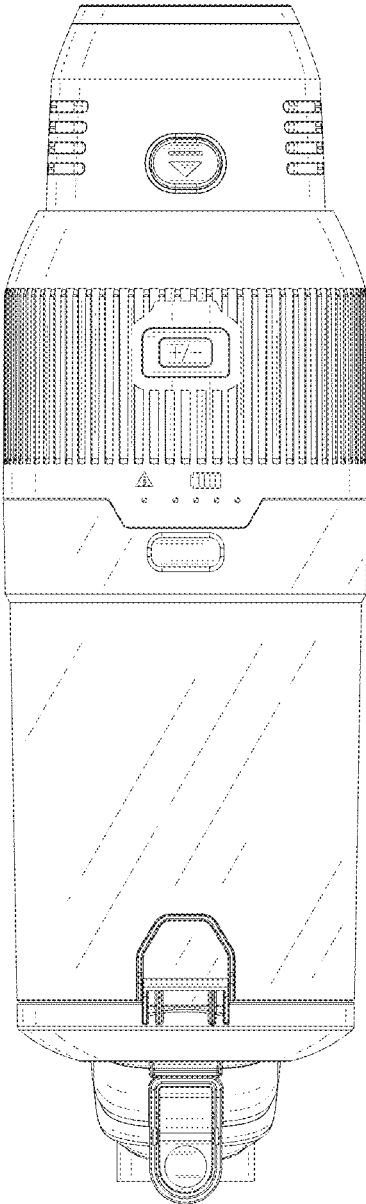


FIG. 2

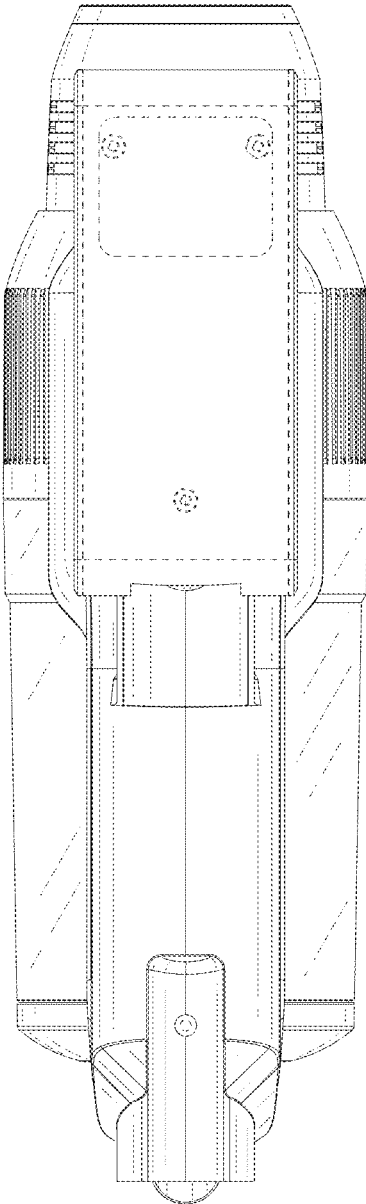


FIG. 3

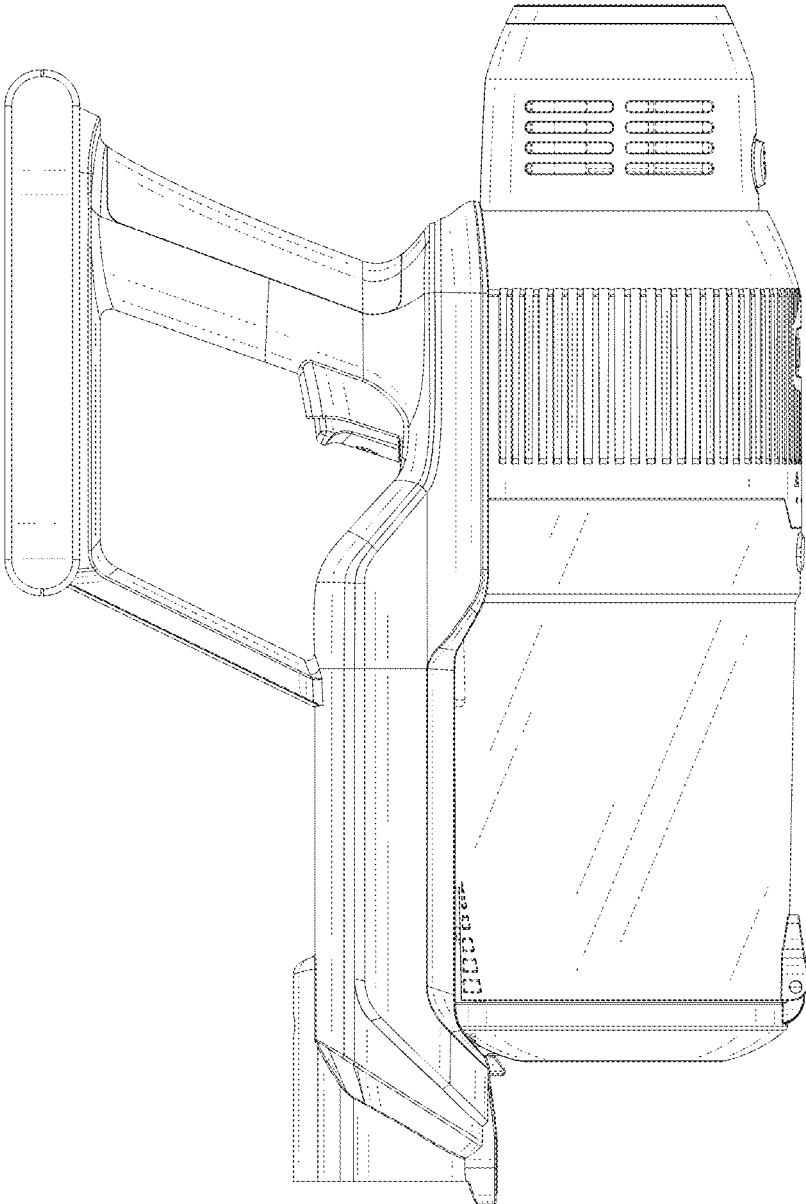


FIG. 4

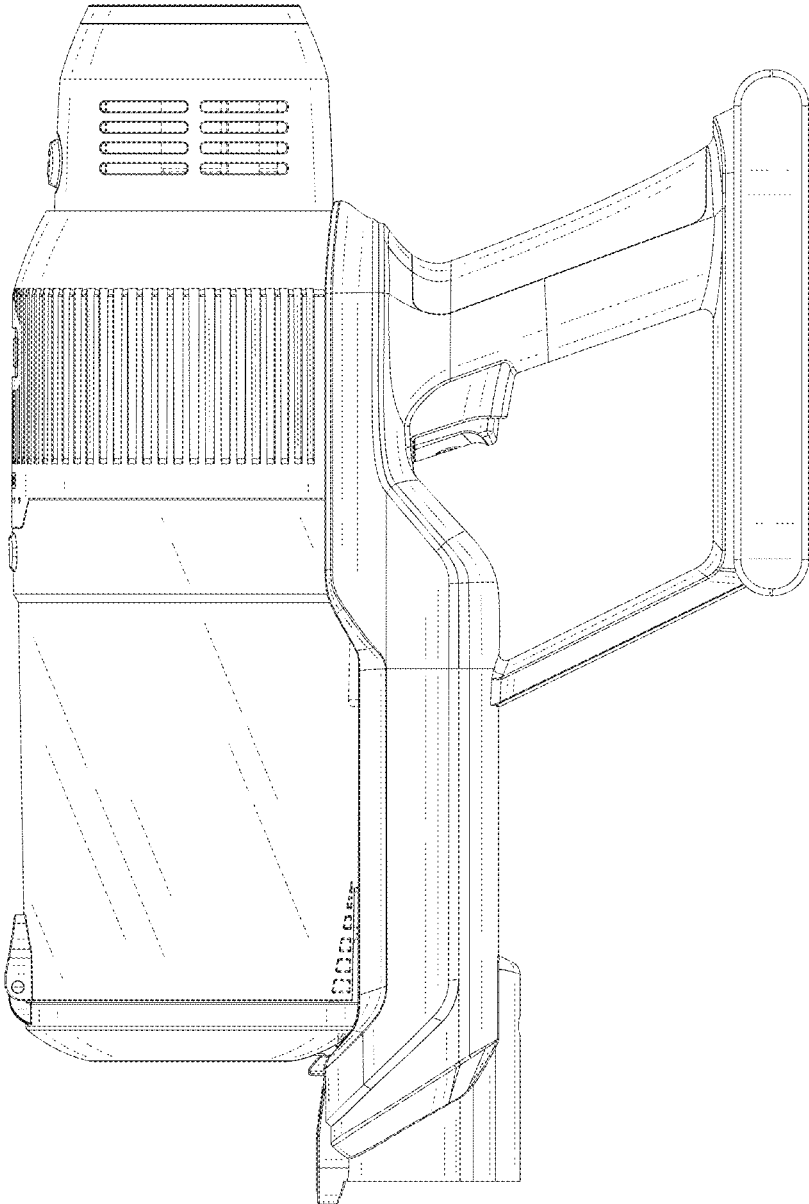


FIG. 5

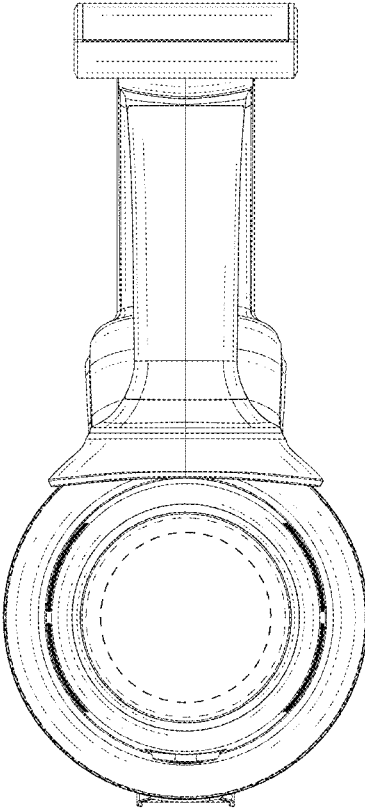


FIG. 6

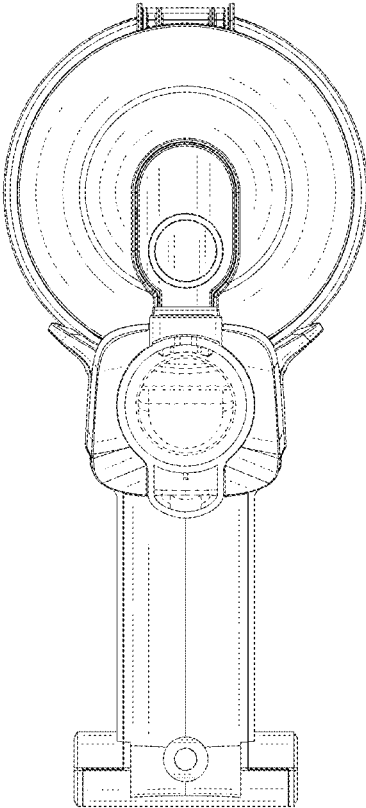


FIG. 7