



US00D519409S

(12) **United States Design Patent**
Sporn

(10) **Patent No.:** **US D519,409 S**

(45) **Date of Patent:** **** Apr. 25, 2006**

(54) **BUCKLE**

(76) Inventor: **Joseph S. Sporn**, 274 W. 86th St., New York, NY (US) 10024

(**) Term: **14 Years**

(21) Appl. No.: **29/216,265**

(22) Filed: **Nov. 1, 2004**

(51) **LOC (8) Cl.** **02-07**

(52) **U.S. Cl.** **D11/216**

(58) **Field of Classification Search** D11/200,
D11/201, 208–210, 212–218, 220, 230–234,
D11/236, 237, 86–87, 94; 63/15.2, 15; 24/307,
24/625, 616, 200, 196, 171, 169, 112, 614,
24/615

See application file for complete search history.

(56)

References Cited

U.S. PATENT DOCUMENTS

- D364,125 S * 11/1995 Anscher D11/216
- D381,936 S * 8/1997 Anscher D11/216
- D471,486 S * 3/2003 Uehara et al. D11/216

* cited by examiner

Primary Examiner—Ralf Seifert

(74) *Attorney, Agent, or Firm*—Richard W. Hanes; Hanes & Schutz, LLC

(57)

CLAIM

The ornamental design for a buckle, as shown and described.

DESCRIPTION

FIG. 1 is a perspective view of the buckle body of the present invention taken from a first end of the buckle body with the strap environment of the buckle shown in dashed lines.

FIG. 2 is a perspective view of the buckle body of the present invention taken from a second end of the buckle body.

FIG. 3 is a top view of the buckle body.

FIG. 4 is a bottom view of the buckle body.

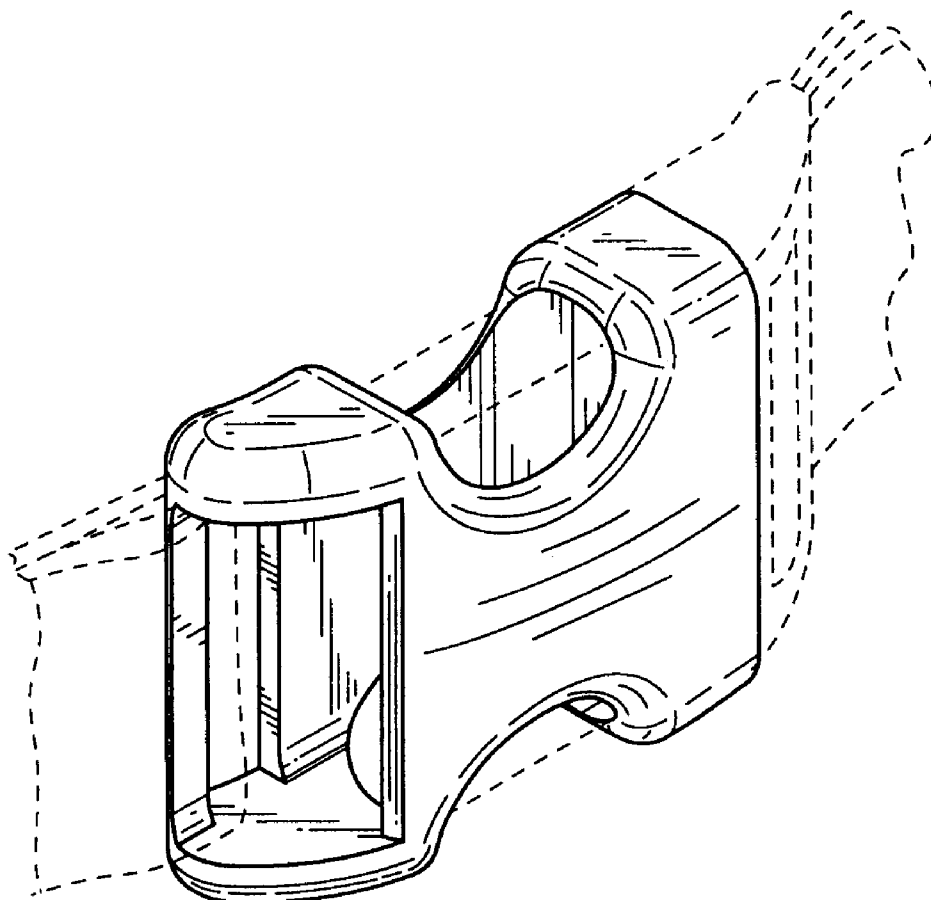
FIG. 5 is a view of the first end of the buckle body.

FIG. 6 is a view of the second end of the buckle body.

FIG. 7 is a side view of the buckle body; and,

FIG. 8 is a side view of the side opposite to that shown in FIG. 7.

1 Claim, 3 Drawing Sheets



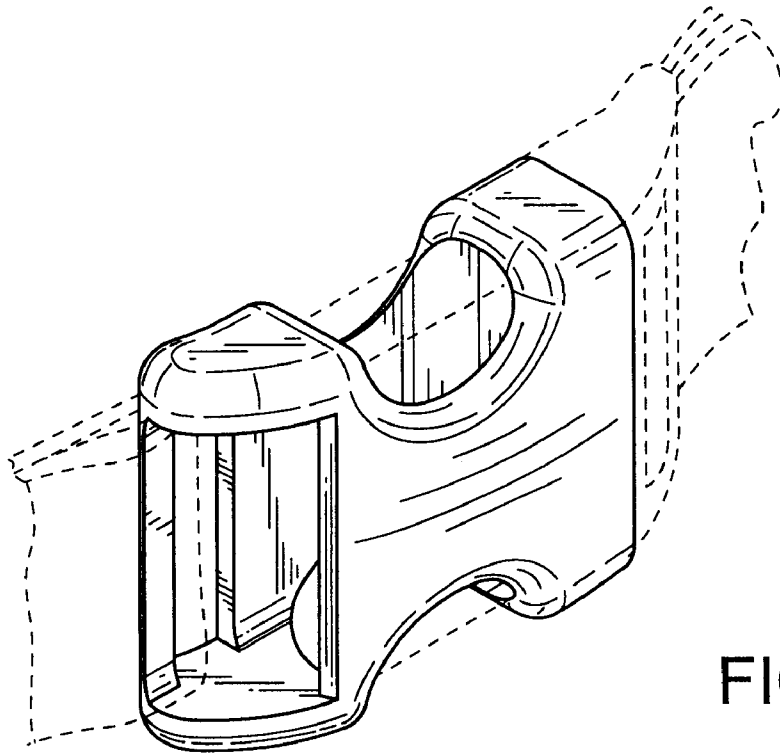


FIG.1

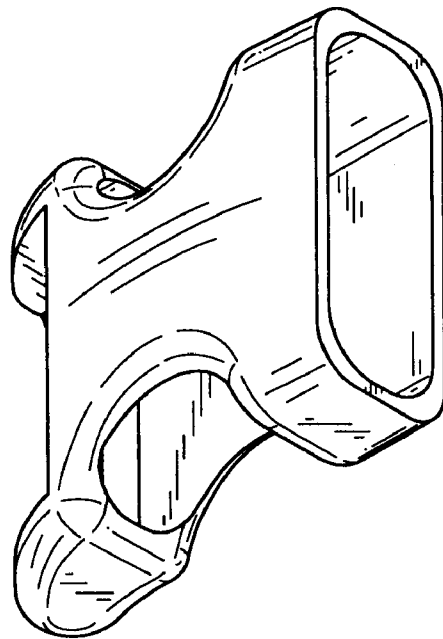


FIG.2

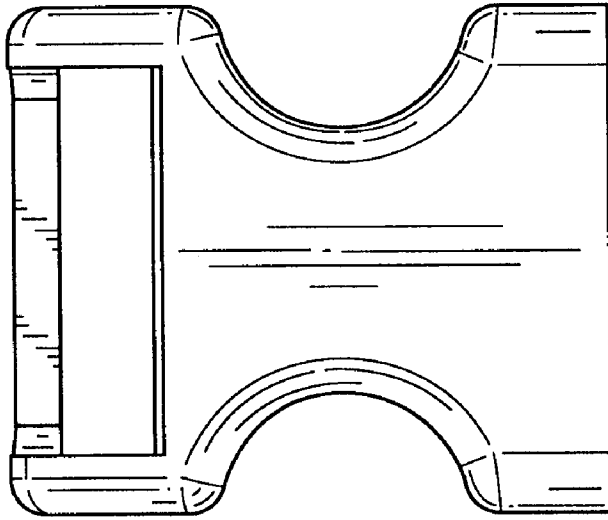


FIG.3

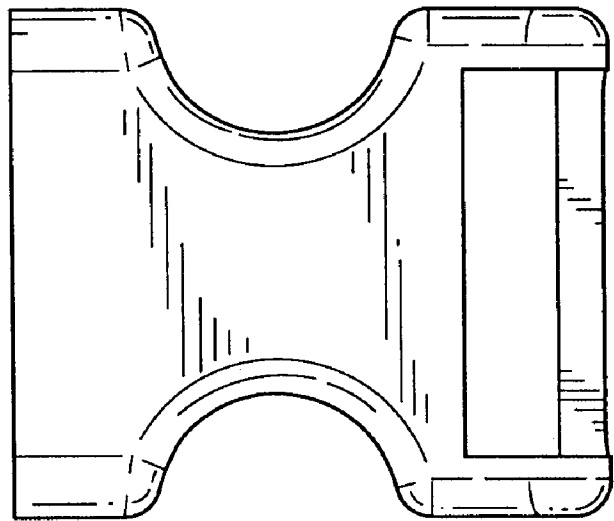


FIG.4

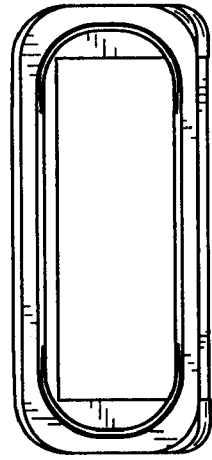


FIG.5



FIG.6

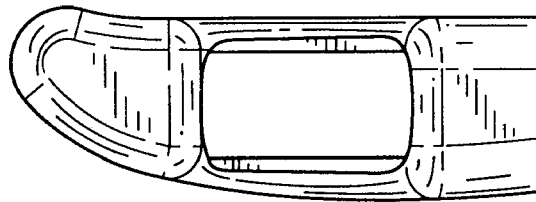


FIG.7

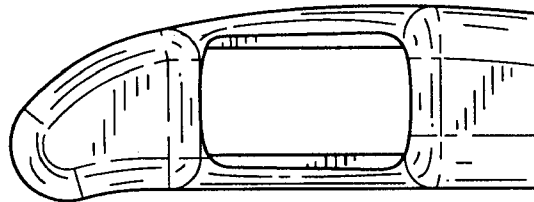


FIG.8