



(12) **United States Design Patent**
Balvidares

(10) **Patent No.:** **US D967,117 S**
(45) **Date of Patent:** **** Oct. 18, 2022**

(54) **SUPPORT**

(71) Applicant: **Facundo Balvidares**, Santa Fe (AR)

(72) Inventor: **Facundo Balvidares**, Santa Fe (AR)

(**) Term: **15 Years**

(21) Appl. No.: **29/773,405**

(22) Filed: **Mar. 9, 2021**

(30) **Foreign Application Priority Data**

Sep. 10, 2020 (AR) 39267192

(51) **LOC (13) Cl.** **08-07**

(52) **U.S. Cl.**
USPC **D14/447**; D8/349

(58) **Field of Classification Search**
USPC D14/447, 432, 434, 439, 440, 451, 452,
D14/457, 239; D8/363, 373, 380, 349;
D6/406.3, 406.4, 406.5, 406.6; D12/415;
D16/242

CPC A47B 21/04; A47B 2097/006; A47B
2097/005; A47B 2023/049; A45C
2011/002; A45C 2011/003; F16M
2200/00; F16M 13/00; B60R 11/0241;
B60R 2011/0005; B60R 2011/0063;
B60R 2011/007

See application file for complete search history.

(56) **References Cited**

U.S. PATENT DOCUMENTS

1,893,720	A *	1/1933	Vandervoort	A47B 21/04	312/307
D206,541	S *	12/1966	Hylar	D3/229	
D348,355	S *	7/1994	Scheid	D3/218	
D359,616	S *	6/1995	Ishibashi	D3/218	
D368,508	S *	4/1996	Garrett	D20/22	
D405,224	S *	2/1999	Falconio	D8/395	
D427,590	S *	7/2000	Mou	D14/143	

D430,252	S *	8/2000	Grove	D21/796	
D443,329	S *	6/2001	Helmreich	D21/796	
D457,308	S *	5/2002	Infanti	D3/218	
D467,068	S *	12/2002	Lewis	D3/215	
D471,547	S *	3/2003	Ruohonen	D14/253	
6,705,497	B1 *	3/2004	Schuett	A45F 5/021	224/269
6,843,482	B1 *	1/2005	Bayne	F16J 15/002	277/412
D503,085	S *	3/2005	McGrath, Jr.	D8/395	
D507,871	S *	8/2005	DiMarchi	D3/215	
D508,605	S *	8/2005	Hwang	D3/218	
D536,239	S *	2/2007	Tallman	D8/354	
D556,545	S *	12/2007	Titas	D8/354	
D557,117	S *	12/2007	Cannaverde	D8/354	
D628,203	S *	11/2010	Noble	D14/447	
D659,696	S *	5/2012	Lanza	D14/447	
D661,309	S *	6/2012	Murrer	D14/447	
8,523,448	B1 *	9/2013	Damato	F16C 25/083	378/132
D697,517	S *	1/2014	Pressman	D14/484.1	

(Continued)

Primary Examiner — Mark A Goodwin

(74) *Attorney, Agent, or Firm* — Rothwell, Figg, Ernst & Manbeck, P.C.

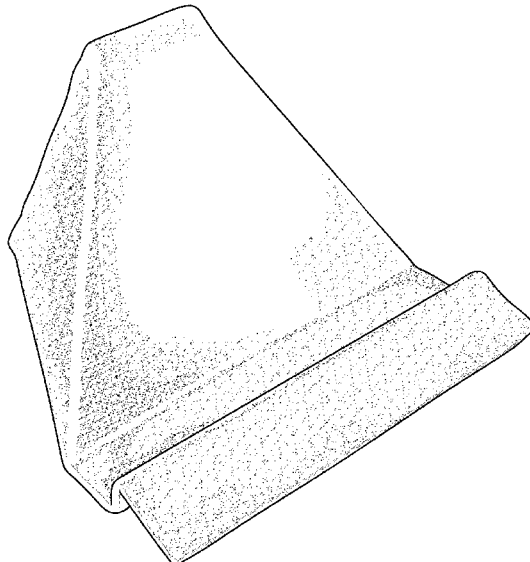
(57) **CLAIM**

The ornamental design for the support, as shown and described.

DESCRIPTION

FIG. 1 is a perspective view of the top, front, and left side of the support;
FIG. 2 is a left side view of the support;
FIG. 3 is a top view of the support;
FIG. 4 is a rear view of the support;
FIG. 5 is a right side view of the support;
FIG. 6 is a front view of the support; and,
FIG. 7 is a perspective view of the top, rear, and right side of the support.

1 Claim, 7 Drawing Sheets



(56)

References Cited

U.S. PATENT DOCUMENTS

D703,215	S	*	4/2014	Alesi	D14/447
D719,961	S	*	12/2014	Xiang	D14/447
D721,498	S	*	1/2015	Holt	D3/318
D729,223	S	*	5/2015	Haarburger	D14/253
D730,888	S	*	6/2015	Malsan	D14/253
D734,305	S	*	7/2015	Wengreen	D14/238.1
D753,982	S	*	4/2016	Guirlinger	D8/349
D763,244	S	*	8/2016	McGarry	D14/253
D763,835	S	*	8/2016	Wengreen	D6/567
D765,063	S	*	8/2016	Wengreen	D6/567
D767,973	S	*	10/2016	DeDios-Shirley	D8/349
D772,859	S	*	11/2016	Alesi	D14/253
D777,167	S	*	1/2017	Wengreen	D14/447
D778,713	S	*	2/2017	McSweyn	D12/415
D797,546	S	*	9/2017	Saideh	D8/354
D798,306	S	*	9/2017	Wengreen	D14/447
D812,371	S	*	3/2018	Horne	D21/796
D839,078	S	*	1/2019	Stahl	D25/199
D840,408	S	*	2/2019	Chen	D14/447
D847,789	S	*	5/2019	Virhiä	D14/217
D854,314	S	*	7/2019	Burns	D3/218
D863,040	S	*	10/2019	DeDios-Shirley	D8/354
D865,770	S	*	11/2019	Igbo-Nwoke	D14/447
D867,435	S	*	11/2019	Wengreen	D16/242
D877,137	S	*	3/2020	Engerman	D14/253
D906,095	S	*	12/2020	DeDios-Shirley	D8/354
D942,983	S	*	2/2022	Wengreen	D14/447
2012/0126081	A1	*	5/2012	Wengreen	F16M 13/02 248/304

* cited by examiner

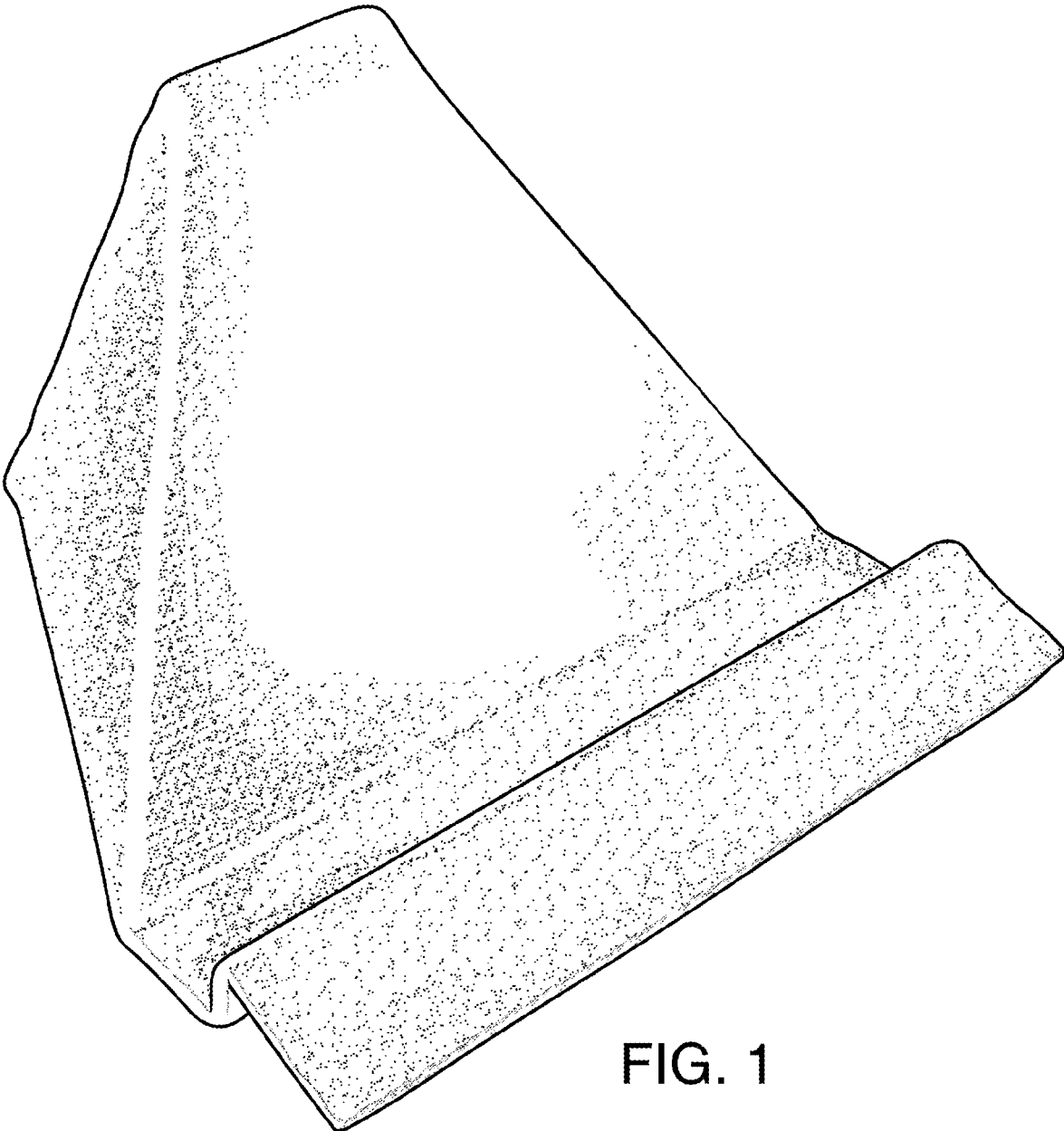


FIG. 1

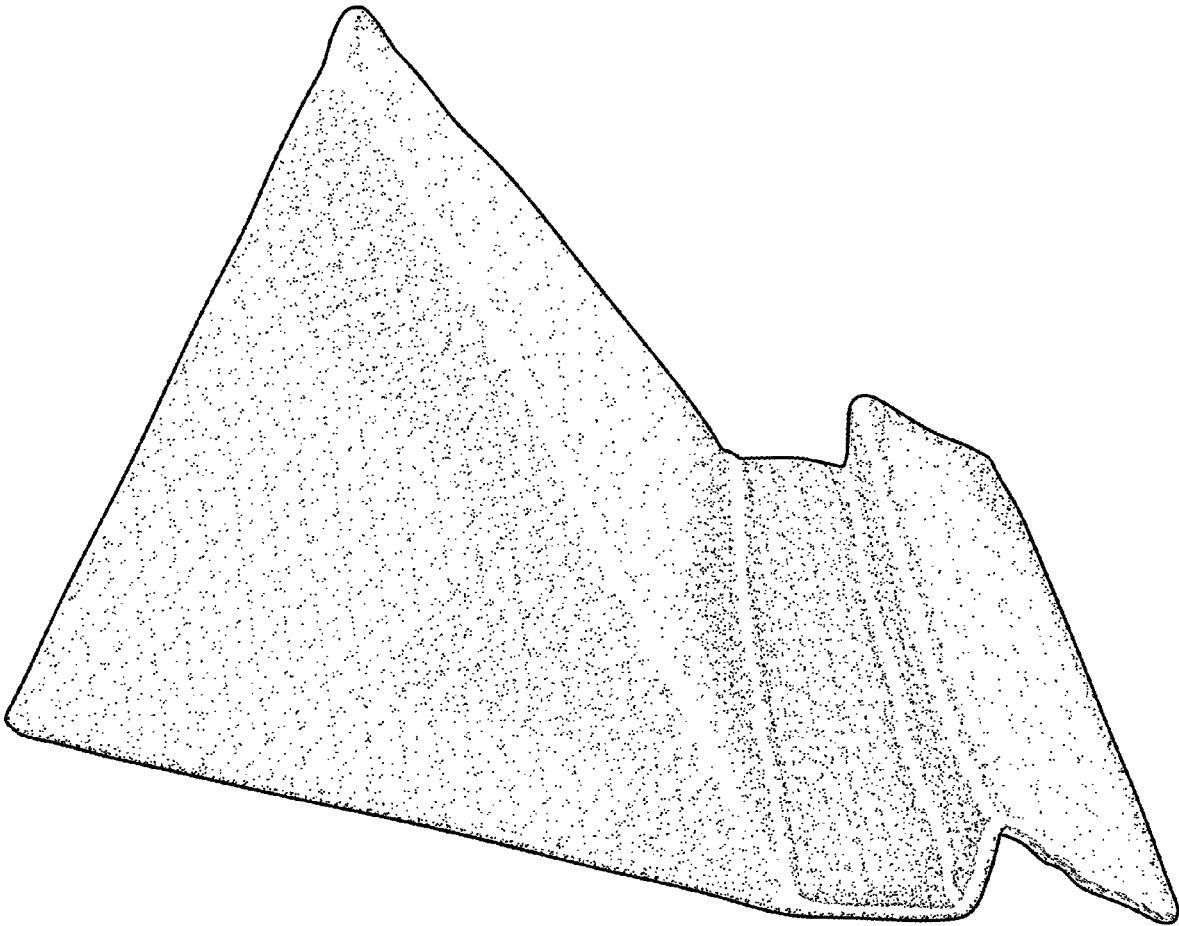


FIG. 2

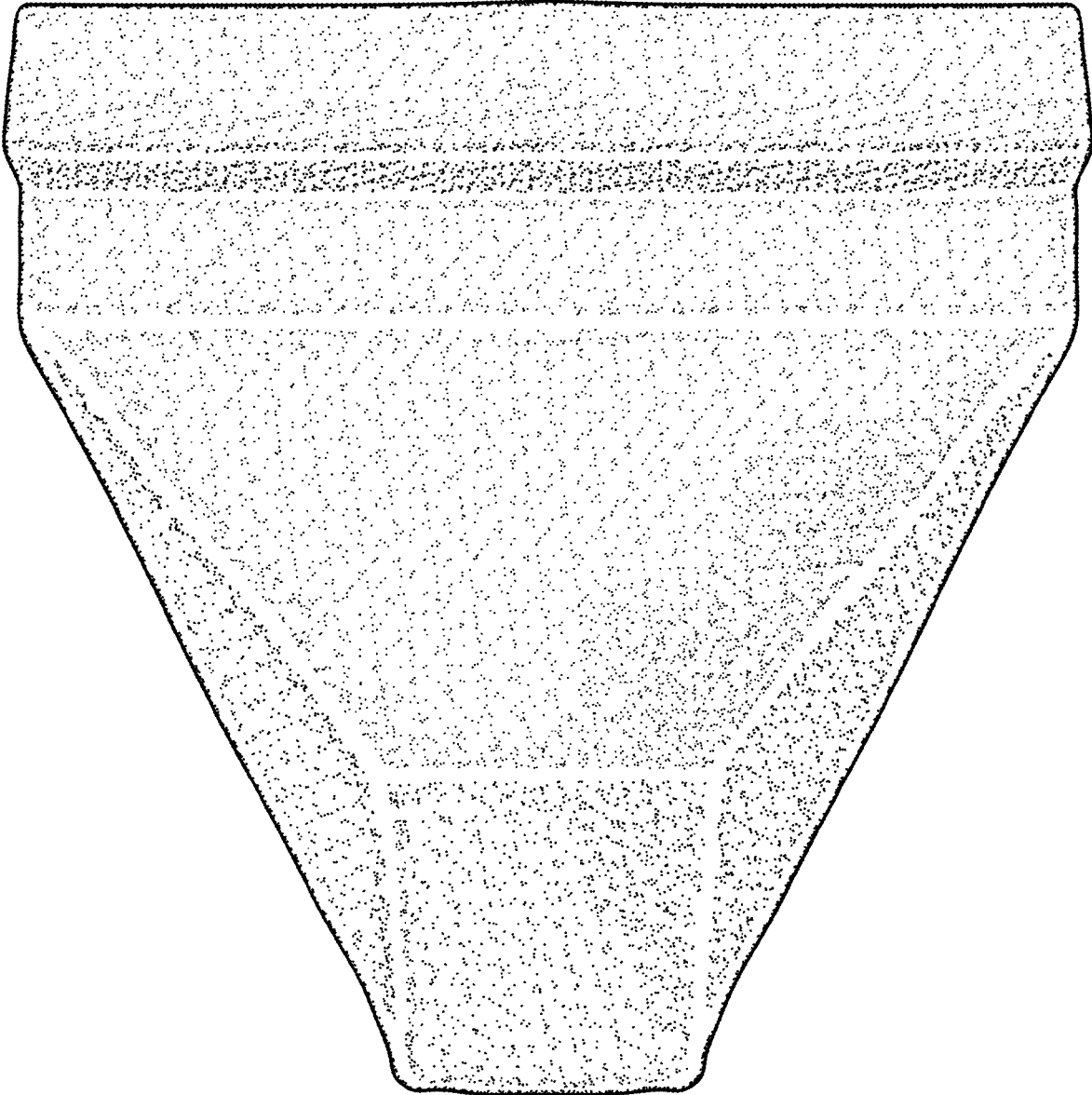


FIG. 3

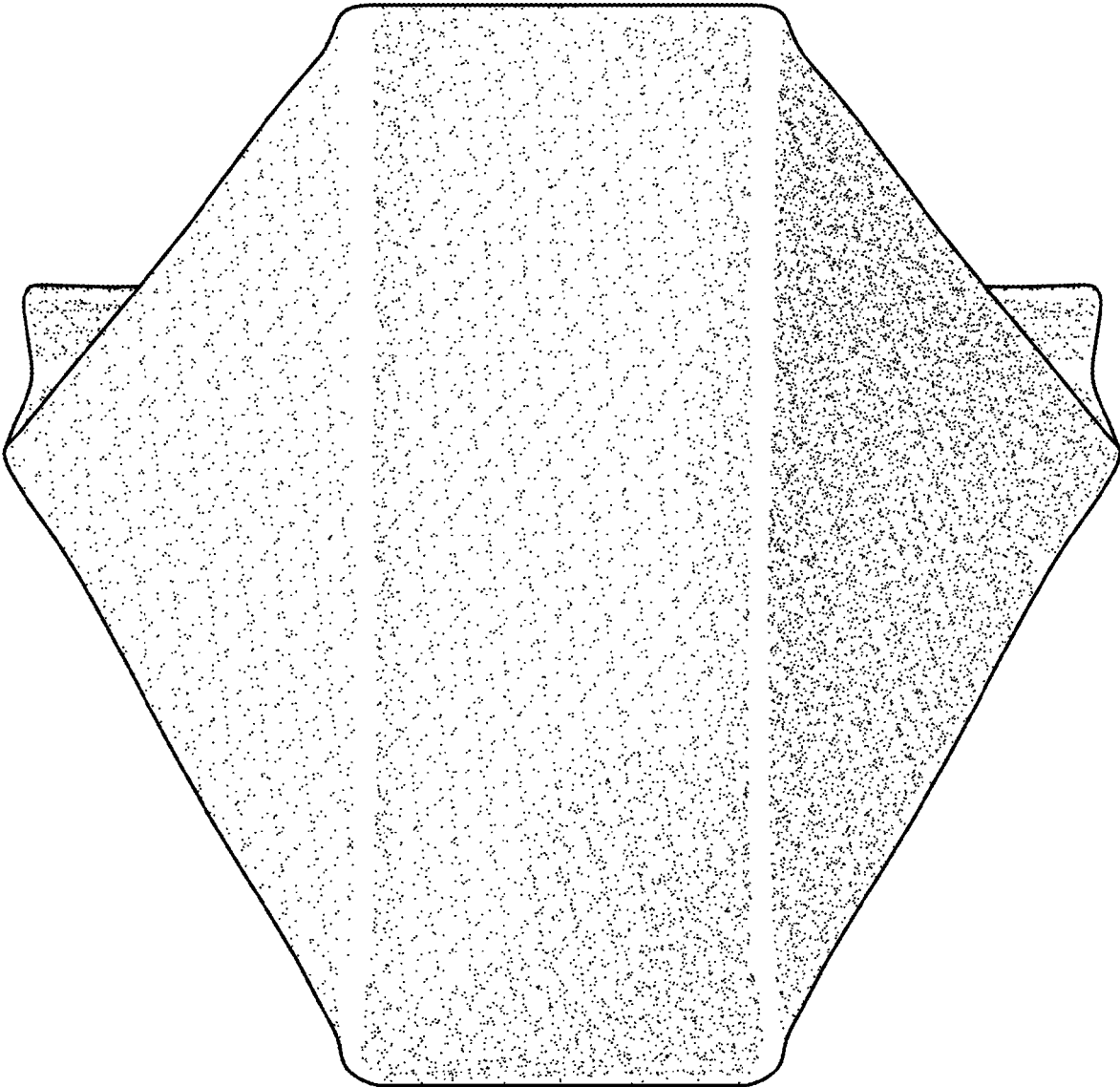


FIG. 4

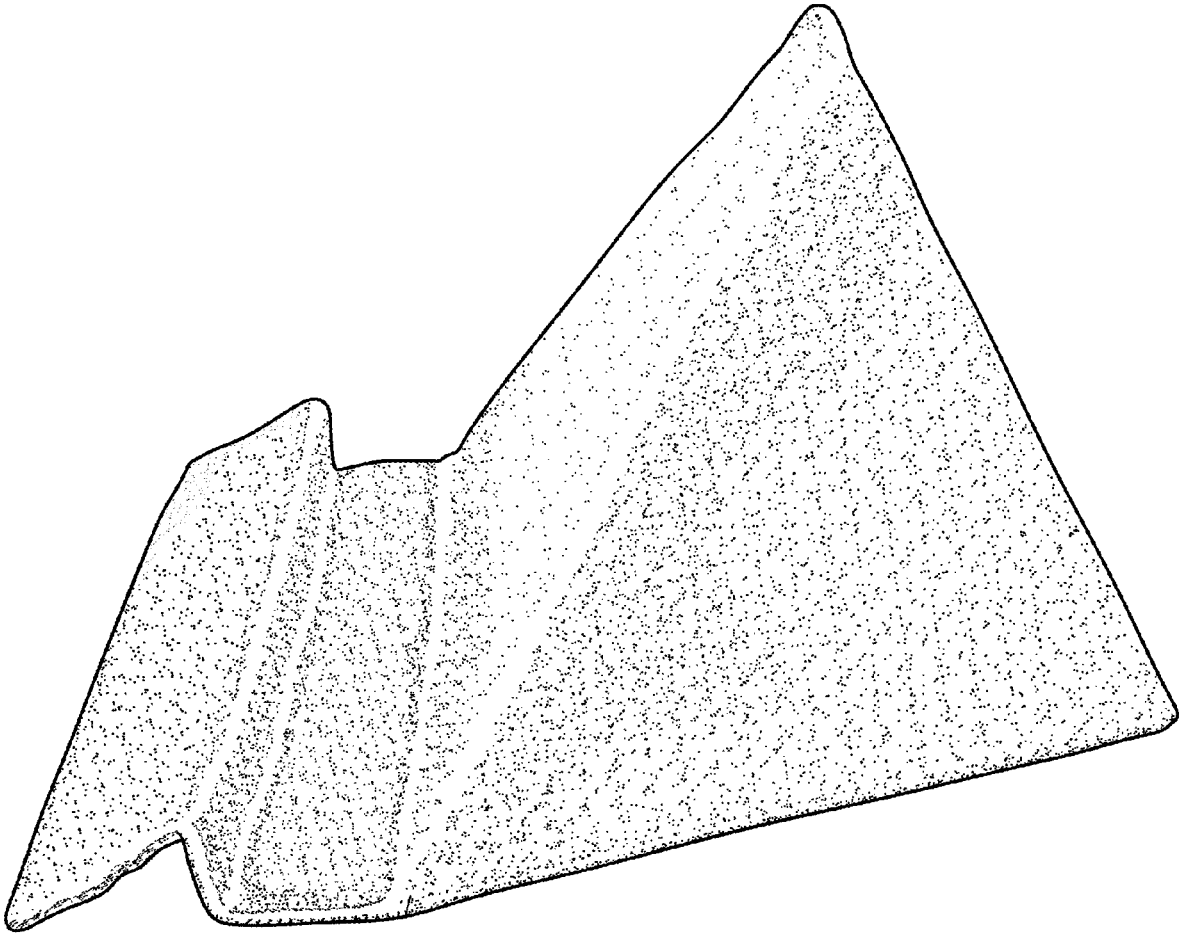


FIG. 5

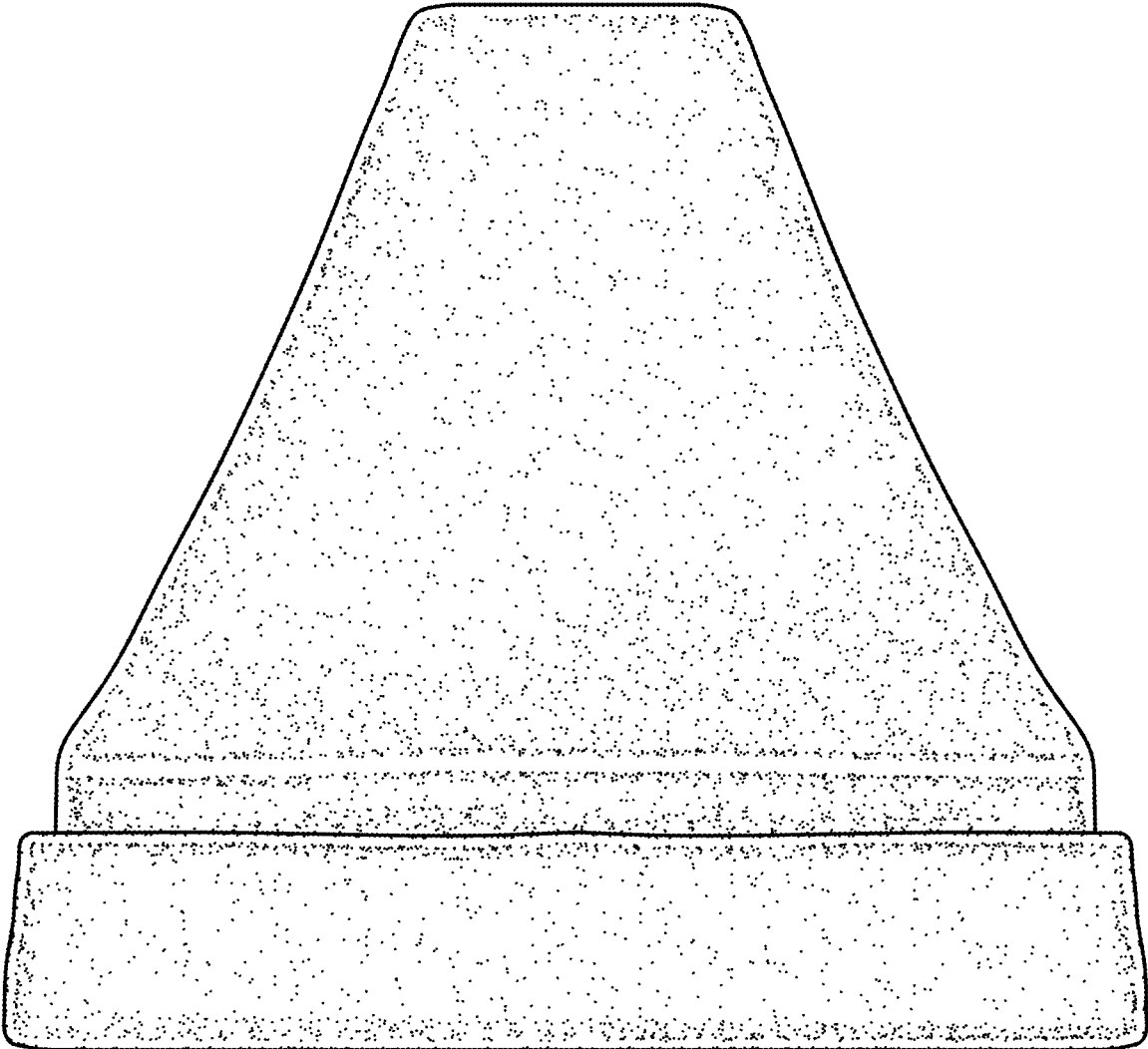


FIG. 6

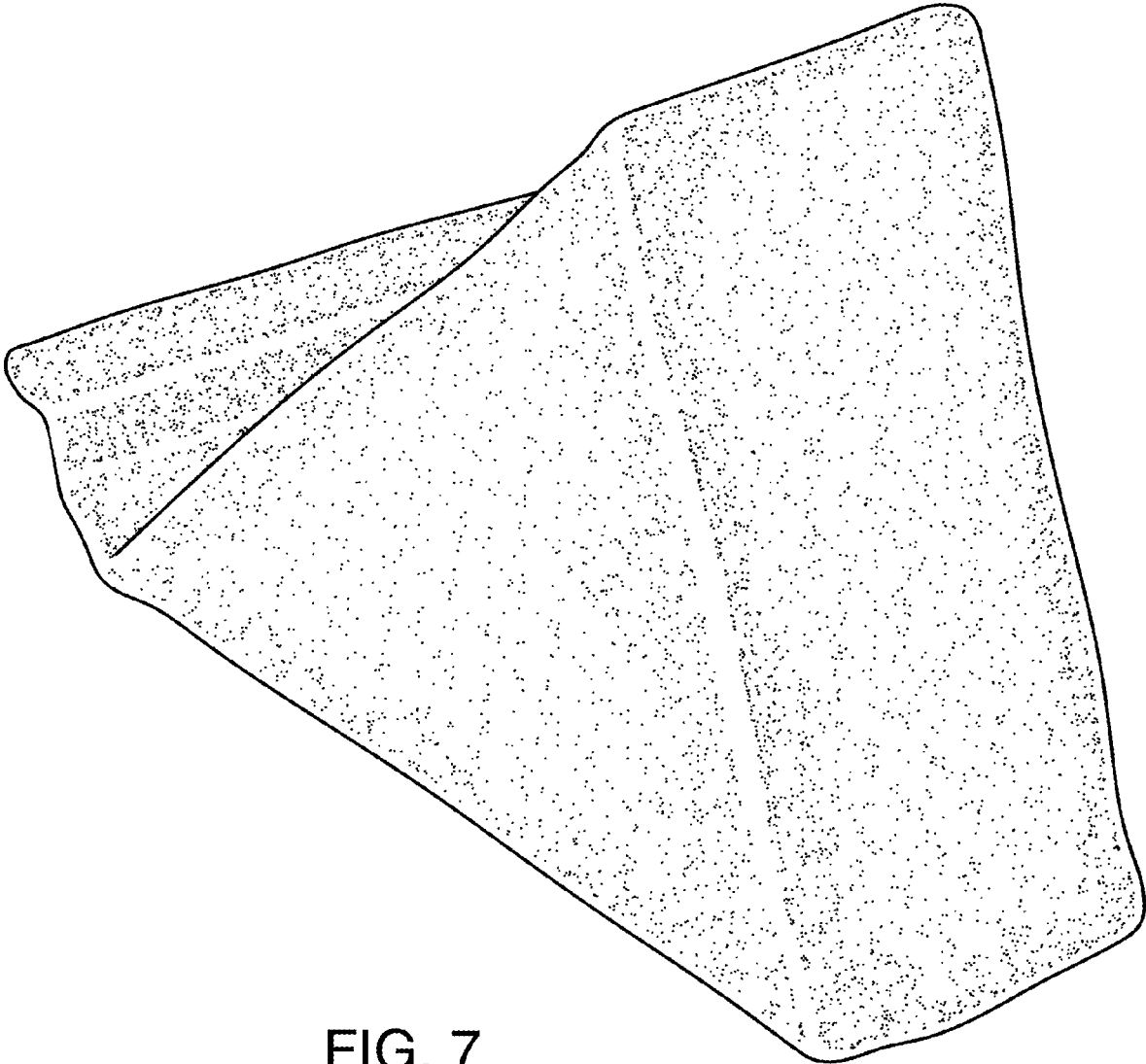


FIG. 7